

Mobile. Absorptive. eXpandable.

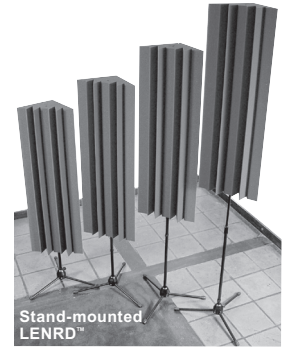
MAX-Wall™

Modular Acoustical Environment

**Thank you for purchasing the Auralex Acoustics MAX-Wall™ Modular Acoustical Environment.
You now have a higher quality recording and listening environment.**



The MAX-Wall™ Instruction Sheet



Thank you for purchasing your MAX-Wall™ Modular Acoustical Environment. This modular, absorptive, expandable acoustical kit is ideal for situations where you cannot permanently place Studiofoam® on your room surfaces. It's also great when you need to be able to quickly and easily change your recording/listening environment for a variety of situations. The MAX-Wall™ offers you a great deal of flexibility, is easy to setup, and can be easily expanded. Be sure to check out the complete line of Auralex® products such as Stand-Mounted LENRD™ bass traps, our complete line of Studiofoam® and family of diffusers, as well as all of our construction-related materials at www.auralex.com.

First. Decide how you want to layout your new MAX-Wall: (Keep in mind that there is no specific top, bottom, left or right sides to these panels. They can be setup any way you choose. Make sure the wedged surface faces the source of the sound to be absorbed.)

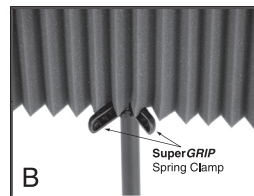
1. **What Width - Number of panels** (see figure 1).
 - a. 1 single panel = 4'
 - b. 2 interlocked panels = 7'8"
 - c. 3 interlocked panels = 11'4" (not pictured)
2. **How Tall - Number of panels** (see figure 1).
 - a. 1 single panel = 20" (1'8")
 - b. 2 stacked panels = 40" (3'4")
 - c. 3 stacked panels = 60" (5') (not pictured)

Second. Decide how you want it setup, then follow these easy steps:

1. Setup the MAX-Stand™ to the desired height. Fully extended if the top panel is to be above 5'4".

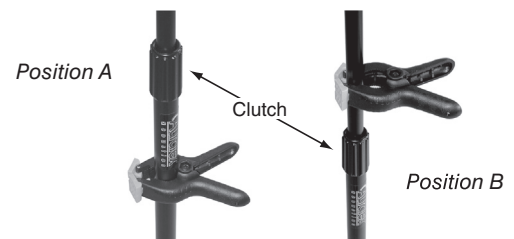
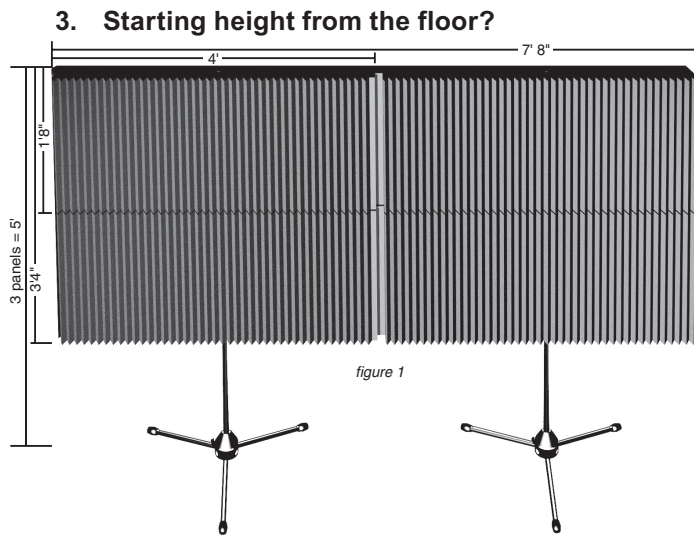


2. Remove the inner foam core from the center of each MAX-Wall™ panel (photo A).

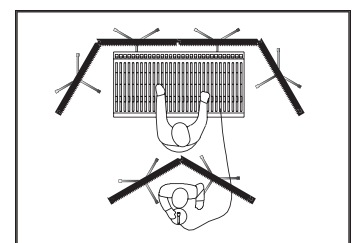
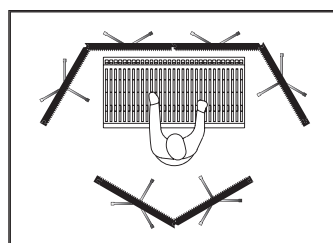
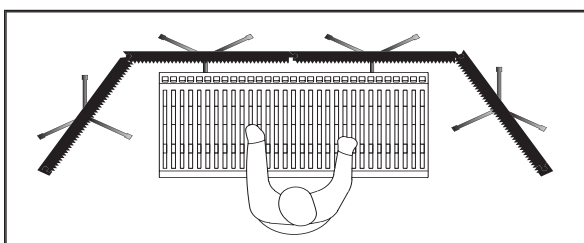


3. Insert stand into hole in MAX-Wall™ panel and push down to desired height. Use the MAX-Clamps™ to secure the bottom panel (photo B). Continue adding MAX-Wall™ panels until the desired height is achieved.

4. If the desired height is above the clutch, place a MAX-Clamp™ on the smaller part of the stand using position "b". If the panels are below the clutch, then friction will likely hold the panels in position. We suggest you place the clamp underneath the panel (position "a") to insure no slipping or sagging over time.

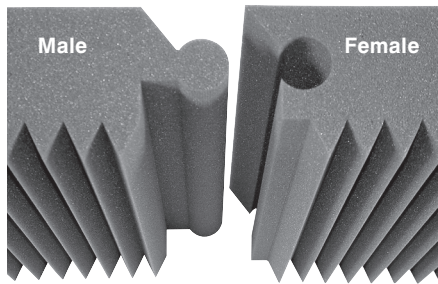
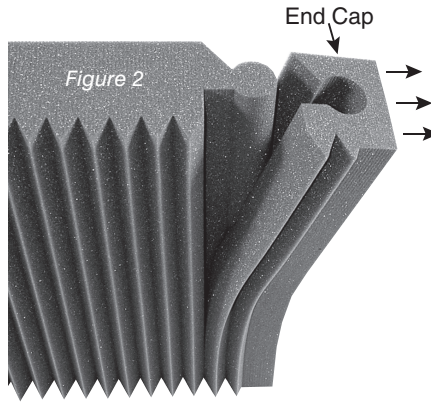


Serving Suggestions:



Third. Locking panels together:

The ends of each panel are designed to “peel” away (see figure 2), allowing the panels to be locked together. This creates a continuous acoustical wall. Panels can then be hinged up to 60°. When removing these pieces, we suggest labeling both the panel and the end cap in a location that will be concealed once connected. This will allow you to replace the end caps without them being mismatched. Our cutting tolerance can vary slightly; end caps that are mismatched with panels may not exactly match, and thus may not be a perfect fit (*too loose*). Decide which set of panels are to be interconnected and remove the adjacent end pieces. Must be male to female for this to work. If you need to, just flip the MAX-Wall™ panel over so the panels correctly connect male to female (figure 3).



If ends of panels are adjacent, but hinged greater than 60° (actually 120°

for you mathematicians), leave the end caps on and connect the panels together with long pins (clothing, t-pins, etc.) or purchase our optional MAX-Wall™ CornerCouplers™. If the ends of the panels are at the end of your setup, we suggest leaving them on for appearance reasons!

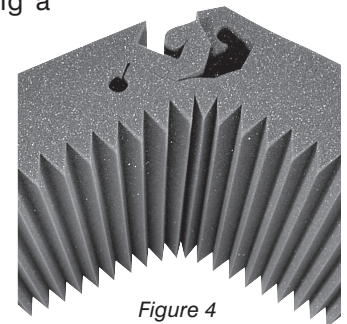
Optional Accessories:

1. **Window Unit:** 20” x 48” MAX-Wall™ panel with an 18” x 12” Plexiglass window (¼” thick). The MAX-Stand can be adjusted so you can attach a microphone gooseneck (as pictured).
2. **MAX-Wall™ CornerCouplers™**
Designed to allow panels to be attached at a 90° (80° to 100°) angle.

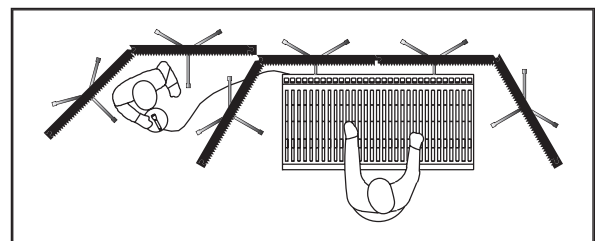
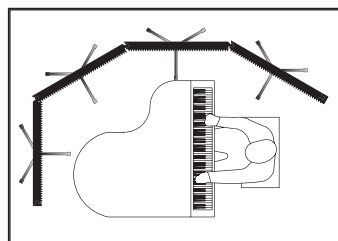
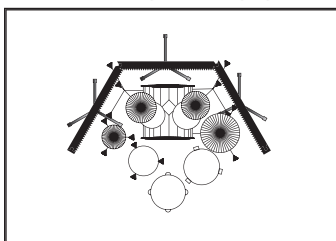


MAX-Wall Tips:

1. Some panels may show a slight variation in color/shade. This is due to the direction of the cut from our production saw. Pull all of the panels out of the box(es) and mix/match the best combinations. We suggest the closest matches be used on the same stand for color consistency.
2. If you need to extend the height of the MAX-Wall™ beyond the capabilities of the MAX-Stand™, 5/8” PVC pipe can be placed over the smaller diameter top of the stand and cut to a height to support panels above normal height.
3. A more “curved” environment (figure 4). If you desire the MAX-Wall™ to “surround” you beyond the normal hinging of the panels, you can “fracture” the hole lock in the center of the panel, creating a 45° with an individual panel. Be aware that the hole lock can be restored, but may not be as strong or attractive as before. The “fractured” panels are best used when the ends are interlocked with other panels to prevent sagging.
4. Keep the shipping box(es) for storage if the MAX-Wall™ will be moved around or used intermittently.



Serving Suggestions:



Citywalk Studios • Branson, MO

Great gear and great tracks, *BUT...*
your mix doesn't sound the same in the car?

Tune Your Room!

If you think it's the gear, think again. Your sound is only as good as the acoustics in your room!

Visit Auralex.com or call 1•800•95•WEDGE for your FREE Room Analysis.

After 25 years and over 10,000 studios, we're the experts at helping you achieve **TOTAL SOUND CONTROL**™.

Auralex
acoustics

www.auralex.com

Total Sound Control™

