

# **Bose® FreeSpace® 3 Loudspeaker System**

*Installer's Guide*

*Installationsvejledning*

*Installateur-Anleitung*

*Guía de instalación*

*Notice d'installation*

*Guida all'installazione*

*Installateurs handleiding*

*Monteringsanvisningar*

***BOSE***®



### Safety reminders

- 1.1 Read and keep all safety and operating instructions for future reference.
- 1.2 For your safety, follow all cautions and warnings in the operating instructions and on the speakers.
- 1.3 Follow the instructions in this guide carefully when installing this product.
- 1.4 Do not install the loudspeakers near water or excessive humidity. This includes installations near spas, swimming pools, dish washing and laundry equipment, and cooking areas. Avoid installing outdoors.
- 1.5 Do not install the loudspeakers near excessive heat sources. This includes installations near or above radiators, ranges, grills, fryers, stoves, or other appliances.
- 1.6 Always route cables so heavy or sharp objects cannot pinch or cut them.
- 1.7 Service by a qualified service person if:
  - A. The loudspeaker cone is visibly damaged;
  - B. The loudspeakers do not operate normally even though the instructions in this guide have been followed;
  - C. The loudspeakers exhibit a distinct change in performance.



#### DECLARATION OF CONFORMITY

We, the offerer:

Bose® Corporation, The Mountain, Framingham, MA 01701-9168 USA  
acknowledge our sole responsibility, that the product:

Kind of equipment: Loudspeaker  
Type designation: FreeSpace® 3 Acoustimass® module

In accordance with EMC Directive 89/336/EEC and Article 10(1) of the Directive,  
is in compliance with the following norm(s) or document(s):

Technical regulations: EN50081-1, EN50082-1

Accredited by:

Bose Corporation, The Mountain, Framingham, MA 01701-9168 USA

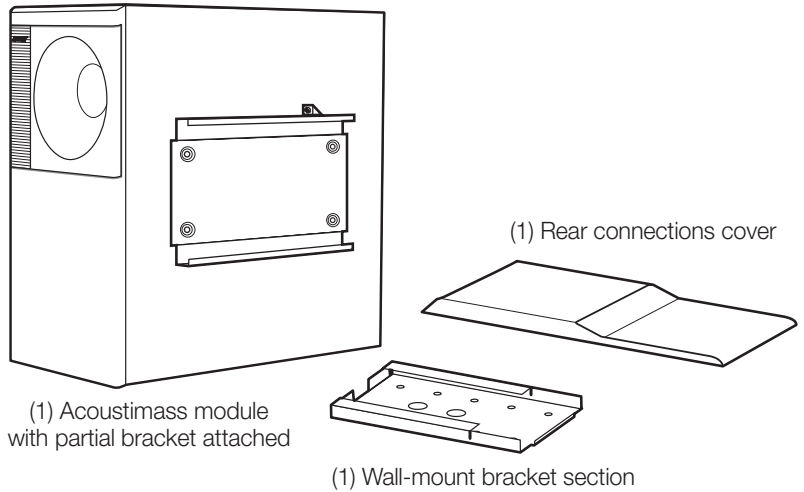
15 April 2000

Bose Products B.V.  
Nijverheidstraat 8, 1135 GE Edam  
The Netherlands

Nic Merks  
Vice President Europe  
Manufacturer's authorized EU representative

## 1.0 Package contents

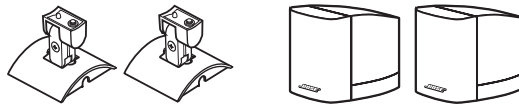
### 1.1 FreeSpace® 3 Acoustimass® module carton



### 1.2 FreeSpace 3 satellite speaker carton

(2) Wall-mount brackets

(2) Satellite speakers



## 2.0 Loudspeaker installation

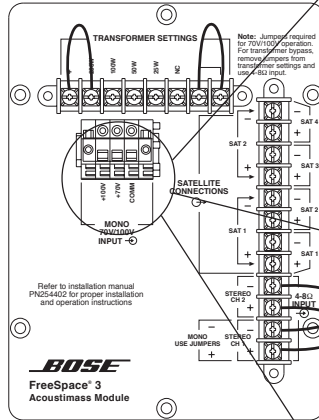
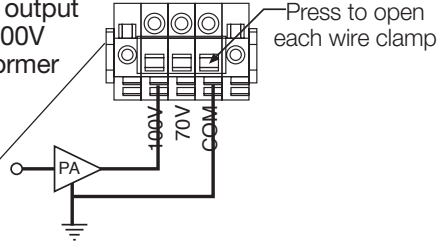
English

### 2.1 Amplifier output connection

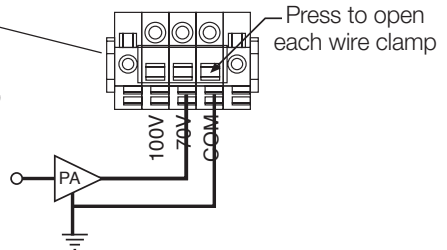
**▲ WARNING:** Complete all connections before you plug in and turn on the amplifier.

#### 2.1.1 70V/100V transformer use

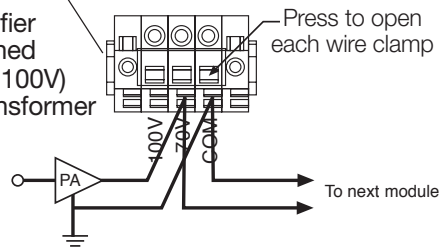
- Connecting an amplifier output to a single module in a 100V system using the transformer



- Connecting an amplifier output to a single module in a 70V system using the transformer



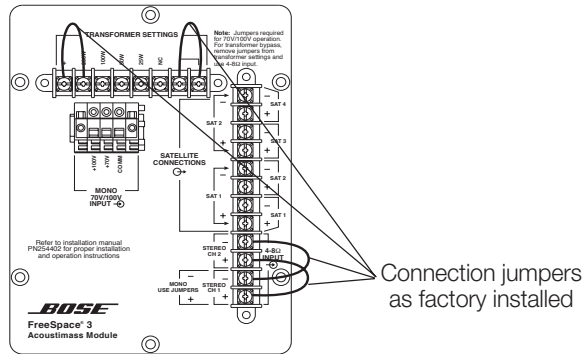
- Connecting an amplifier output to daisy-chained modules in a 70V (or 100V) system using the transformer



## 2.2 Transformer tap setting or bypass

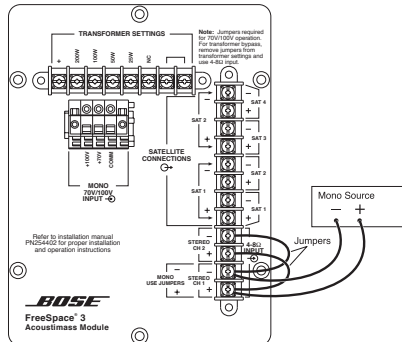
- Lower Wattage: The transformer tap is set at the factory for 200W use. To set it for lower wattage, remove the end of the + jumper wire that is connected to 200W and reattach it to the appropriate tap (100W, 50W, or 25W).
- Mono Direct: To bypass the transformer and prepare the loudspeaker for 4Ω use and mono sound input, remove only the two transformer jumper wires. Leave the CH1 and CH2 input jumpers as they are.
- Stereo Direct: To bypass the transformer and prepare the loudspeaker for 4Ω use and stereo sound input, remove all jumper wires.

Refer to page 7 for wiring details.

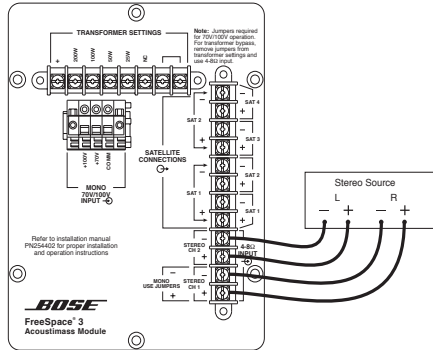


## 2.3 Direct (transformer bypass) use

- Connecting a mono source with the transformer bypassed



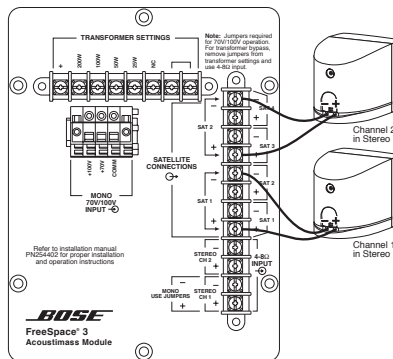
- Connecting a stereo source with the transformer bypassed



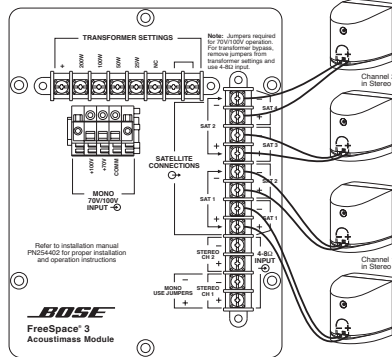
## 2.4 Satellite speaker connection

With or without use of the transformer, there are 3 options for connecting the satellite speakers to the module:

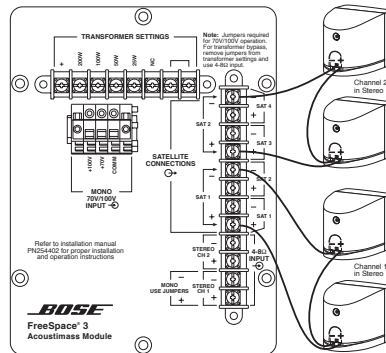
- Using 2 satellite speakers



- Using 4 satellite speakers with direct connections



- Using 4 satellite speakers with daisy-chained connections



## 2.4.1 Using other compatible Bose® speakers

You can use the FreeSpace® Acoustimass® module with other Bose speakers, such as the FreeSpace Model 8, Model 32, Model 32SE, Panaray® 302, or FreeSpace 6 speakers. Just be sure to connect both the speakers and the module directly to the amplifier, using separate channels.

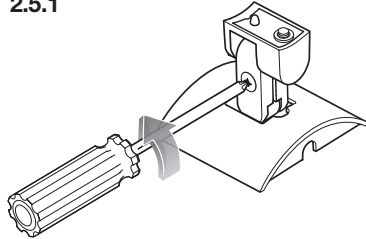


**Caution:** Do not connect any speakers, other than FreeSpace 3 satellite speakers, directly to the module.

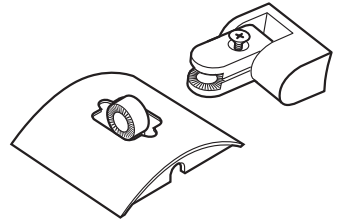
## 2.5 Mounting and wiring satellite speakers

Choose a position and mounting method consistent with local building codes and regulations. Use four screws per bracket.

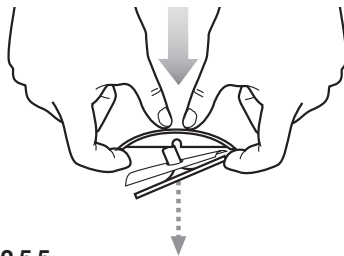
2.5.1



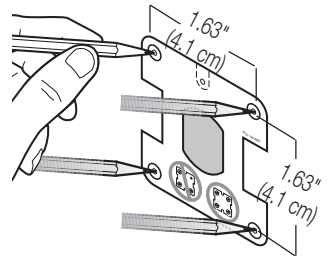
2.5.2



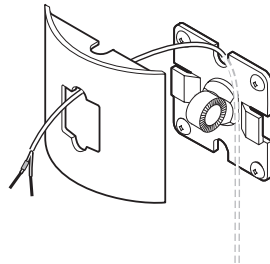
2.5.3



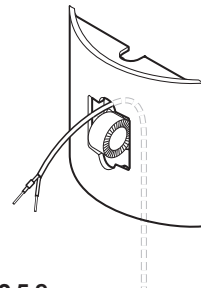
2.5.4



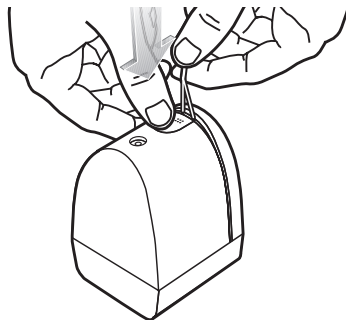
2.5.5



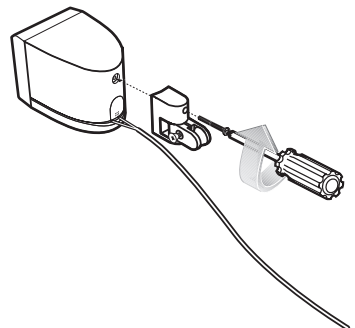
2.5.6



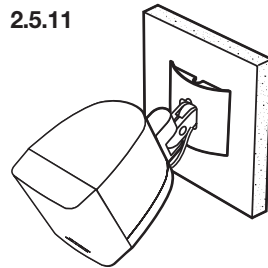
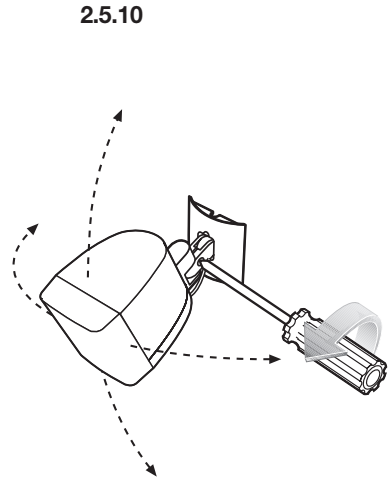
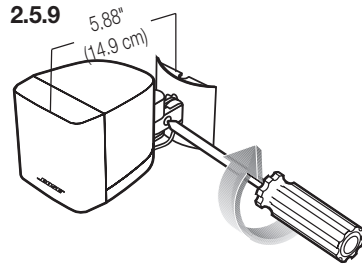
2.5.7



2.5.8





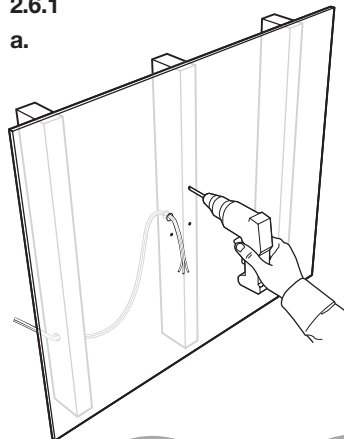


## 2.6 Mounting and wiring the module

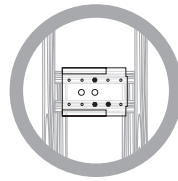
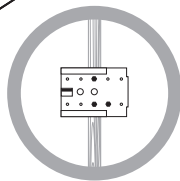
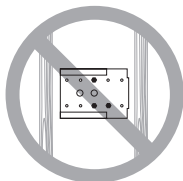
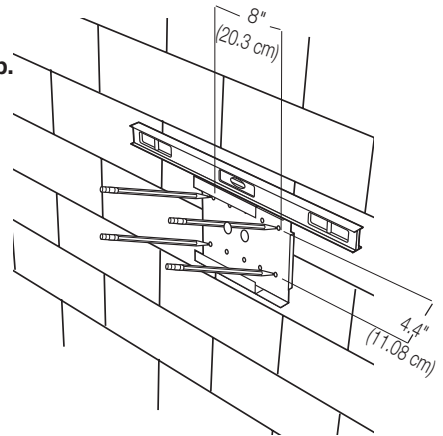
Choose a mounting position, method, and hardware consistent with local building codes and regulations. Use at least three mounting screws.

### 2.6.1

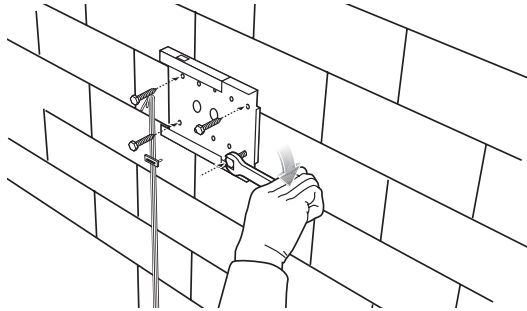
a.



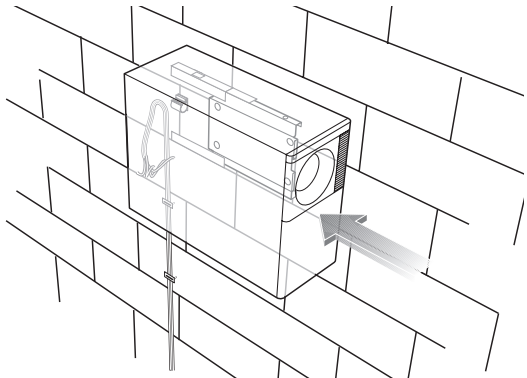
b.



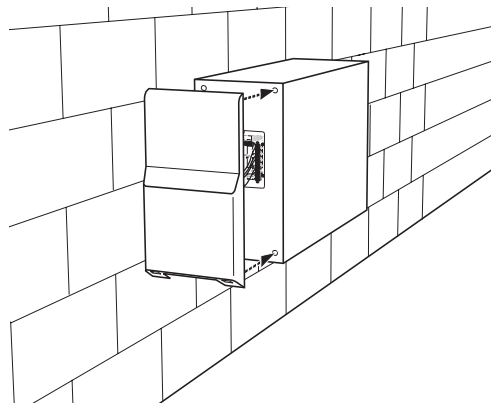
2.6.2



2.6.3



2.6.4



### 3.0 Loudspeaker specifications

#### System:

##### Frequency Range

50Hz to 16kHz ( $\pm 3$ dB)

##### System Configurations

70V/100V (25W, 50W, 100W, 200W taps) monaural

Transformer bypass, mono or stereo

##### Sensitivity

82dB-SPL @ 1W, 1m  
(pink noise)

##### Maximum Acoustic Output

93dB-SPL average  
in a 45,000 ft<sup>3</sup> room with  
an RT<sub>60</sub> of 1 second,  $\pm 3$ dB

##### Long-Term Power Handling

100W continuous  
200W peak

*Note: This product is equipped with a protection circuit that reduces the volume to a very low level when over-powered. In the event that the protection circuit is activated, turn off the signal source for 30 seconds for full recovery.*

##### Nominal Impedance

4-cube system, direct: 6 $\Omega$   
per channel

2-cube system, direct: 5 $\Omega$   
per channel

#### Satellite:

##### Frequency Range

210Hz to 16kHz ( $\pm 3$ dB)

##### Sensitivity

84dB-SPL @ 1W, 1m  
(pink noise)

##### Maximum Acoustic Output

95dB-SPL @ 1m  
(pink noise)  
92dB-SPL @ 1m  
(IEC noise)

##### Dispersion

170° conical (–6dB point,  
average, 1-4kHz)

##### Mechanical Specifications

Dimensions: 3.1"H x  
3.1"W x 3.2"D (7.9 cmH  
x 7.9 cmW x 8.1 cmD)

Weight: 1.75 lb (.8 kg)

Connectors: Guillotine

Mounting Hardware  
Included: Wall-mount  
brackets

Bracket Angles:  $\pm 30^\circ$   
pitch;  $\pm 90^\circ$  yaw

#### Module:

##### Frequency Range

50Hz to 210kHz ( $\pm 3$ dB)

##### Sensitivity

76dB-SPL @ 1W, 1m  
(pink noise) per channel

79dB-SPL @ 1W, 1m  
(pink noise) mono

##### Maximum Acoustic Output

96dB-SPL @ 1m  
(pink noise and IEC noise) per  
channel

102 dB-SPL @ 1m  
(pink noise and IEC noise) mono

##### Long-Term Power Handling

100W continuous  
200W peak

##### Dispersion

Omnidirectional

##### Mechanical Specifications

Dimensions: 14"H  
x 8.7"W (w/bracket)  
x 13.6"D (35.6 cmH  
x 22.1 cmW x 34.5 cmD)

Weight: 17.5 lb (7.9 kg)

Fuses/Protection: Internal  
overpower protection

Connectors: Screw terminal

Mounting Hardware Included:  
Bracket, attached to module

## Limited Warranty Bose® Product

**What is covered:**

All parts defective in material and workmanship.

**For how long:**

Five years from the purchase date.

**What we will do:**

We will, at our sole option, repair or replace any defective parts free of charge.

**What we will not do:**

Pay shipping or transportation charges from you to us.

**What you must do:**

1. Return product personally with proof of purchase from an authorized Bose dealer to your authorized Bose dealer, or
2. Return product personally with proof of purchase from an authorized Bose dealer to the nearest Bose Service Agency, or
3. Return product personally with proof of purchase from an authorized Bose dealer directly to the Bose organization in your country. If you elect to return the product directly to a Bose organization,
  - a) Contact the Bose organization in your country for specific return and shipping instructions;
  - b) Properly pack the product in the original carton for shipping. If you need a new carton, contact the Bose organization in your country for a new carton available at a nominal charge;
  - c) Label and ship, freight prepaid, to the address provided by the Bose organization in your country, and;
  - d) Place any necessary return authorization number prominently on the outside of the carton. (Cartons not bearing a return authorization number, where required, will be refused.)

**Other conditions:**

This warranty is fully transferable provided that the current owner furnishes the original proof-of-purchase from an authorized Bose dealer. The provisions of this warranty are in lieu of any other written warranty, whether express or implied, written or oral, including any warranty of merchantability or fitness for a particular purpose. Bose's maximum liability shall not exceed the actual purchase price paid by you for the product. In no event shall Bose be liable for special, incidental, consequential or indirect damages. This warranty does not cover a defect that has resulted from improper or unreasonable use or maintenance, accident, improper packing, or unauthorized tampering, alteration or modification as determined solely by us. This warranty is void if the label bearing the serial number has been removed or defaced.

**Other law rights:**

This warranty gives you specific legal rights, and you may also have other rights which vary from country to country or state to state. Some places do not allow limitations on implied warranties or the exclusion or limitation of incidental or consequential damages, so the above limitations or exclusions may not apply to you.

**Please keep this warranty information for your personal records.**

Bose Corporation thanks you for your recent Bose product purchase. For your benefit, we recommend that you record your serial number(s), found on the product(s), and other purchase information below and keep it with your personal records along with proof-of-purchase. If necessary, this information will allow us to better serve your needs.

Model Name or Number: \_\_\_\_\_

Serial Number(s): \_\_\_\_\_

Date Purchased: \_\_\_\_\_

Dealer's Name: \_\_\_\_\_

Dealer's Address: \_\_\_\_\_



***BOSE***<sup>®</sup>  
*Better sound through research.*

©2001 Bose Corporation  
The Mountain  
Framingham, MA  
01701-9168 USA  
263114 AM Rev.00  
JN20493