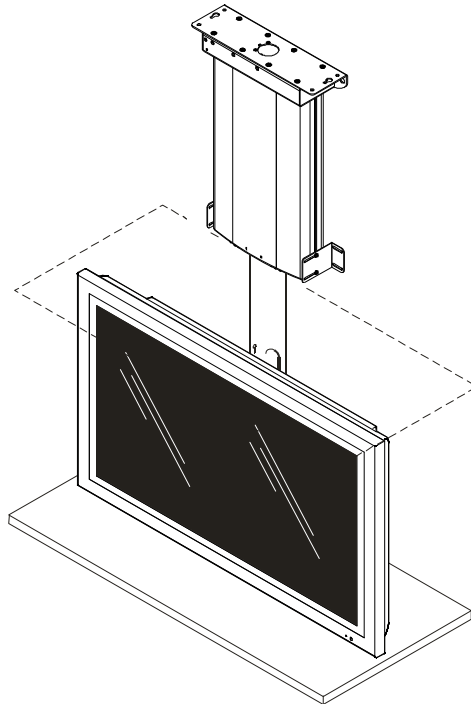

INSTALLATION INSTRUCTIONS INSTRUCCIONES DE INSTALACIÓN ИНСТРУКЦИИ ПО УСТАНОВКЕ



Automated Flat Panel Ceiling Lift Elevador automatizado de techo para televisor de pantalla plana Автоматическое устройство подъема для крепления плоской панели на потолке

This device complies with part 15 of the FCC rules. Operation is subject to the following 2 conditions: (1) This device may not cause harmful interference, and (2) this device must accept any interference received, including interference that may cause undesired operation.

This equipment has been tested and found to comply with the limits of a Class B digital device, pursuant to Part 15 of the FCC rules. These limits are designed to provide reasonable protection against harmful interference in a residential installation. This equipment generates, uses and can radiate radio frequency energy, and if not installed and used in accordance with the instructions, may cause harmful interference to radio or television communications. However, there is no guarantee that the interference will not occur in a particular installation. If this equipment does cause harmful interference to radio or television reception, which can be determined by turning the equipment off and on, the user is encouraged to try to correct the interference by one of the following measures:

- Reorient or relocate the receiving antenna
- Increase the separation between the equipment and receiver
- Connect the equipment to an outlet on a circuit other than that to which the receiver is connected

Consult the dealer or an experienced radio/TV technician for help



Our Mounts. **Your Vision.**

CM2C40

Milestone AV Technologies, and its affiliated corporations and subsidiaries (collectively, "Milestone"), intend to make this manual accurate and complete. However, Milestone makes no claim that the information contained herein covers all details, conditions or variations, nor does it provide for every possible contingency in connection with the installation or use of this product. The information contained in this document is subject to change without notice or obligation of any kind. Milestone makes no representation of warranty, expressed or implied, regarding the information contained herein. Milestone assumes no responsibility for accuracy, completeness or sufficiency of the information contained in this document.



IMPORTANT WARNINGS AND CAUTIONS!

The Alert messages **DANGER**, **WARNING**, **CAUTION**, **IMPORTANT**, and **NOTE** are used throughout these instructions and on the product to alert the reader and/or operator of the existence of dangerous situations, conditions and/or important operational and maintenance information.

"SAVE THESE INSTRUCTIONS"



WARNING: WARNING alerts you to the possibility of serious injury or death if you do not follow the instructions.



CAUTION: A CAUTION alerts you to the possibility of damage or destruction of equipment if you do not follow the corresponding instructions.



WARNING: FAILURE TO READ AND FOLLOW THE FOLLOWING INSTRUCTIONS CAN RESULT IN SERIOUS PERSONAL INJURY, DAMAGE TO EQUIPMENT OR VOIDING OF FACTORY WARRANTY. It is the installer's responsibility to make sure all components are properly assembled and installed using the instructions provided. Read all instructions before using this furnishing.



DANGER: TO REDUCE THE RISK OF ELECTRIC SHOCK:

- ALWAYS unplug this furnishing from the electrical outlet before cleaning.



WARNING: TO REDUCE THE RISK OF BURNS, FIRE, ELECTRIC SHOCK, OR INJURY TO PERSONS:

- Unplug from outlet before putting on or taking off parts.
- Close supervision is necessary when this furnishing is being used by, or near, children, invalids, or disabled persons.
- Use this furnishing only for its intended use as directed in these instructions. DO NOT use attachments not recommended by the manufacturer.
- NEVER operate this furnishing if it has a damaged cord or plug, if it is not working properly, if it has been dropped or damaged, or dropped into water. Return the furnishing to a service center for examination and repair.
- Keep the cord away from heated surfaces.
- NEVER operate the furnishing with the air openings blocked. Keep the air openings free of lint, and the like.
- NEVER drop or insert anything into any opening.
- DO NOT use outdoors.
- DO NOT operate where aerosol (spray) products are being used, or where oxygen is being administered.
- To disconnect, turn all controls to the off position, then remove plug from outlet.



WARNING: RISK OF ELECTRICAL SHOCK! Connect this device to a properly grounded outlet only.



CAUTION: ONE END OF POWER CORD MUST REMAIN ACCESSIBLE AT ALL TIMES! DO NOT block or impede access to plug at any time!

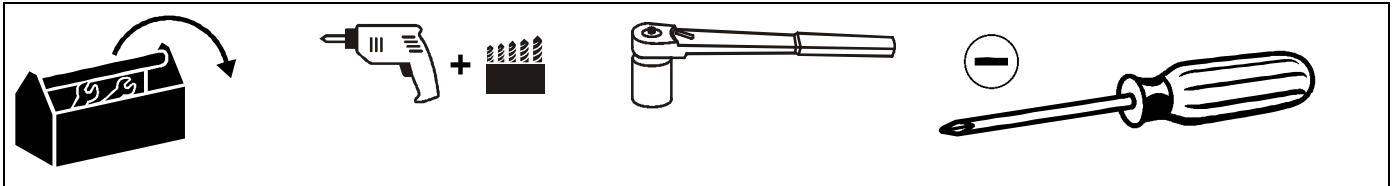


CAUTION: Changes or modifications to this unit not expressly approved by the manufacturer can void the units FCC compliance rating and make the unit illegal to operate.

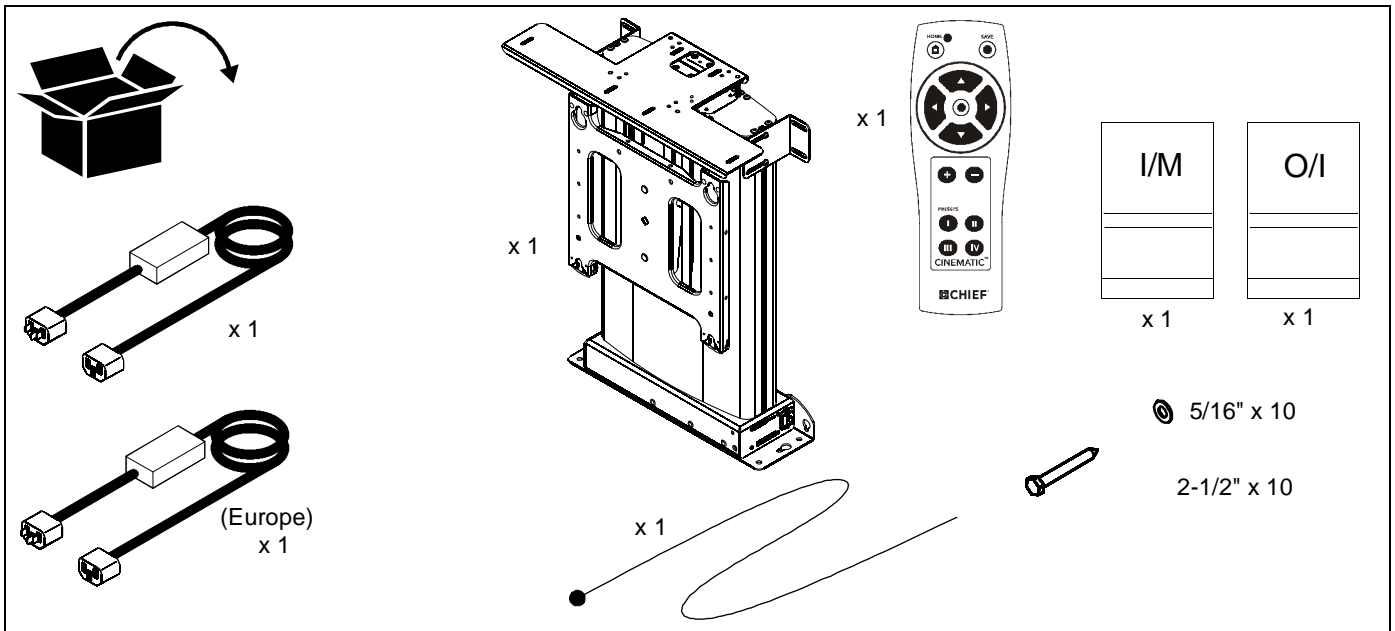
CONTENTS

INSTALLATION REQUIREMENTS 6
 Power Requirements and Wiring 6
INSTALLATION 6
 Pre-Installation Configuration and Adjustments 6
 Configuring the Mount for the Display 6
 Cable Installation and Routing 8
 Mount Installation 11
 Install Display 12
 Bottom Cover Installation 14
ADJUSTMENTS 15
 Bottom Cover Location Adjustment 15
 Lift Column Bearing Adjustment 16
Extended Programming Capabilities 17
 IR-SE15 Programming 18
 Serial Communications 19
CM2 Hardware Reference 20
 CM2 Interface Board Hardware Information 20
 Dry Contact Closures 20
 Other Dry Contact Options 21
 Connector and Switch Assignments 23

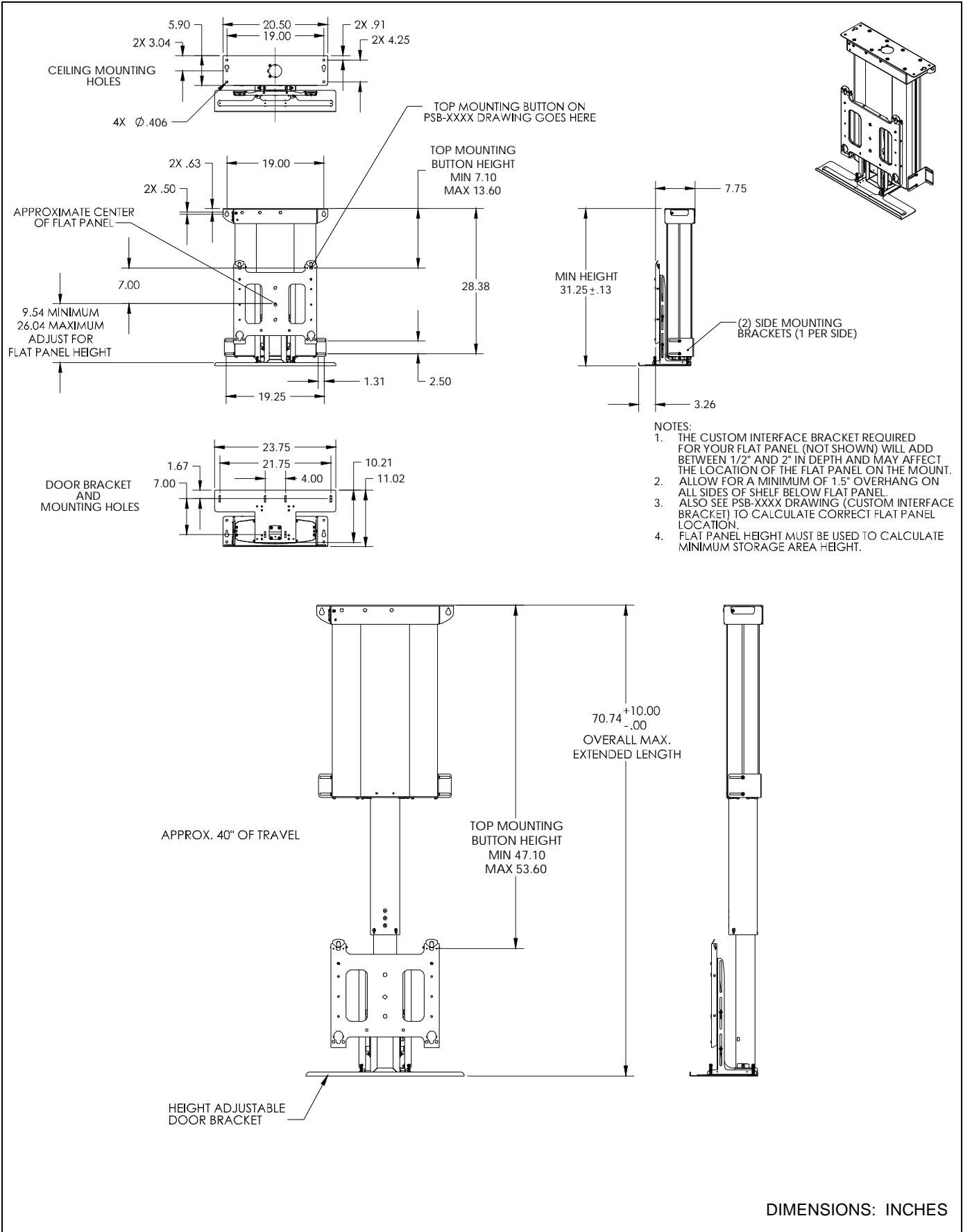
TOOLS REQUIRED FOR INSTALLATION



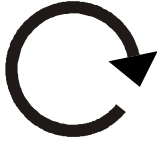




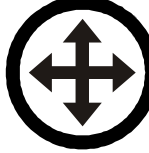






PARTS



DIMENSIONS



LEGEND

	<p>Tighten Fastener Apretar elemento de fijación Затянуть крепежный элемент</p>		<p>Pencil Mark Marcar con lápiz Карандашная пометка</p>
	<p>Loosen Fastener Aflojar elemento de fijación Ослабить крепежный элемент</p>		<p>Drill Hole Perforar Просверлить отверстие</p>
	<p>Phillips Screwdriver Destornillador Phillips Крестообразная отвертка</p>		<p>Adjust Ajustar Отрегулировать</p>
	<p>Open-Ended Wrench Llave de boca Открытый рожковый ключ</p>		<p>Remove Quitar Удалить</p>
	<p>By Hand A mano Вручную</p>		<p>Optional Opcional Необязательно</p>
	<p>Hex-Head Wrench Llave de cabeza hexagonal Ключ с шестигранной головкой</p>		<p>Security Wrench Llave de seguridad Специальный ключ</p>

INSTALLATION REQUIREMENTS

The CM2C40 has been designed to be mounted either hanging from an overhead structure or mounted to existing stud wall structures.



WARNING: IMPROPER INSTALLATION CAN LEAD TO LIFT TIPPING CAUSING SEVERE PERSONAL INJURY OR DAMAGE TO EQUIPMENT! It is the installers responsibility to make certain the structure to which the lift is being mounted is capable of supporting 4 times the weight of the lift and all attached equipment.

Power Requirements and Wiring

The CM2C40 requires 120VAC (220/240VAC 50 Hz for European installations) power to operate.

A 6' long power cable is provided with the mount.

INSTALLATION

Pre-Installation Configuration and Adjustments

Prior to being installed, the CM2C40 requires the configuration of the mount for display, cable installation and routing, and the rough adjustment of the top cover mounting bracket.

To prepare the CM2C40 for Installation:

1. Remove mount from box.
2. Remove two wooden supports from under box.
3. Lay two wooden supports on floor and mount CM2C40 to supports using four 5/16" flat washers and four 5/16" x 2-1/2" lag bolts (hardware provided). (See figure 1)

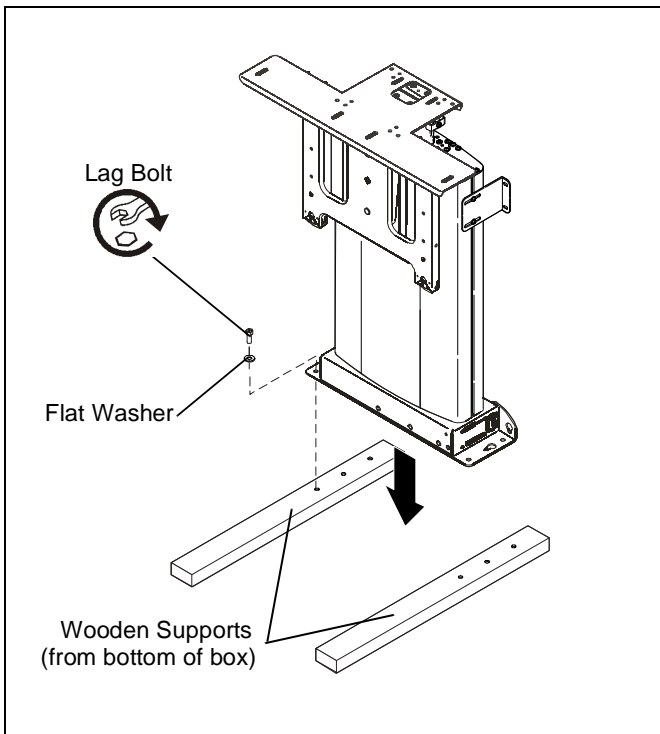


Figure 1

Configuring the Mount for the Display

Prior to installation, the CM2C40 needs to be configured for the size of the display being used.

To prepare the CM2C40 for the display being installed:

1. Install interface bracket or mounting buttons to display following the instructions provided with bracket.
2. Measure the distance from the center of an upper mounting button to the highest point of the display.
3. Record measurement.

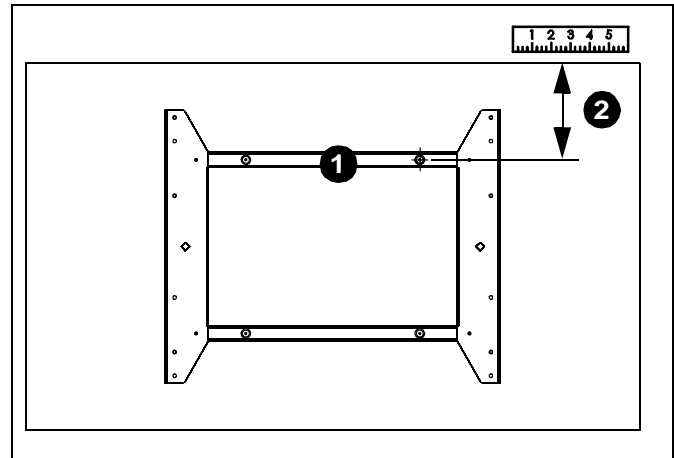


Figure 2

IMPORTANT ! : If the dimension taken in figure 2 is greater than 13.5" (342.9mm), the faceplate will need to be adjusted before mounting the display. If the dimension taken in figure 2 is less than 13.5" (342.9mm) proceed to *Cable installation and Routing* below.

Adjusting Faceplate Location

The CM2C40 is designed to allow up to 6.5" of adjustment. Up to 2" by adjusting the faceplate location on the faceplate mounting bracket, and up to an additional 4.5" by adjusting the faceplate mounting bracket.

Subtract 13.5" from the dimension determined in figure 2. The difference between the two is the total amount of adjustment the faceplate will require.

Example:

Dimension from Step 2 = 15"

$15" - 13.5" = 1.5"$ (Amount of faceplate adjustment required)

If 2" or less faceplate adjustment is required proceed to step 5. If more than 2" of faceplate adjustment is required proceed to step 8.

NOTE: Depending upon the amount of faceplate adjustment required, it maybe necessary to adjust both the faceplate and faceplate mounting bracket.

If 2" or less faceplate adjustment is required:

4. Install IR receiver. (See figure 3)
5. Plug appropriate power cord into mount and power source.
6. Using the remote control, raise lift until locknuts on back side of faceplate can be accessed. (See figure 3)



WARNING: PINCH HAZARD! FINGERS OR HANDS BETWEEN MOVING PARTS CAN LEAD TO SEVERE PERSONAL INJURY! Keep fingers and hands away from mount when operating.

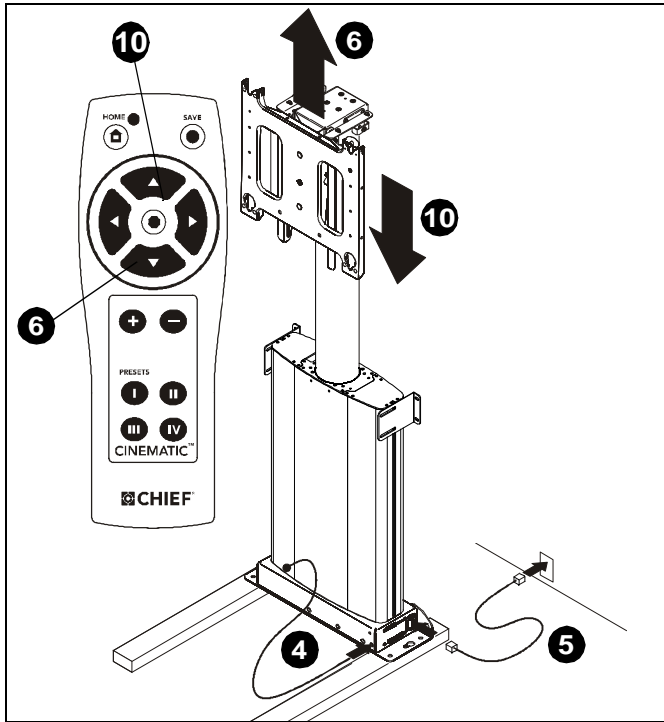


Figure 3

7. Remove two locknuts securing faceplate to faceplate mounting bracket. (See figure 4)
8. Move faceplate up one set of holes to adjust location 1" or two sets of holes to adjust 2". (See figure 4)

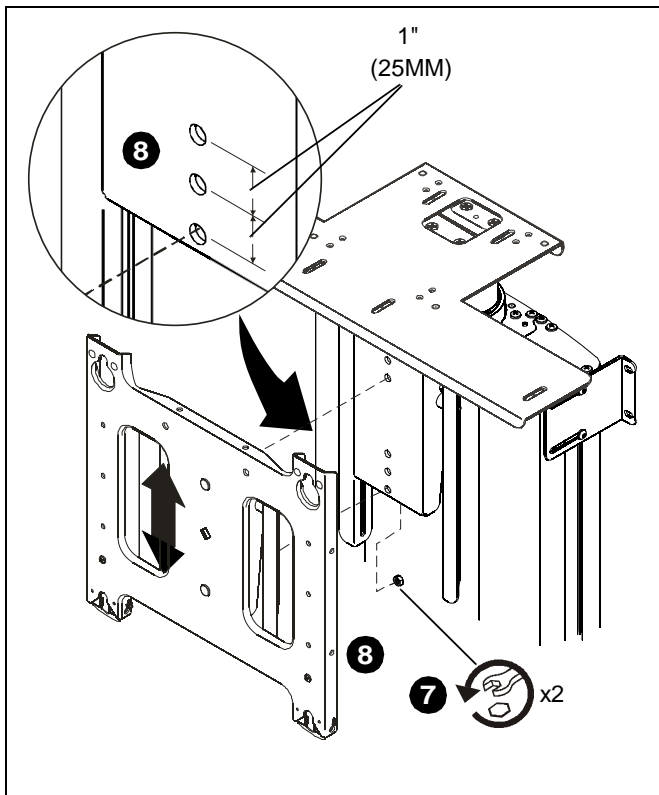


Figure 4

9. Secure faceplate to faceplate mounting bracket using two locknuts. (See figure 6)

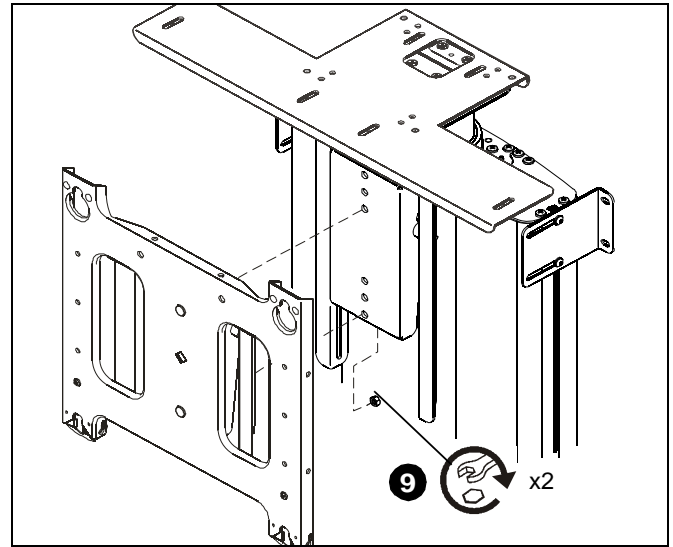


Figure 5

10. Using the remote control, lower the lift until it stops. (See figure 3)

If more than 2" of faceplate adjustment is required:

11. Raise lift following instructions in step 6. (See figure 3)
12. Loosen four nuts securing faceplate mounting bracket to frame. (See figure 6)
13. Move faceplate mounting bracket desired amount. (See figure 6)

NOTE: The CM2C40 is shipped with the faceplate mounting bracket installed in the lower slots. An additional 2" of faceplate adjustment can be obtained by moving the faceplate mounting bracket to the upper slots.

14. Tighten four nuts to secure faceplate mounting bracket to frame.



WARNING: IMPROPER INSTALLATION CAN LEAD TO SEVERE PERSONAL INJURY OR DAMAGE TO EQUIPMENT! Make sure all four nuts are tight before continuing installation!

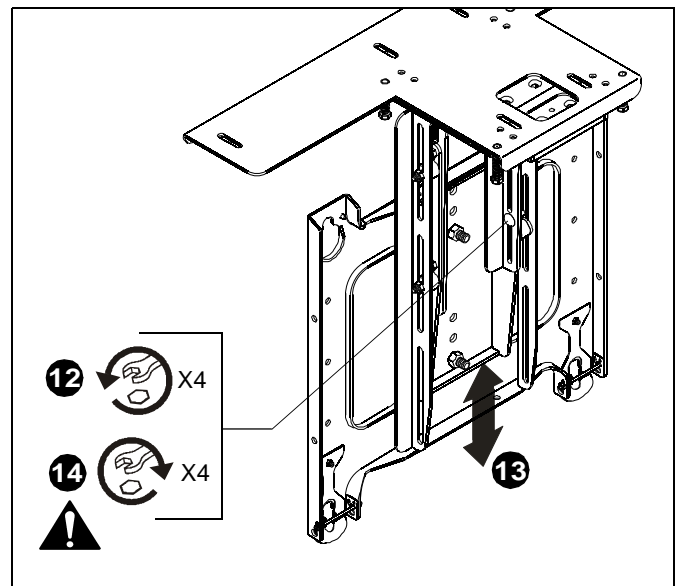


Figure 6

15. Align studs in faceplate with appropriate holes in faceplate mounting bracket and hang faceplate on bracket with studs.
16. Secure faceplate to faceplate mounting bracket using two locknuts. (See figure 7)

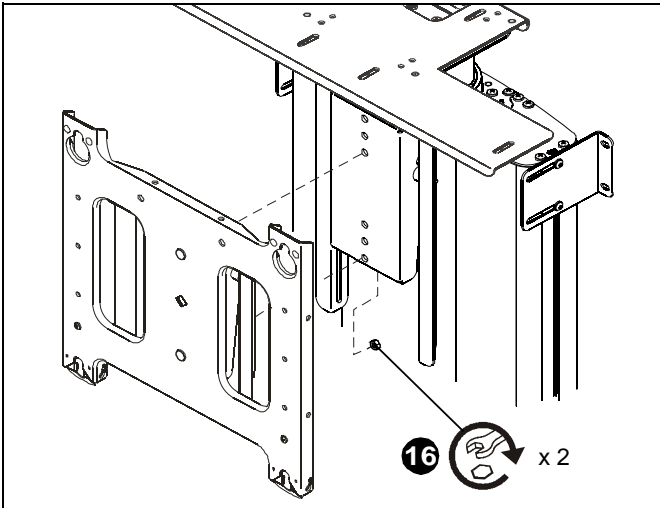


Figure 7

Cable Installation and Routing

The CM2C40 has an integrated cable management system that allows cables to be automatically "fed out" as the lift lowers, and "reeled in" as the lift raises while maintaining constant cable tension.

NOTE: Some components have been removed for clarity in the artwork associated with this procedure.

IMPORTANT ! : The CM2C40 requires minimum cable lengths of 8 feet from display through lower mount.

To install cables:

1. Remove two screws securing cable guide side cover.
2. Set screws aside for reuse. (See figure 8)

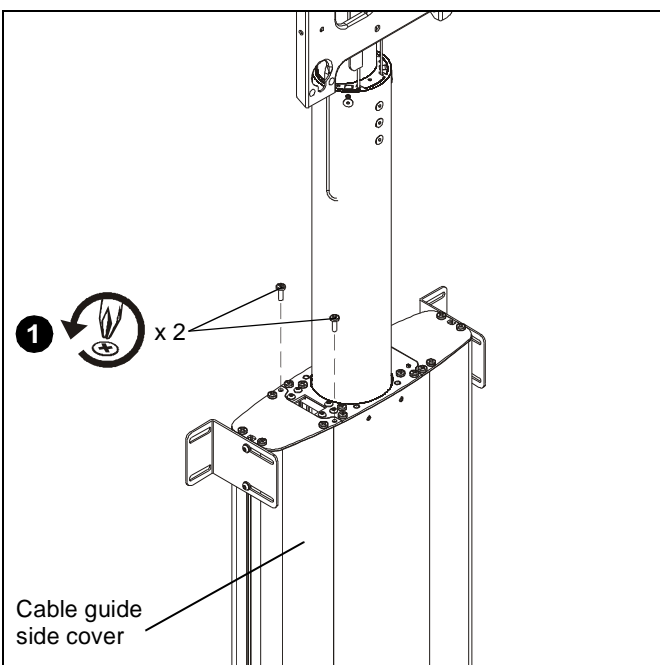


Figure 8

3. Slide cable guide side cover away from mount and carefully set aside.
4. Loosen three cable clamps. (See figure 10)
5. Route cable(s) down through upper cable clamp. (See figure 10) and (See figure 11)

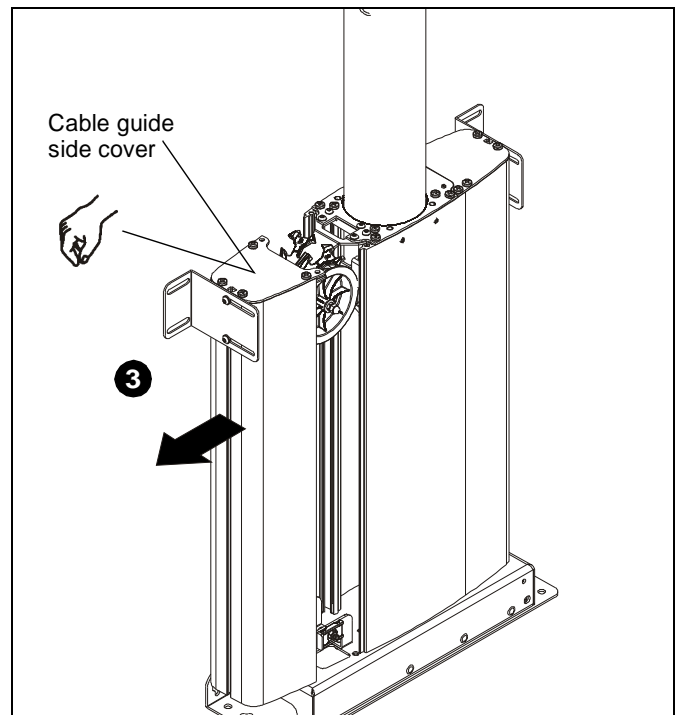


Figure 9

IMPORTANT ! : Evenly distribute cables between the four upper clamp locations to prevent tangling of cables and improper operation of CM2.

IMPORTANT ! : Leave enough cable length available above upper cable clamp to allow the routing and tie-down of cables between upper cable clamp and display.

6. Route cable(s) down through opening **behind** cable pulley. (See figure 10) and (See figure 11)



CAUTION: DON'T TWIST CABLES! Damage to cables may occur if cables are twisted during cable management.

- Ensure that cables on rear side of CM2 (gray) stay towards rear side of cable pulley. (See figure 10) and (See figure 11)
- Ensure that cables on front side of CM2 (black) stay towards front side of cable pulley. (See figure 10) and (See figure 11)

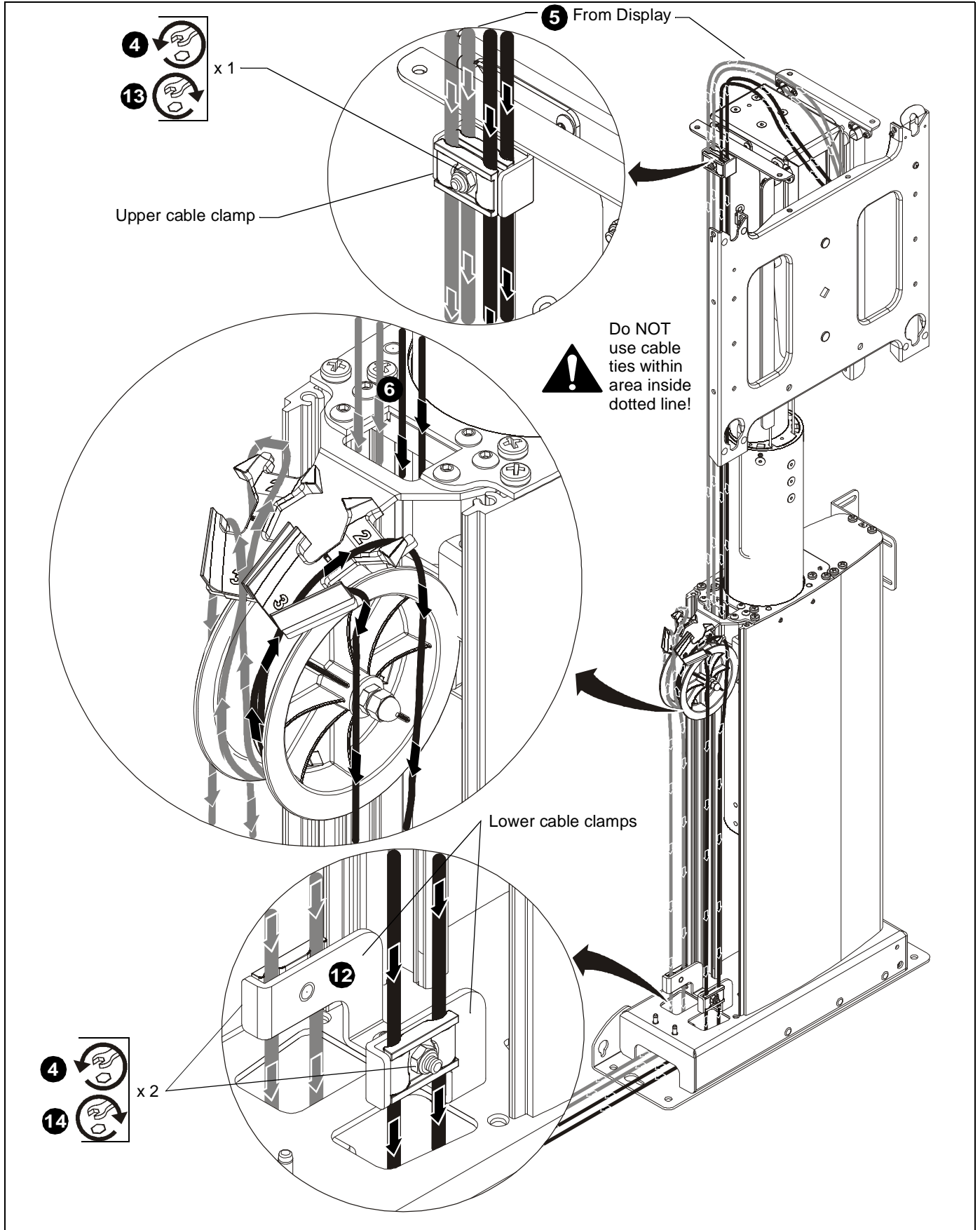


Figure 10

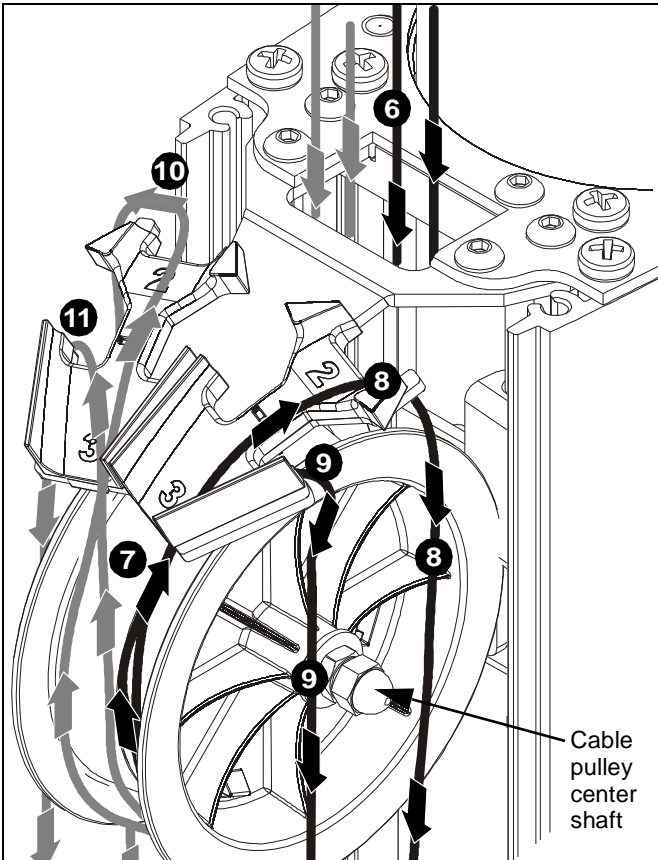


Figure 11

7. Route cables under cable pulley and up over **top** of cable pulley. (See figure 10) and (See figure 11)
8. Route one cable from front (black) cable clamps through the #2 cable opening and straight down next to the cable pulley center shaft. (See figure 10) and (See figure 11)
9. Route one cable from front (black) cable clamps through the #3 cable opening and straight down next to the other side of the cable pulley center shaft. (See figure 10) and (See figure 11)
10. Route one cable from rear (gray) cable clamps through the #2 cable opening and straight down next to the cable pulley center shaft. (See figure 10) and (See figure 11)
11. Route one cable from rear (gray) cable clamps through the #3 cable opening and straight down next to the other side of the cable pulley center shaft. (See figure 10) and (See figure 11)

IMPORTANT ! : Ensure that cables are not twisted! Cables from front (black) of upper cable clamp (See figure 10) must be on front of cable pulley (See figure 11) and front of lower cable clamp (See figure 10). Cables from rear (gray) of upper cable clamp (See figure 10) must be on rear of cable pulley (See figure 11) and rear of lower cable clamp (See figure 10).

12. Continue routing cable(s) down through lower cable clamps. (See figure 10)
13. Tighten upper cable clamp making certain cables are properly seated in clamp and are not pinched.



CAUTION: OVERTIGHTENING OF CABLE CLAMPS CAN CRUSH CABLES LEADING TO DAMAGE TO EQUIPMENT! DO NOT over tighten cable clamps.

14. Starting at upper cable clamp and working downward, remove slack from all cables and tighten lower cable clamps. (See figure 10)

15. Slide cable guide side cover over CM2 mount lining up two holes in cable guide side cover with two holes in CM2 mount. (See figure 12)

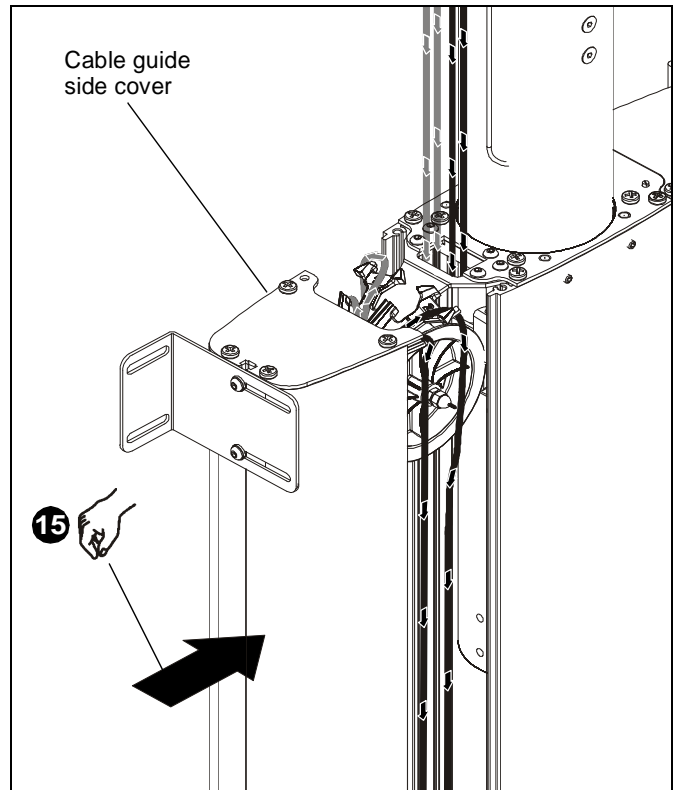


Figure 12

16. Secure cable guide side cover to CM2 mount using two screws (removed in Step 1). (See figure 13)

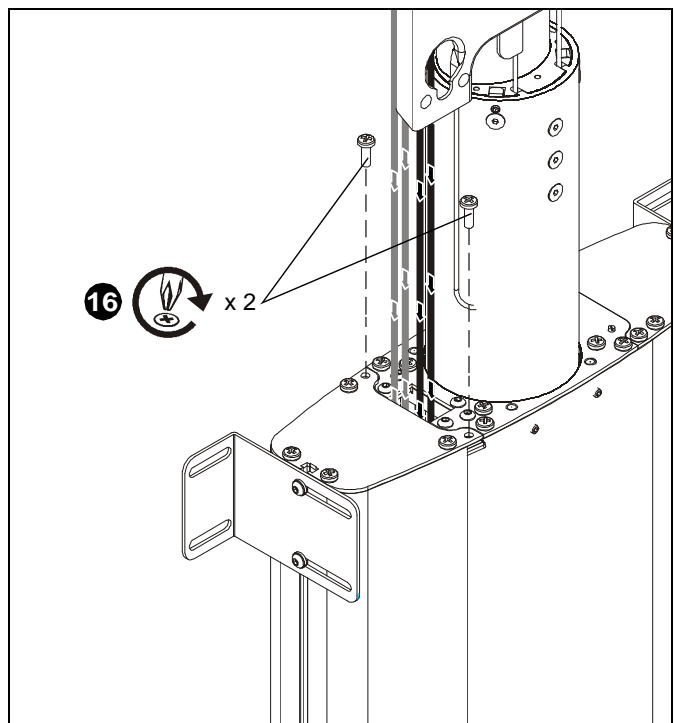


Figure 13

Mount Installation

The CM2C40 has been designed to be mounted either hanging from an overhead structure or mounted to existing stud wall structures. The following instructions assume a suitable mounting structure and surface exists prior to installation and all power and signal wires and cables have been properly installed.

IMPORTANT ! : The mounting pattern on the CM2C40 is 19" (483 mm) wide. If being mounted to an existing wall with 16" studs an additional stud will need to be added to each side in order for the mount to be installed.



WARNING: IMPROPER INSTALLATION CAN LEAD TO LIFT FALLING CAUSING SEVERE PERSONAL INJURY OR DAMAGE TO EQUIPMENT! It is the installers responsibility to make certain the structure to which the lift is being mounted is capable of supporting 4 times the weight of the lift and all attached equipment.

To install the CM2C40:

1. If the display is installed and cables routed, disconnect wires and cables from display, and remove display.
2. Remove mount from wooden supports used during mount setup and configuration. and orient mount as shown in figure below.



WARNING: MOUNT WEIGHS IN EXCESS OF 40LBS!
Always use two people and proper lifting techniques when installing or positioning mount.

3. Align mounting holes in baseplate with studs making sure mounting holes are centered on studs.
4. Locate vertical and horizontal position of mount. (See figure 15)

NOTE: The mount is designed to continue traveling 1/2" after the bottom cover makes contact with an object when being raised. If it is desired to use this feature this 1/2"

of travel must be considered when location the mount and a stop bar must be installed along the top edge of the opening in the ceiling. The stop bar must span the entire width of the front and back openings, and protrude outward into the opening a minimum of 1/2". See **Bottom Cover Location Adjustment** section and (See figure 27)

5. Loosen four screws securing side mounting brackets to mount and adjust side mounting brackets until properly positioned against studs if applicable. (See figure 16)
6. Tighten four screws to hold position of side mounting brackets. (See figure 14)

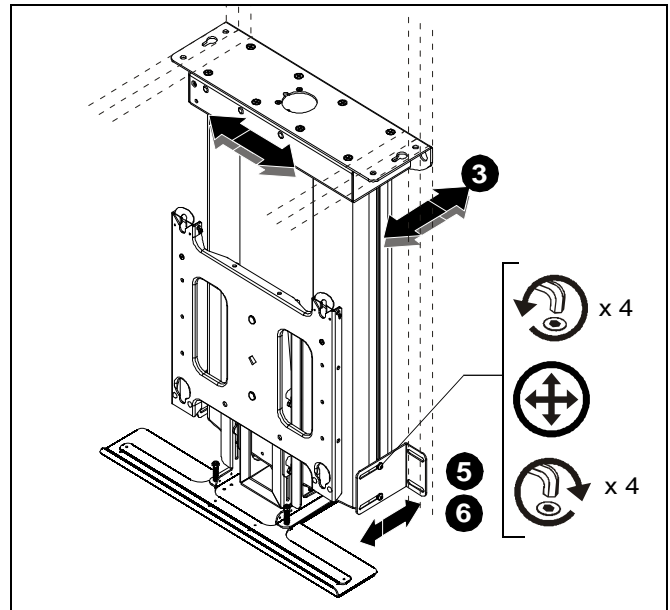


Figure 14

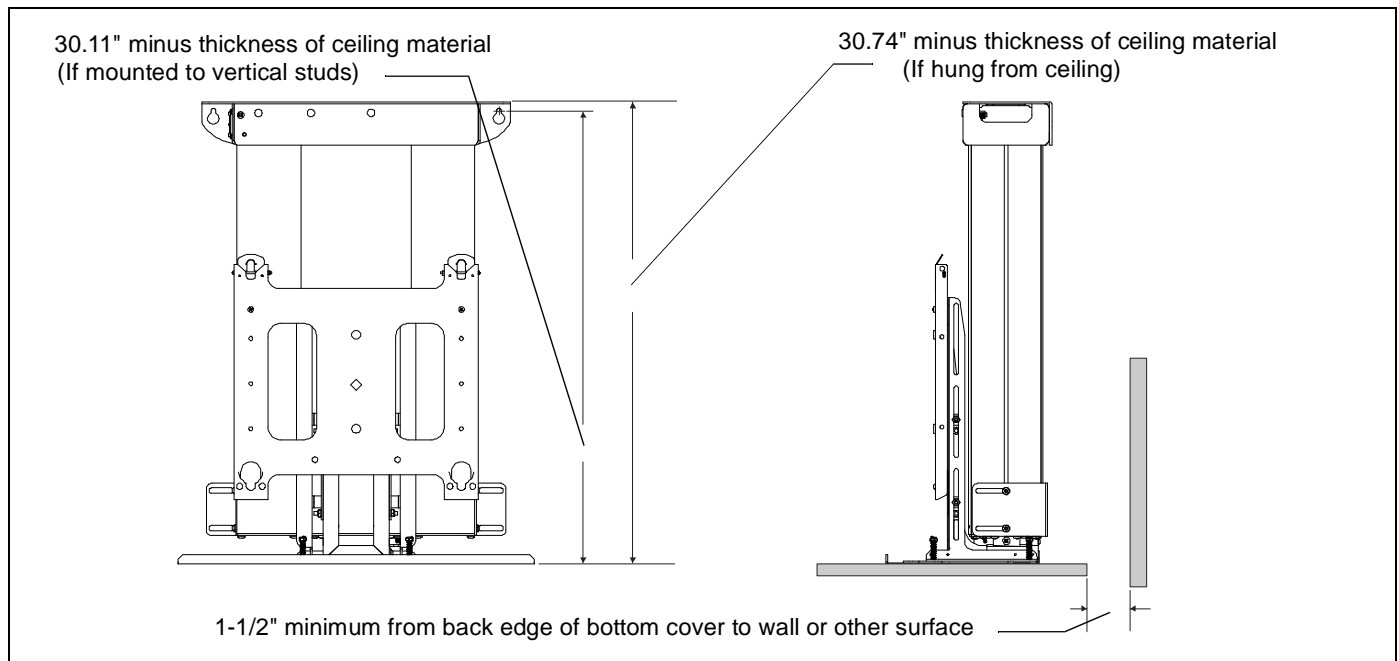


Figure 15

7. While maintaining dimensions referenced in figure 15, mark base plate mounting hole locations. (See figure 16)
8. Drill pilot holes at marked locations.
9. Mark four side bracket mounting hole locations if applicable. (See figure 16)
10. Drill four pilot holes at marked locations.
11. Secure base plate to structure using either two (wall mount) or six (ceiling mount) 5/16" flat washers and two or six six 5/16" x 2 1/2" lag screws. (See figure 16)
12. Secure side brackets, if applicable, to studs using four 5/16" flat washers and four 5/16" x 2 1/2" lag screws. (See figure 16)

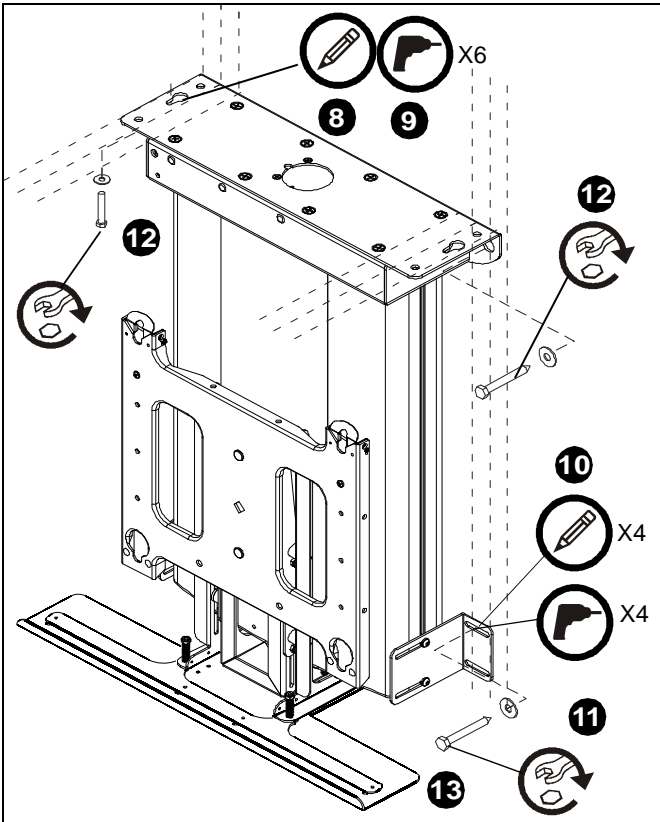


Figure 16

13. Connect mount power cord to outlet.

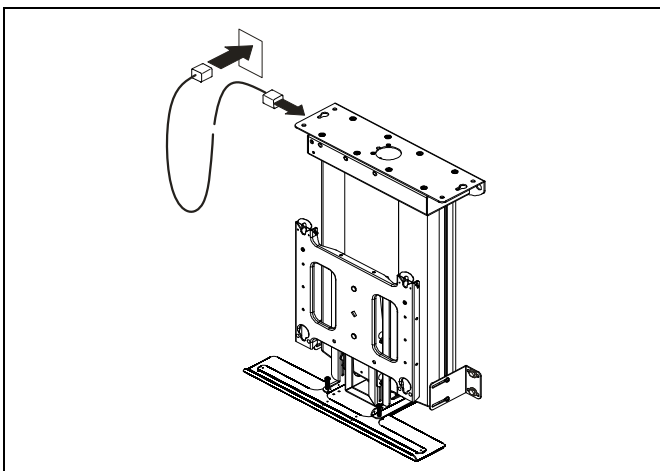


Figure 17

Display Installation



WARNING: EXCEEDING MAXIMUM WEIGHT CAPACITY CAN LEAD TO SERIOUS PERSONAL INJURY OR DAMAGE TO EQUIPMENT! It is the installers responsibility to ensure the total amount of weight placed on the mount does not exceed 190lbs (86.18 kg) the maximum capacity of the CM2C40.



WARNING: PINCH HAZARD! FINGERS OR HANDS BETWEEN MOVING PARTS CAN LEAD TO SEVERE PERSONAL INJURY! Keep fingers and hands away from mount when operating.



WARNING: IMPROPER INSTALLATION CAN LEAD TO MOUNT FALLING CAUSING SEVERE PERSONAL INJURY OR DAMAGE TO EQUIPMENT. Displays can weigh in excess of 40 lbs (18.1kg). ALWAYS use two people and proper lifting techniques when installing display.



WARNING: IMPROPER INSTALLATION CAN LEAD TO MOUNT FALLING CAUSING SEVERE PERSONAL INJURY OR DAMAGE TO EQUIPMENT. Make sure mounting buttons on display are properly seated in mounting holes in faceplate.

To install display:

1. Lower lift using the remote control provided.
2. While supporting both sides of display, align four mounting buttons on display or interface bracket with four mounting holes in faceplate. (See figure 18) and (See figure 19)
3. Lower display into place listening for audible "click" to ensure recessed area of mounting buttons are properly seated in lower area of mounting holes and "click lock" mechanism has engaged. (See figure 18) and (See figure 19)

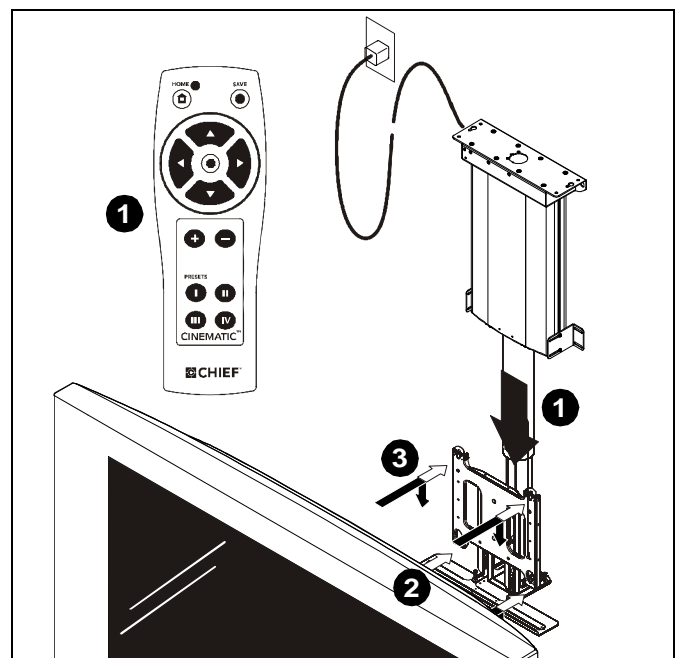


Figure 18

NOTE: Holes are provided in the faceplate for use with a padlock or similar locking device, if desired. In addition, the pin and nut may be removed from the upper holes and moved to the lower holes for use as a more permanent locking device. (See figure 19)

WARNING: IMPROPER INSTALLATION CAN LEAD TO SEVERE PERSONAL INJURY OR DAMAGE TO EQUIPMENT! Make sure all four nuts are tight before continuing installation!

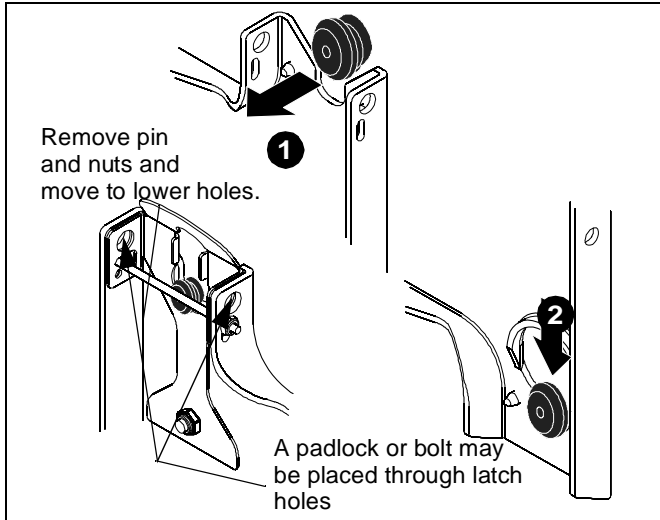


Figure 19

4. Loosen four nuts securing right and left hand bottom cover adjustment brackets to faceplate mounting bracket. (See figure 20)
5. Slide bottom cover adjustment brackets upward or downward until lip on bracket is positioned 1/4" below the bottom of display. (See figure 21)
6. Tighten four nuts to secure bracket in position. (See figure 20)

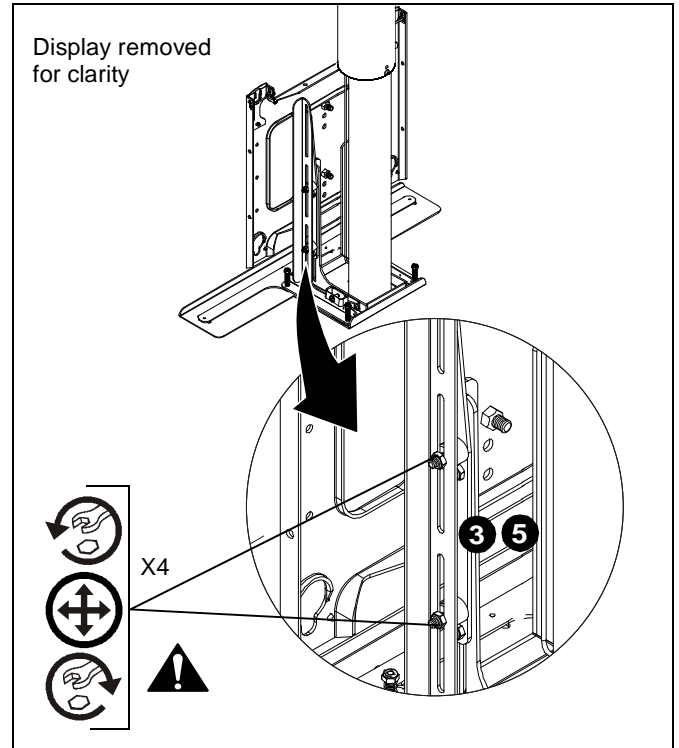


Figure 20

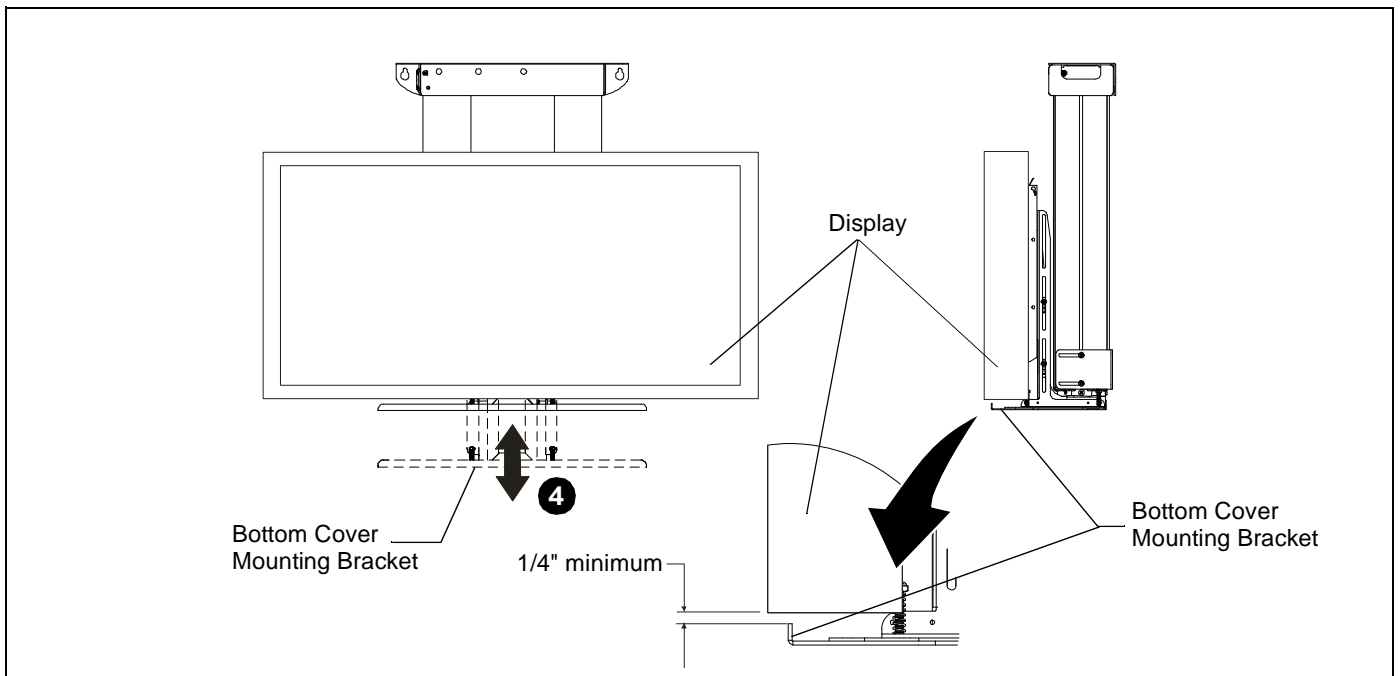


Figure 21

Bottom Cover Installation

After the CM2C40 has been properly configured for the display and the display installed, the bottom cover height must be adjusted to ensure proper fit into ceiling.

WARNING: IMPROPER INSTALLATION CAN LEAD TO SEVERE PERSONAL INJURY OR DAMAGE TO EQUIPMENT! Weight of bottom cover MUST NOT exceed 25 lbs (11.34kg).

To install the bottom cover :

1. Measure the distance between the bottom of bottom cover mounting plate and the top edge of the opening in the ceiling and record dimension for future use.

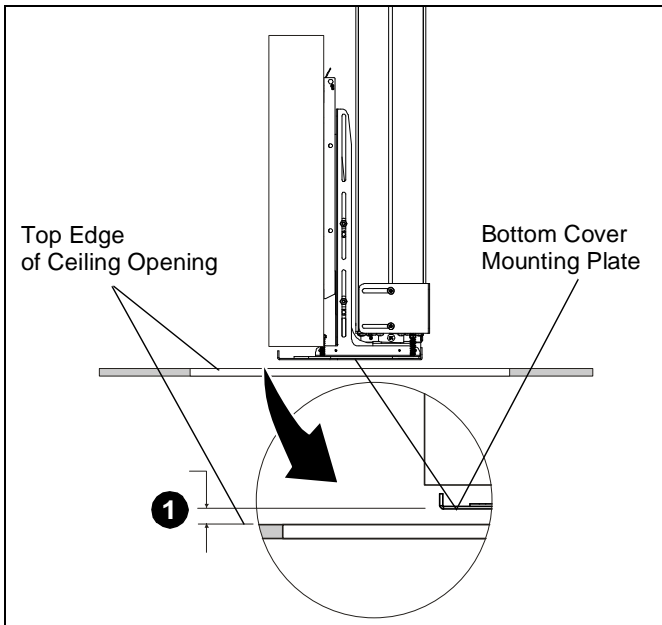


Figure 22

2. If the dimension identified during step 1 above is equal to or less than the thickness of the bottom cover being installed, the display travel limits must be adjusted before continuing to avoid a collision scenario between the bottom cover and the ceiling. Refer to step 6 below.
3. If the dimension identified during step 1 above greater than the thickness of the bottom cover being installed, lower the display using the remote control until locknuts securing right and left cover adjustment brackets can be accessed. (See figure 23)

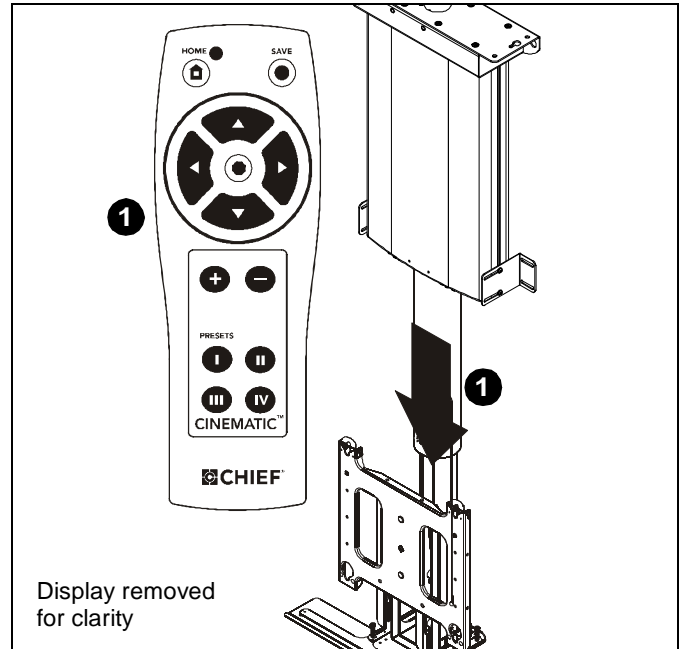


Figure 23

4. Prepare bottom cover by cutting to appropriate size, allowing for clearance between cover and opening in ceiling, and drilling 6 through holes using the dimensions and pattern in the figure below. (See figure 24)

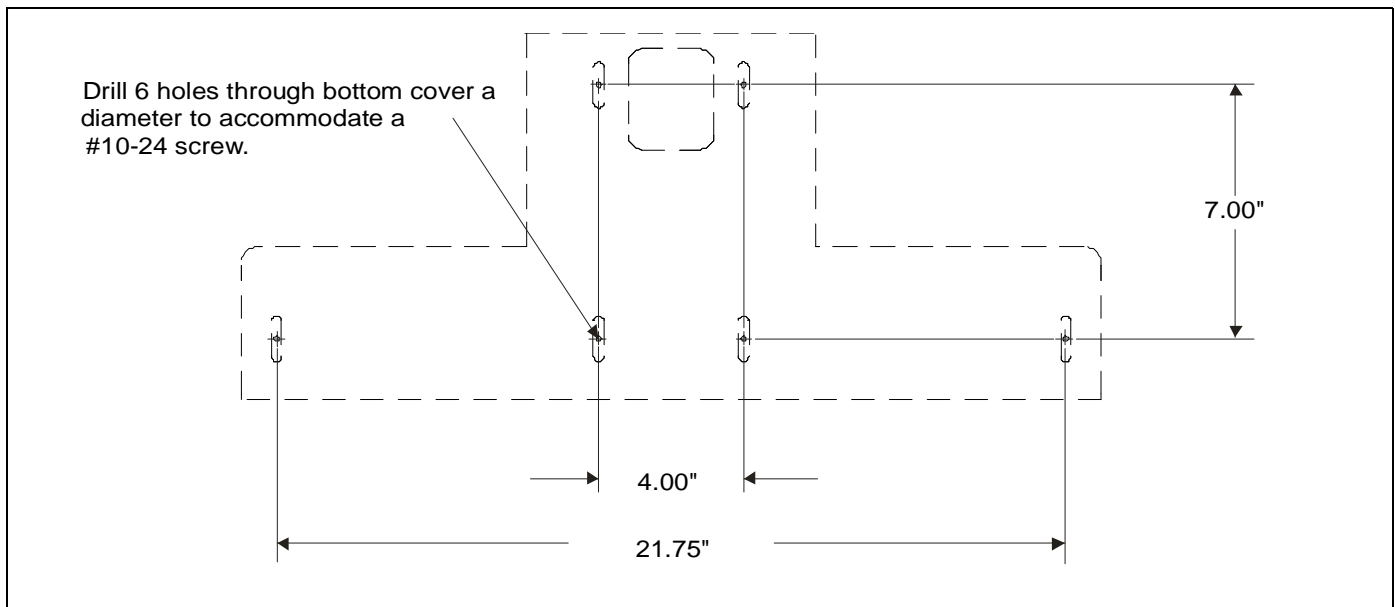


Figure 24

- Assemble bottom cover to cover mounting plate using #10-24 screws a minimum of 1/4" plus the thickness of the cover material long. (not provided). (See figure 25)

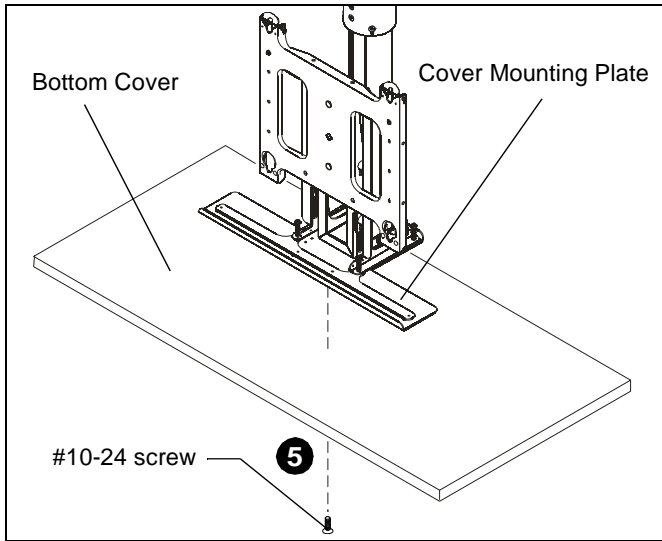


Figure 25

Bottom Cover Location Adjustment

The CM2C40 is designed to allow the adjustment of both "Extend" and "Retract" display travel limits. The CM2C40 is shipped set at maximum extension and retraction.

NOTE: The mount is designed to continue traveling 1/2" after the bottom cover makes contact with an object when being raised. If it is desired to use this feature when installing the bottom cover a stop bar must be installed along the top edge of the opening in the ceiling. The stop bar must span the entire width of the front and back openings, and protrude outward into the opening a minimum of 1/2". This 1/2" of travel must be taken into consideration during mount installation. (see page 10)

There is an upward travel limit adjustment screw and a downward travel limit adjustment screw located on the top right hand side of the mount. (See figure 27)

NOTE: 10 full turns of the "Extend" or "Retract" travel adjustment screws is equal to 1" of display travel.

- Turning the "Extend" travel adjustment screw clockwise will increase the amount of display downward travel. Turning the "Extend" adjustment screw counter-clockwise will decrease the amount of display downward travel.
- Turning the "Retract" travel adjustment screw clockwise will decrease the amount of display upward travel. Turning the "Retract" adjustment screw counter-clockwise will increase the amount of display downward travel.
- Adjust travel until bottom cover is flush with ceiling. (See figure 26) and (See figure 27)

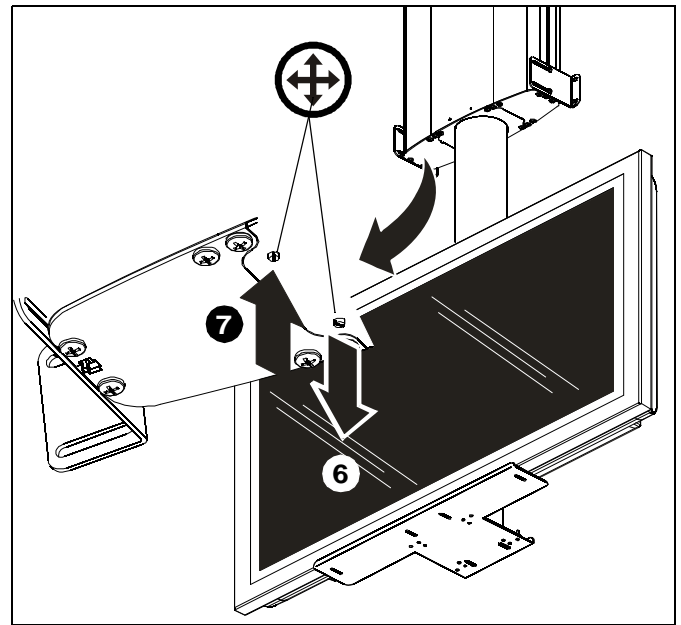


Figure 26

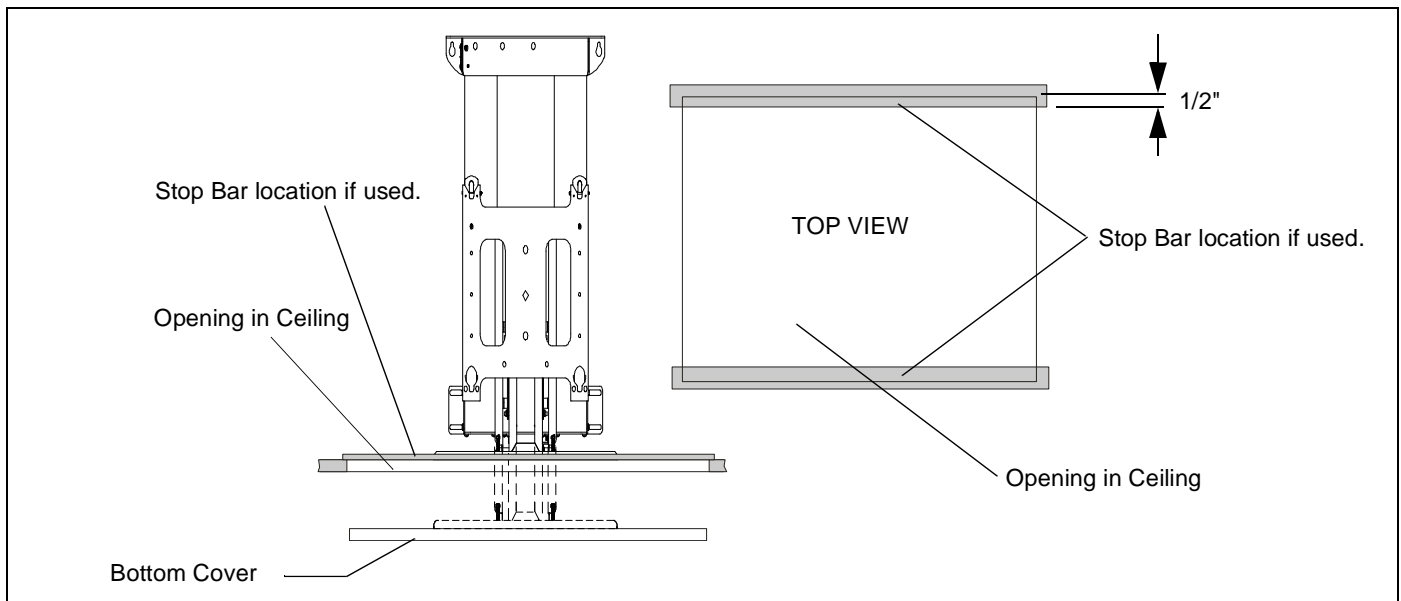


Figure 27

Lift Column Bearing Adjustment

The upper and lower lift columns are aligned using two lift bearings, one upper and one lower.

Bearing adjustment is pre-set at the factory, however, there may be times when it is required to make slight adjustments in bearing tightness to eliminate excess play in lift columns or noise.

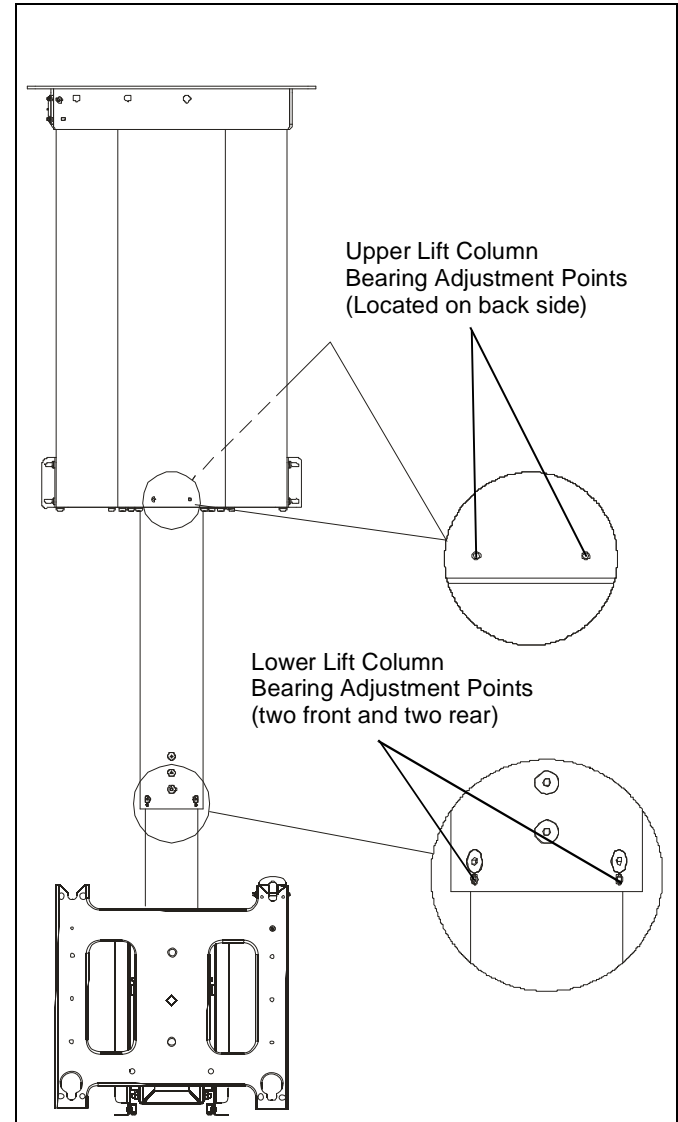


WARNING: OVERTENSIONING CAN LEAD TO DAMAGE TO EQUIPMENT! DO NOT overadjust!

IMPORTANT ! : Display should be installed on mount prior to performing lift column bearing adjustment!

To adjust lift column bearings:

1. Determine if it is the upper or lower lift column that requires adjustment.
2. Using a hex wrench, turning in small increments evenly across all adjustment screws, loosen or tighten adjustment screws.
3. Run lift to fully up, and fully down position and verify proper lift column movement.
4. Repeat steps 1 through 3 until desired lift column movement is achieved.



Extended Programming Capabilities

The CM2C40 allows for extended programming to make the mount compatible with other devices such as a Universal Remote or other control devices through a serial connection.

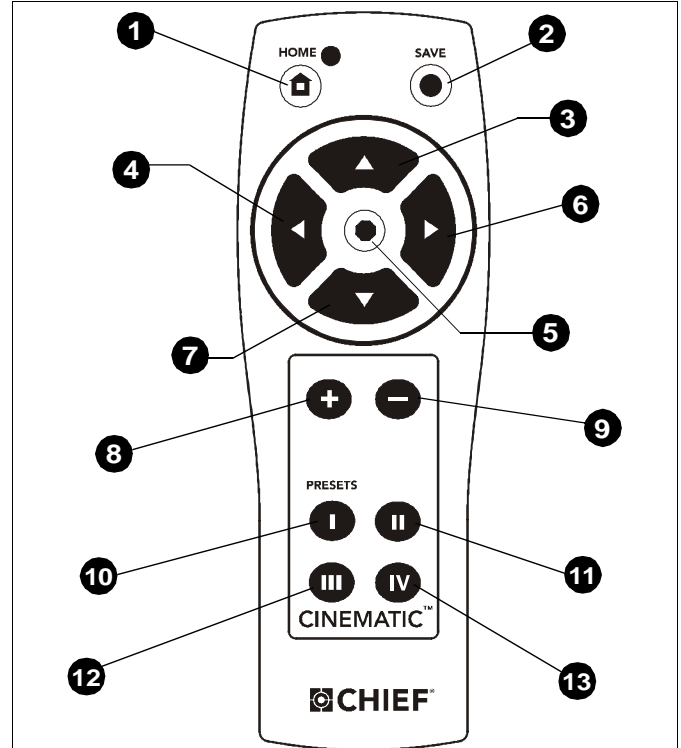
Setting or changing the configuration of the CM2C40 is done through the remote control provided with the mount.

The remote control has a range of 20-30ft (6-9m), and is powered by 2 AAA batteries that are accessed from the back of the remote.

NOTE: If operation of the mount is required at a greater distance than remote control will allow, the mount can be controlled through a hardwired switch or similar device. See **Dry Contact Closures** and (See figure 31) .

The following table and illustration identify mount functionality and response by button on the remote control(s).

Normal Operating Mode



KEY	FUNCTION	REQUIRED ACTION
1	NOT USED	N/A
2	NOT USED	N/A
3	EXTEND DISPLAY	PRESS
4	NOT USED	N/A
5	STOP	PRESS
6	NOT USED	N/A
7	RETRACT DISPLAY	PRESS
8	NOT USED	N/A
9	NOT USED	N/A
10	NOT USED	N/A
11	NOT USED	N/A
12	NOT USED	N/A
13	NOT USED	N/A

Figure 28

IR-SE15 Programming

IR-SE15 Control Features:

- Carrier Frequency:38KHz
- Protocol:NEC - Full Repeat
- System Code(s):6E (Default) - Multiple Codes Selected via Key-Press (see below)

Table 1: IR-SE15 Control Codes

KEY	FUNCTION	HEX CODE
1	NOT USED	N/A
2	NOT USED	N/A
3	EXTEND DISPLAY	07
4	NOT USED	N/A
5	STOP	0A
6	NOT USED	N/A
7	RETRACT DISPLAY	0D
8	NOT USED	N/A
9	NOT USED	N/A
10	NOT USED	N/A
11	NOT USED	N/A
12	NOT USED	N/A
13	NOT USED	N/A

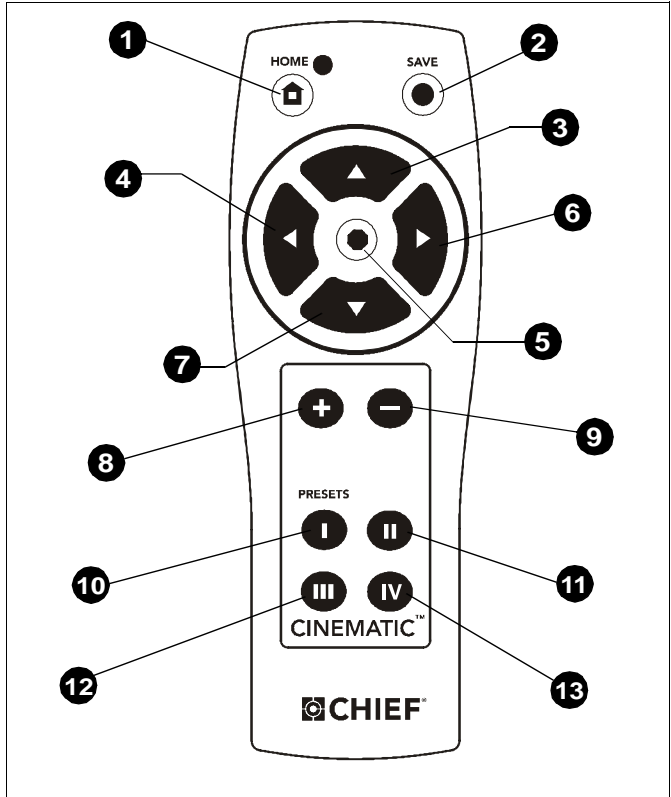


Figure 29

To Change System Code:

1. Press and Release Key 3 + 7 (Enter Setup Mode)
2. Press and Release Key 10
3. Press and Release Key 11 - LED Blinks Twice <Quick>
4. Select System Code - See Table Below
5. Press and Release Key 2 - LED Blinks 4 times <Quick> (Exit Setup Mode)

Table 2:

System Code	Press + Release
6E (Default)	10, 10
E1	10, 13
E2	11, 11
E3	11, 12
E4	11, 13
E5	12, 12
E6	12, 13
E7	13, 13

Serial Communications

NOTE: Check with the appropriate automation system vendor for available drivers and/or software for any external devices.

Notes:

[PR] = Product ID (CM2C40 = 02)

[AD] = Address (see address description & table)

[CR] = ASCII Carriage Return

[CH] = Check Code

[ST] = Status (see status table)

Address Description

Multiple Chief devices can be used on the same network by setting each device to a different address.

NOTE: All units ship with a default address of 00.

NOTE: Broadcast messages will command all devices on the same network.

Connections to be made to 9 pin connector as follows:

RS-485 REF	Pin 7
RS-485 +	Pin 9
RS-485 -	Pin 8

Communication parameters as specified in ANSI TIA/EIA-485-A:

Baud Rate:	9600
Data Length:	8 Bits
Parity:	None
Stop Bit:	1
Flow Control:	None

SERIAL CONTROL COMMAND STRING

Start of Message (HEX)	Product ID (HEX)	Address (HEX)	Command (HEX)	Message Data (HEX)	Check Code (HEX)	End of Message (HEX)
>	XX	XX	XX	XX	XX	[Carriage Return]

- **Product ID** for the CM2C40: **02**
- **Address** controlled by dip switch settings
- **Basic Commands** available for the CM2C40 in the factory-supplied configuration:
 - **03: Cancel Move** = >0500037D[Carriage Return]
 - **10: Extend to End of Travel** = >0500107B0D[Carriage Return]
 - **12: Retract to End of Travel** = >0500127D0D[Carriage Return]
- **Message Data** = The data is required for the available commands:
 - **03:** None
 - **10:** None
 - **12:** None
- **Check Code** is calculated.

For further information, reference the Advanced Programming document and the website calculator.

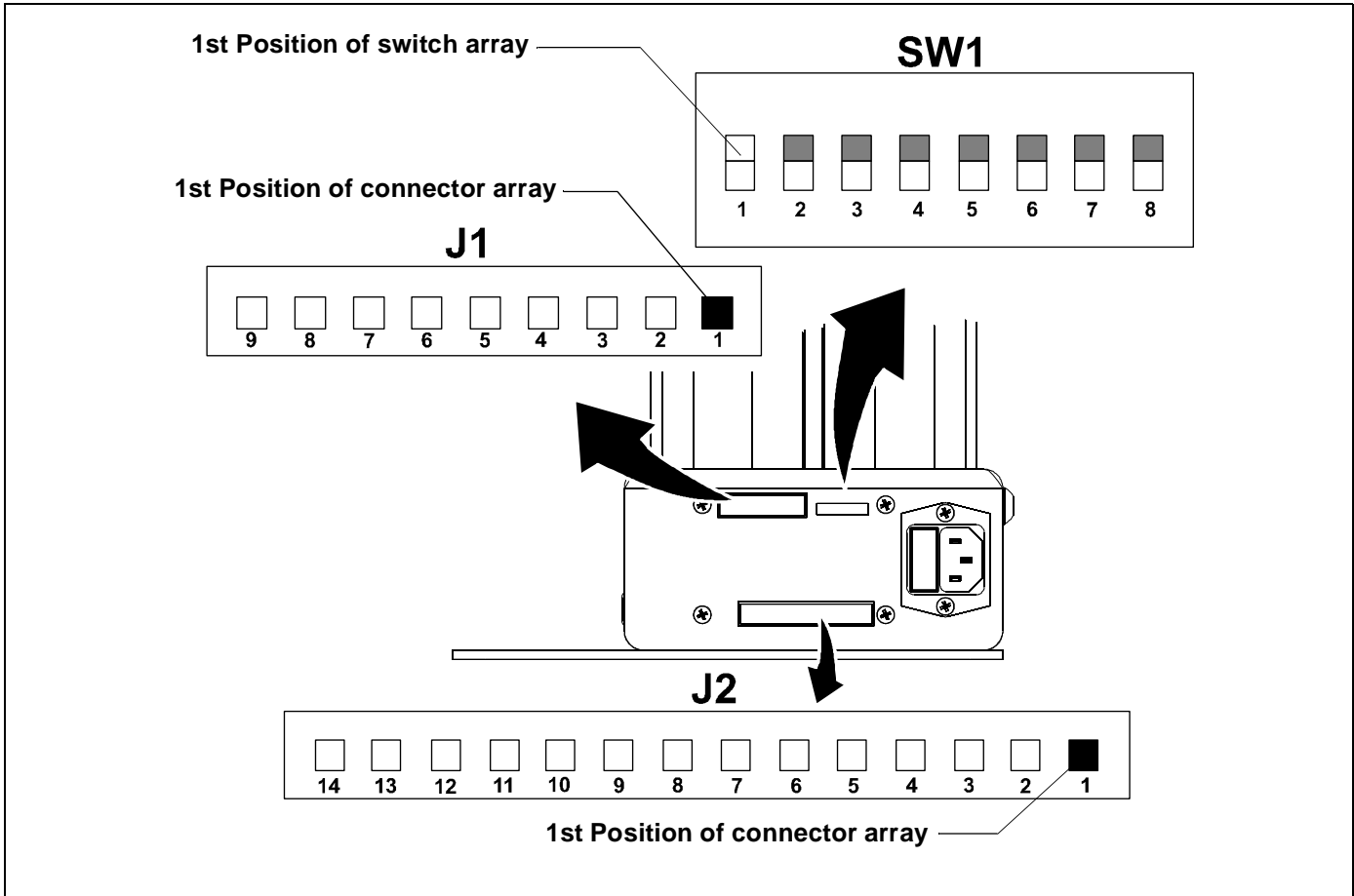


Figure 30

CM2C40 Interface Board Hardware Information

(See figure 30)

Dry Contact Closures

The unit provides dry contact outputs for system feedback, or to control other devices.

To complete circuits to external devices:

1. Connect the common wire from your switch to terminal 7. (See figure 31)
2. Connect the 'up' wire from your switch to terminal 5.
3. Connect the 'down' wire from your switch to terminal 6.

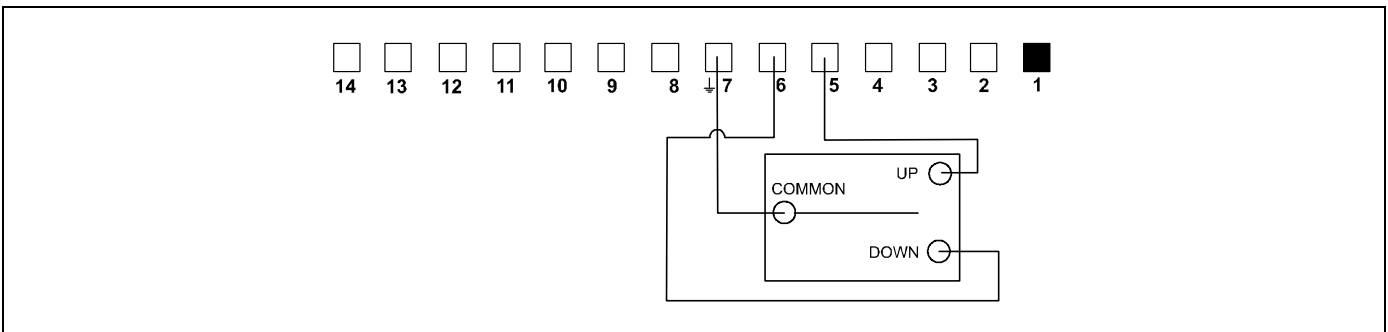


Figure 31

J1	
Pin 1	Isolated Extend/Retract Input (+)
Pin 2	Isolated Extend/Retract Input (-)
Pin 3	Isolated Voltage Sense Input (+)
Pin 4	Isolated Voltage Sense Input (-)
Pin 5	24V DC Supply Out (150ma Max.)
Pin 6	Ground
Pin 7	RS485 Ref.
Pin 8	RS485 (+)
Pin 9	RS485 (-)

J2	
Pin 1	Not Used
Pin 2	Not Used
Pin 3	Not Used
Pin 4	Not Used
Pin 5	Move Extend Terminal Input
Pin 6	Move Retract Terminal Input
Pin 7	Ground
Pin 8	Extend Error Input
Pin 9	Retract Error Input
Pin 10	Ground
Pin 11	Extend Limit Out
Pin 12	Extend Limit Out Return
Pin 13	Retract Limit Out
Pin 14	Retract Limit Out Return

Other Dry Contact Options

Extend Retract with Single Switch

Using 9 pin Connector. (See figure 30) and (See figure 32)

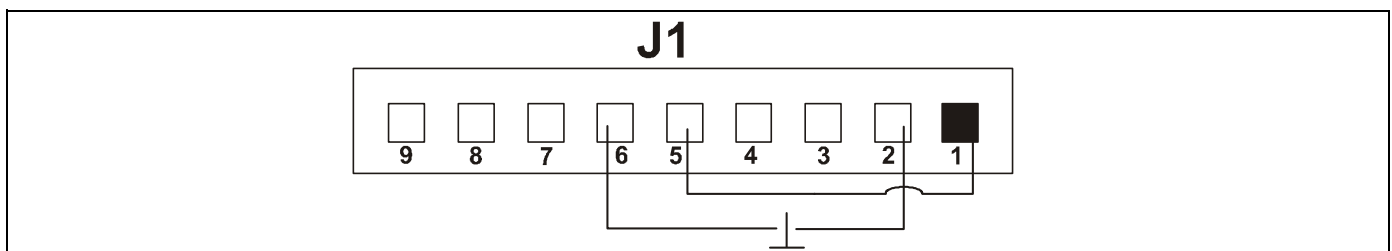


Figure 32

Voltage Sense External Power Source

Unit extends and stays extended when voltage from an external source is applied across pins 3 and 4 on connector J1. When voltage is removed unit retracts. (See figure 30) and (See figure 33)

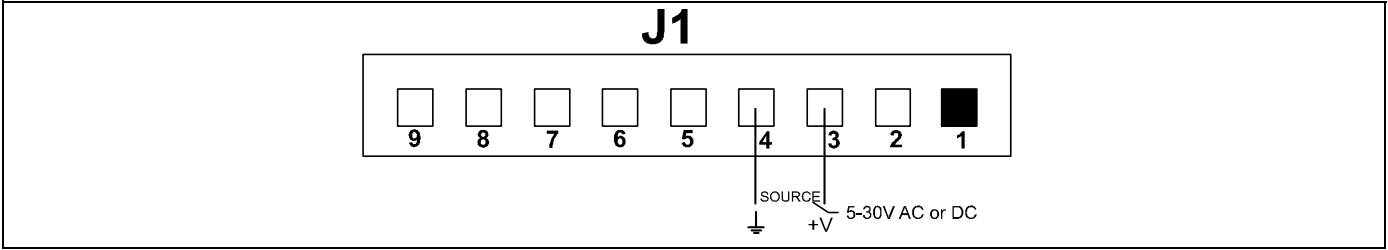


Figure 33

Voltage Sense Internal 24V DC Power Source

The 24V DC power supply that is built into the unit can be used to power external devices by using pins 5 and 6 on connector J1.

NOTE: Using this input will force a complete UP/DOWN cycle of the unit. No other inputs, with the exception of error inputs, are available until the cycle has completed. (See figure 30) and (See figure 34)

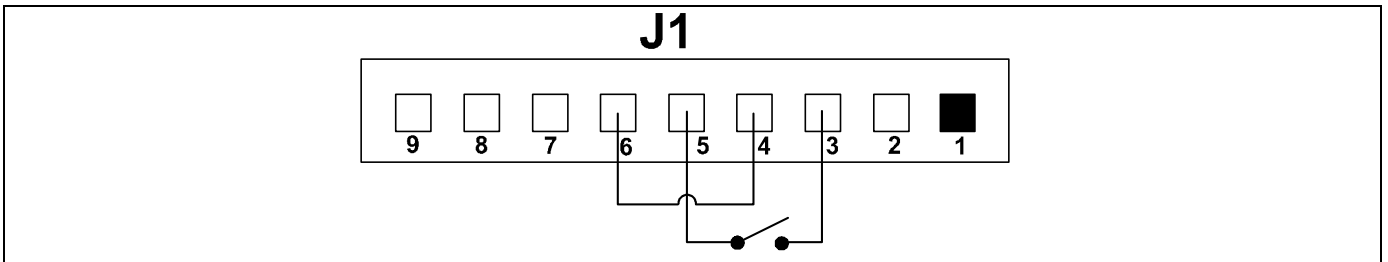


Figure 34

Extend Error Input

NOTE: Units are shipped with error contacts "Normally Open". To set unit to respond to "Normally Closed" error contacts contact a Chief Technical Support representative.

When unit receives an Extend error signal during an extend operation, the unit will immediately stop and reverse direction.

(See figure 30) and (See figure 35)

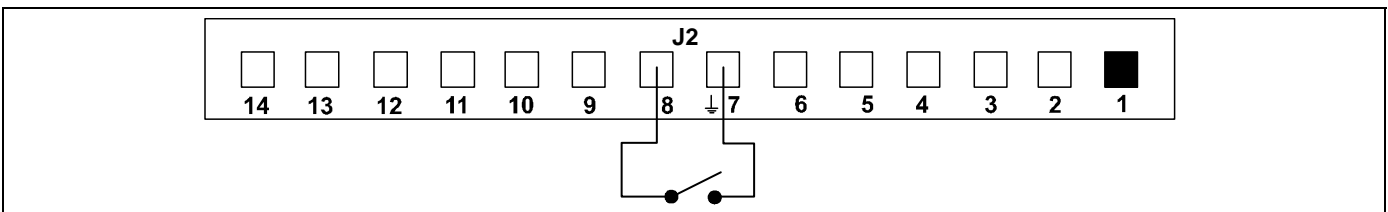


Figure 35

Retract Error Input

NOTE: Units are shipped with error contacts "Normally Open". To set unit to respond to "Normally Closed" error contacts contact a Chief Technical Support representative by calling 1-800-582-6480, or by visiting www.chiefmfg.com.

When unit receives a Retract error signal during a Retract operation, the unit will immediately stop and reverse direction.

(See figure 30) and (See figure 36)

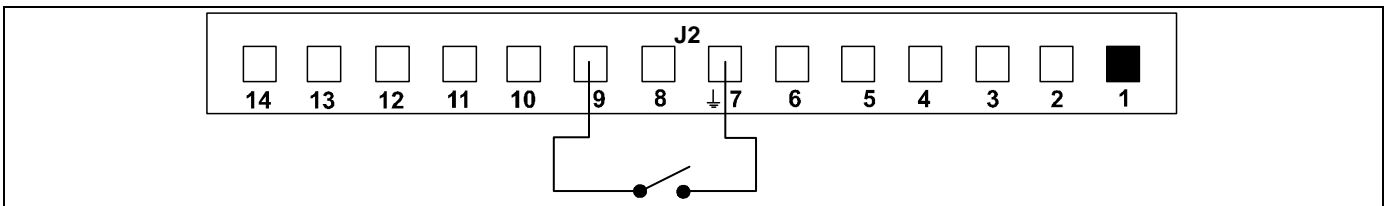


Figure 36

Extend Limit Option

Internal set of dry contacts close when unit is fully extended.

Contact Rating: 30V AC or DC 1A max.

(See figure 30) and (See figure 37)

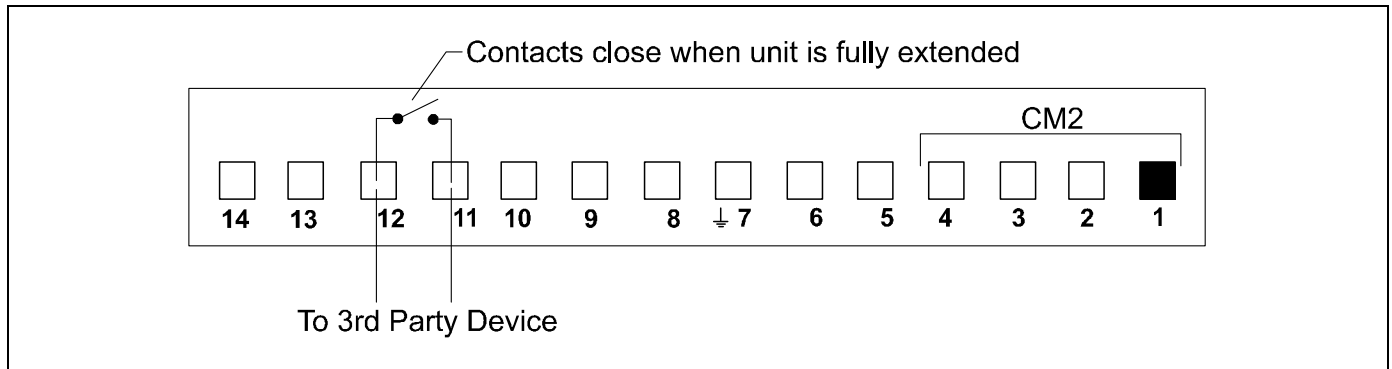


Figure 37

Retract Limit Option

Internal set of dry contacts close when unit is fully retracted.

Contact Rating: 30V AC or DC 1A max.

(See figure 30) and (See figure 38)

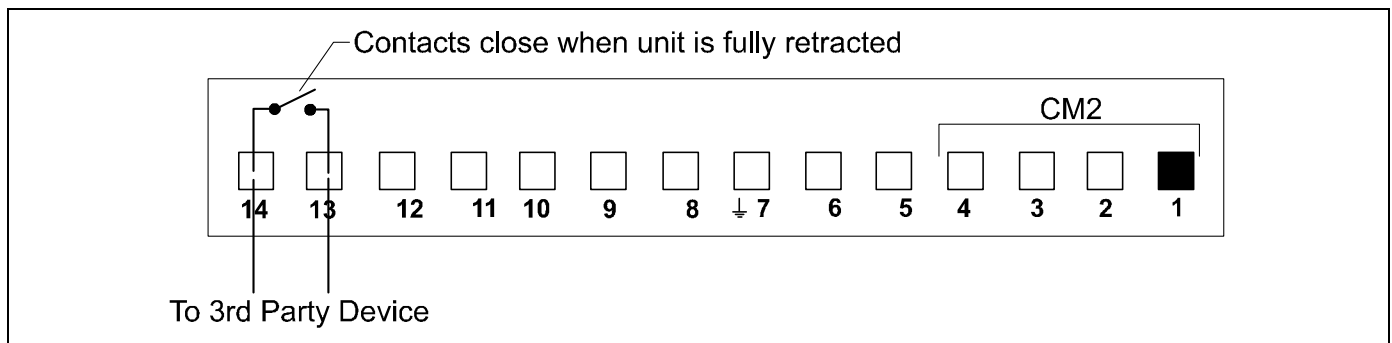


Figure 38

NOTE: Multiple control features can be used at the same time with the exception of the "Voltage Sense" feature.

Example: IR or Serial control along with a momentary pushbutton for service and a discreet UP/Down wall switch for operation.

IMPORTANT ! : When using multiple control features make sure ALL contacts are momentary and "Normally OPEN"

Connector and Switch Assignments

All Dipswitches are in the "OFF" position when shipped from factory.

SW1	
Switch 1	IR
Switch 2	IR
Switch 3	IR
Switch 4	Not Used
Switch 5	Not Used
Switch 6	485 Address
Switch 7	485 Address
Switch 8	485 Address

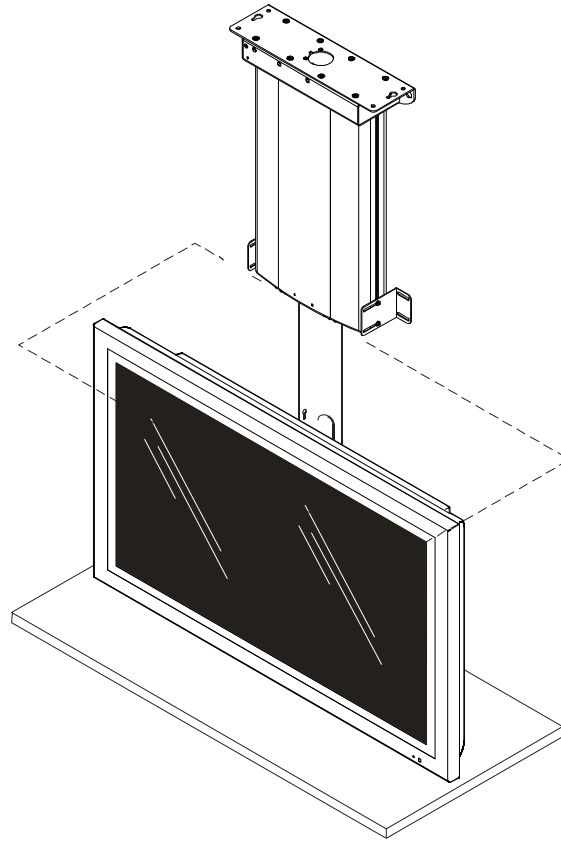
IR System Code Select Logic			
Switch Settings (Sw 1-3)			IR System Code
Select 2	Select 1	Select 0	
OFF	OFF	OFF	6E
OFF	OFF	ON	E1
OFF	ON	OFF	E2
OFF	ON	ON	E3
ON	OFF	OFF	E4
ON	OFF	ON	E5
ON	ON	OFF	E6
ON	ON	ON	E7

RS485 Address Select Logic			
Switch Settings (Sw 6-8)			RS485 Network Address
Select 2	Select 1	Select 0	
OFF	OFF	OFF	00
OFF	OFF	ON	01
OFF	ON	OFF	02
OFF	ON	ON	03
ON	OFF	OFF	04
ON	OFF	ON	05
ON	ON	OFF	06
ON	ON	ON	07

Troubleshooting

SYMPTOM	POSSIBLE CAUSE	CORRECTIVE ACTION
Lift does not respond	<ul style="list-style-type: none"> No Power to Mount 12V trigger option being used Overheated motor 	Verify Power to Mount Normal Operation See "Low Voltage Sensing" section Allow motor to cool for 10 to 15 minutes

INSTRUCCIONES DE INSTALACIÓN



Elevador automatizado de techo para televisor de pantalla plana

Este dispositivo cumple con la Sección 15 de las normas de la Comisión Federal de Comunicaciones (FCC, por sus siglas en inglés) de los Estados Unidos. Su operación se encuentra sujeta a las dos condiciones siguientes: (1) este dispositivo no debe causar interferencias nocivas y (2) debe aceptar toda interferencia recibida, incluida aquella que pudiera provocar efectos indeseados en la operación.

Sobre la base de pruebas realizadas, se ha determinado que este equipo cumple con los límites establecidos para los dispositivos digitales de Clase B, en un todo de acuerdo con la Sección 15 de las normas de la FCC. Dichos límites tienen por objetivo brindar protección razonable contra interferencias nocivas en instalaciones residenciales. Este equipo genera, emplea y puede emitir ondas de radiofrecuencia. Si no se instala y utiliza de acuerdo con las instrucciones, puede causar interferencias nocivas a comunicaciones de radio o de televisión. No obstante, no es posible garantizar que no habrá interferencias en una instalación en particular. Si el dispositivo causara interferencias nocivas a la recepción de radio o de televisión, lo cual puede determinarse encendiendo y apagando el equipo, el usuario puede corregir dicha interferencia mediante alguna de las siguientes acciones:

- Cambiar la orientación o la ubicación de la antena receptora.
- Incrementar la separación entre el equipo y el receptor.
- Enchufar el equipo en un tomacorriente de un circuito distinto del circuito en que se encuentra conectado el receptor.

Solicite asistencia al distribuidor o a un técnico de radio o de televisión experimentado.

 **CHIEF**[®]

Our Mounts. **Your Vision.**

CM2C40

Milestone AV Technologies y sus filiales y compañías asociadas (conjuntamente, "Milestone") procuran que este manual sea preciso y esté completo. No obstante, Milestone no garantiza que la información aquí incluida proporcione todos los detalles, las condiciones o las variaciones existentes, ni contemple todas las posibles contingencias relacionadas con la instalación o el uso de este producto. La información brindada en este manual puede sufrir modificaciones sin previo aviso, sin que ello genere obligaciones de ningún tipo. Milestone no otorga garantía alguna, ni expresa ni implícita, respecto de la información aquí incluida. Milestone no se responsabiliza de que la información contenida en este documento sea precisa o suficiente, ni de que esté completa.



ADVERTENCIAS Y PRECAUCIONES IMPORTANTES

Los mensajes titulados **PELIGRO**, **ADVERTENCIA**, **PRECAUCIÓN**, **IMPORTANTE** y **NOTA** se utilizan en este manual y en el producto para alertar al lector o al operador respecto de situaciones o condiciones peligrosas o bien para brindar información importante sobre la operación o el mantenimiento del equipo.

CONSERVE ESTE MANUAL DE INSTRUCCIONES.



ADVERTENCIA: Alerta al usuario sobre la posibilidad de sufrir lesiones graves o incluso la muerte si no sigue las instrucciones.



PRECAUCIÓN: Alerta al usuario sobre la posibilidad de que el equipo se dañe o resulte destruido si no sigue las instrucciones.



ADVERTENCIA: NO LEER Y RESPETAR LAS INSTRUCCIONES QUE SIGUEN PUEDE CAUSAR LESIONES GRAVES, OCASIONAR DAÑOS AL EQUIPO O DEJAR SIN EFECTO LA GARANTÍA DEL FABRICANTE. Es responsabilidad del instalador asegurarse de que todos los componentes estén correctamente ensamblados e instalados de acuerdo con las instrucciones proporcionadas. Lea todas las instrucciones antes de utilizar este equipo.



PELIGRO: PARA REDUCIR EL RIESGO DE DESCARGA ELÉCTRICA:

- Antes de limpiar el equipo, SIEMPRE desenchúfelo del tomacorriente.



ADVERTENCIA: PARA REDUCIR EL RIESGO DE INCENDIO, QUEMADURAS, DESCARGAS ELÉCTRICAS Y LESIONES:

- Antes de colocar o quitar piezas, desenchufe el equipo del tomacorriente.
- Si el equipo es utilizado por niños, discapacitados o personas inválidas, supervise atentamente su operación.
- Utilice el equipo únicamente para lo que fue diseñado y de acuerdo con este manual. NO utilice conexiones que no estén recomendadas por el fabricante.
- NUNCA opere el equipo si no funciona correctamente, si sufrió daños, si se cayó al piso o en el agua o si el cable o el enchufe están deteriorados. En estos casos, lleve el equipo a un centro de servicio técnico para su revisión y reparación.
- Mantenga el cable alejado de superficies calefaccionadas.
- NUNCA opere el equipo si los orificios de ventilación están bloqueados. Manténgalos libres de pelusas y de toda suciedad.
- NUNCA introduzca nada en los orificios del equipo. Evite que caigan objetos en su interior.
- NO utilice el equipo al aire libre.
- NO opere el equipo en lugares donde se utilicen productos en aerosol o donde se administre oxígeno.
- Para desconectar el equipo, coloque todos los controles en la posición de apagado (*Off*) y luego desenchufe el cable del tomacorriente.



ADVERTENCIA: RIESGO DE DESCARGA ELÉCTRICA. Enchufe el dispositivo sólo a un tomacorriente que esté debidamente conectado a tierra.



PRECAUCIÓN: UN EXTREMO DEL CABLE DE ALIMENTACIÓN DEBE QUEDAR EN UN LUGAR ACCESIBLE EN TODO MOMENTO. NO bloquee ni impida el acceso al enchufe en ningún momento.



PRECAUCIÓN: Los cambios o modificaciones a esta unidad que no estén expresamente aprobados por el fabricante pueden hacer que el equipo deje de cumplir con las normas de la FCC y que su uso sea ilegal.

ÍNDICE

REQUISITOS DE INSTALACIÓN 30
 Requisitos de alimentación y cableado 30

INSTALACIÓN 30
 Configuración y ajustes para la instalación 30
 Configuración del soporte según el televisor elegido 30
 Instalación y tendido de cables 32
 Instalación del soporte 35
 Instalación del televisor 36
 Instalación de la cubierta inferior 38

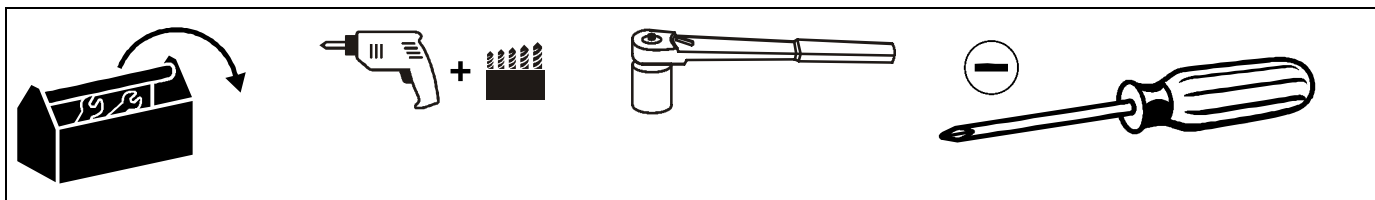
AJUSTES 39
 Ajuste del desplazamiento de la cubierta inferior 39
 Ajuste de los cojinetes de las columnas de elevación 40

Funciones de programación avanzadas 41
 Programación del control remoto SE15 42
 Comunicaciones en serie 43

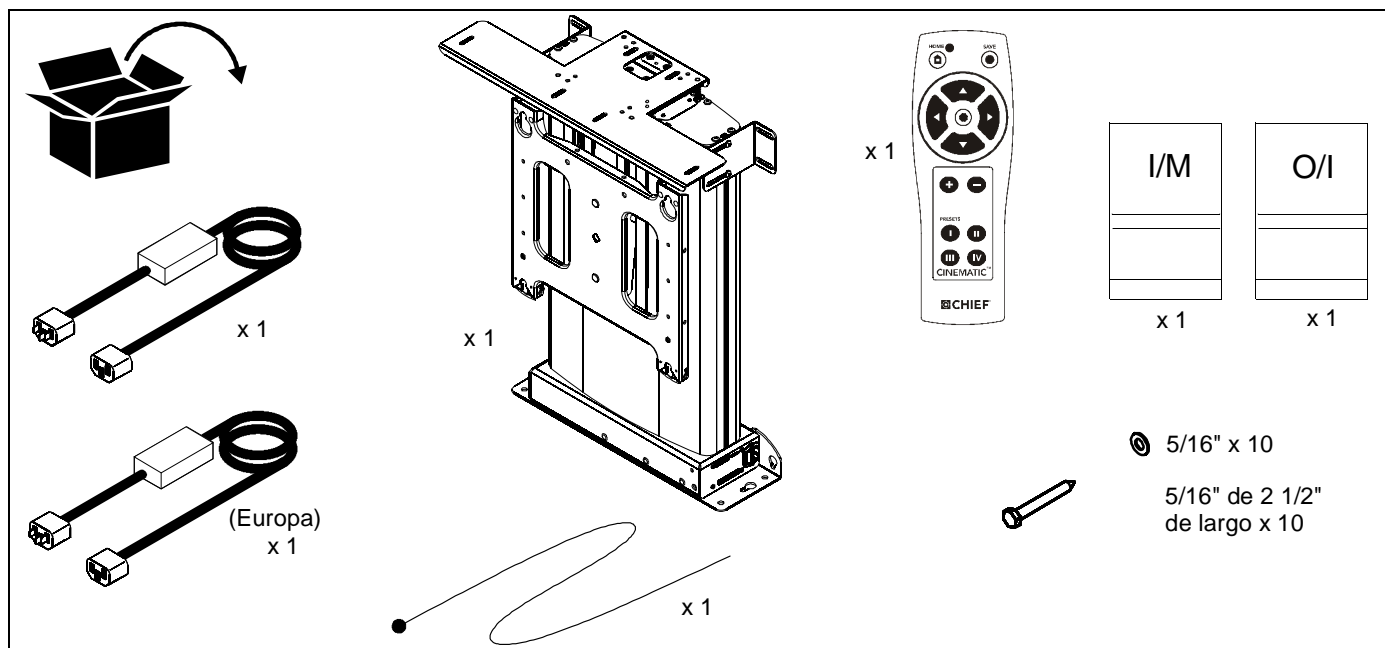
Referencia del soporte físico del CM2 44
 Información sobre la placa de interfaz del CM2 44
 Cierres de contactos secos 44
 Otras opciones de contactos secos 45
 Asignación de conectores e interruptores 47

Solución de problemas 48



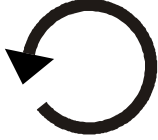









HERRAMIENTAS NECESARIAS PARA LA INSTALACIÓN

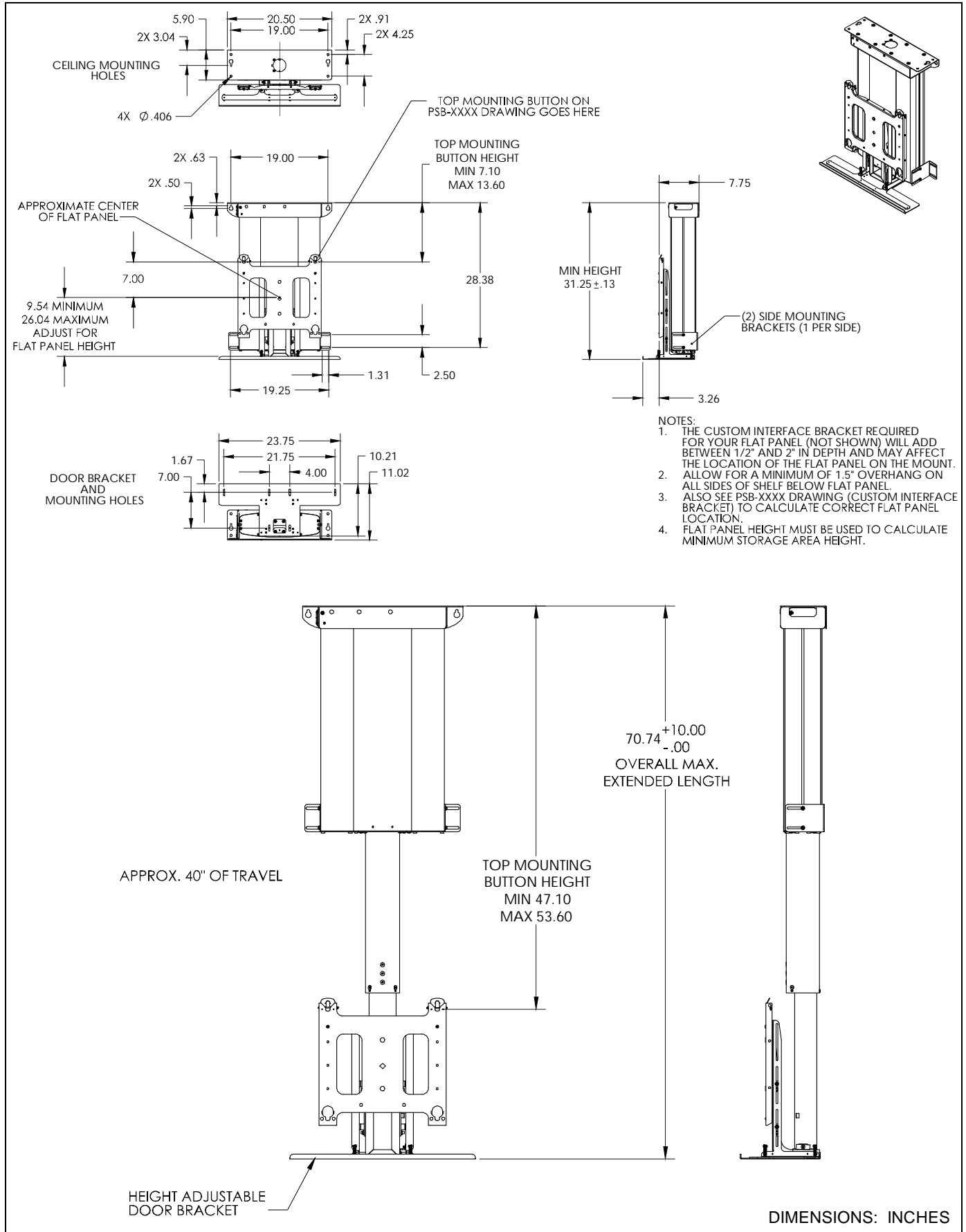


PIEZAS



REFERENCIAS

	<p>Tighten Fastener Apretar elemento de fijación Затянуть крепежный элемент</p>		<p>Pencil Mark Marcar con lápiz Карандашная пометка</p>
	<p>Loosen Fastener Aflojar elemento de fijación Ослабить крепежный элемент</p>		<p>Drill Hole Perforar Просверлить отверстие</p>
	<p>Phillips Screwdriver Destornillador Phillips Крестообразная отвертка</p>		<p>Adjust Ajustar Отрегулировать</p>
	<p>Open-Ended Wrench Llave de boca Открытый рожковый ключ</p>		<p>Remove Quitar Удалить</p>
	<p>By Hand A mano Вручную</p>		<p>Optional Opcional Необязательно</p>
	<p>Hex-Head Wrench Llave de cabeza hexagonal Ключ с шестигранной головкой</p>		<p>Security Wrench Llave de seguridad Специальный ключ</p>



REQUISITOS DE INSTALACIÓN

El CM2C40 ha sido diseñado para ser colgado de una estructura en altura o para ser montado en paredes existentes con estructura de montantes.



ADVERTENCIA: SI NO SE INSTALA CORRECTAMENTE, EL ELEVADOR PUEDE VOLCARSE Y CAUSAR LESIONES GRAVES O DAÑOS AL EQUIPO. Es responsabilidad del instalador asegurarse de que la estructura en la que se va a montar el elevador soporte cuatro veces el peso del elevador y del equipo que sostendrá.

Requisitos de alimentación y cableado

Para su funcionamiento, el CM2C40 requiere una alimentación de 120 V de CA (220/240 V CA 50 Hz para instalaciones europeas).

El soporte incluye un cable de alimentación de 1,83 m (6 pies).

INSTALACIÓN

Configuración y ajustes para la instalación

Antes de instalar el CM2C40, deberá configurar el soporte según el televisor elegido, instalar y tender los cables, y ajustar el soporte de sujeción de la cubierta superior.

Para preparar el CM2C40 para su instalación:

1. Extraiga el soporte de la caja.
2. Quite los dos soportes de madera ubicados en el fondo de la caja.
3. Coloque los dos soportes de madera en el piso y fije el CM2C40 a los soportes utilizando cuatro arandelas planas de 5/16" y cuatro tornillos de 5/16" de 2 1/2" de largo (incluidos en la caja). (Consulte la Figura 1).

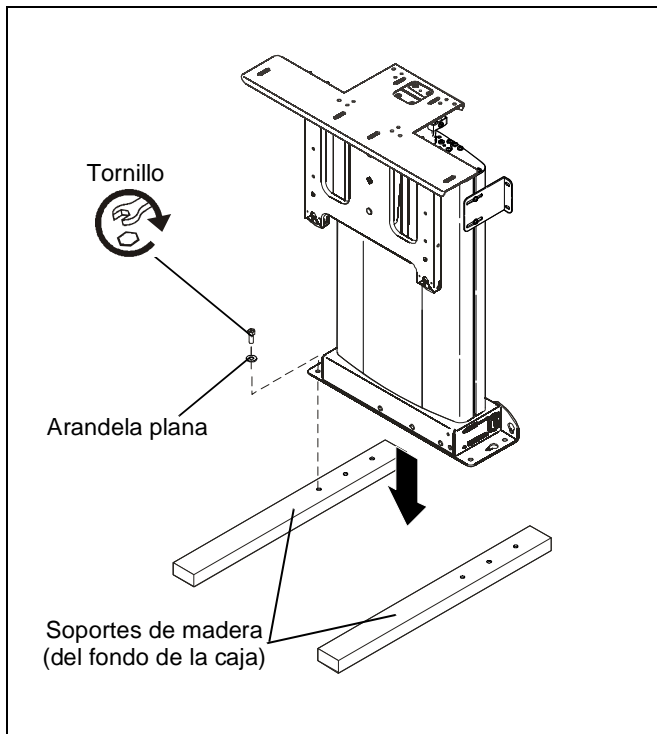


Figura 1

Configuración del soporte según el televisor elegido

Antes de instalar el CM2C40, deberá configurarlo según el tamaño del televisor que sostendrá.

Para preparar el CM2C40 para el televisor que sostendrá:

1. Instale la placa de conexión o pernos de montaje al televisor siguiendo las instrucciones provistas con la placa.
2. Mida la distancia que hay desde el centro de un perno de montaje superior hasta el punto más alto del televisor.
3. Anote la medida.

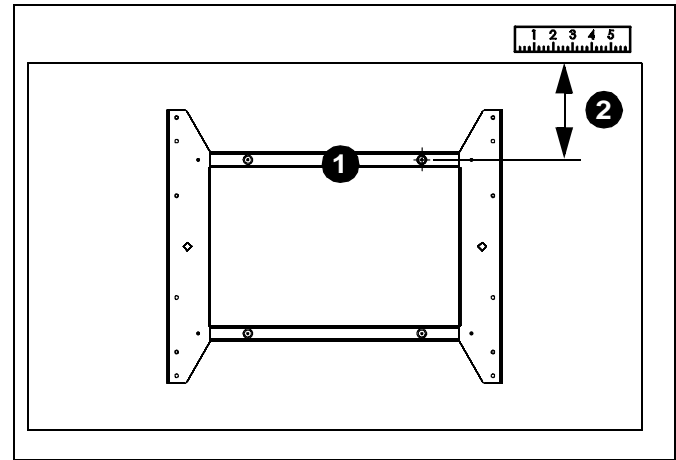


Figura 2

IMPORTANTE: Si la medida tomada en la Figura 2 es superior a 342,9 mm (13,5 pulgadas), deberá ajustar la placa frontal antes de montar el televisor. Si la medida tomada en la Figura 2 es inferior a 342,9 mm (13,5 pulgadas), continúe con la sección "Instalación y tendido de cables".

Cómo ajustar la posición de la placa frontal

El CM2C40 admite un ajuste de hasta 165,1 mm (6,5 pulgadas). Puede regularse hasta 50,8 mm (2 pulgadas) cambiando la posición de la placa frontal en el soporte de sujeción de la placa frontal y hasta 114,3 mm (4,5 pulgadas) adicionales regulando el soporte de sujeción de la placa frontal.

A la medida determinada en la Figura 2, reste 342,9 mm (13,5 pulgadas). La diferencia entre ambos valores es la medida total que deberá ajustarse la placa frontal.

Ejemplo:

Medida tomada en el paso 2 = 381 mm (15 pulgadas)
 $381 \text{ mm [15 pulg.]} - 342,9 \text{ mm [13,5 pulg.]} = 38,1 \text{ mm [1,5 pulg.]}$
 (Ajuste requerido para la placa frontal)

Si la placa frontal requiere un ajuste igual o inferior a 50,8 mm (2 pulgadas), continúe con el paso 5. Si la placa frontal requiere un ajuste superior a 50,8 mm (2 pulgadas), continúe con el paso 8.

NOTA: Según el valor de ajuste requerido, quizás sea necesario ajustar tanto la placa frontal como el soporte de sujeción de la placa frontal.

Si la placa frontal requiere un ajuste igual o inferior a 50,8 mm (2 pulgadas):

4. Instale el receptor infrarrojo (IR). (Consulte la Figura 3).
5. Enchufe el cable apropiado al soporte y a la fuente de alimentación.
6. Con el control remoto, suba el elevador hasta que pueda accederse a las tuercas de seguridad del reverso de la placa frontal. (Consulte la Figura 3).



ADVERTENCIA: PELIGRO DE COMPRESIÓN. SI SUS DEDOS O SUS MANOS QUEDAN ATRAPADAS ENTRE LAS PIEZAS MÓVILES, PODRÍA SUFRIR LESIONES GRAVES. Mantenga los dedos y las manos alejadas del soporte cuando este se encuentre en funcionamiento.

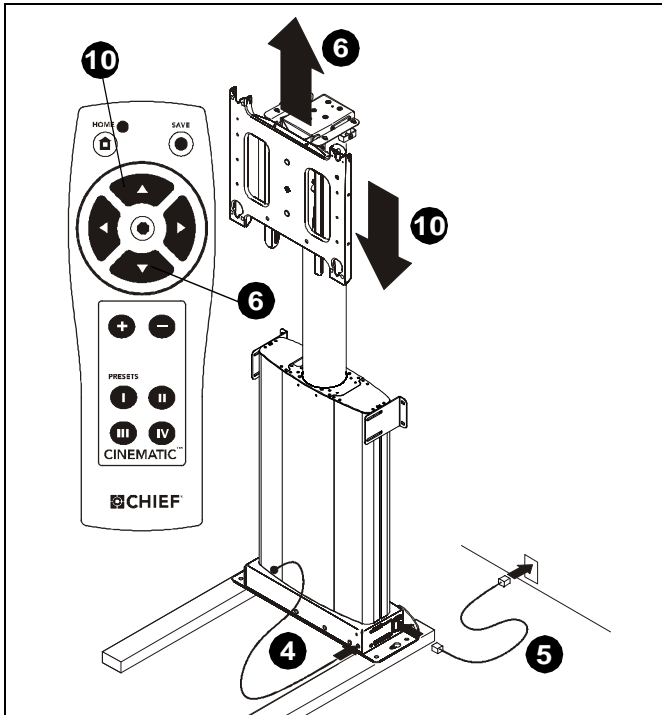


Figura 3

7. Quite las dos tuercas de seguridad que sujetan la placa frontal a su soporte de sujeción. (Consulte la Figura 4).
8. Suba la placa frontal un orificio para ajustar la posición 25,4 mm (1 pulgada) o dos orificios para ajustar la posición 50,8 mm (2 pulgadas). (Consulte la Figura 4).

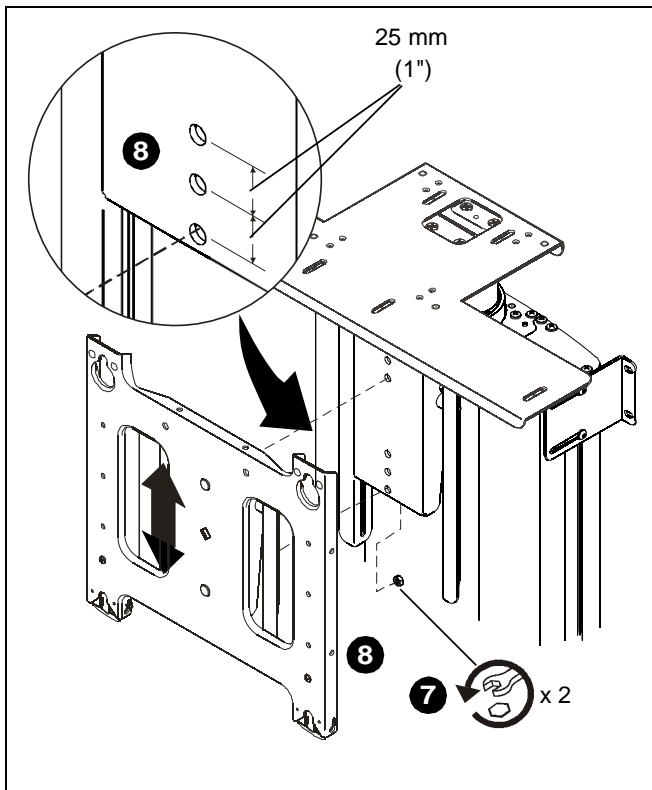


Figura 4

9. Fije la placa frontal a su soporte de sujeción con las dos tuercas de seguridad. (Consulte la Figura 6).

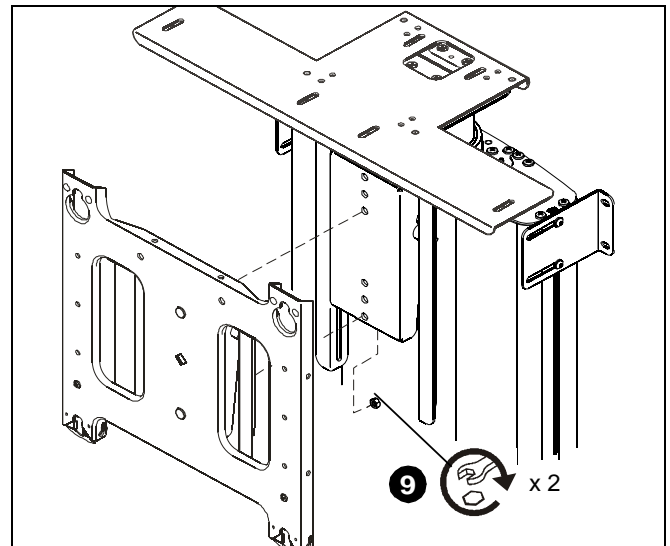


Figura 5

10. Con el control remoto, baje el elevador hasta que se detenga. (Consulte la Figura 3).

Si la placa frontal requiere un ajuste superior a 50,8 mm (2 pulgadas):

11. Suba el elevador según las instrucciones del paso 6. (Consulte la Figura 3).
12. Afloje las cuatro tuercas que fijan el soporte de sujeción de la placa frontal al marco. (Consulte la Figura 6).
13. Mueva el soporte de sujeción de la placa frontal según la distancia deseada. (Consulte la Figura 6).

NOTA: El CM2C40 se despacha con el soporte de sujeción de la placa frontal en las ranuras inferiores. La placa frontal puede ajustarse 50,8 mm (2 pulgadas) más moviendo el soporte de sujeción de la placa frontal a las ranuras superiores.

14. Apriete las cuatro tuercas para fijar el soporte de sujeción de la placa frontal al marco.



ADVERTENCIA: SI NO SE INSTALA CORRECTAMENTE, EL ELEVADOR PUEDE CAUSAR LESIONES GRAVES O DAÑOS AL EQUIPO. Cerciérese de que las cuatro tuercas estén bien ajustadas antes de continuar con la instalación.

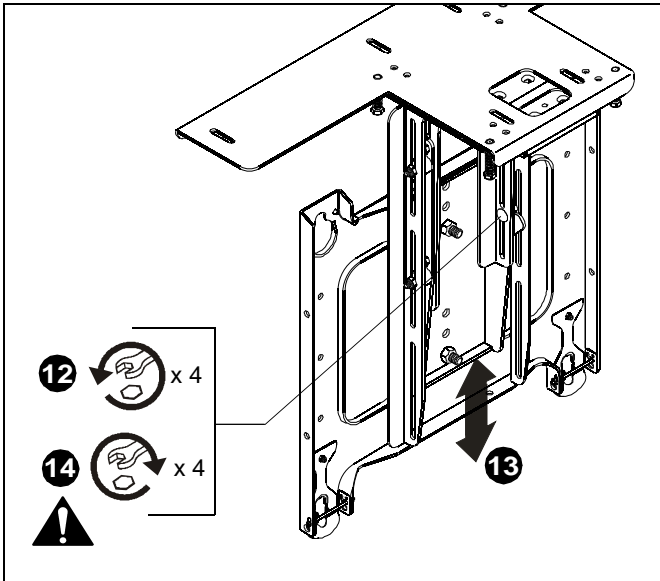


Figura 6

15. Alinee los pernos roscados de la placa frontal con los orificios correspondientes del soporte de sujeción de dicha placa y cuelgue la placa frontal en el soporte mediante los pernos.
16. Fije la placa frontal a su soporte de sujeción con dos tuercas de seguridad. (Consulte la Figura 7).

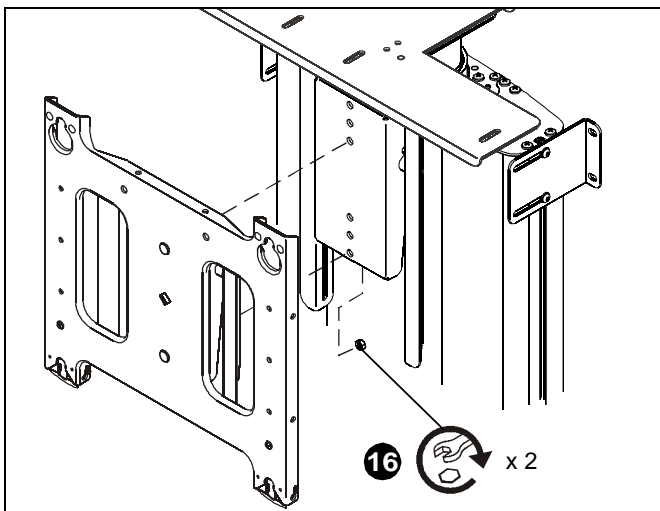


Figura 7

Instalación y tendido de cables

El CM2C40 cuenta con un sistema integrado de organización de cables que automáticamente "desenrolla" los cables cuando el elevador sube y los "enrolla" cuando el elevador baja, manteniendo constante su tensión.

NOTA: Para mayor claridad, se han eliminado algunos componentes en las ilustraciones de este procedimiento.

IMPORTANTE: El CM2C40 requiere como mínimo 2,44 m (8 pies) de cable desde la pantalla hasta el soporte inferior. Para instalar los cables:

1. Quite los dos tornillos que sostienen la cubierta lateral de la guía de cables.
2. Aparte los tornillos para utilizarlos luego. (Consulte la Figura 8).

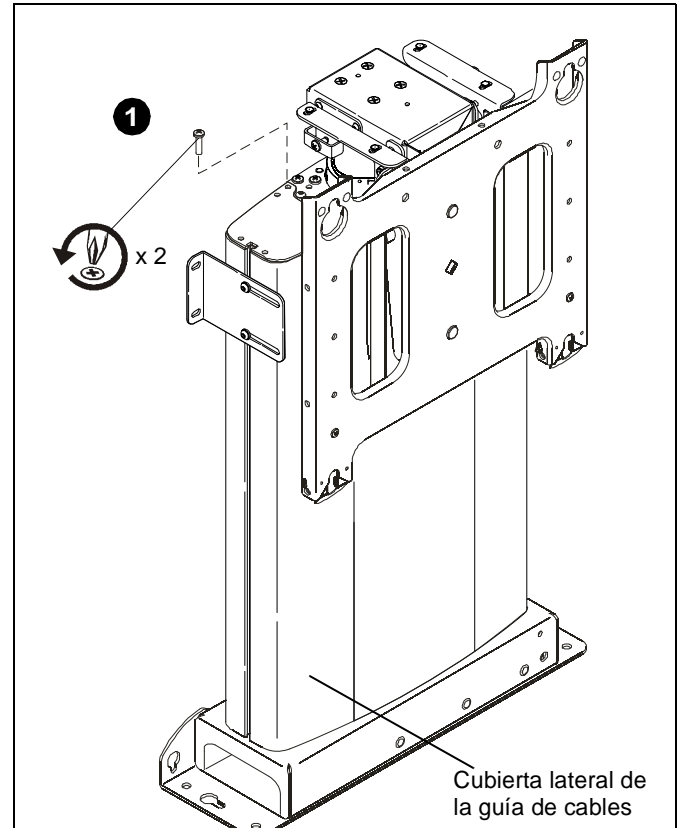


Figura 8

3. Deslizándola, extraiga la cubierta lateral y apártela con cuidado.

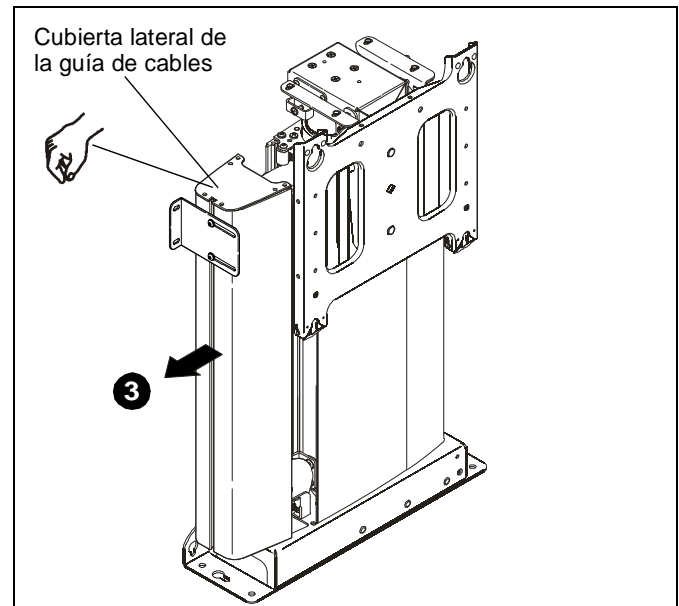


Figura 9

4. Afloje los seis sujetadores de cables. (Consulte la Figura 10).
5. Pase los cables hacia abajo a través del sujetador superior. (Consulte la Figura 10 y la Figura 11).

IMPORTANTE: Deje una cantidad suficiente de cable arriba del sujetador superior para tender y sujetar los cables entre dicho sujetador y el televisor.

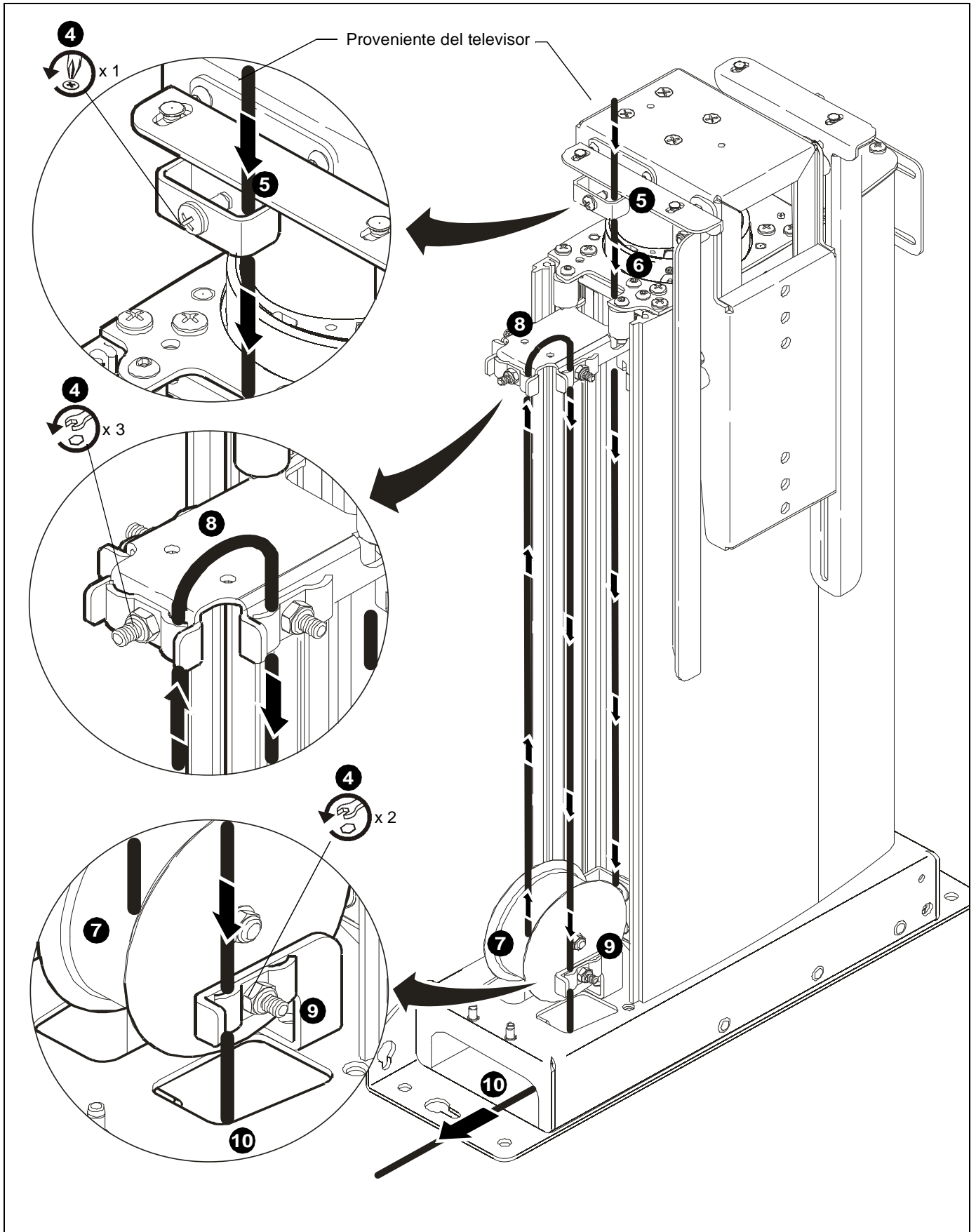


Figura 10

6. Pase los cables por la abertura ubicada en la parte posterior del soporte de sujeción, que constituye el sujetador de cable medio. (Consulte la Figura 10 y la Figura 11).

NOTA: Si el enchufe de los cables no pasa por la abertura, afloje o quite uno de los tornillos que fijan el soporte de sujeción al marco y gire el soporte de sujeción que constituye el sujetador de cable medio hacia el costado, hasta que puedan pasarse los enchufes.



PRECAUCIÓN: Los tornillos extraídos DEBEN colocarse y ajustarse bien antes de continuar con el tendido de los cables. (Consulte la Figura 11).

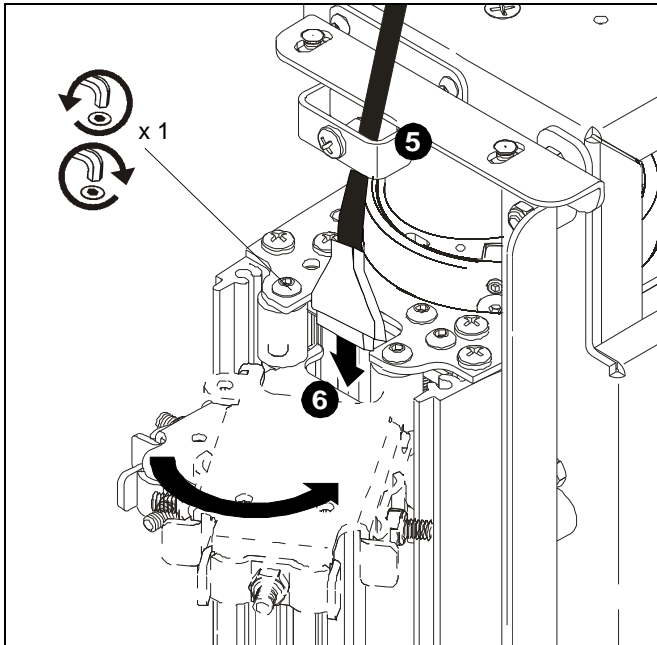


Figura 11

7. Pase los cables por debajo de la polea y luego, hacia arriba, a través del sujetador frontal ubicado en el soporte de sujeción que constituye el sujetador medio. (Consulte la Figura 10).
8. Forme un bucle y pase los cables a través del sujetador lateral ubicado en el soporte de sujeción que constituye el sujetador medio. (Consulte la Figura 10).



PRECAUCIÓN: El bucle no debe sobresalir más de 25 mm (1 pulgada) por sobre el soporte de sujeción. (Consulte la Figura 10).

9. Pase los cables hacia abajo a través del sujetador inferior. (Consulte la Figura 10).
10. Pase los cables a través de la abertura de acceso para cables ubicada en la parte superior de la base y luego por la abertura lateral de la base. (Consulte la Figura 10).
11. Ajuste el sujetador de cables superior de modo que los cables queden bien ubicados pero no comprimidos.



ADVERTENCIA: SI AJUSTA LOS SUJETADORES DE CABLES EN EXCESO, PODRÍA APLASTAR LOS CABLES Y, EN CONSECUENCIA, DAÑAR EL EQUIPO. NO ajuste los sujetadores de cables en exceso.

12. Comenzando por el sujetador de cables superior y avanzando hacia abajo, tense los cables y ajuste los sujetadores restantes. (Consulte la Figura 10).

13. Coloque la cubierta lateral sobre la guía de cables de modo que el labio de la cubierta posterior encaje por completo en la ranura de la cubierta lateral de la guía de cables. (Consulte la Figura 12).

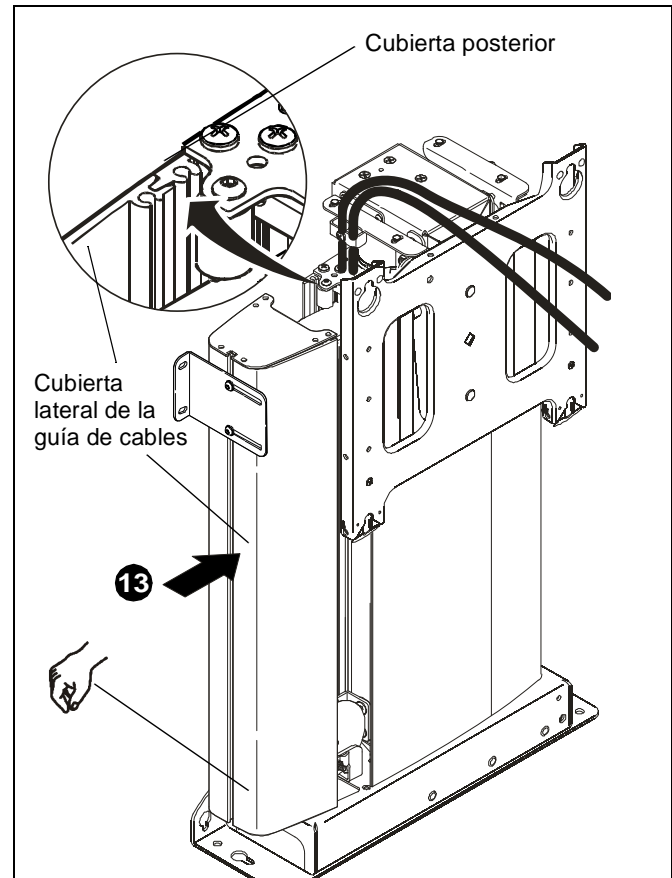


Figura 12

14. Fije la cubierta superior de la guía de cables al marco y a la cubierta lateral de la guía de cables mediante los dos tornillos extraídos.

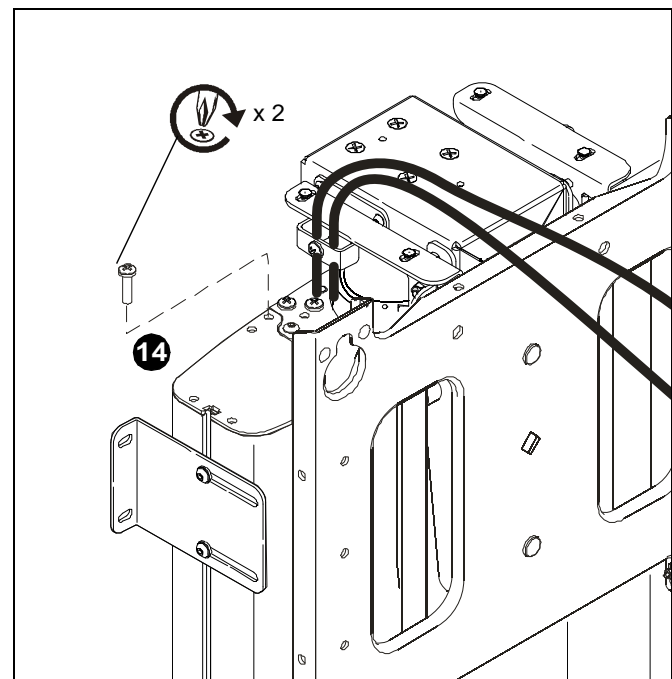


Figura 13

Instalación del soporte

El CM2C40 ha sido diseñado para ser colgado de una estructura en altura o para ser montado en paredes existentes con estructura de montantes. Las siguientes instrucciones suponen que se cuenta con una estructura y una superficie de montaje adecuadas y que los cables de alimentación y de señal han sido correctamente instalados.

IMPORTANTE: El patrón de montaje del CM2C40 tiene un ancho de 483 mm (19 pulgadas). Si se instala en una pared existente con montantes de 406,4 mm (16 pulgadas), deberá agregarse un montante más a cada lado a fin de poder llevar a cabo la instalación.



ADVERTENCIA: SI NO SE INSTALA CORRECTAMENTE, EL ELEVADOR PUEDE CAERSE Y CAUSAR LESIONES GRAVES O DAÑOS AL EQUIPO. Es responsabilidad del instalador asegurarse de que la estructura en la que se va a montar el elevador soporte cuatro veces el peso del elevador y del equipo que sostendrá.

Para instalar el CM2C40:

1. Si se instaló el televisor y se tendieron los cables, desenchufe los cables del televisor y quite el televisor.
2. Retire el soporte de los soportes de madera utilizados durante la configuración del soporte y ubíquelo como se indica en la figura de abajo.



ADVERTENCIA: EL SOPORTE PESA MÁS DE 18 KG (40 LIBRAS) Al instalar o ubicar el soporte, siempre utilice dos personas y técnicas adecuadas para levantar objetos pesados.

3. Alinee los orificios de montaje de la placa de apoyo con los montantes de modo que los orificios queden centrados sobre los montantes.
4. Determine la posición vertical y horizontal del soporte. (Consulte la Figura 15).

NOTA: El soporte está diseñado para desplazarse 12,7 mm (0,5 pulgada) más luego de que la cubierta inferior hace contacto con un objeto durante la elevación. Si desea utilizar esta función, tenga en cuenta este

desplazamiento de 12,7 mm al ubicar el soporte. Asimismo, deberá colocar una barra de detención a lo largo del borde superior delantero y trasero de la abertura del techo. La barra debe abarcar todo el ancho del borde delantero y trasero de la abertura y sobresalir hacia afuera 12,7 mm como mínimo. *Consulte la sección "Ajuste del desplazamiento de la cubierta inferior" en la página 14.* (Consulte la Figura 27).

5. Afloje los cuatro tornillos que fijan las placas de sujeción laterales al marco y ajuste su posición de modo que queden correctamente ubicadas contra los montantes, si corresponde. (Consulte la Figura 16).
6. Ajuste los cuatro tornillos para mantener las placas de sujeción laterales en posición. (Consulte la Figura 14).

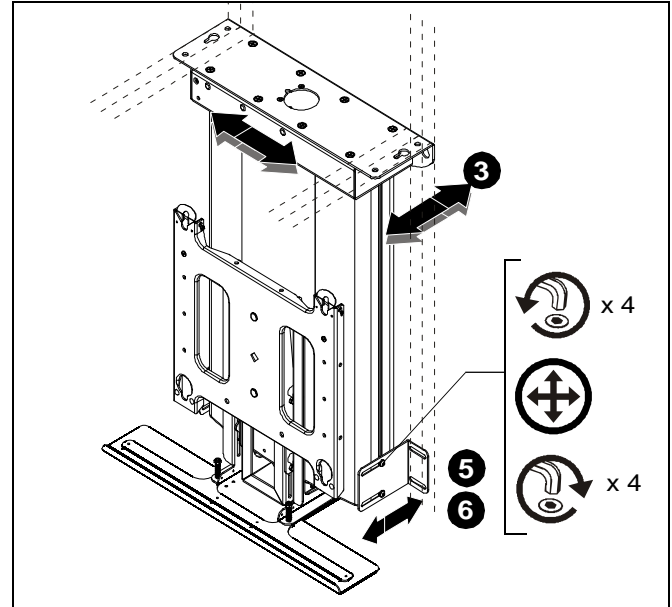


Figura 14

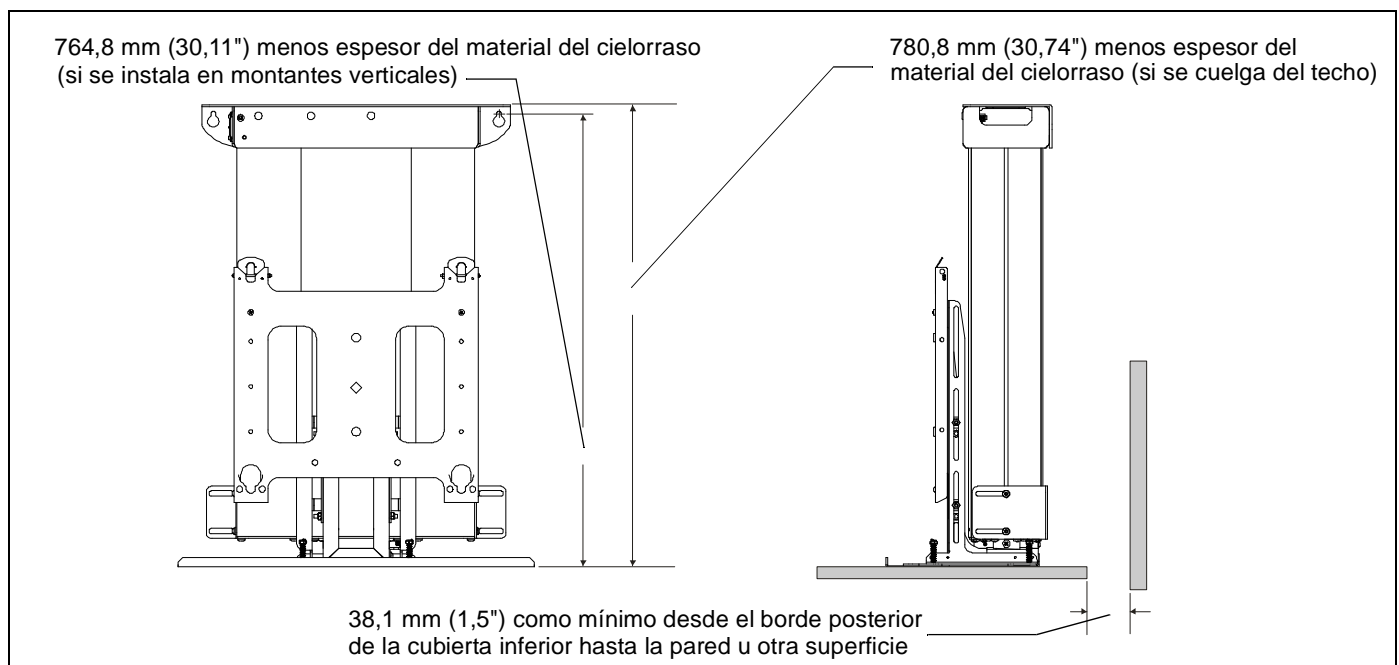


Figura 15

7. Manteniendo las distancias detalladas en la Figura 15, marque la ubicación de los orificios de montaje de la placa de apoyo. (Consulte la Figura 16).
8. Realice los orificios según las marcas.
9. Marque la ubicación de los cuatro orificios de montaje de las placas de sujeción laterales, si corresponde. (Consulte la Figura 16).
10. Realice los cuatro orificios según las marcas.
11. Fije la placa de apoyo a la estructura utilizando dos (montaje en pared) o seis (montaje en techo) arandelas planas de 5/16" y dos o seis tornillos de 5/16" de 2 1/2" de largo. (Consulte la Figura 16).
12. Si corresponde, fije las placas de sujeción laterales a los montantes utilizando cuatro arandelas planas de 5/16" y cuatro tornillos de 5/16" de 2 1/2" de largo. (Consulte la Figura 16).

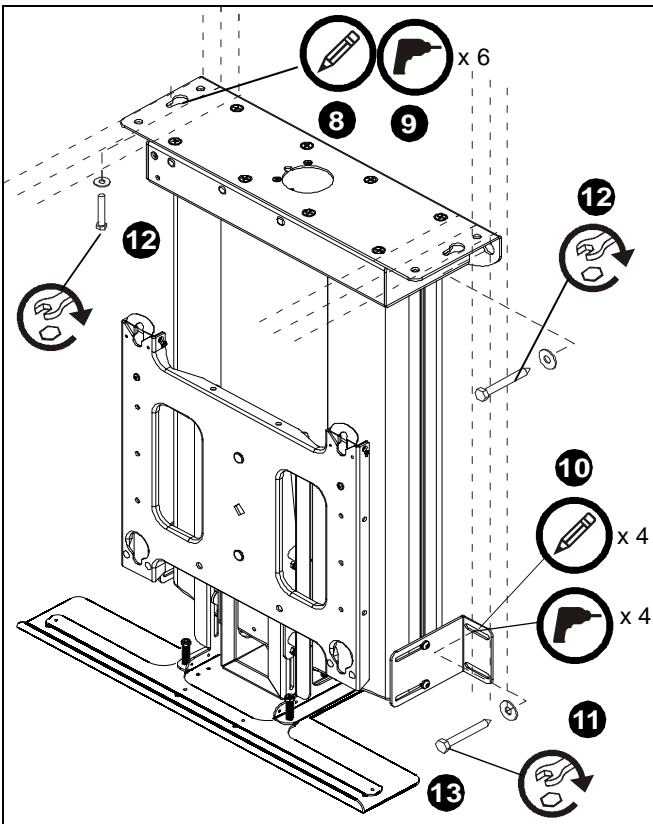


Figura 16

13. Enchufe el cable de alimentación del soporte al tomacorriente.

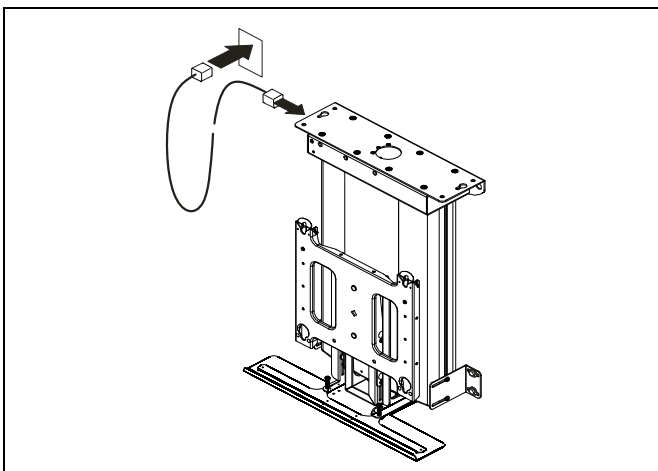


Figura 17

Instalación del televisor



ADVERTENCIA: EXCEDER EL PESO MÁXIMO ADMITIDO PODRÍA CAUSAR LESIONES GRAVES O DAÑOS AL EQUIPO. Es responsabilidad del instalador cerciorarse de que el peso total colocado sobre el soporte no supere el peso máximo admitido de 86,18 kg (190 libras) del CM2C40.



ADVERTENCIA: PELIGRO DE COMPRESIÓN. SI SUS DEDOS O SUS MANOS QUEDAN ATRAPADAS ENTRE LAS PIEZAS MÓVILES, PODRÍA SUFRIR LESIONES GRAVES. Mantenga los dedos y las manos alejadas del soporte cuando este se encuentre en funcionamiento.



ADVERTENCIA: SI NO SE INSTALA CORRECTAMENTE, EL SOPORTE PUEDE CAERSE Y CAUSAR LESIONES GRAVES O DAÑOS AL EQUIPO. Los televisores pueden llegar a pesar más de 18 kg (40 libras). Al instalar el televisor, SIEMPRE utilice dos personas y técnicas adecuadas para levantar objetos pesados.



ADVERTENCIA: SI NO SE INSTALA CORRECTAMENTE, EL SOPORTE PUEDE CAERSE Y CAUSAR LESIONES GRAVES O DAÑOS AL EQUIPO. Verifique que los pernos de montaje del televisor estén correctamente ubicados en los orificios de montaje de la placa frontal.

Para instalar el televisor:

1. Baje el elevador con el control remoto.
2. Sosteniendo el televisor de ambos lados, alinee los cuatro pernos de montaje del televisor o de la placa de conexión con los cuatro orificios de montaje de la placa frontal. (Consulte la Figura 18 y la Figura 19).
3. Baje el televisor para colocarlo en su lugar. Oirá un clic que le indicará que el área hendida de los pernos de montaje encajó correctamente en la parte inferior de los orificios de montaje y que el mecanismo de bloqueo ha enganchado. (Consulte la Figura 18 y la Figura 19).

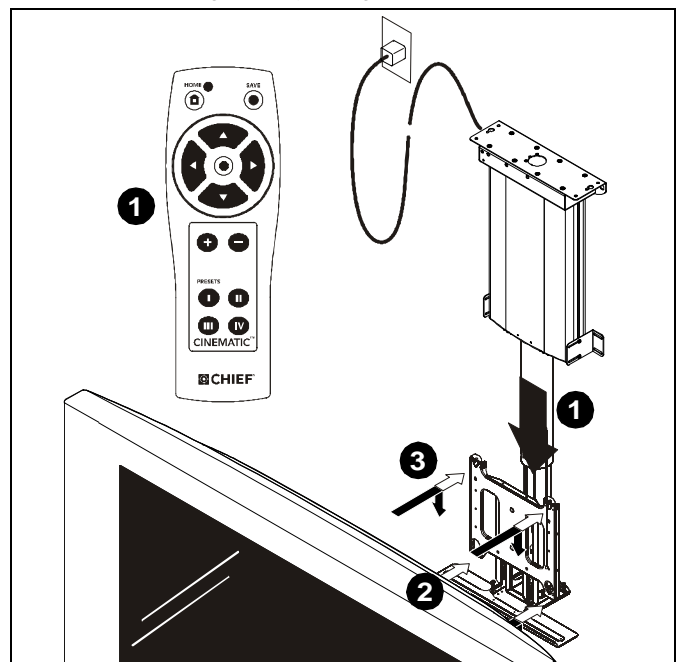


Figura 18

NOTA: La placa frontal cuenta con orificios para utilizar un candado o un dispositivo de bloqueo similar si el usuario lo desea. Asimismo, la varilla y las tuercas pueden pasarse de los orificios superiores a los inferiores a fin de utilizarlos como dispositivo de bloqueo más permanente. (Consulte la Figura 19).

ADVERTENCIA: SI NO SE INSTALA CORRECTAMENTE, EL ELEVADOR PUEDE CAUSAR LESIONES GRAVES O DAÑOS AL EQUIPO. Cerciérese de que las cuatro tuercas estén bien ajustadas antes de continuar con la instalación.

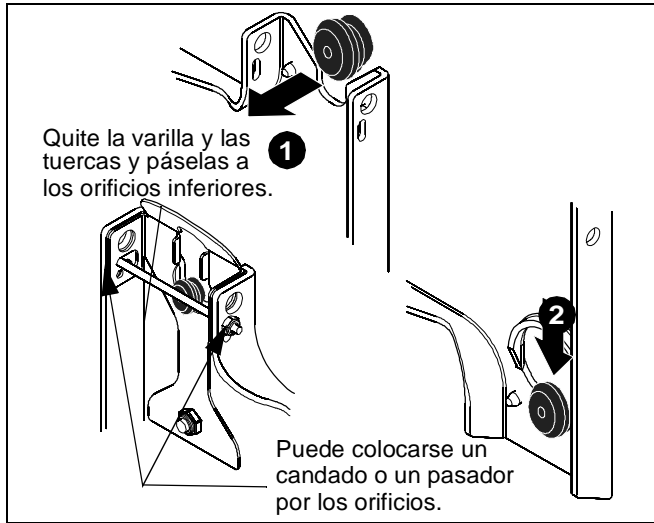


Figura 19

4. Afloje las cuatro tuercas que fijan los soportes de ajuste derecho e izquierdo de la cubierta inferior al soporte de sujeción de la placa frontal. (Consulte la Figura 20).
5. Deslice los soportes de ajuste de la cubierta inferior hacia arriba o hacia abajo hasta que el labio del soporte quede a 6,35 mm (0,25 pulgada) por debajo de la parte inferior del televisor. (Consulte la Figura 21).
6. Ajuste las cuatro tuercas para fijar el soporte en su posición. (Consulte la Figura 20).

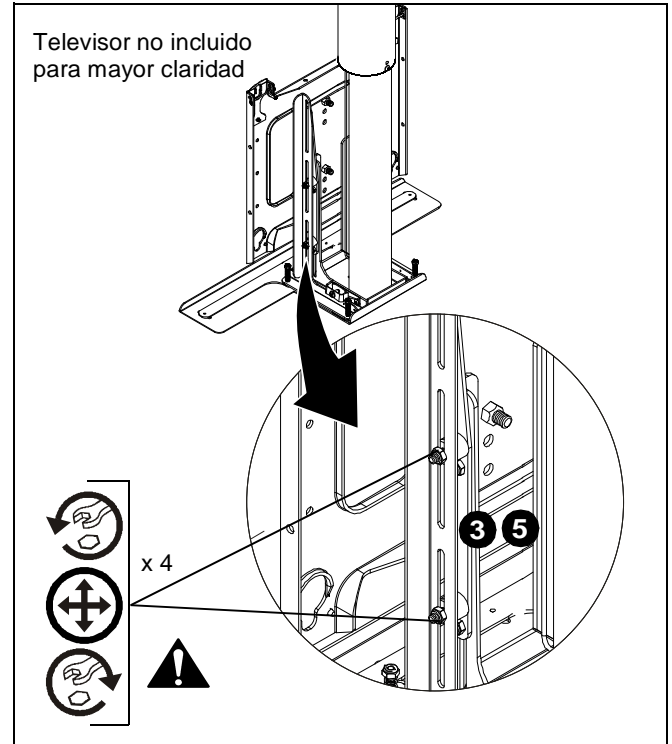


Figura 20

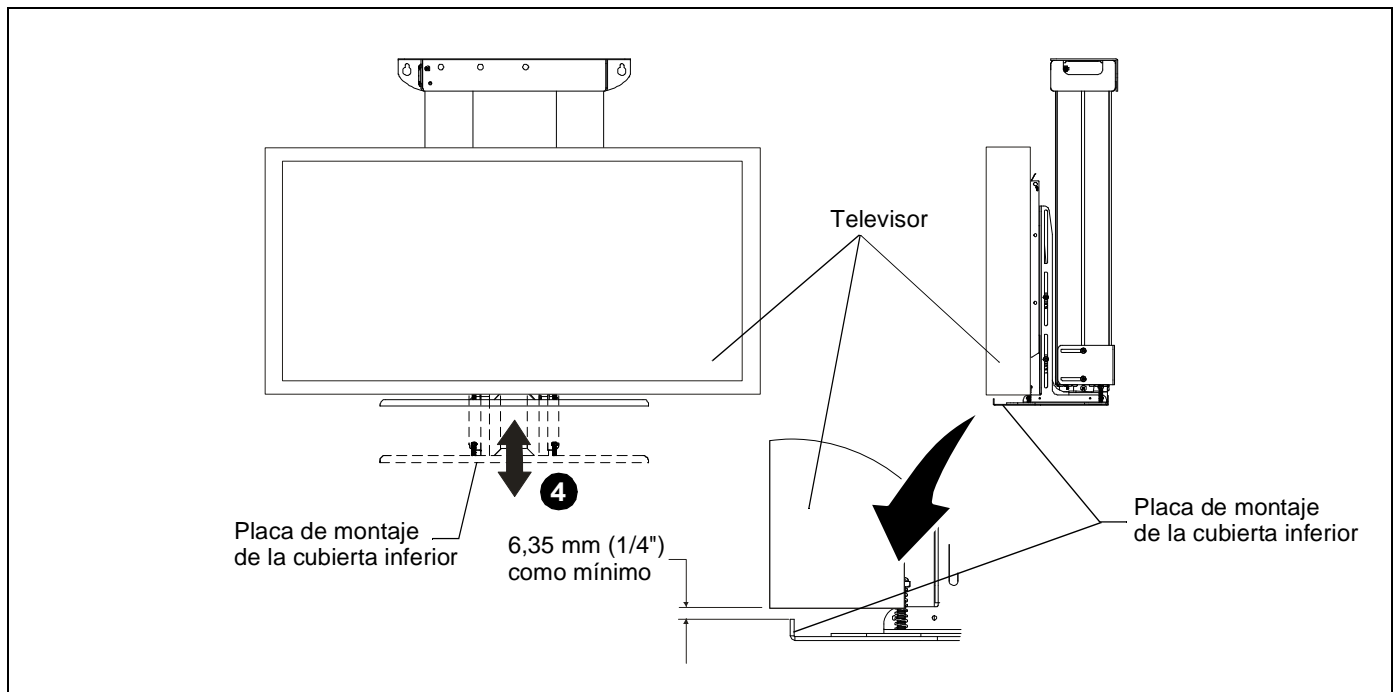


Figura 21

Instalación de la cubierta inferior

Una vez configurado el CM2C40 para el televisor que sostendrá e instalado dicho televisor, deberá ajustar la altura de la cubierta inferior a fin de que encaje adecuadamente en el techo.



ADVERTENCIA: SI NO SE INSTALA CORRECTAMENTE, EL ELEVADOR PUEDE CAUSAR LESIONES GRAVES O DAÑOS AL EQUIPO. El peso de la cubierta inferior NO DEBE superar los 11,34 kg (25 libras).

Para instalar la cubierta inferior:

1. Mida la distancia que hay entre la parte inferior de la placa de montaje de la cubierta inferior y el borde superior de la abertura del techo. Anote esta medida para utilizarla después.

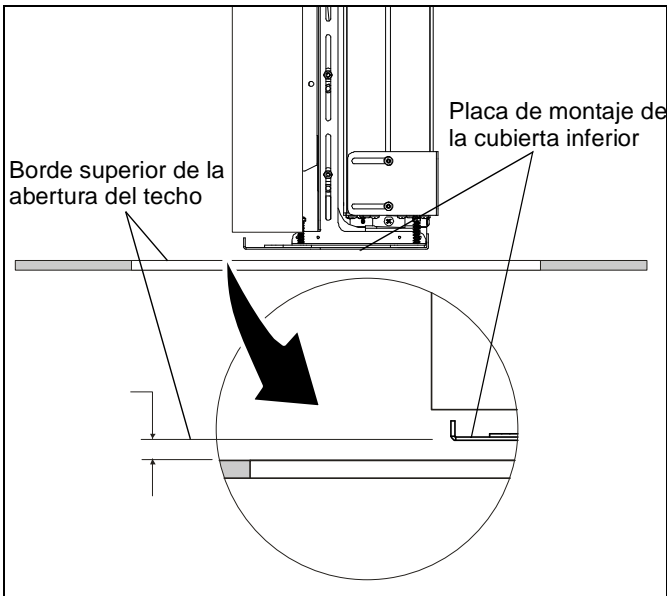


Figura 22

2. Si la medida tomada en el paso 1 es igual o inferior al espesor de la cubierta inferior que instalará, antes de continuar deberá ajustar los límites de desplazamiento del televisor a fin de evitar que la cubierta inferior choque con el techo. Consulte el paso 6 en la siguiente página.
3. Si la medida tomada en el paso 1 es superior al espesor de la cubierta inferior que instalará, baje el televisor con el control remoto hasta que pueda accederse a las tuercas de seguridad que sujetan los soportes de ajuste derecho e izquierdo de la cubierta inferior. (Consulte la Figura 23).

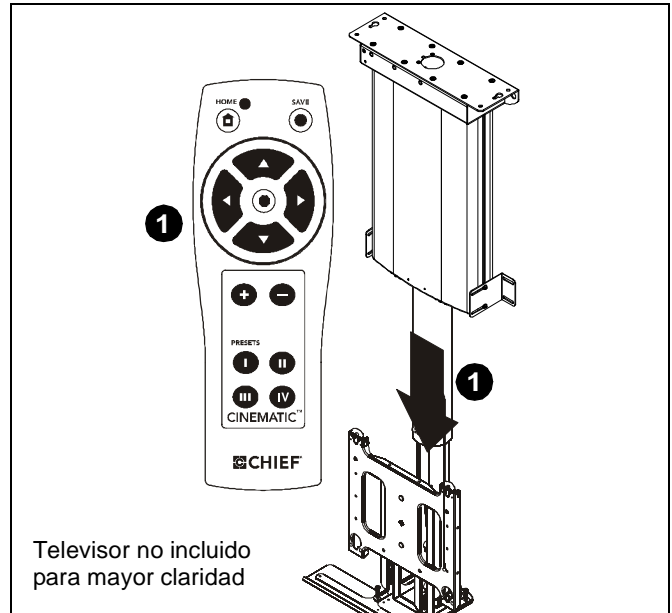


Figura 23

4. Prepare la cubierta inferior. Córtele del tamaño apropiado de modo que quede una separación entre la cubierta y la abertura del techo. Luego, realice seis orificios según el patrón y las medidas que se indican en la siguiente figura. (Consulte la Figura 24).

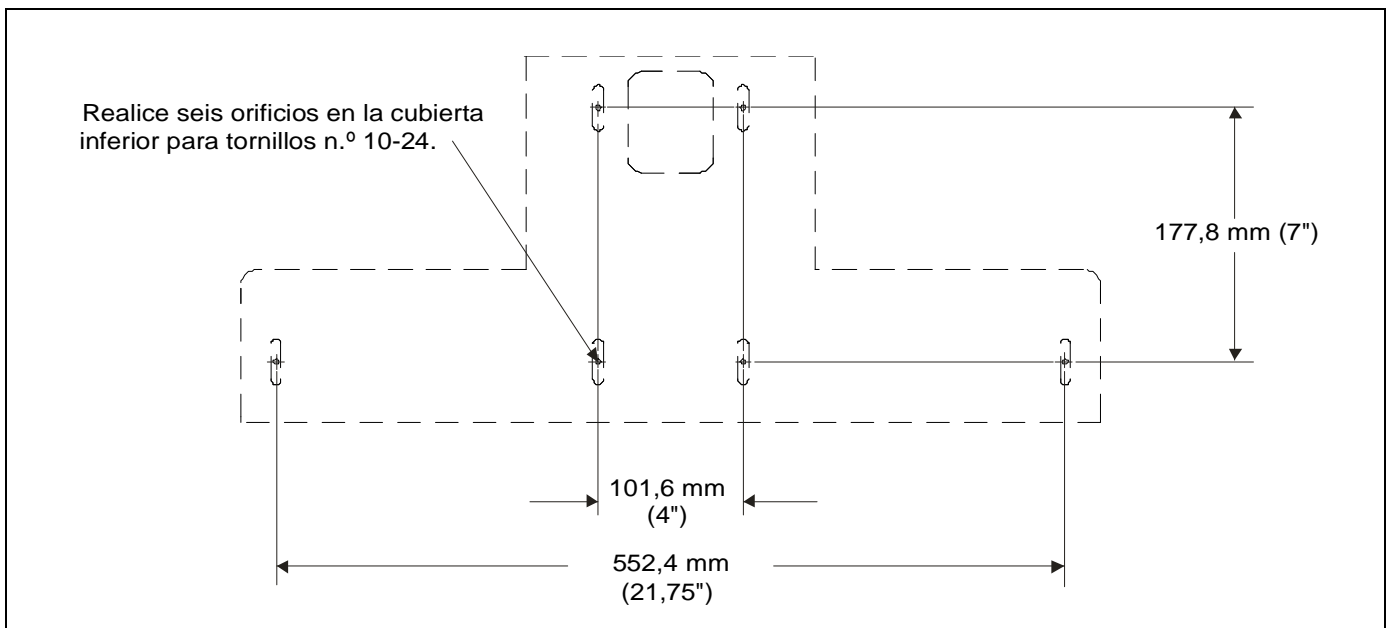


Figura 24

5. Fije la cubierta inferior a la placa de montaje de la cubierta utilizando tornillos n.º 10-24 de un largo mínimo de 6,35 mm (1/4") más el espesor de la cubierta (no incluidos). (Consulte la Figura 25).

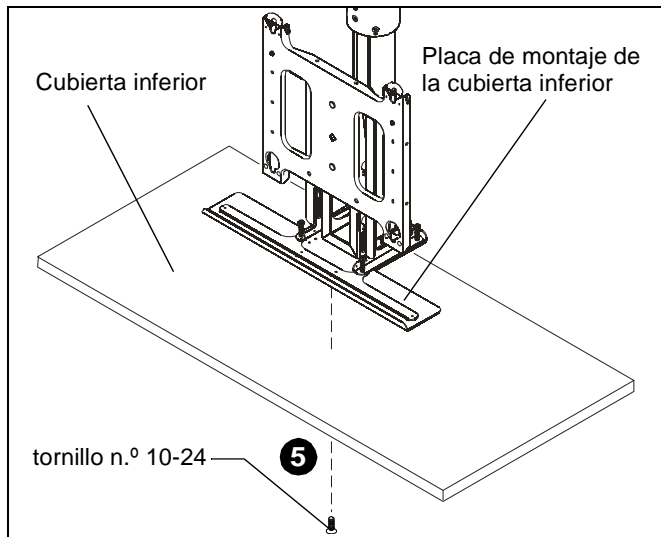


Figura 25

Ajuste del desplazamiento de la cubierta inferior

El CM2C40 cuenta con un mecanismo que permite ajustar los límites de desplazamiento del televisor. El CM2C40 se despacha configurado en los límites de ascenso y de descenso máximos.

NOTA: El soporte está diseñado para desplazarse 12,7 mm (0,5 pulgada) más luego de que la cubierta inferior hace contacto con un objeto durante la elevación. Si desea utilizar esta función, cuando instale la cubierta inferior deberá colocar una barra de detención a lo largo del borde superior delantero y trasero de la abertura del techo. La barra debe abarcar todo el ancho del borde delantero y trasero de la abertura y sobresalir hacia afuera 12,7 mm como mínimo. Tenga en cuenta este desplazamiento de 12,7 mm al instalar el soporte. (Consulte la página 10).

En el lateral superior derecho del soporte, hay un tornillo para ajustar el límite de desplazamiento ascendente y un tornillo para ajustar el límite de desplazamiento descendente. (Consulte la Figura 27).

NOTA: Diez vueltas completas de los tornillos de ajuste equivalen a 25,4 mm (1 pulgada) de desplazamiento del televisor.

6. Para incrementar el desplazamiento descendente, gire el tornillo de ajuste de desplazamiento descendente en sentido horario. Para disminuir el desplazamiento descendente, gire el tornillo de ajuste de desplazamiento descendente en sentido antihorario.
7. Para disminuir el desplazamiento ascendente, gire el tornillo de ajuste de desplazamiento ascendente en sentido horario. Para incrementar el desplazamiento ascendente, gire el tornillo de ajuste de desplazamiento ascendente en sentido antihorario.
8. Ajuste el desplazamiento hasta que la cubierta inferior quede a ras del techo. (Consulte la Figura 26 y la Figura 27).

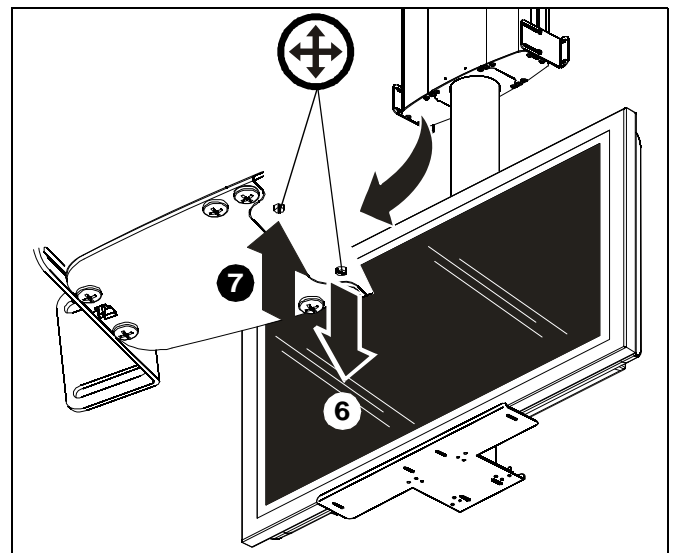


Figura 26

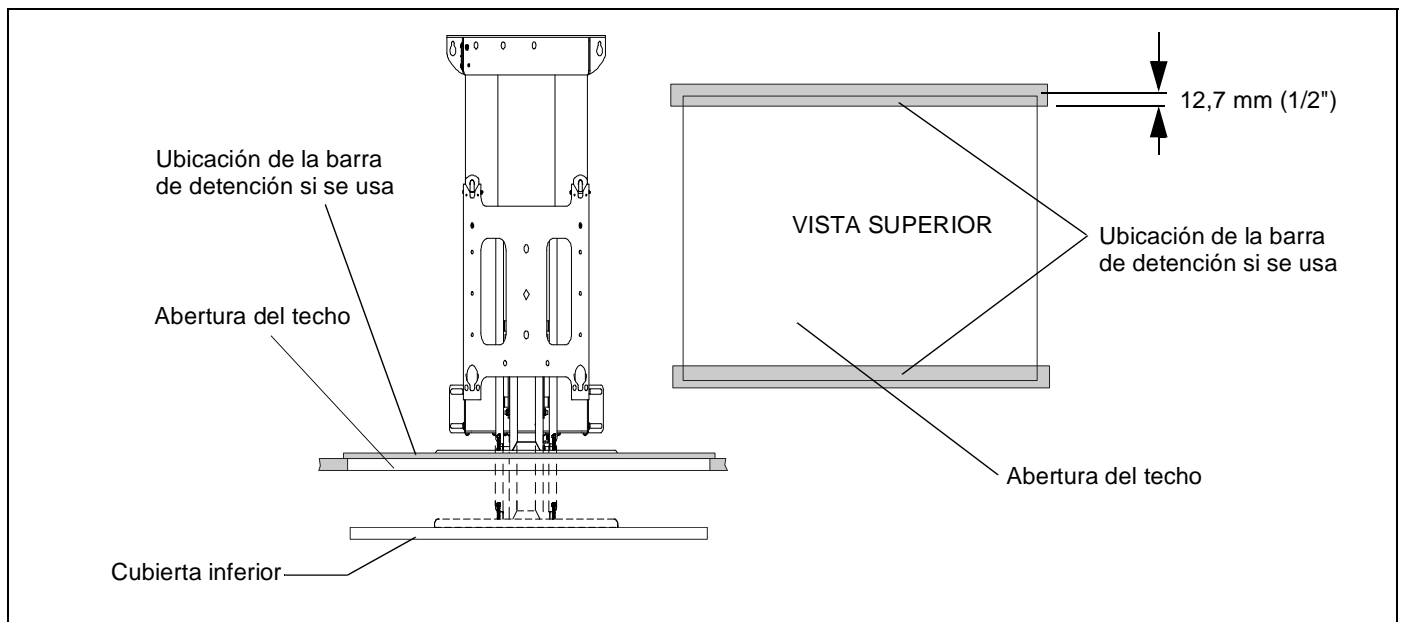


Figura 27

Ajuste de los cojinetes de las columnas de elevación

Las columnas de elevación superior e inferior están alineadas mediante dos cojinetes de elevación, uno superior y otro inferior.

El ajuste de los cojinetes viene configurado de fábrica. No obstante, a veces es necesario hacer pequeños ajustes en la tensión de los cojinetes a fin de eliminar el juego excesivo de las columnas o bien algún ruido.

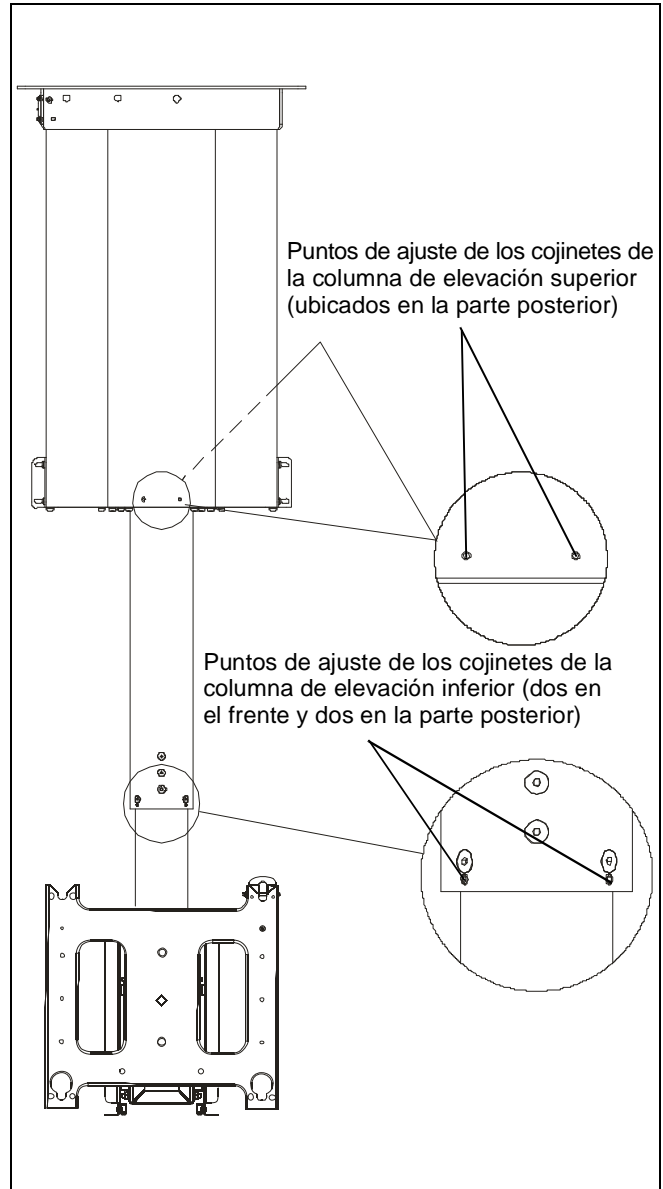


ADVERTENCIA: LA TENSIÓN EXCESIVA PUEDE DAÑAR EL EQUIPO. NO ajuste en exceso.

IMPORTANTE: A fin de ajustar los cojinetes de las columnas de elevación, el televisor debe estar instalado en el soporte.

Para ajustar los cojinetes de las columnas de elevación:

1. Determine qué columna, la superior o la inferior, requiere ajuste.
2. Con una llave hexagonal, afloje o apriete los tornillos de ajuste en pequeños incrementos y de forma pareja en todos los tornillos.
3. Suba y baje el televisor por completo y verifique que el movimiento de la columna de elevación sea adecuado.
4. Repita los pasos 1 a 3 hasta lograr el movimiento deseado.



Funciones de programación avanzadas

El CM2C40 cuenta con funciones de programación avanzadas para compatibilizar el soporte con otros equipos, tales como un control remoto universal u otros dispositivos de control, a través de una conexión en serie.

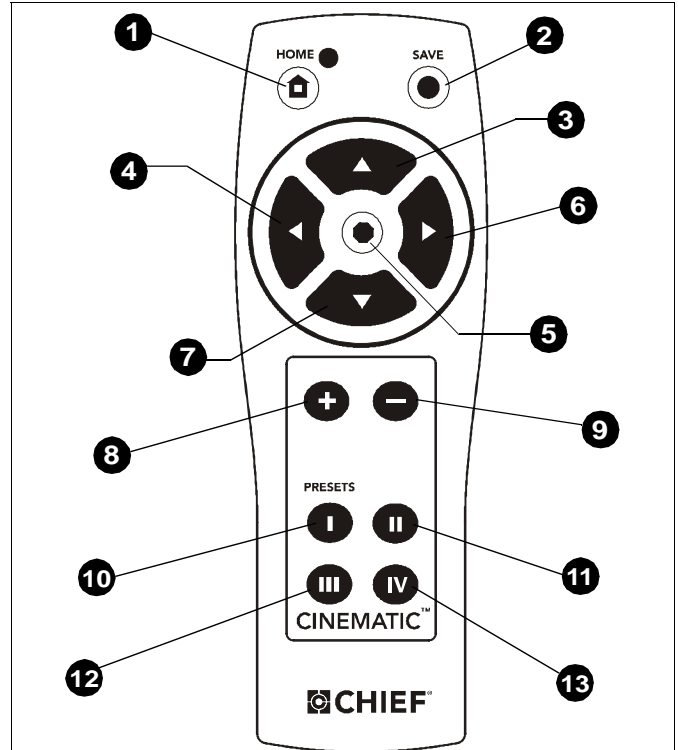
Para configurar el CM2C40, se utiliza el control remoto provisto con el soporte.

El control remoto tiene un alcance de 6 a 9 m (20 a 30 pies) y utiliza dos baterías AAA, a las que se accede desde la parte posterior del control remoto.

NOTA: Si fuese necesario operar el soporte desde una distancia superior a la permitida por el control remoto, puede utilizarse un interruptor convencional (no remoto) o un dispositivo similar. Consulte la sección "Cierres de contactos secos". (Consulte la Figura 31).

En la tabla y en la ilustración que siguen, se indica la función de cada botón del control remoto.

Modo de operación normal



REF.	FUNCIÓN	ACCIÓN REQUERIDA
1	NO SE USA	NO SE USA
2	NO SE USA	NO SE USA
3	EXTENDER MOSTRAR	PRESIONAR
4	NO SE USA	NO SE USA
5	DETENER	PRESIONAR
6	NO SE USA	NO SE USA
7	RETRAER MOSTRAR	PRESIONAR
8	NO SE USA	NO SE USA
9	NO SE USA	NO SE USA
10	NO SE USA	NO SE USA
11	NO SE USA	NO SE USA
12	NO SE USA	NO SE USA
13	NO SE USA	NO SE USA

Figura 28

Programación del control remoto SE15

Funciones de control del SE15:

- Frecuencia portadora: 38 kHz
- Protocolo: NEC. Repetición completa.
- Código(s) del sistema: 6E (predeterminado). Selección de otros códigos mediante los botones (ver a continuación).

Table 1: Códigos de control del SE15

NÚMERO DE BOTÓN	NOMBRE DEL BOTÓN	CÓDIGO HEXADECIMAL
1	NO SE USA	NO SE USA
2	NO SE USA	NO SE USA
3	EXTENDER MOSTRAR	07
4	NO SE USA	NO SE USA
5	DETENER	0A
6	NO SE USA	NO SE USA
7	RETRAER MOSTRAR	0D
8	NO SE USA	NO SE USA
10	NO SE USA	NO SE USA
12	NO SE USA	NO SE USA
13	NO SE USA	NO SE USA

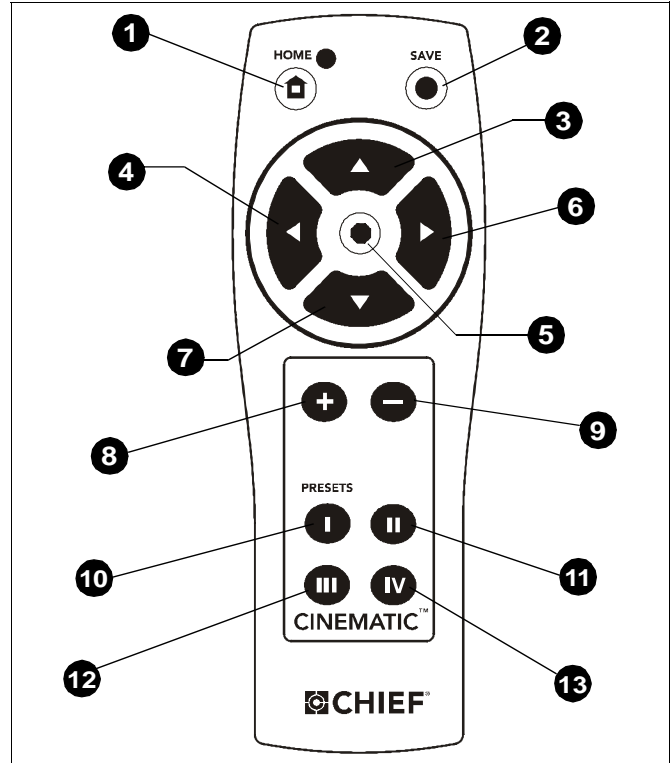


Figura 29

Para cambiar el código del sistema:

1. Presione y suelte los botones 3 + 7 (ingreso al modo de configuración).
2. Presione y suelte el botón 10.
3. Presione y suelte el botón 11. El LED titila dos veces <Rápido>.
4. Seleccione el código del sistema. Consulte la siguiente tabla.
5. Presione y suelte el botón 2. El LED titila cuatro veces <Rápido> (salida del modo de configuración).

Table 2:

CÓDIGO DEL SISTEMA	PRESIONE Y SUELTE
6E (predeterminado)	10, 10
E1	10, 13
E2	11, 11
E3	11, 12
E4	11, 13
E5	12, 12
E6	12, 13
E7	13, 13

Comunicaciones en serie

NOTA: Consulte a un distribuidor de sistemas de automatización respecto de software o controladores disponibles para los dispositivos externos.

Notas:

[PR] = Identificación del producto (CM2C40 = 02)

[AD] = Dirección (consulte la descripción y la tabla de direcciones)

[CR] = Retorno de carro ASCII

[CH] = Código de verificación

[ST] = Estado (consulte la tabla de estado)

Conexiones que deben hacerse al conector de 9 pines:

RS-485 REF	Pin 7
RS-485 +	Pin 8
RS-485 -	Pin 9

Parámetros de comunicación según se especifica en la norma ANSI TIA/EIA-485-A:

Velocidad en baudios:	9600
Longitud del dato:	8 bits
Paridad:	Ninguna
Bit de detención:	1
Control de flujo:	Ninguno

Descripción de dirección:

Es posible utilizar varios dispositivos Chief en una misma red si se asigna a cada uno de ellos una dirección distinta.

NOTA: Todas las unidades se despachan con la dirección predeterminada en 00.

NOTA: Los mensajes emitidos controlarán todos los dispositivos de la misma red.

CADENA DE COMANDOS DE CONTROL DE SERIE

Inicio del mensaje (HEX)	Identificador de producto (HEX)	Dirección (HEX)	Comando (HEX)	Datos del mensaje (HEX)	Código de comprobación (HEX)	Final del mensaje (HEX)
>	XX	XX	XX	XX	XX	[Retorno de carro]

- **Identificador de producto** para el CM2C40: 02
- **Dirección** controlada mediante los ajustes de los interruptores DIP
- **Comandos básicos** disponibles para el CM2C40 en la configuración de fábrica:
- **03: Cancelar movimiento** = >0500037D[Retorno de carro]
- **10: Extender hasta final de recorrido** = >0500107B0D[Retorno de carro]
- **12: Replegar hasta final de recorrido**= >0500127D0D[Retorno de carro]
- **Datos del mensaje** = Son necesarios los datos de los comandos disponibles:
 - **03:** Ninguno
 - **10:** Ninguno
 - **12:** Ninguno
- **Código de comprobación** calculado.

Si desea más información, consulte el documento sobre programación avanzada y la calculadora del sitio web.

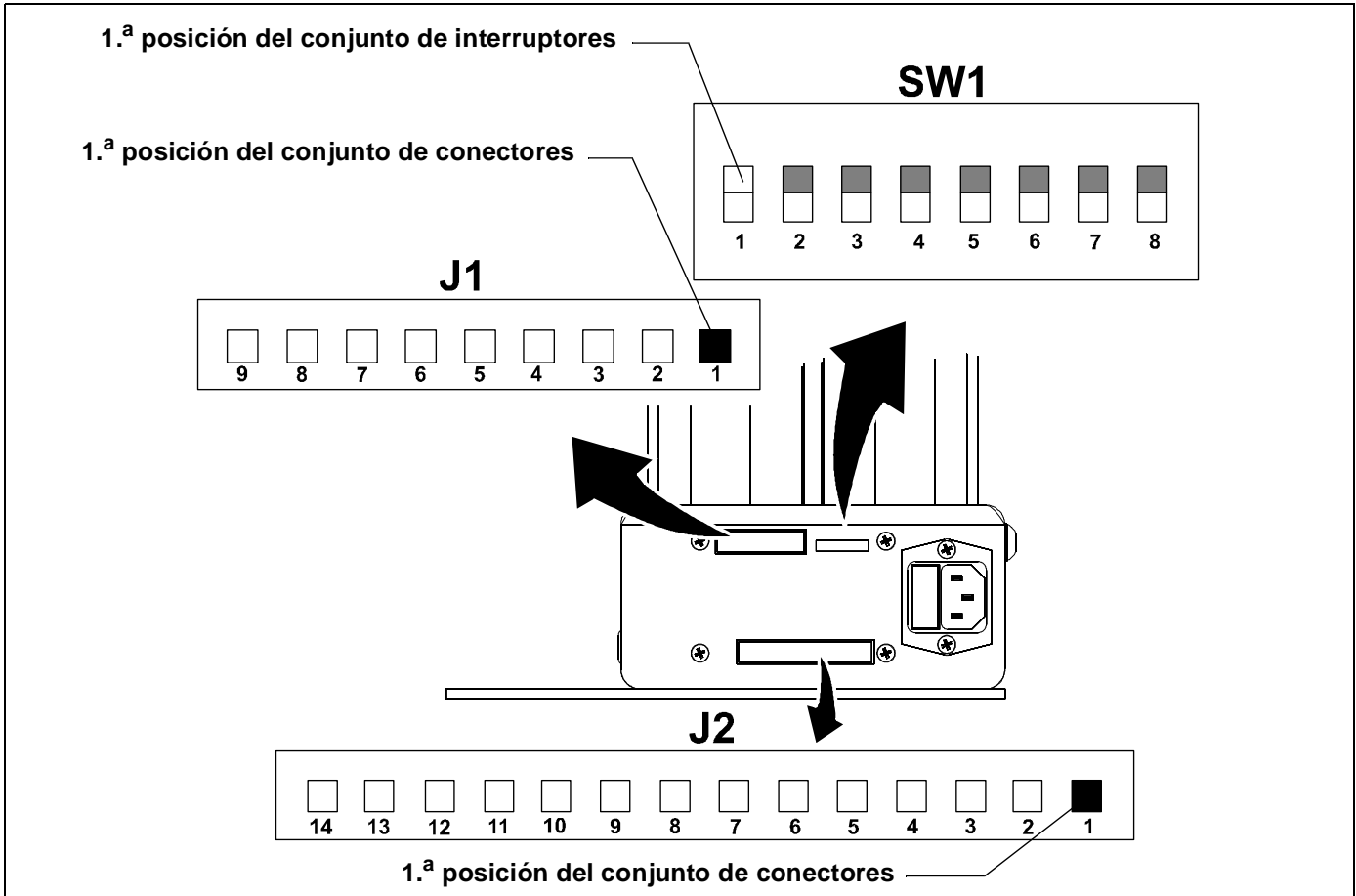


Figura 30

Información sobre la placa de interfaz del CM2C40

(Consulte la Figura 30).

Cierres de contactos secos

La unidad cuenta con salidas de contactos secos para retroalimentación del sistema o para control de otros dispositivos.

Para conectar dispositivos externos:

1. Conecte el cable COMMON de su interruptor al terminal 7. (Consulte la Figura 31).
2. Conecte el cable UP de su interruptor al terminal 5.
3. Conecte el cable DOWN de su interruptor al terminal 6.

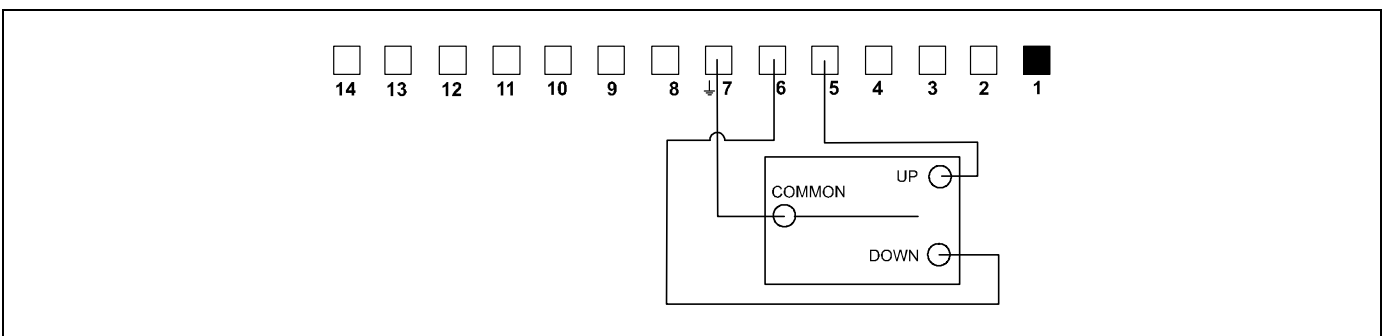


Figura 31

J1	
Pin 1	Entrada de descenso/ascenso aislada (+)
Pin 2	Entrada de descenso/ascenso aislada (-)
Pin 3	Entrada de detección de voltaje aislada (+)
Pin 4	Entrada de detección de voltaje aislada (-)
Pin 5	Salida de suministro de 24 V CC (150 mA máximo)
Pin 6	Conexión a tierra
Pin 7	RS485 Ref.
Pin 8	RS485 (+)
Pin 9	RS485 (-)

J2	
Pin 1	No se usa
Pin 2	No se usa
Pin 3	No se usa
Pin 4	No se usa
Pin 5	Entrada del terminal de descenso
Pin 6	Entrada del terminal de ascenso
Pin 7	Conexión a tierra
Pin 8	Entrada de error de descenso
Pin 9	Entrada de error de ascenso
Pin 10	Conexión a tierra
Pin 11	Salida de límite de extensión
Pin 12	Retorno de salida de límite de extensión
Pin 13	Salida de límite de retracción
Pin 14	Retorno de salida de límite de retracción

Otras opciones de contactos secos

Descenso y ascenso con un solo interruptor

Pines 1 y 2 del conector de 9 pines. (Consulte la Figura 30 y la Figura 32).

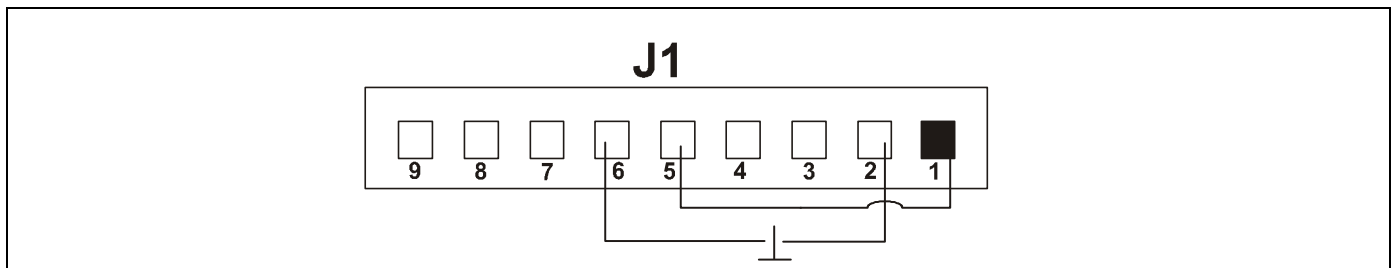


Figura 32

Detección de voltaje: fuente de alimentación externa

La unidad desciende y permanece en esa posición cuando se aplica voltaje de una fuente externa a través de los pines 3 y 4 del conector J1. Cuando se retira el voltaje, la unidad asciende. (Consulte la Figura 30 y la Figura 33).

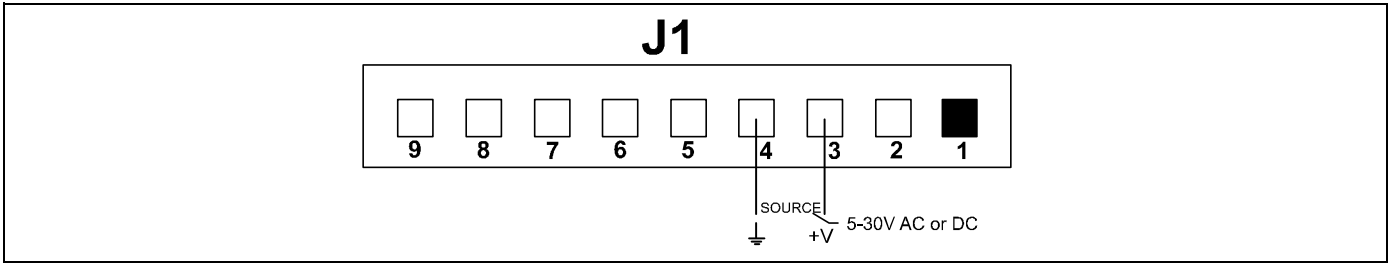


Figura 33

Detección de voltaje: fuente de alimentación interna de 24 V CC

La fuente de alimentación de 24 V CC integrada a la unidad puede utilizarse para alimentar dispositivos externos mediante los pines 5 y 6 del conector J1.

NOTA: El uso de esta entrada hará que la unidad ejecute un ciclo de ASCENSO/DESCENSO completo. Hasta que el ciclo se haya completado, ninguna otra entrada estará disponible, a excepción de las entradas de error. (Consulte la Figura 30 y la Figura 34).

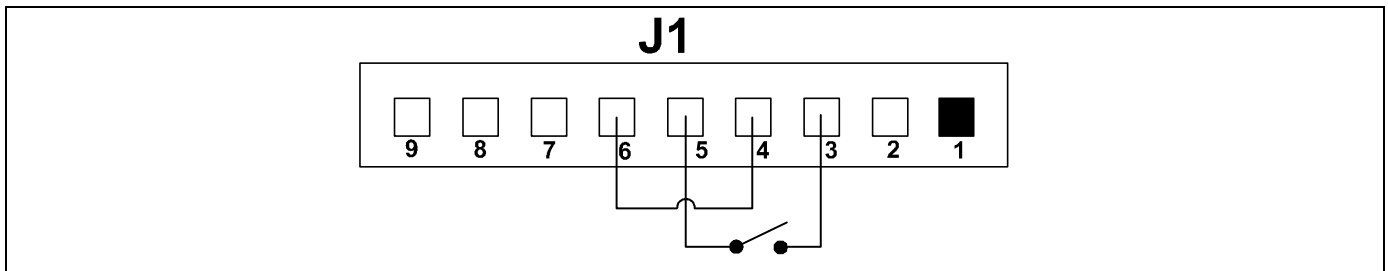


Figura 34

Entrada de error de descenso

NOTA: Las unidades se despachan con contactos de error "normalmente abiertos". Para configurar la unidad para que responda a contactos de error "normalmente cerrados", comuníquese con un representante de soporte técnico de Chief al 1-800-582-6480 o visite www.chiefmfg.com.

Cuando la unidad recibe una señal de error de descenso durante una operación de descenso, se detiene de inmediato y asciende. (Consulte la Figura 30 y la Figura 35).

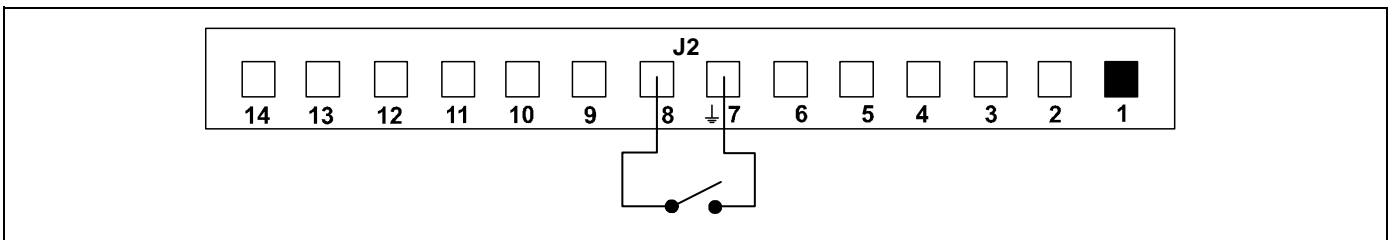


Figura 35

Entrada de error de ascenso

NOTA: Las unidades se despachan con contactos de error "normalmente abiertos". Para configurar la unidad para que responda a contactos de error "normalmente cerrados", comuníquese con un representante de soporte técnico de Chief al 1-800-582-6480 o visite www.chiefmfg.com.

Cuando la unidad recibe una señal de error de ascenso durante una operación de ascenso, se detiene de inmediato y desciende. (Consulte la Figura 30 y la Figura 36).

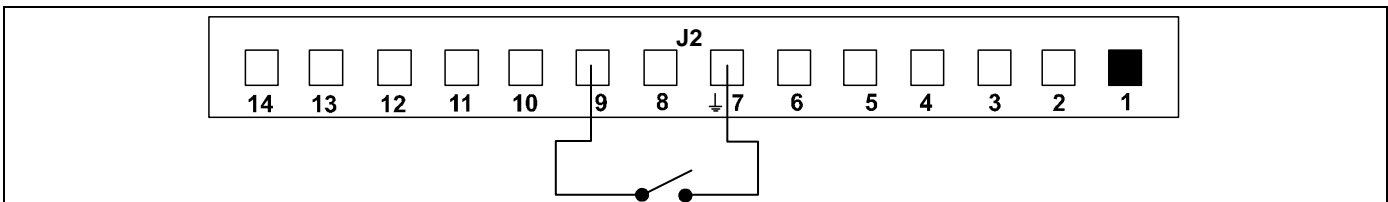


Figura 36

Opción de límite de extensión

El conjunto de contactos secos internos se cierra cuando la unidad alcanza el límite de extensión.

Régimen de trabajo del contacto: 30 V CA o CC 1 A máximo

(Consulte la Figura 30 y la Figura 37).

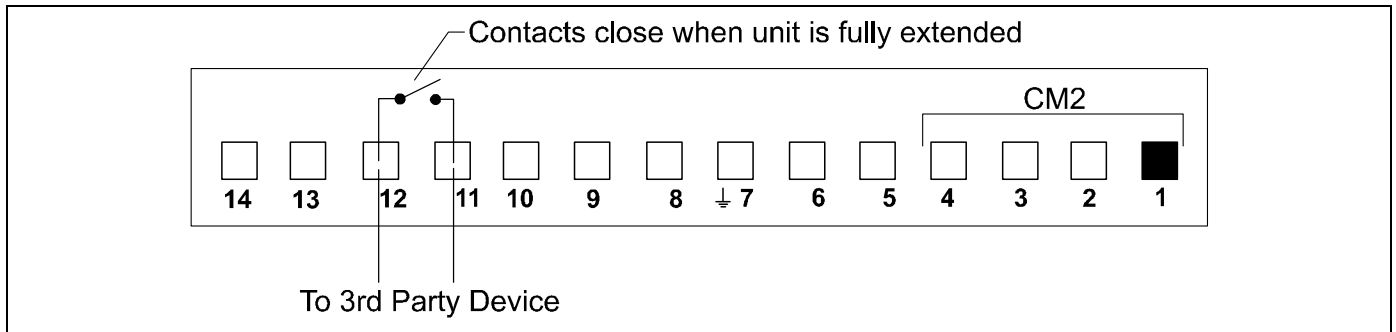


Figura 37

Opción de límite de retracción

El conjunto de contactos secos internos se cierra cuando la unidad alcanza el límite de retracción.

Régimen de trabajo del contacto: 30 V CA o CC 1 A máximo

(Consulte la Figura 30 y la Figura 38).

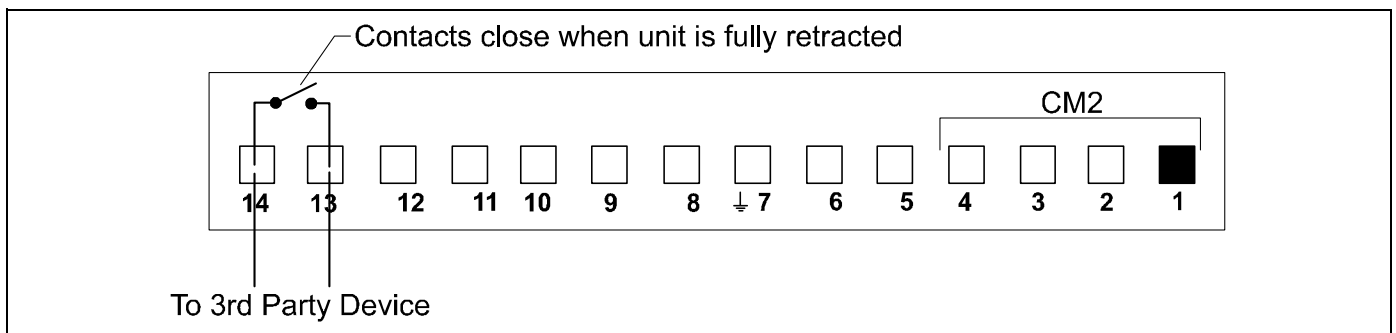


Figura 38

NOTA: Pueden utilizarse varias funciones de control al mismo tiempo a excepción de la función Detección de voltaje.

Ejemplo: Control IR o serie junto con un botón de acción momentánea para servicio y un interruptor de pared discreto de ascenso/descenso para operar la unidad.

IMPORTANTE: Cuando utilice varias funciones de control, asegúrese de que TODOS los contactos sean momentáneos y "normalmente ABIERTOS".

Asignación de conectores e interruptores

La unidad se despacha con todos los interruptores DIP en la posición de apagado (*OFF*).

SW1	
Interruptor 1	IR
Interruptor 2	IR
Interruptor 3	IR
Interruptor 4	No se usa
Interruptor 5	No se usa
Interruptor 6	Dirección 485
Interruptor 7	Dirección 485
Interruptor 8	Dirección 485

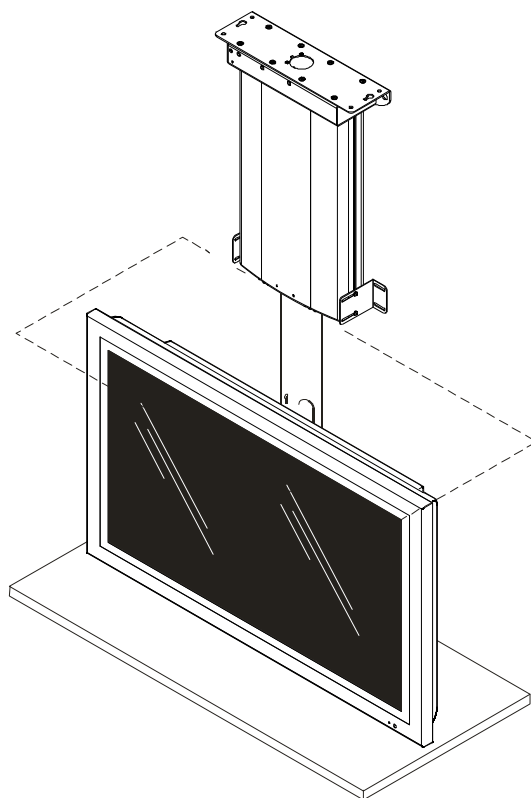
Lógica de selección del código del sistema IR			
Configuración de interruptores (interruptores 1 a 3)			
Selección 2	Selección 1	Selección 0	Código del sistema IR
Apagado	Apagado	Apagado	6E
Apagado	Apagado	Encendido	E1
Apagado	Encendido	Apagado	E2
Apagado	Encendido	Encendido	E3
Encendido	Apagado	Apagado	E4
Encendido	Apagado	Encendido	E5
Encendido	Encendido	Apagado	E6
Encendido	Encendido	Encendido	E7

Lógica de selección de dirección de la red RS485			
Configuración de interruptores (interruptores 6 a 8)			
Selección 2	Selección 1	Selección 0	Dirección de la red RS485
Apagado	Apagado	Apagado	00
Apagado	Apagado	Encendido	01
Apagado	Encendido	Apagado	02
Apagado	Encendido	Encendido	03
Encendido	Apagado	Apagado	04
Encendido	Apagado	Encendido	05
Encendido	Encendido	Apagado	06
Encendido	Encendido	Encendido	07

Solución de problemas

SÍNTOMA	CAUSA POSIBLE	ACCIÓN CORRECTIVA
El elevador no responde.	<ul style="list-style-type: none"> El soporte no recibe energía eléctrica. Se está utilizando la función de detección de voltaje. El motor se ha sobrecalentado. 	Verifique que el soporte esté enchufado. Operación normal. Consulte la sección "Detección de voltaje bajo". Deje que el motor se enfríe durante 10 a 15 minutos.

ИНСТРУКЦИИ ПО УСТАНОВКЕ



Автоматическое устройство подъема для крепления плоской панели на потолке

Данное устройство соответствует части 15 правил FCC. Эксплуатация устройства допускается при выполнении следующих двух условий: (1) это устройство не должно вызывать вредных помех и (2) это устройство должно принимать все помехи, включая помехи, которые могут препятствовать нормальной эксплуатации.

Данное оборудование было проверено и соответствует ограничениям на цифровые устройства класса B, согласно части 15 правил FCC. Целью этих ограничений является обеспечение приемлемой защиты от помех при установке оборудования в жилых зданиях. Данное оборудование генерирует, использует и может излучать энергию в радиочастотном диапазоне, и при нарушении инструкций по установке и эксплуатации оно может создавать помехи для радиосвязи и телевизионного сигнала. Однако нет гарантии, что такие помехи не возникнут при определенной установке. Если это устройство создает вредные помехи для приема радио- или телепередач, что можно определить выключением и включением устройства, пользователю рекомендуется попытаться устранить помехи одним или несколькими из следующих способов.

- Изменить ориентацию или местоположение антенны.
- Увеличить расстояние между устройством и приемником.
- Подключить данное устройство и приемник к розеткам в различных цепях.

Обратиться за помощью к продавцу или опытному специалисту по теле- и радиотехнике.

Компания Milestone AV Technologies, и ее дочерние компании и филиалы (обобщенно «Milestone») стремятся сделать это руководство точным и полным. Однако информация, содержащаяся в этом руководстве, может не освещать всех деталей, условий или видоизменений, а также может не предусматривать всех возможных случаев установки или использования данного продукта. Содержащаяся в данном документе информация может быть изменена без уведомления или какого-либо обязательства со стороны компании. Milestone не предоставляет гарантий, прямых или косвенных, по информации, содержащейся в руководстве. Milestone не берет на себя ответственность за точность, полноту или достаточность информации, содержащейся в данном документе.



ВАЖНЫЕ ПРЕДУПРЕЖДЕНИЯ И ПРЕДОСТЕРЕЖЕНИЯ!

В этих инструкциях и для маркировки продукта используются предупреждающие сообщения **ОПАСНОСТЬ**, **ПРЕДУПРЕЖДЕНИЕ**, **ПРЕДОСТЕРЕЖЕНИЕ**, **ВАЖНО** и **ПРИМЕЧАНИЕ**, которые необходимы, чтобы предупредить читателя и/или оператора о существовании опасных ситуаций, условий и/или важной информации об эксплуатации или обслуживании устройства.

«СОХРАНИТЕ ЭТИ ИНСТРУКЦИИ»



ПРЕДУПРЕЖДЕНИЕ. предупреждения о возможности получения серьезных или смертельных травм при невыполнении инструкций.



ПРЕДОСТЕРЕЖЕНИЕ. предупреждения о возможности повреждения или выхода из строя оборудования при невыполнении соответствующих инструкций.



ПРЕДУПРЕЖДЕНИЕ. НЕВНИМАТЕЛЬНОЕ ПРОЧТЕНИЕ И НЕСОБЛЮДЕНИЕ СЛЕДУЮЩИХ ИНСТРУКЦИЙ МОЖЕТ ПРИВЕСТИ К ПОЛУЧЕНИЮ СЕРЬЕЗНЫХ ТРАВМ, ПОВРЕЖДЕНИЮ ОБОРУДОВАНИЯ ИЛИ ПРЕКРАЩЕНИЮ ДЕЙСТВИЯ ЗАВОДСКОЙ ГАРАНТИИ. Обязанность человека, выполняющего установку, с помощью предоставленных инструкций убедиться, что все компоненты правильно собраны и установлены. Ознакомьтесь со всеми инструкциями перед использованием этого оборудования.



ОПАСНОСТЬ. УСТРАНЕНИЕ РИСКА ПОРАЖЕНИЯ ЭЛЕКТРИЧЕСКИМ ТОКОМ:

- ВСЕГДА отключайте оборудование от электрической сети перед выполнением очистки.



ПРЕДУПРЕЖДЕНИЕ. УСТРАНЕНИЕ РИСКА ПОЛУЧЕНИЯ ОЖОГОВ И ТРАВМ, ВОЗНИКНОВЕНИЯ ПОЖАРА И ПОРАЖЕНИЯ ЭЛЕКТРИЧЕСКИМ ТОКОМ:

- Отключайте оборудование от электрической сети перед установкой или извлечением компонентов.
- Внимательный контроль требуется при использовании оборудования детьми или людьми с ограниченными возможностями или в их присутствии.
- Используйте это устройство только по назначению, как описано в этих инструкциях. НЕ используйте дополнительные приспособления, не рекомендованные производителем.
- НЕ допускайте эксплуатацию этого оборудования при повреждении шнура или штепсельной вилки, неправильной работе, ударе, повреждении или попадании оборудования в воду. Верните оборудование в центр по обслуживанию для проверки и ремонта.
- Не допускайте попадания шнура на поверхности нагрева.
- НЕ используйте устройство, если отверстия для воздуха заблокированы. Очищайте отверстия для воздуха от пыли и загрязнений.
- НЕ допускайте попадания каких-либо посторонних частей в отверстия.
- НЕ предназначено для наружного использования.
- НЕ устанавливайте в местах распыления аэрозолей или плохо проветриваемых помещениях.
- Для отключения переведите все элементы управления в положение выключения, а затем отключите шнур от электрической розетки.



ПРЕДУПРЕЖДЕНИЕ. ВОЗМОЖНОСТЬ ПОРАЖЕНИЯ ЭЛЕКТРИЧЕСКИМ ТОКОМ! Подключайте устройство только к правильно заземленной розетке.



ПРЕДОСТЕРЕЖЕНИЕ. ОДИН КОНЕЦ ШНУРА ЭЛЕКТРОПИТАНИЯ ВСЕГДА ДОЛЖЕН БЫТЬ ДОСТУПНЫМ! Никогда НЕ заграждайте и НЕ препятствуйте доступу к штепсельной вилке!

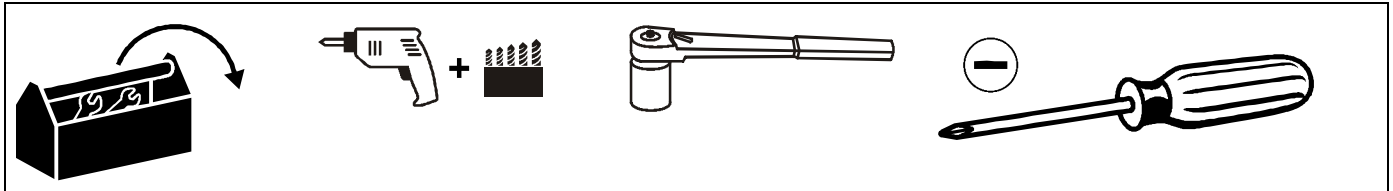


ПРЕДОСТЕРЕЖЕНИЕ. изменения или модификации этого устройства, явно не одобренные производителем, могут нарушить соответствие устройства правилам FCC и сделать эксплуатацию устройства незаконной.

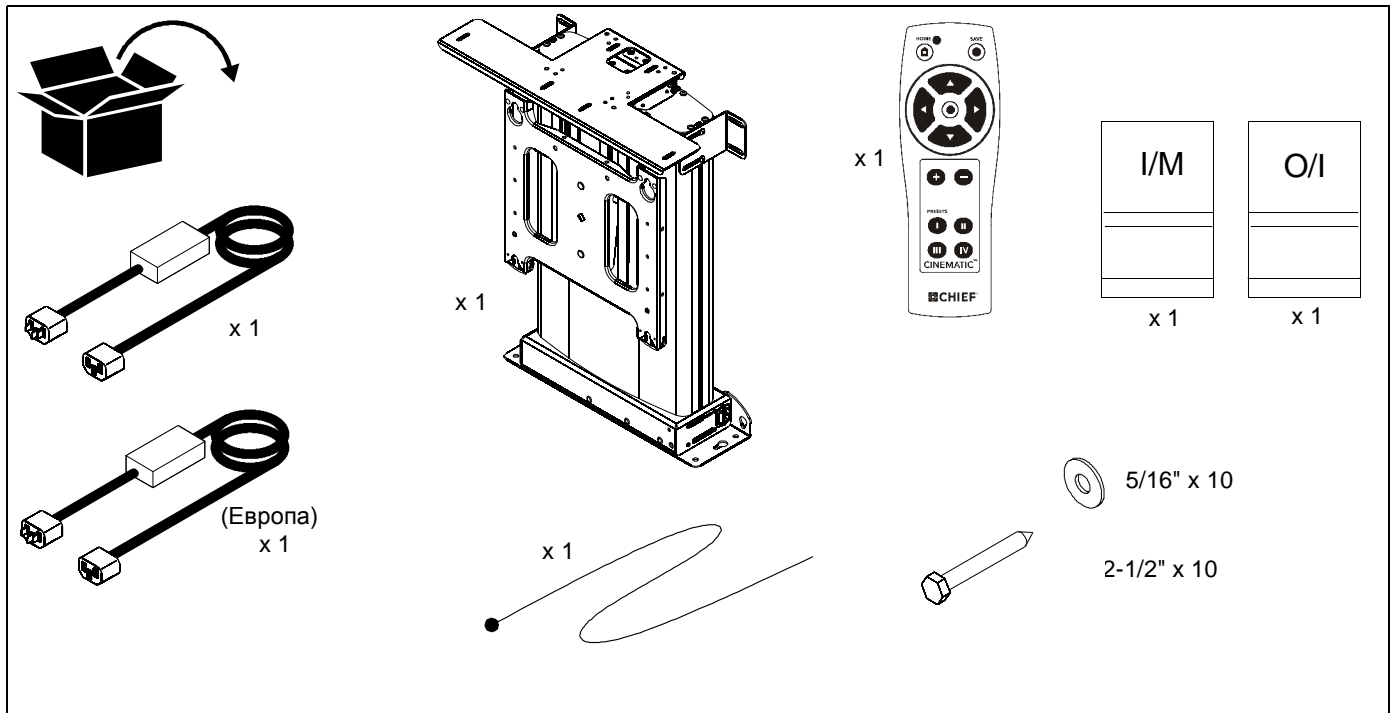
СОДЕРЖАНИЕ

ТРЕБОВАНИЯ К УСТАНОВКЕ	54
Требования к электропитанию и электропроводке	54
УСТАНОВКА	54
Конфигурация и настройки перед установкой.....	54
Настройка кронштейна для монитора	54
Монтаж и прокладка кабеля	56
Установка кронштейна	60
Установка монитора	62
Установка нижней крышки	64
НАСТРОЙКИ	65
Регулировка положения нижней крышки	65
Регулировка опор стоек устройства подъема	66
Расширенные возможности программирования	67
Программирование IR-SE15	68
Последовательные передачи данных	69
Описание оборудования CM2	70
Сведения об оборудовании интерфейсной платы CM2	70
Замыкания «сухих» контактов	70
Другие варианты сухих контактов	71
Назначения разъемов и переключателей	74
Устранение неисправностей	74



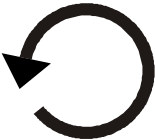









ИНСТРУМЕНТЫ, НЕОБХОДИМЫЕ ДЛЯ УСТАНОВКИ

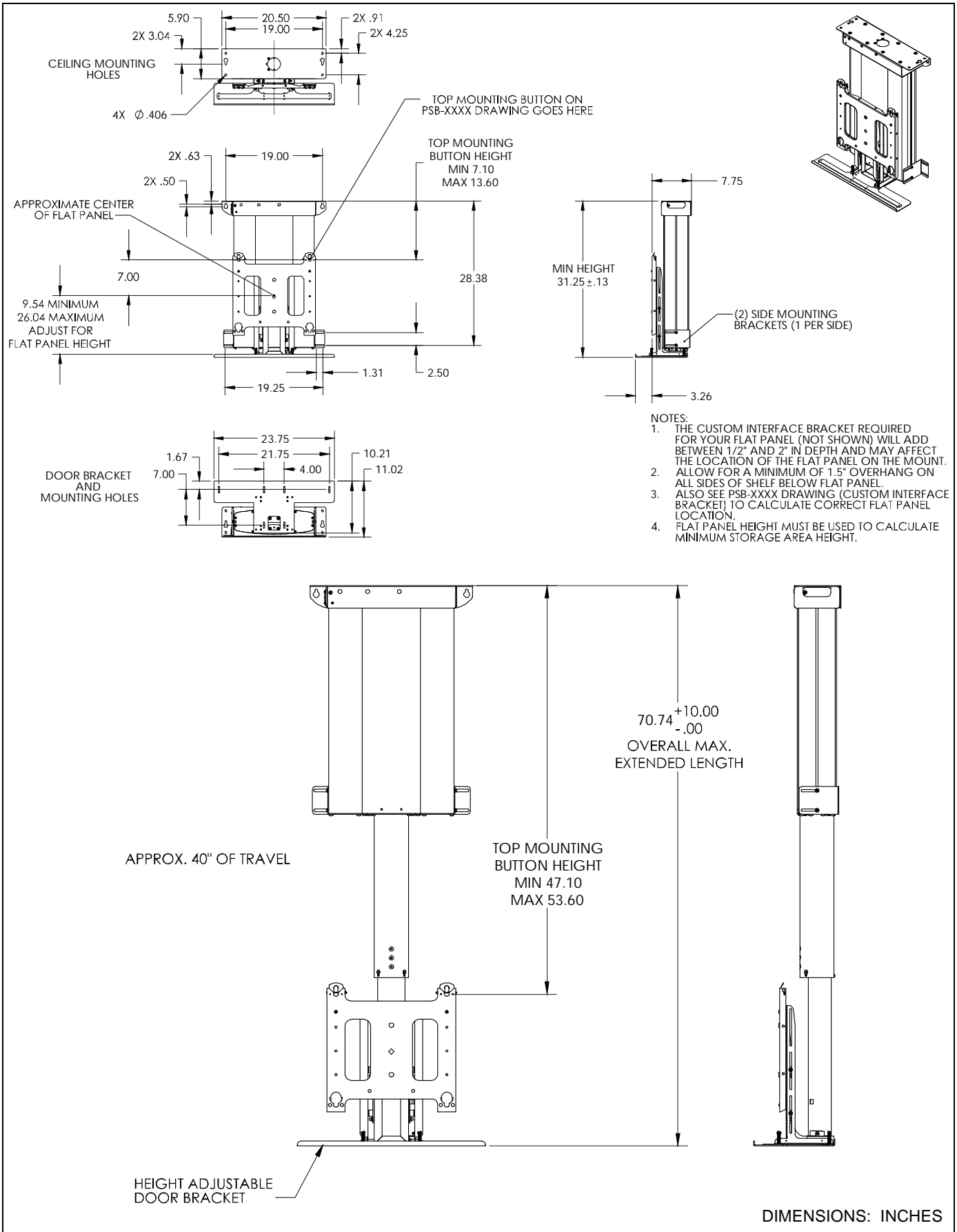


КОМПОНЕНТЫ



УСЛОВНЫЕ ОБОЗНАЧЕНИЯ

	<p>Tighten Fastener Apretar elemento de fijación Затянуть крепежный элемент</p>		<p>Pencil Mark Marcar con lápiz Карандашная пометка</p>
	<p>Loosen Fastener Aflojar elemento de fijación Ослабить крепежный элемент</p>		<p>Drill Hole Perforar Просверлить отверстие</p>
	<p>Phillips Screwdriver Destornillador Phillips Крестообразная отвертка</p>		<p>Adjust Ajustar Отрегулировать</p>
	<p>Open-Ended Wrench Llave de boca Открытый рожковый ключ</p>		<p>Remove Quitar Удалить</p>
	<p>By Hand A mano Вручную</p>		<p>Optional Opcional Необязательно</p>
	<p>Hex-Head Wrench Llave de cabeza hexagonal Ключ с шестигранной головкой</p>		<p>Security Wrench Llave de seguridad Специальный ключ</p>



ТРЕБОВАНИЯ К УСТАНОВКЕ

Конструкция устройства CM2C40 предусматривает подвешивание на потолке или монтирование в существующих структурах каркасных стен.



ПРЕДУПРЕЖДЕНИЕ. НЕПРАВИЛЬНАЯ УСТАНОВКА МОЖЕТ СТАТЬ ПРИЧИНОЙ ОПРОКИДЫВАНИЯ ПОДЪЕМНОГО УСТРОЙСТВА И ПОВЛЕЧЬ СЕРЬЕЗНЫЕ ТРАВМЫ ИЛИ ПОВРЕЖДЕНИЯ ОБОРУДОВАНИЯ! Обязанность человека, выполняющего установку, убедиться, что элементы опорной поверхности, на которую устанавливается устройство подъема, способны выдерживать четырехкратный суммарный вес оборудования.

Требования к электропитанию и электропроводке

Для эксплуатации устройства CM2C40 требуется источник питания с напряжением переменного тока 120 В (220/240 В, 50 Гц для установки на территории Европы).

Шнур питания длиной 6" поставляется с кронштейном.

УСТАНОВКА

Конфигурация и настройки перед установкой

Перед установкой устройства CM2C40 необходимо отрегулировать положение кронштейна для монитора, проложить кабель и выполнить грубую настройку крепежного кронштейна верхней крышки.

Порядок подготовки устройства CM2C40 к установке:

1. Извлеките кронштейн из коробки.
2. Извлеките две деревянные опоры из-под коробки.
3. Положите две деревянные стойки на пол и выполните монтаж CM2C40 к стойкам с использованием четырех плоских шайб 5/16" и четырех болтов 5/16" x 2 1/2" (поставляются с оборудованием). (см. рис. 1)

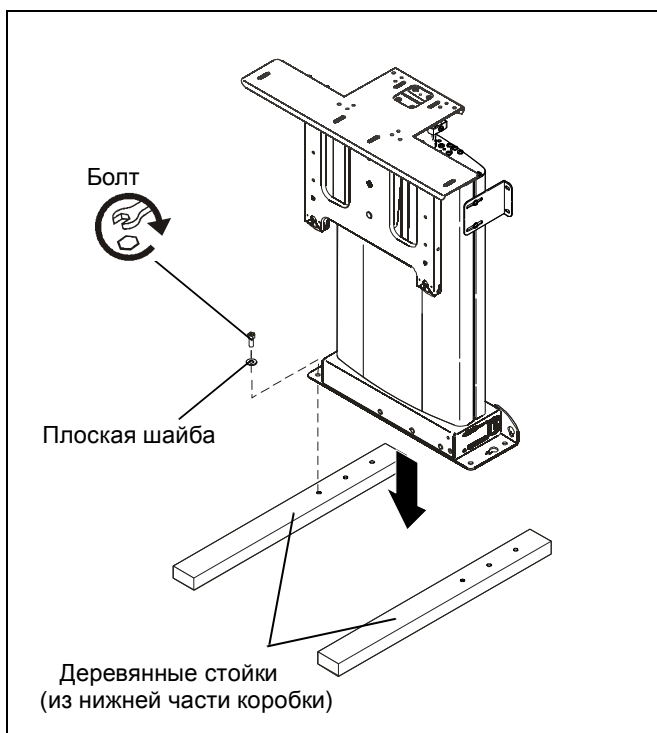


рис. 1

Настройка кронштейна для монитора

Перед установкой устройство CM2C40 необходимо отрегулировать, чтобы оно соответствовало размеру используемого монитора.

Порядок подготовки устройства CM2C40 для соответствия размеру устанавливаемого монитора:

1. Закрепите соединительный кронштейн или монтажные крепежи на мониторе, следуя инструкциям, поставляемым с кронштейном.
2. Измерьте расстояние от центра верхнего монтажного крепежа до верхней точки монитора.
3. Запишите результаты измерения.

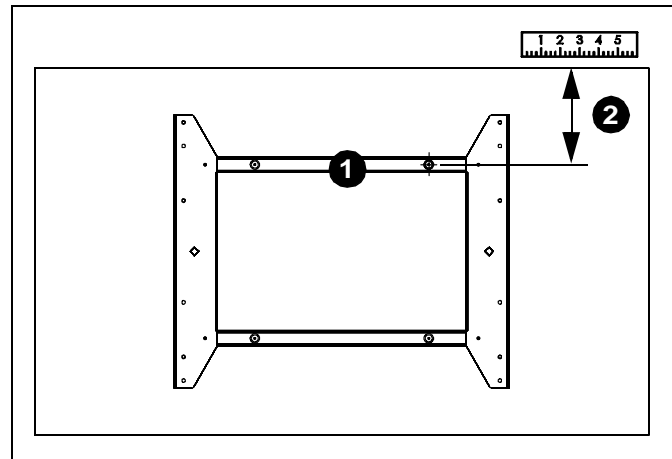


рис. 2

ВАЖНО! Если размер на рис. 2 превышает 342.9 мм (13,5"), перед монтажом монитора необходимо настроить лицевую панель. Если размер на рис. 2 не превышает 342.9 мм (13,5"), перейдите к разделу *Монтаж и прокладка кабеля* ниже.

Настройка положения лицевой панели

Устройство CM2C40 можно отрегулировать на 6,5 дюймов. Регулировка до 2 дюймов достигается за счет настройки положения лицевой панели на монтажном кронштейне лицевой панели и до 4,5 дюймов за счет настройки монтажного кронштейна лицевой панели.

Вычтите 13,5" дюймов из размера, указанного на рис. 2. Разницей является общая величина, на которую необходимо настроить положение лицевой панели.

Пример.

Размер в действии 2 = 15"

15" - 13,5" = 1,5" (Величина требуемой настройки лицевой панели)

Если требуется настройка лицевой панели на 2 дюйма или менее, перейдите к действию 5. Если величина настройки лицевой панели превышает 2 дюйма, перейдите к действию 8.

ПРИМЕЧАНИЕ. В зависимости от требуемой величины настройки лицевой панели может потребоваться как регулировка положения лицевой панели, так и регулировка монтажного кронштейна лицевой панели.

Если требуется регулировка на 2 дюйма или менее, выполните следующее:

4. Установите ИК-приемник. (см. рис. 3)
5. Подключите соответствующий шнур питания к кронштейну и источнику питания.
6. С помощью пульта дистанционного управления поднимите устройство подъема, чтобы контргайки на задней части лицевой панели стали доступны. (см. рис. 3)



ПРЕДУПРЕЖДЕНИЕ. ОПАСНОСТЬ ЗАЩЕМЛЕНИЯ! ПРИ ПОПАДАНИИ ПАЛЬЦЕВ ИЛИ РУК МЕЖДУ ДВИЖУЩИМИСЯ ЧАСТЯМИ МОГУТ БЫТЬ ПОЛУЧЕНЫ СЕРЬЕЗНЫЕ ТРАВМЫ! Во время эксплуатации держите руки как можно дальше от кронштейна.

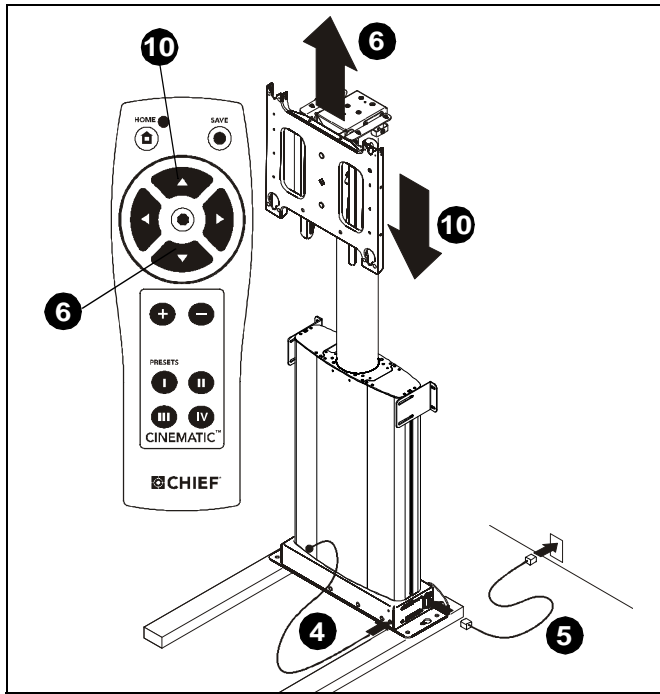


рис. 3

7. Открутите две контргайки, закрепляющие лицевую панель на монтажном кронштейне лицевой панели. (см. рис. 4)
8. Переместите лицевую панель на один набор отверстий выше, чтобы настроить положение на 1 дюйм, или на два набора отверстий выше, чтобы настроить положение на 2 дюйма. (см. рис. 4)

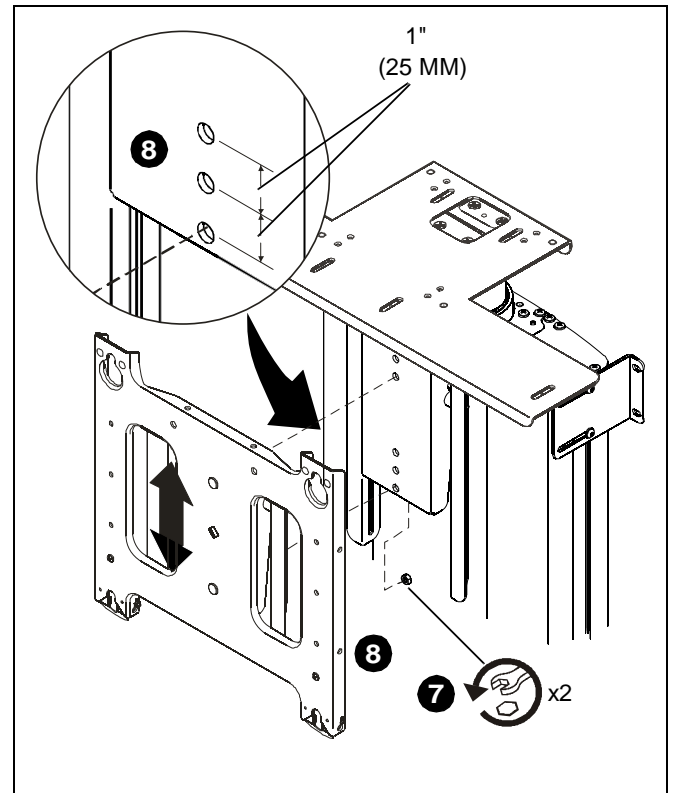


рис. 4

9. Закрепите лицевую панель на монтажном кронштейне лицевой панели с помощью двух контргаек. (см. рис. 5)

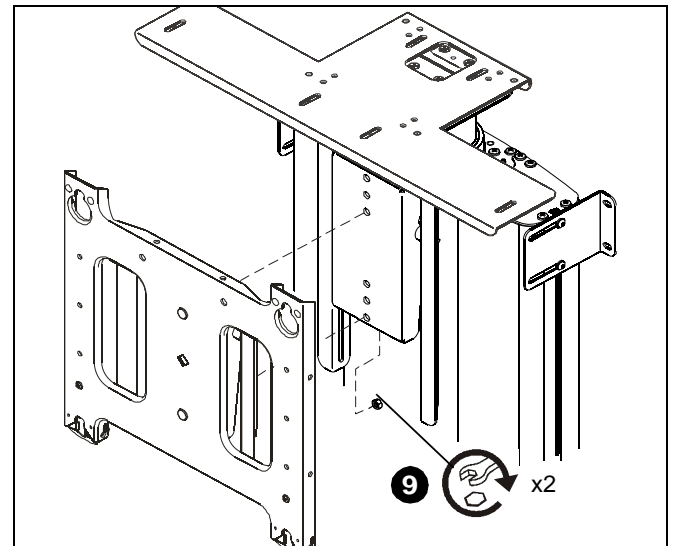


рис. 5

10. С помощью пульта дистанционного управления опустите устройство подъема до остановки. (см. рис. 3)

Если требуется настроить положение лицевой панели более чем на 2 дюйма, выполните следующее:

11. Поднимите устройство подъема, следуя инструкциям, приведенным в действии 6. (см. рис. 3)
12. Ослабьте четыре гайки, закрепляющие монтажный кронштейн лицевой панели и рамку. (см. рис. 6)
13. Переместите монтажный кронштейн лицевой панели на необходимую высоту. (см. рис. 6)

ПРИМЕЧАНИЕ. Устройство CM2C40 поставляется с монтажным кронштейном лицевой панели, установленным в нижние углубления. Дополнительную четвертую регулировку лицевой панели на 2 дюйма можно выполнить, переместив монтажный кронштейн лицевой панели в верхние углубления.

14. Затяните четыре гайки, чтобы закрепить монтажный кронштейн лицевой панели на рамке.



ПРЕДУПРЕЖДЕНИЕ. НЕПРАВИЛЬНАЯ УСТАНОВКА МОЖЕТ ПРИВЕСТИ К СЕРЬЕЗНЫМ ТРАВМАМ ИЛИ ПОВРЕЖДЕНИЮ ОБОРУДОВАНИЯ! Убедитесь, что все четыре гайки затянуты, перед продолжением установки!

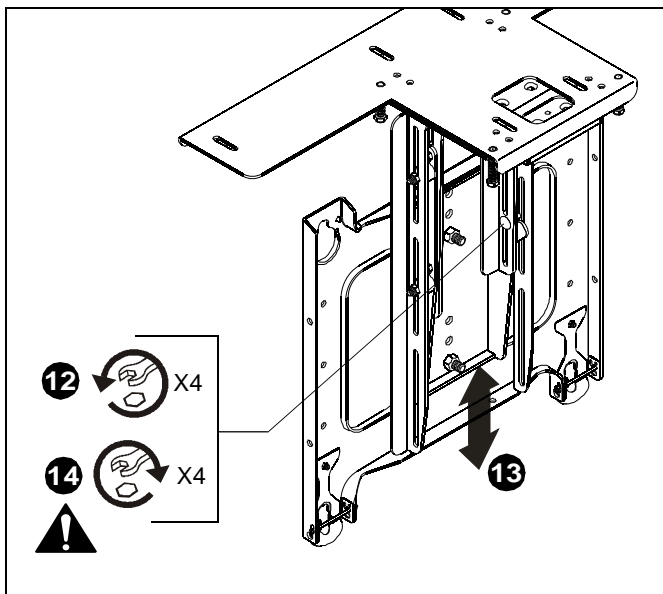


рис. 6

15. Выровняйте стойки лицевой панели с соответствующими отверстиями в монтажном кронштейне лицевой панели и повесьте лицевую панель на кронштейн со стойками.

16. Закрепите лицевую панель на монтажном кронштейне лицевой панели с помощью двух контргаек. (см. рис. 7)

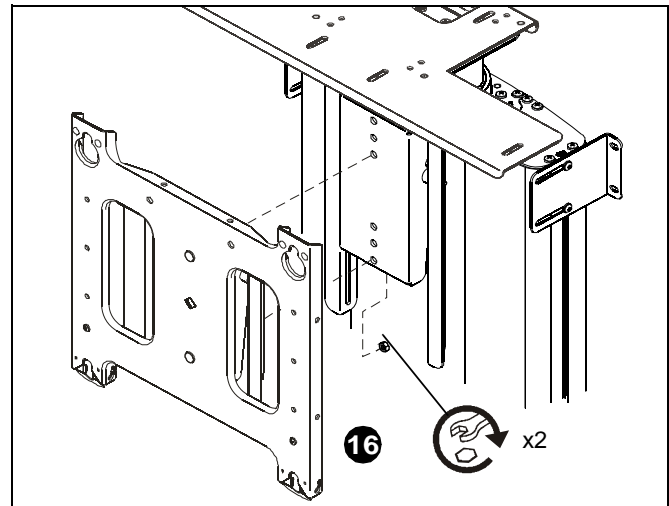


рис. 7

Монтаж и прокладка кабеля

В устройстве CM2C40 предусмотрена встроенная система управления кабелем, которая позволяет автоматически вытягивать кабель при поднятии устройства подъема и убирать его при опускании устройства. При этом поддерживается постоянное натяжение кабеля.

ПРИМЕЧАНИЕ. На иллюстрациях к данной процедуре некоторые компоненты удалены для наглядности.

ВАЖНО! В системе CM2C40 минимальная длина кабелей от монитора через нижний кронштейн составляет 2,5 метра.

Порядок прокладки кабелей:

1. Открутите два винта, закрепляющих боковую крышку направляющей кабелей.
2. Отложите винты в сторону для повторного использования. (см. рис. 8)

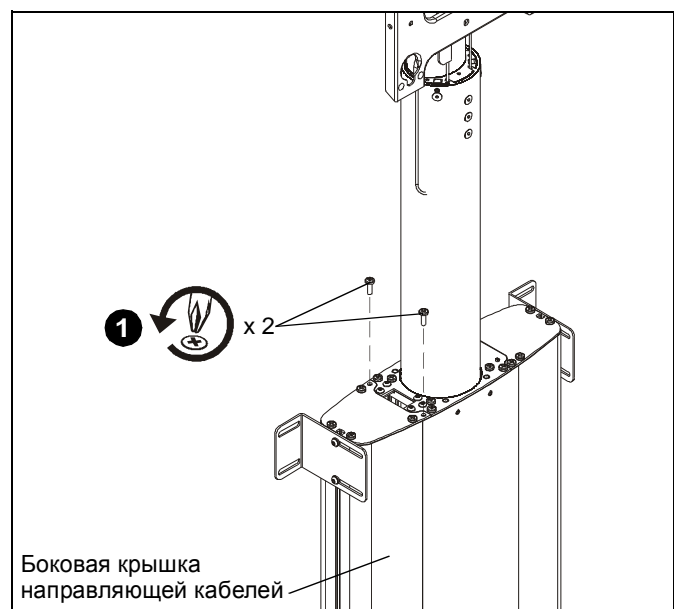


рис. 8

3. Снимите боковую крышку направляющей кабелей с кронштейна и осторожно отложите в сторону.
4. Ослабьте три зажима кабеля. (см. рис. 10)
5. Проложите кабель вниз через верхний зажим кабеля. (см. рис. 10) и (см. рис. 11)

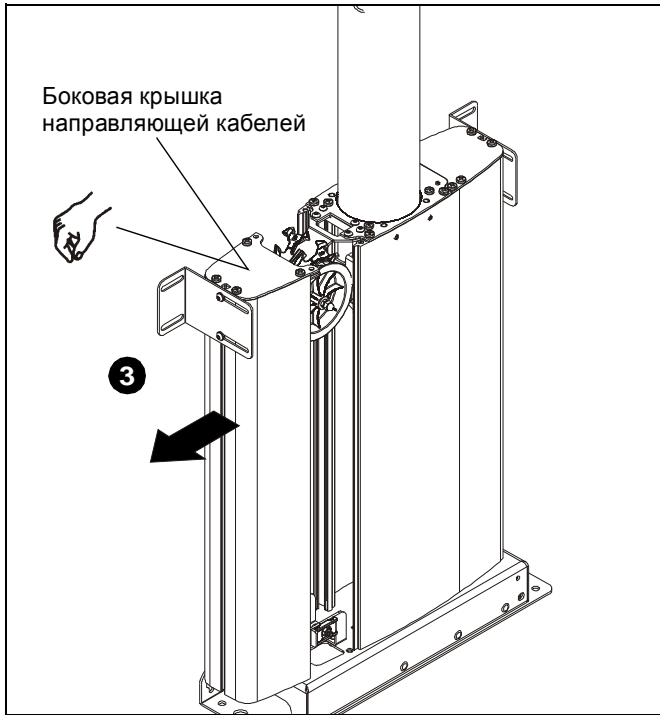


рис. 9

ВАЖНО! Равномерно распределите кабели между четырьмя верхними участками зажимов, для того чтобы предотвратить их запутывание и неправильную работу CM2.

ВАЖНО! Оставьте кабель достаточной длины над верхним зажимом кабеля для прокладки и фиксации кабелей между верхним зажимом кабеля и монитором.

6. Проложите кабель вниз через отверстие за кабельный шквив. (см. рис. 10) и (см. рис. 11)



ПРЕДОСТЕРЕЖЕНИЕ! НЕ ПЕРЕКРУЧИВАЙТЕ И НЕ СГИБАЙТЕ КАБЕЛИ! Если во время работы кабели сгибать или перекручивать, они могут повредиться.

- Убедитесь, что кабели на задней части CM2 (серые) находятся на задней части кабельного шквива. (см. рис. 10) и (см. рис. 11)
- Убедитесь, что кабели на передней части CM2 (черные) находятся на передней части кабельного шквива. (см. рис. 10) и (см. рис. 11)

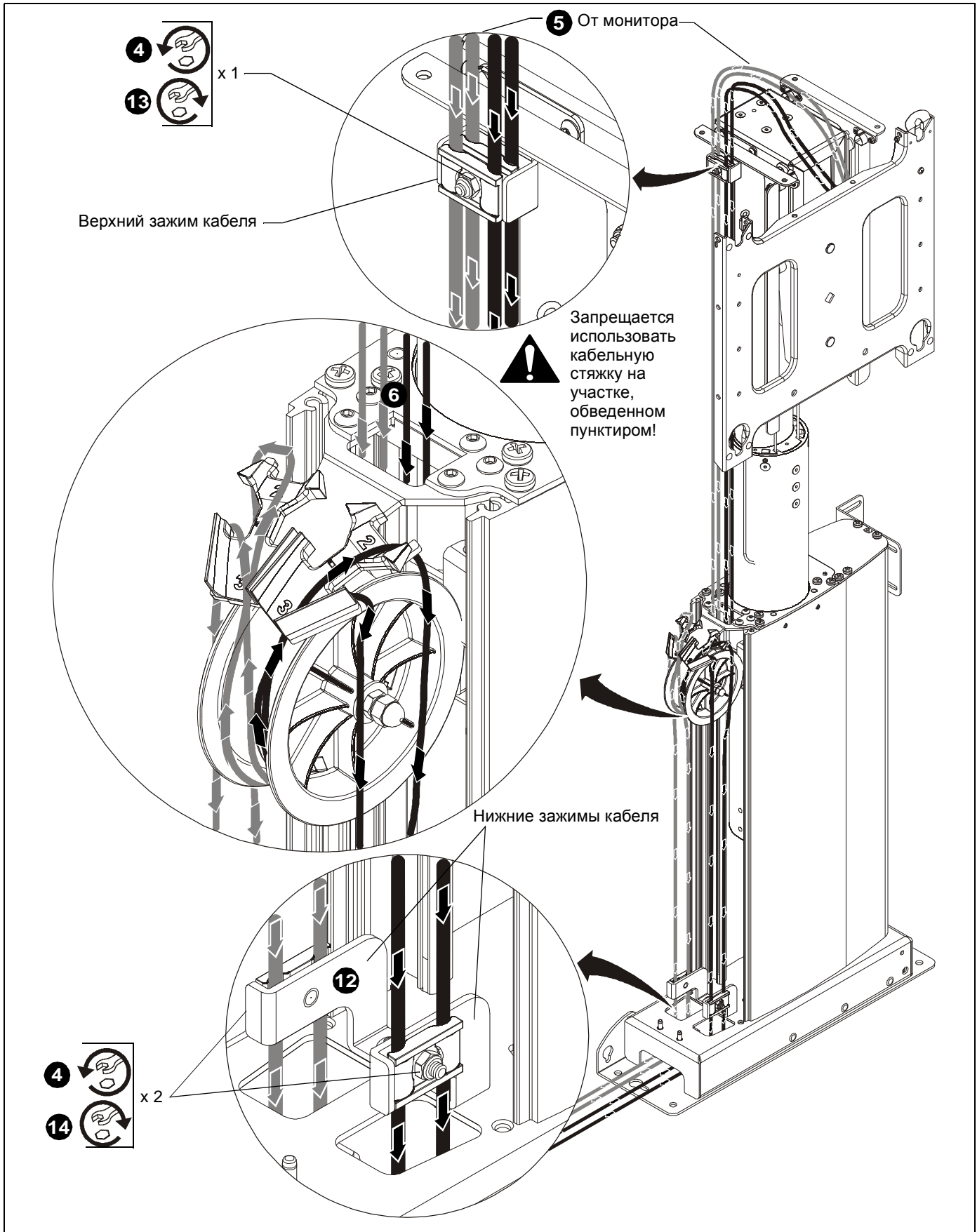


рис. 10

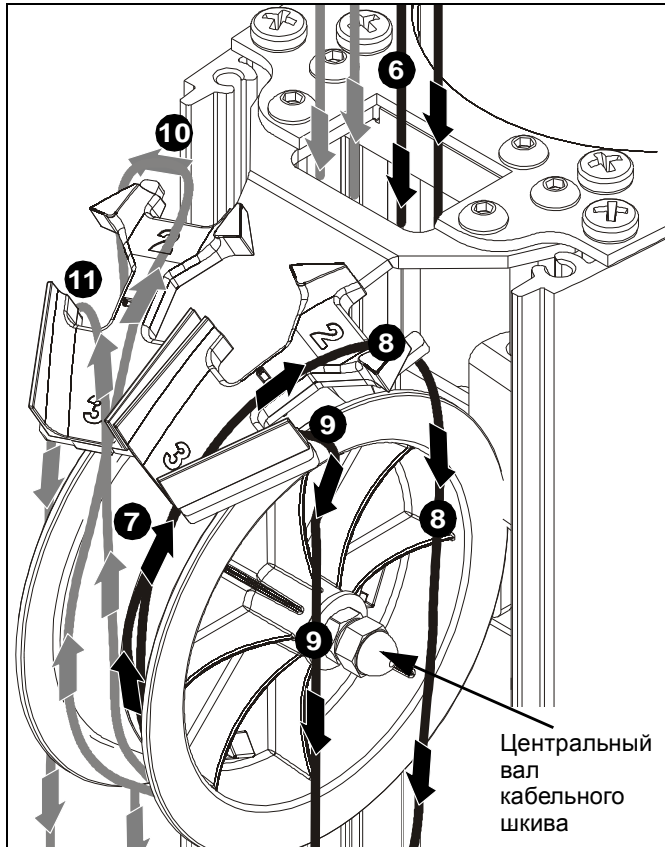


рис. 11

7. Проложите кабели под кабельным шкивом и заведите их вверх над **верхней частью** кабельного шкива. (см. рис. 10) и (см. рис. 11)
8. Проложите один кабель от передних (черных) зажимов кабеля через отверстие для кабеля № 2 и опустите прямо вниз рядом с центральным валом кабельного шкива. (см. рис. 10) и (см. рис. 11)
9. Проложите один кабель от передних (черных) зажимов кабеля через отверстие для кабеля № 3 и опустите прямо вниз с другой стороны центрального вала кабельного шкива. (см. рис. 10) и (см. рис. 11)
10. Проложите один кабель от задних (серых) зажимов кабеля через отверстие для кабеля № 2 и опустите прямо вниз рядом с центральным валом кабельного шкива. (см. рис. 10) и (см. рис. 11)
11. Проложите один кабель от задних (серых) зажимов кабеля через отверстие для кабеля № 3 и опустите прямо вниз с другой стороны центрального вала кабельного шкива. (см. рис. 10) и (см. рис. 11)

ВАЖНО! Убедитесь, что кабели не согнуты и не перекручены! Кабели с передних (черных) верхних зажимов (см. рис. 10) должны быть спереди кабельного шкива (см. рис. 11) и спереди нижнего зажима кабеля (см. рис. 10). Кабели с задних (серых) верхних зажимов (см. рис. 10) должны быть сзади кабельного шкива (см. рис. 11) и сзади нижнего зажима кабеля (см. рис. 10).

12. Продолжайте прокладку кабелей вниз через нижние кабельные зажимы. (см. рис. 10)
13. Зафиксируйте верхний зажим кабеля, убедившись, что кабели правильно установлены в зажиме и не защемлены.



ПРЕДОСТЕРЕЖЕНИЕ! ЧРЕЗМЕРНОЕ ЗАТЯГИВАНИЕ ЗАЖИМОВ КАБЕЛЯ МОЖЕТ ПРИВЕСТИ К ПОРЧЕ КАБЕЛЯ, ЧТО В СВОЮ ОЧЕРЕДЬ МОЖЕТ СТАТЬ ПРИЧИНОЙ ПОВРЕЖДЕНИЯ ОБОРУДОВАНИЯ! НЕ применяйте чрезмерные усилия при затягивании зажимов кабеля.

14. Начиная от верхнего кабельного зажима и перемещаясь вниз, удалите все провисания кабелей и затяните нижние зажимы кабелей. (см. рис. 10)
15. Плавно передвигайте боковую крышку направляющей кабелей по креплению CM2 и соедините два отверстия в боковой крышке направляющей кабеля с двумя отверстиями в креплении CM2. (см. рис. 12)

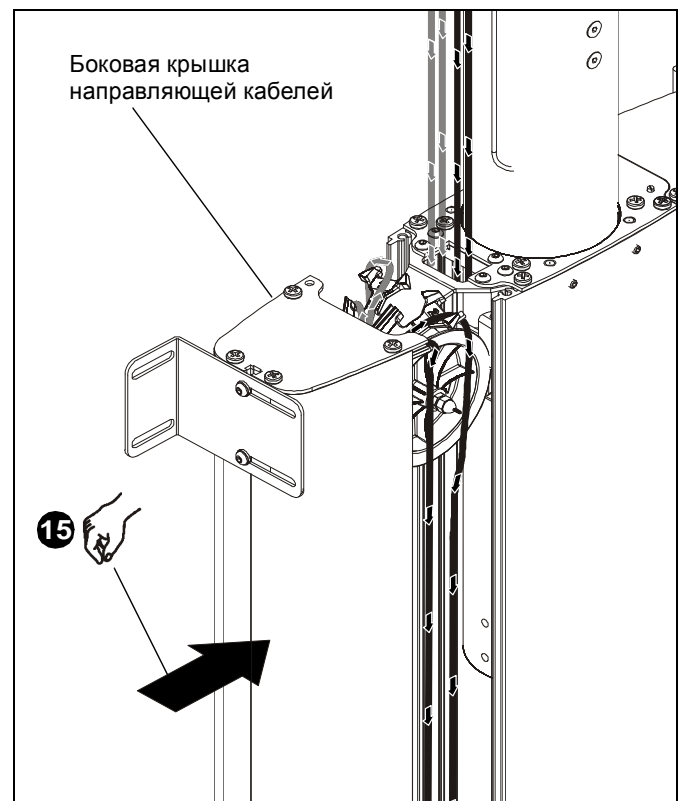


рис. 12

- Закрепите боковую крышку направляющей кабелей на креплении CM2 с помощью двух винтов (снятых на шаге 1). (см. рис. 13)

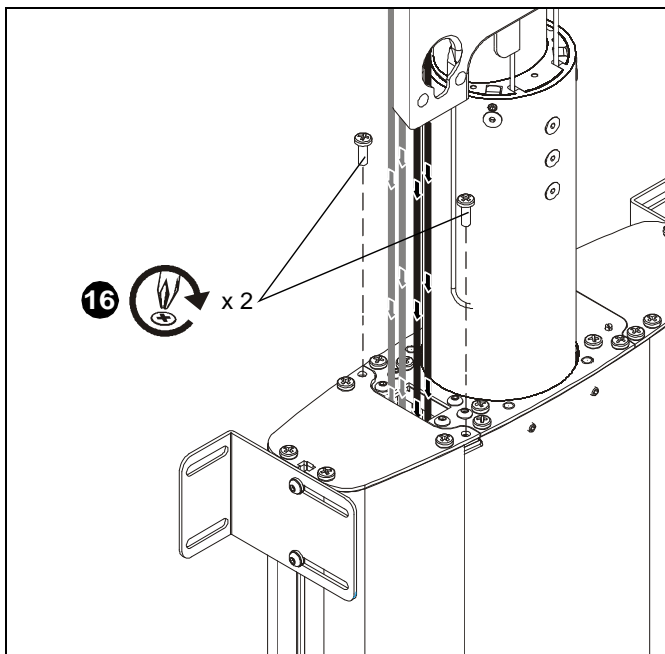


рис. 13

Установка кронштейна

Конструкция устройства CM2C40 предусматривает подвешивание на потолке или монтирование в существующих структурах каркасных стен. В следующих инструкциях по установке подразумевается, что перед установкой подобраны подходящие для монтажа структура и поверхность и правильно проложена силовая, сигнальная и вся необходимая проводка.

ВАЖНО! Ширина монтируемого на устройство CM2C40 образца составляет 19" (483 мм). При монтировании в стену с 16" стойками необходимо добавить дополнительные стойки с каждой стороны для установки кронштейна.

⚠ ПРЕДУПРЕЖДЕНИЕ. НЕПРАВИЛЬНАЯ УСТАНОВКА МОЖЕТ СТАТЬ ПРИЧИНОЙ ПАДЕНИЯ ПОДЪЕМНОГО УСТРОЙСТВА И ПОВЛЕЧЬ СЕРЬЕЗНЫЕ ТРАВМЫ ИЛИ ПОВРЕЖДЕНИЯ ОБОРУДОВАНИЯ! Обязанность человека, выполняющего установку, убедиться, что элементы опорной поверхности, на которую устанавливается устройство подъема, способны выдержать четырехкратный суммарный вес оборудования.

Порядок установки устройства CM2C40:

- Если монитор установлен и провода проложены, отсоедините провода от монитора и снимите монитор.
- Снимите кронштейн с деревянных стоек, которые использовались во время подготовки и регулировки кронштейна, и поверните его, как показано на рисунке ниже.

⚠ ПРЕДУПРЕЖДЕНИЕ. ВЕС ПРИ МОНТАЖЕ ПРЕВЫШАЕТ 18,1 КГ! Всегда задействуйте двух человек и используйте подходящие способы подъема при установке или регулировке положения кронштейна.

- Выровняйте монтажные отверстия на опорной панели со стойками, убедившись, что монтажные отверстия расположены по центру стоек.
- Выровняйте положение кронштейна по вертикали и горизонтали. (см. рис. 15)

ПРИМЕЧАНИЕ. Конструкция кронштейна предполагает перемещение на 1/2" дюйма после соприкосновения нижней крышки с объектом при поднятии. Если необходимо использовать эту функцию, при размещении кронштейна необходимо предусмотреть это перемещение на 1/2" дюйма и установить упорную планку вдоль верхнего края отверстия в потолке. Упорная планка должна располагаться по всей ширине переднего и заднего отверстий и выступать из отверстия на минимальное расстояние S дюйма. См. раздел «Регулировка положения нижней крышки» на стр. 14. (см. рис. 27)

- Ослабьте четыре винта, закрепляющих боковые монтажные кронштейны на кронштейне, и отрегулируйте положение боковых монтажных кронштейнов, чтобы они были правильно расположены по отношению к стойкам. (см. рис. 16)
- Затяните четыре винта, чтобы зафиксировать положение боковых монтажных кронштейнов. (см. рис. 14)

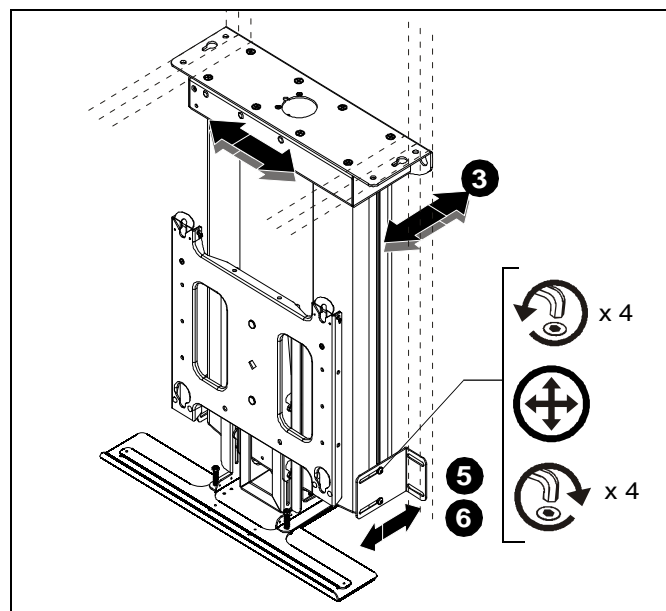


рис. 14

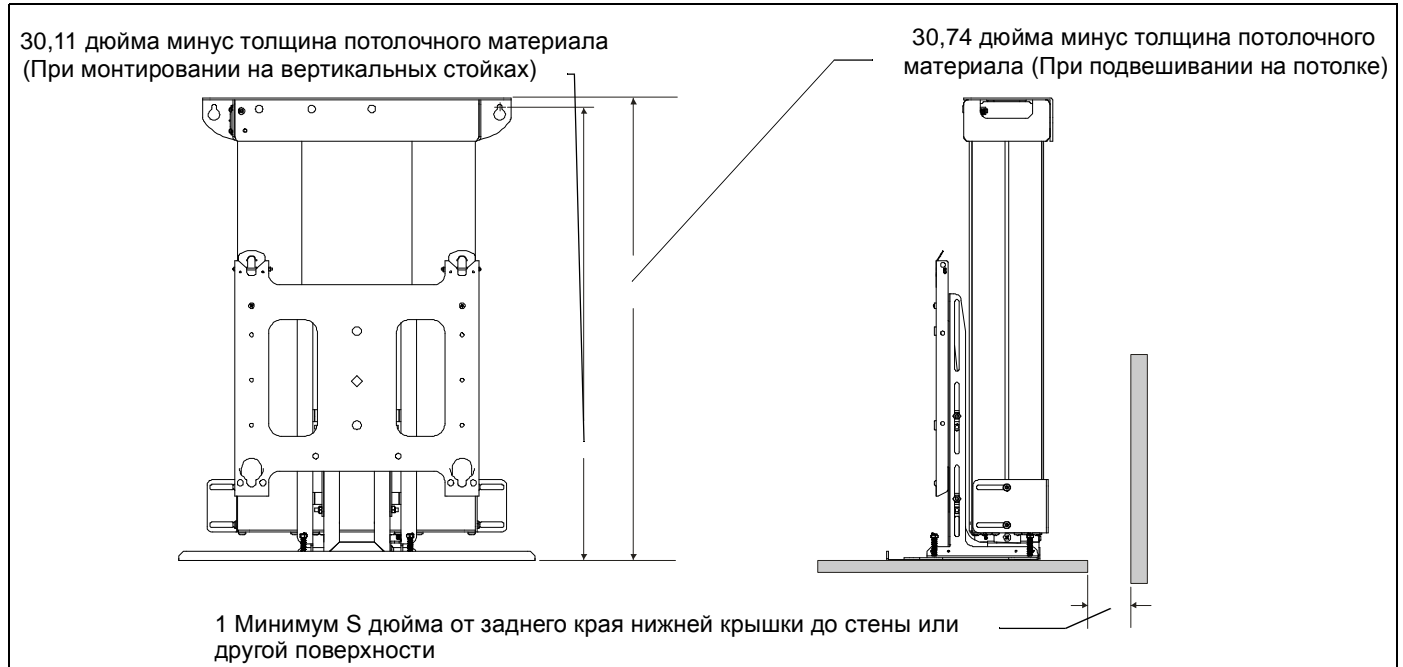


рис. 15

7. При использовании размеров, указанных на рис. 15, отметьте расположения монтажных отверстий опорной панели. (см. рис. 16)
8. Просверлите направляющие отверстия в отмеченных местах.
9. Отметьте расположение четырех монтажных отверстий боковых кронштейнов (если используются). (см. рис. 16)
10. Просверлите четыре направляющие отверстия в отмеченных местах.
11. Закрепите опорную панель на структуре с использованием двух (при монтаже в стене) или шести (при монтаже на потолке) плоских шайб 5/16" и двух или шести болтов 5/16" x 2 1/2". (см. рис. 16)
12. Закрепите боковые кронштейны (если используются) на стойках с использованием четырех плоских шайб 5/16" и четырех болтов 5/16" x 2 1/2". (см. рис. 16)

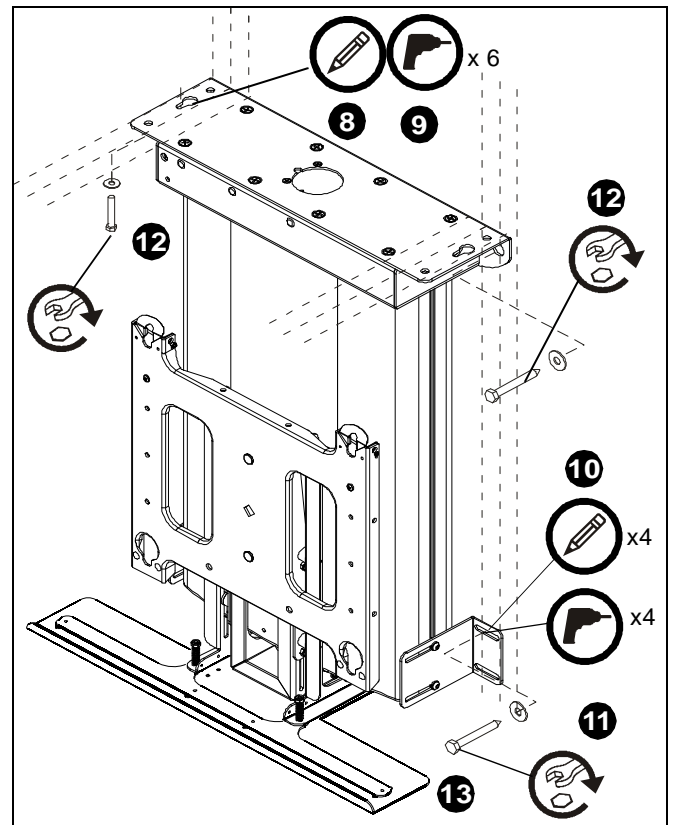


рис. 16

13. Подключите шнур питания кронштейна к электрической розетке.

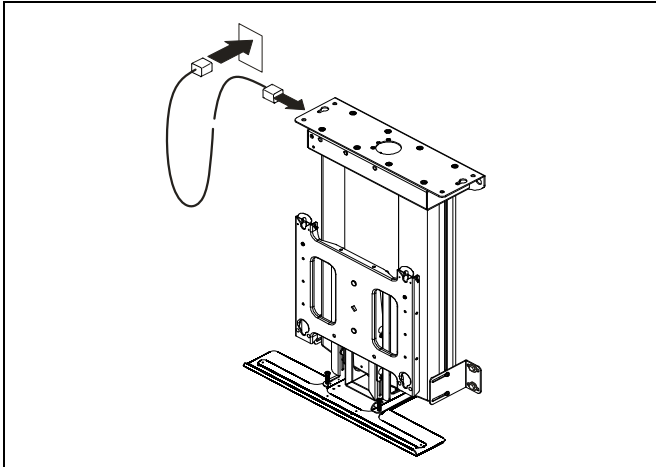


рис. 17

Установка монитора

⚠ ПРЕДУПРЕЖДЕНИЕ. ПРЕВЫШЕНИЕ МАКСИМАЛЬНОЙ НЕСУЩЕЙ СПОСОБНОСТИ МОЖЕТ ПРИВЕСТИ К ПОЛУЧЕНИЮ СЕРЬЕЗНЫХ ТРАВМ ИЛИ ПОВРЕЖДЕНИЮ ОБОРУДОВАНИЯ! Человек, выполняющий установку, должен убедиться, что суммарная нагрузка на кронштейн не превышает максимальную несущую способность устройства CM2C40, равную 86,18 кг (190 фунтам).

⚠ ПРЕДУПРЕЖДЕНИЕ. ОПАСНОСТЬ ЗАЩЕМЛЕНИЯ! ПРИ ПОПАДАНИИ ПАЛЬЦЕВ ИЛИ РУК МЕЖДУ ДВИЖУЩИМИСЯ ЧАСТЯМИ МОГУТ БЫТЬ ПОЛУЧЕНЫ СЕРЬЕЗНЫЕ ТРАВМЫ! Во время эксплуатации держите руки как можно дальше от кронштейна.

⚠ ПРЕДУПРЕЖДЕНИЕ. НЕПРАВИЛЬНАЯ УСТАНОВКА МОЖЕТ СТАТЬ ПРИЧИНОЙ ПАДЕНИЯ КРОНШТЕЙНА И ПОВЛЕЧЬ СЕРЬЕЗНЫЕ ТРАВМЫ ИЛИ ПОВРЕЖДЕНИЯ ОБОРУДОВАНИЯ! Вес монитора может превышать 18,1 кг (40 фунтов). ВСЕГДА задействуйте двух человек и используйте подходящие способы подъема при установке монитора.

⚠ ПРЕДУПРЕЖДЕНИЕ. НЕПРАВИЛЬНАЯ УСТАНОВКА МОЖЕТ СТАТЬ ПРИЧИНОЙ ПАДЕНИЯ КРОНШТЕЙНА И ПОВЛЕЧЬ СЕРЬЕЗНЫЕ ТРАВМЫ ИЛИ ПОВРЕЖДЕНИЯ ОБОРУДОВАНИЯ! Убедитесь, что монтажные крепежи на мониторе надежно закреплены в монтажных отверстиях на лицевой панели.

Порядок установки монитора:

1. Опустите устройство подъема с помощью входящего в комплект поставки пульта ДУ.
2. Поддерживая монитор с двух сторон, выровняйте положение четырех монтажных крепежей на мониторе или соединительный кронштейн с четырьмя монтажными отверстиями на лицевой панели. (см. рис. 18) и (см. рис. 19)
3. Опустите монитор на место до щелчка, чтобы

убедиться, что поверхность с выемкой монтажных крепежей правильно установлена в нижней части монтажных отверстий и сработал механизм защелкивания. (см. рис. 18) и (см. рис. 19)

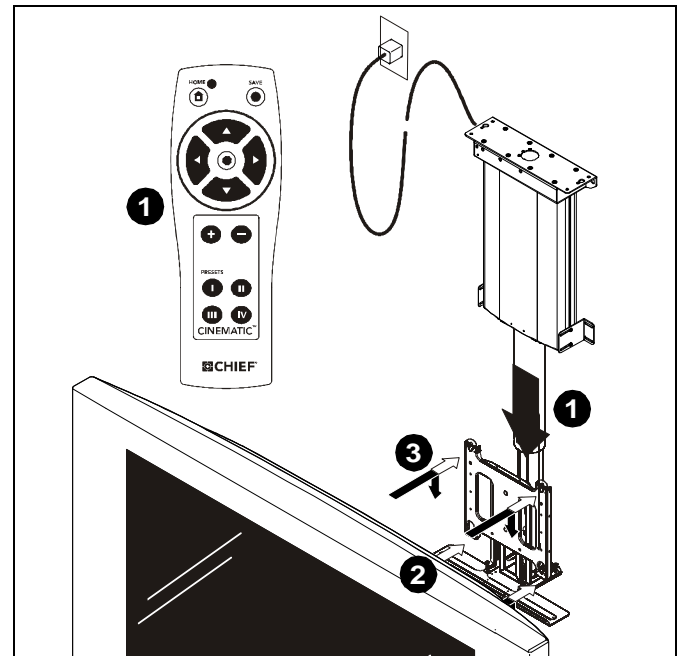


рис. 18

ПРИМЕЧАНИЕ. Отверстия на лицевой панели предназначены для использования висячего замка или при необходимости подобного фиксирующего устройства. Кроме того, можно открутить болт и гайку из верхних отверстий и поместить в нижние отверстия, чтобы они выступали в качестве фиксирующего устройства в течение более длительного времени. (см. рис. 19)

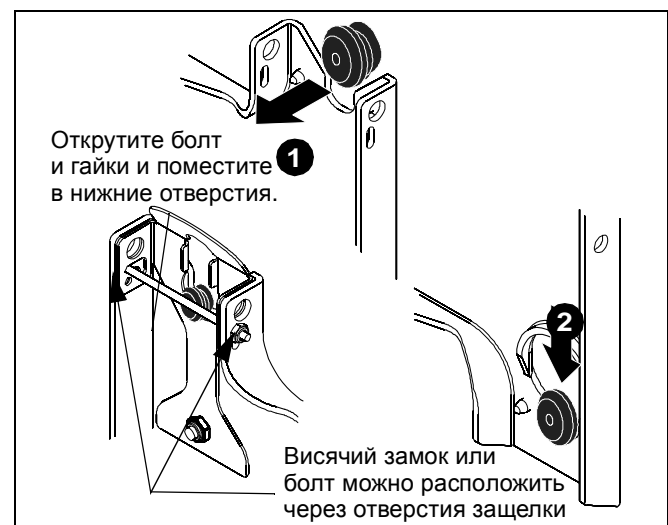


рис. 19

4. Ослабьте четыре гайки, закрепляющие левый и правый кронштейны регулировки нижней крышки на монтажном кронштейне лицевой панели. (см. рис. 20)

5. Сдвиньте кронштейны регулировки нижней крышки вверх или вниз, чтобы выступ на кронштейне располагался не ниже по отношению к нижней части монитора. (см. рис. 21)
6. Затяните четыре гайки, чтобы закрепить кронштейн на месте. (см. рис. 20)



ПРЕДУПРЕЖДЕНИЕ. НЕПРАВИЛЬНАЯ УСТАНОВКА МОЖЕТ ПРИВЕСТИ К СЕРЬЕЗНЫМ ТРАВМАМ ИЛИ ПОВРЕЖДЕНИЮ ОБОРУДОВАНИЯ! Убедитесь, что все четыре гайки затянуты, перед продолжением установки!

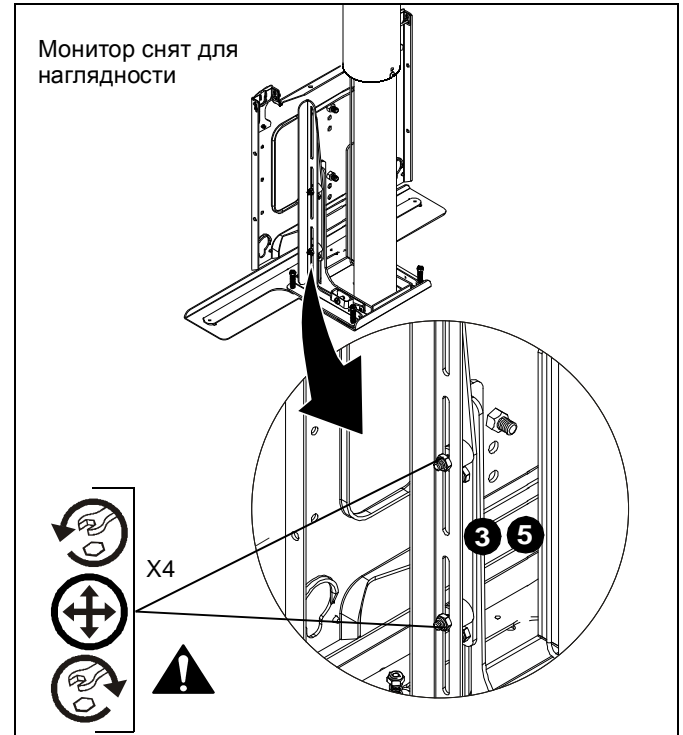


рис. 20

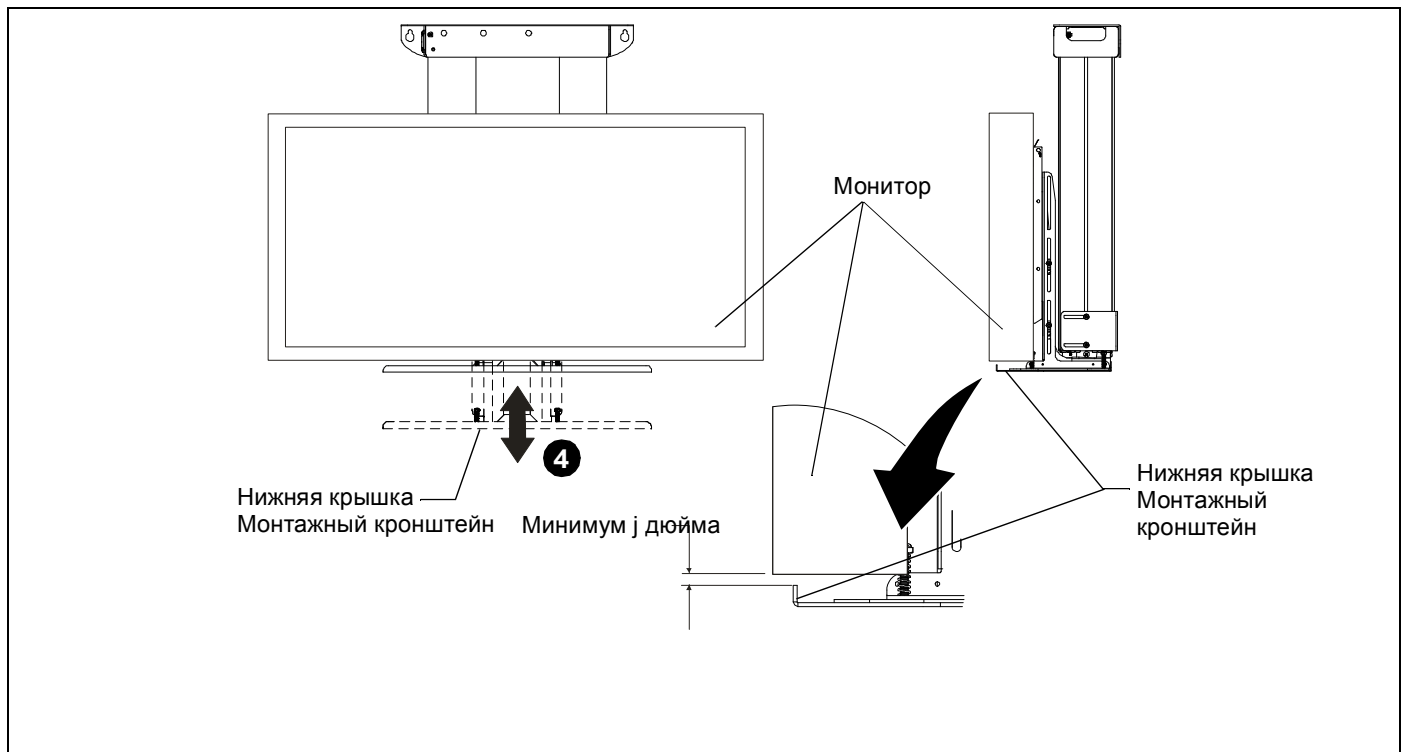


рис. 21

Установка нижней крышки

После регулировки устройства CM2C40 для установки монитора и установки монитора необходимо отрегулировать высоту нижней крышки для правильной установки на потолке.



ПРЕДУПРЕЖДЕНИЕ. НЕПРАВИЛЬНАЯ УСТАНОВКА МОЖЕТ ПРИВЕСТИ К СЕРЬЕЗНЫМ ТРАВМАМ ИЛИ ПОВРЕЖДЕНИЮ ОБОРУДОВАНИЯ! Вес нижней крышки НЕ ДОЛЖЕН превышать 11,34 кг.

Порядок установки нижней крышки:

1. Измерьте расстояние от низа монтажной плиты нижней крышки до верхнего края отверстия в потолке и запишите размеры для использования в дальнейшем.

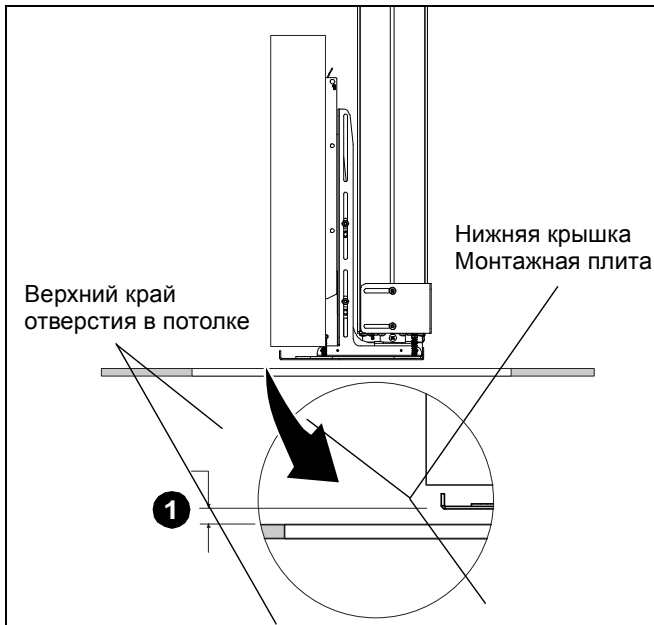


рис. 22

2. Если расстояние, определенное в действии 1, выше, меньше или равно толщине устанавливаемой нижней крышки, перед продолжением необходимо настроить ограничения перемещения монитора, чтобы избежать соударения нижней крышки и потолка. См. действие 6 ниже.
3. Если расстояние, определенное в действии 1, выше, больше толщины устанавливаемой нижней крышки, опустите монитор с помощью пульта ДУ, чтобы две контррейки, закрепляющие правый и левый кронштейны регулировки крышки, были доступны. (см. рис. 23)

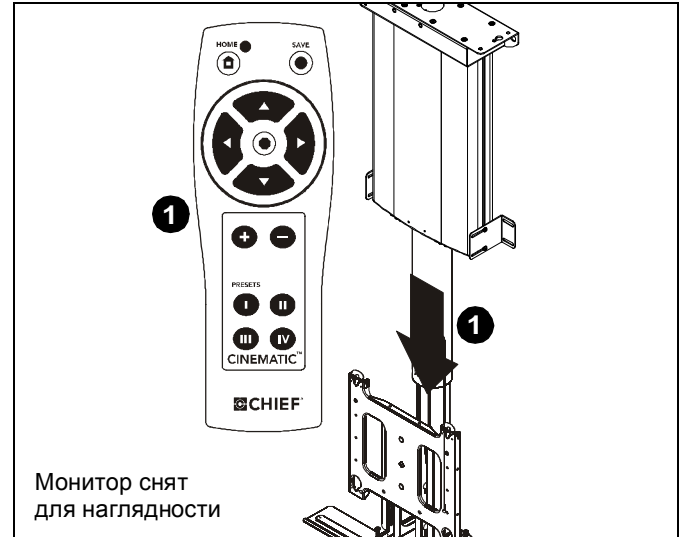


рис. 23

4. Подгоните размер нижней крышки, оставив расстояние между крышкой и отверстием в потолке, и просверлите 6 сквозных отверстий, используя размеры и образец на рисунке ниже. (см. рис. 24)

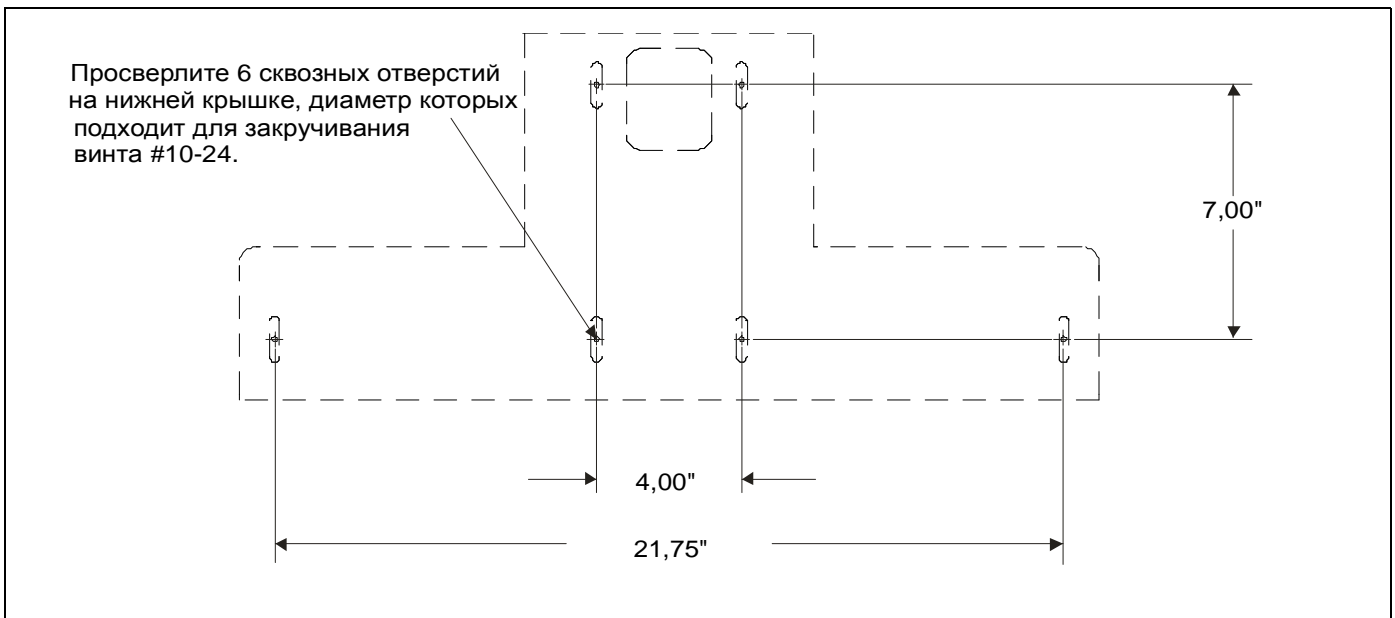


рис. 24

5. Закрепите нижнюю крышку на монтажной панели с помощью винтов #10-24 длиной минимум 1 дюйм плюс толщина потолочного материала (не входят в комплект поставки). (см. рис. 25)

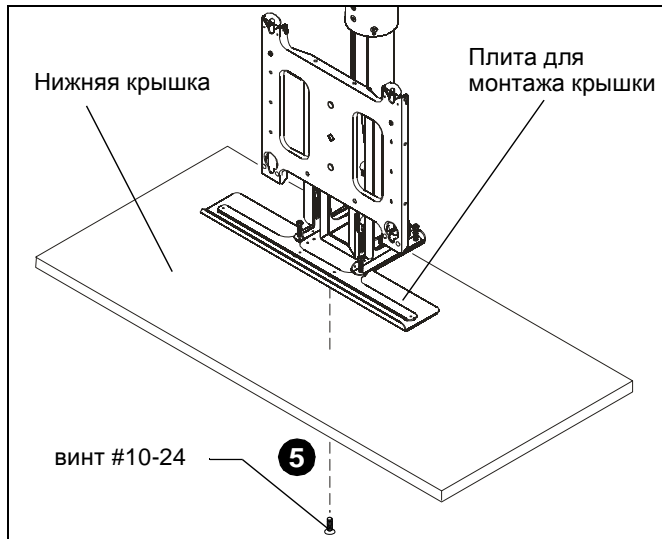


рис. 25

Регулировка положения нижней крышки

В устройстве CM2C40 предусмотрена возможность настройки ограничений выдвижения монитора вперед и назад. При поставке в устройстве CM2C40 настроены максимальные возможности перемещения вперед и назад.

ПРИМЕЧАНИЕ. Конструкция кронштейна предполагает перемещение на 1/2" дюйма после соприкосновения нижней крышки с объектом при поднятии. Если необходимо использовать эту функцию, при установке нижней крышки следует установить упорную планку вдоль верхнего края отверстия в потолке. Упорная планка должна располагаться по всей ширине переднего и заднего отверстий и выступать из отверстия на минимальное расстояние 5 дюйма.

Во время установки кронштейна необходимо предусмотреть это перемещение на 5 дюйма (см. стр. 10).

В верхней части с правой стороны кронштейна предусмотрены винты регулировки перемещения монитора вверх и вниз. (см. рис. 27)

ПРИМЕЧАНИЕ. 10 полных поворотов винтов регулировки перемещения вверх или вниз эквивалентны перемещению монитора на 1 дюйм.

6. При повороте винта регулировки выдвижения по часовой стрелке увеличивается расстояние перемещения монитора вниз. При повороте винта регулировки выдвижения против часовой стрелки уменьшается расстояние перемещения монитора вниз.

7. При повороте винта регулировки обратного перемещения по часовой стрелке уменьшается расстояние перемещения монитора вверх. При повороте винта регулировки обратного перемещения против часовой стрелки увеличивается расстояние перемещения монитора вниз.
8. Отрегулируйте перемещение, чтобы нижняя крышка находилась на уровне потолка. (см. рис. 26) и (см. рис. 27)

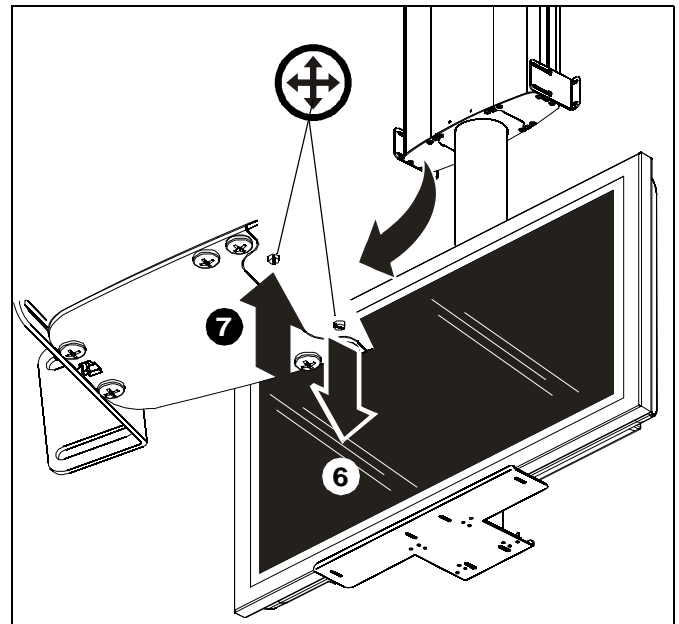


рис. 26

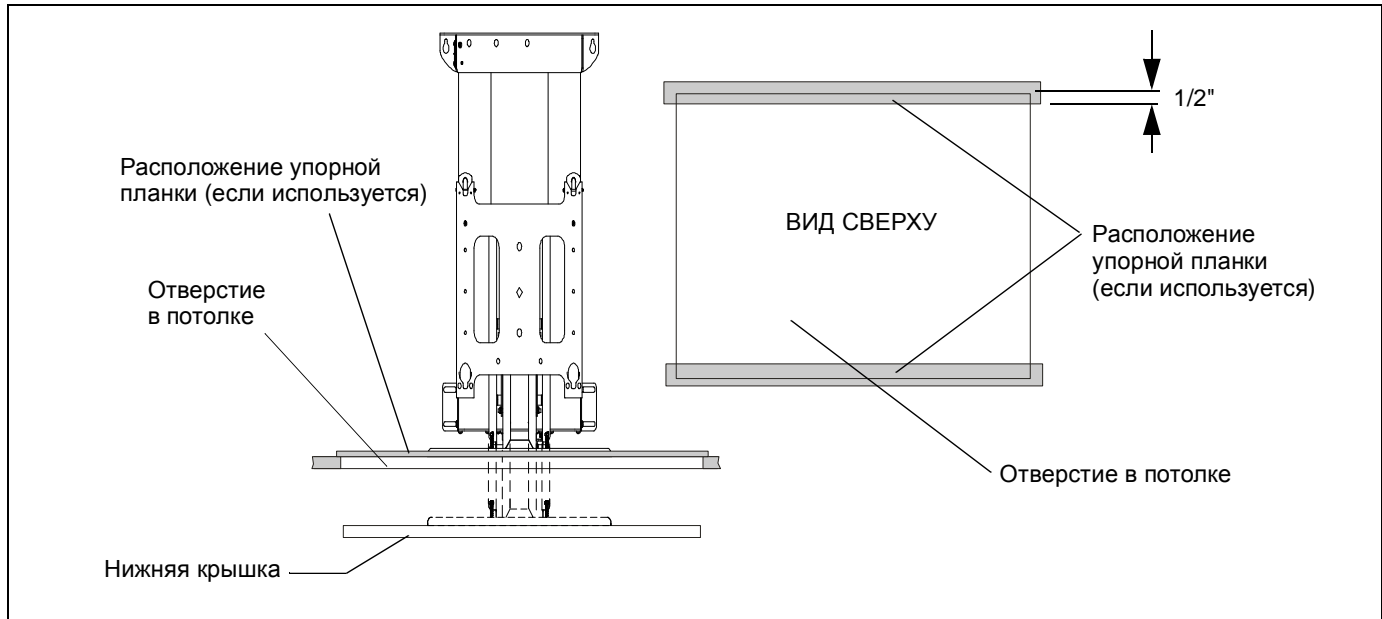


рис. 27

Регулировка опор стоек устройства подъема

Верхняя и нижняя стойки устройства подъема выровнены с помощью двух опор: верхней и нижней.

Регулировка опор осуществляется изготовителем, однако иногда могут требоваться небольшие корректировки плотности установки опор, чтобы устранить излишнее перемещение стоек или шум.

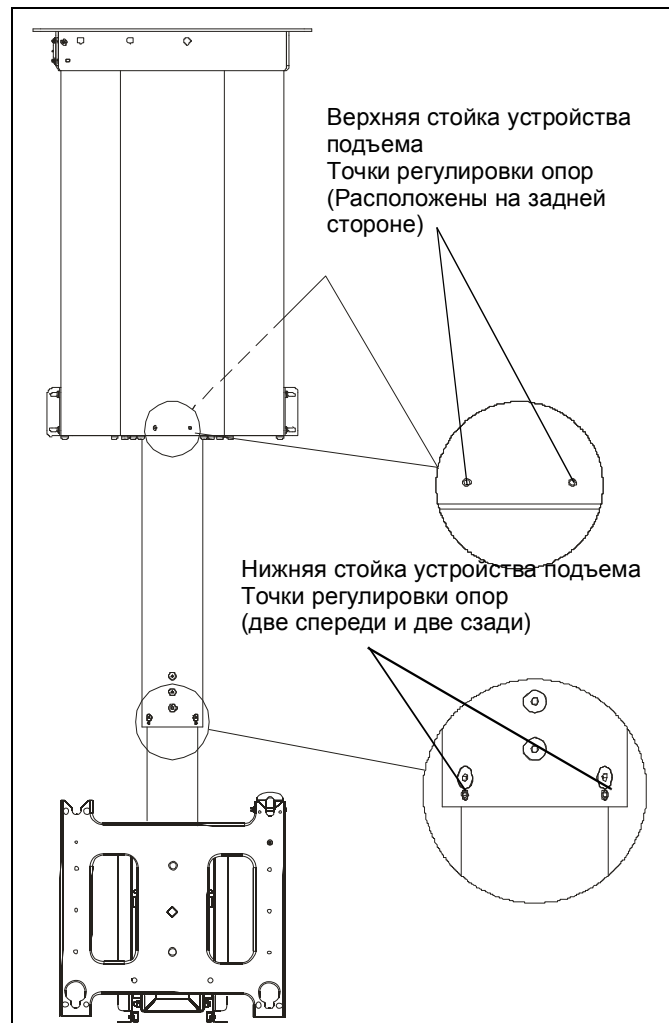


ПРЕДУПРЕЖДЕНИЕ. ЧРЕЗМЕРНОЕ ЗАТЯГИВАНИЕ МОЖЕТ ПРИВЕСТИ К ПОВРЕЖДЕНИЮ ОБОРУДОВАНИЯ!
НЕ ВЫПОЛНЯЙТЕ излишнюю регулировку!

ВАЖНО! Следует установить монитор на кронштейн перед выполнением регулировки опор стоек устройства подъема!

Порядок регулировки опор стоек устройства подъема:

1. Определите, какую стойку устройства подъема необходимо отрегулировать: верхнюю или нижнюю.
2. С помощью ключа с шестигранной головкой, немного повернув на одинаковый угол, ослабьте или затяните винты регулировки.
3. Полностью поднимите устройство подъема вверх и вниз, чтобы проверить правильность перемещения стоек устройства подъема.
4. Повторяйте действия с 1 по 3, пока не будет настроено необходимое перемещение стоек устройства подъема.



Расширенные возможности программирования

В устройстве CM2C40 предусмотрены расширенные возможности программирования для обеспечения совместимости кронштейна с другими устройствами, такими как пульт дистанционного управления Universal Remote или другие устройства управления, через последовательное подключение.

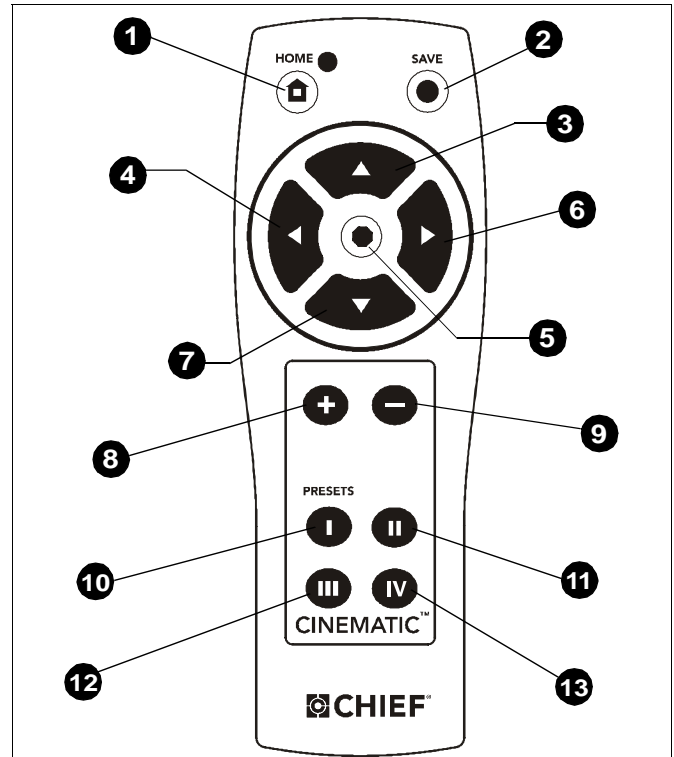
Настройка или изменение конфигурации устройства CM2C40 выполняется с помощью пульта дистанционного управления, поставляемого с кронштейном.

Рабочий диапазон пульта дистанционного управления составляет от 6 и до 9 м (20-30 футов). Работа пульта осуществляется от 2 батарей типа AAA, расположенных на задней части пульта ДУ.

ПРИМЕЧАНИЕ. Если необходимо управлять устройством за пределами рабочего диапазона пульта ДУ, можно воспользоваться соединенным проводами переключателем или аналогичным устройством. См. раздел *Замыкания «сухих» контактов* (см. рис. 31)

В следующей таблице и на рисунке определены функции кронштейна и соответствующие кнопки на пульте ДУ.

Обычный режим эксплуатации



КЛА-ВИША	ФУНКЦИЯ	ТРЕБУЕМОЕ ДЕЙСТВИЕ
1	НЕ ИСПОЛЬЗУЕТСЯ	НЕ ИСПОЛЬЗУЕТСЯ
2	НЕ ИСПОЛЬЗУЕТСЯ	НЕ ИСПОЛЬЗУЕТСЯ
3	ПРОДЛИТЬ СХЕМА	НАЖМИТЕ
4	НЕ ИСПОЛЬЗУЕТСЯ	НЕ ИСПОЛЬЗУЕТСЯ
5	ОСТАНОВКА	НАЖМИТЕ
6	НЕ ИСПОЛЬЗУЕТСЯ	НЕ ИСПОЛЬЗУЕТСЯ
7	ОТЗЫВАТЬ СХЕМА	НАЖМИТЕ
8	НЕ ИСПОЛЬЗУЕТСЯ	НЕ ИСПОЛЬЗУЕТСЯ
9	НЕ ИСПОЛЬЗУЕТСЯ	НЕ ИСПОЛЬЗУЕТСЯ
10	НЕ ИСПОЛЬЗУЕТСЯ	НЕ ИСПОЛЬЗУЕТСЯ
11	НЕ ИСПОЛЬЗУЕТСЯ	НЕ ИСПОЛЬЗУЕТСЯ
12	НЕ ИСПОЛЬЗУЕТСЯ	НЕ ИСПОЛЬЗУЕТСЯ
13	НЕ ИСПОЛЬЗУЕТСЯ	НЕ ИСПОЛЬЗУЕТСЯ

рис. 28

Программирование IR-SE15

Функции управления IR-SE15:

- Несущая частота: 38 кГц
- Протокол: NEC – полное повторение
- Коды системы: 6E (по умолчанию) – несколько кодов можно выбрать нажатием клавиш (см. ниже)

Table 1: коды управления IR-SE15

НОМЕР КЛАВИШИ	НАЗВАНИЕ КЛАВИШИ	ШЕСТНАДЦАТЕРИЧНЫЙ КОД
1	НЕ ИСПОЛЬЗУЕТСЯ	НЕ ИСПОЛЬЗУЕТСЯ
2	НЕ ИСПОЛЬЗУЕТСЯ	НЕ ИСПОЛЬЗУЕТСЯ
3	ПРОДЛИТЬ СХЕМА	07
4	НЕ ИСПОЛЬЗУЕТСЯ	НЕ ИСПОЛЬЗУЕТСЯ
5	ОСТАНОВКА	0A
6	НЕ ИСПОЛЬЗУЕТСЯ	НЕ ИСПОЛЬЗУЕТСЯ
7	ОТЗЫВАТЬ СХЕМА	0D
8	НЕ ИСПОЛЬЗУЕТСЯ	НЕ ИСПОЛЬЗУЕТСЯ
10	НЕ ИСПОЛЬЗУЕТСЯ	НЕ ИСПОЛЬЗУЕТСЯ
12	НЕ ИСПОЛЬЗУЕТСЯ	НЕ ИСПОЛЬЗУЕТСЯ
13	НЕ ИСПОЛЬЗУЕТСЯ	НЕ ИСПОЛЬЗУЕТСЯ

Порядок изменения кода системы:

1. Нажмите и отпустите клавишу 3 + 7 (вход в режим установки).
2. Нажмите и отпустите клавишу 10.
3. Нажмите и отпустите клавишу 11 – индикатор мигнет дважды <кратко>.
4. Выберите код системы – см. таблицу ниже.
5. Нажмите и отпустите клавишу 2 – индикатор мигнет 4 раза <кратко> (выход из режима установки).

Table 2:

КОД СИСТЕМЫ	НАЖМИТЕ + ОТПУСТИТЕ
6E (по умолчанию)	10, 10
E1	10, 13
E2	11, 11
E3	11, 12
E4	11, 13
E5	12, 12
E6	12, 13
E7	13, 13

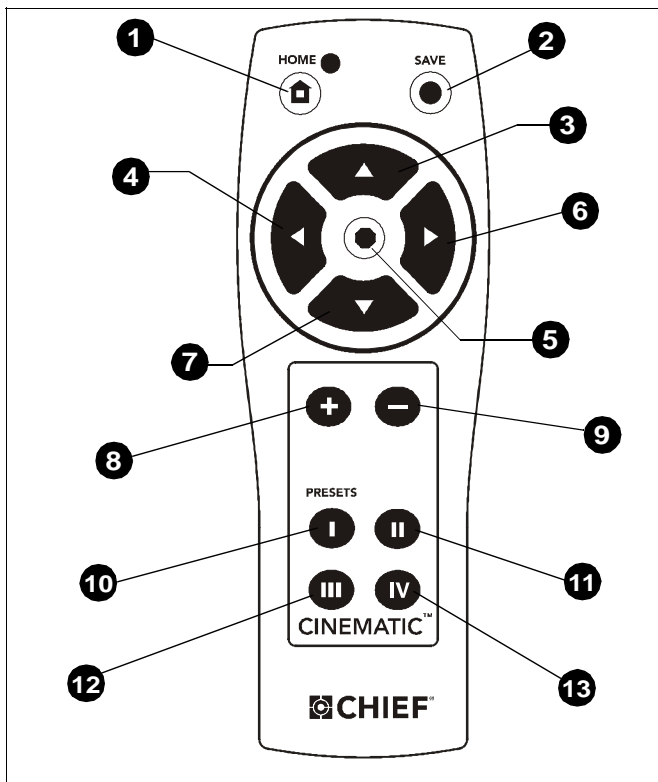


рис. 29

Последовательные передачи данных

ПРИМЕЧАНИЕ: Обратитесь к продавцу соответствующей автоматизированной системы для получения доступных драйверов и/или программного обеспечения для внешних устройств.

Примечания:

[PR] = ИД продукта (CM2 = 02)

[AD] = адрес (см. описание и таблицу адресов)

[CR] = возврат каретки ASCII

[CH] = контрольный код

[ST] = состояние (см. таблицу состояний)

Подключения необходимо выполнять к 9-контактному разъему следующим образом:

RS-485 REF	Контакт 7
RS-485 +	Контакт 9
RS-485 -	Контакт 8

Параметры связи, как указано в ANSI TIA/EIA-485-A: Описание

Скорость передачи данных в бодах:	9600
Длина данных:	8 бит
Четность:	Нет
Стоповый бит:	1
Управление потоками:	нет

КОМАНДНАЯ СТРОКА ПОСЛЕДОВАТЕЛЬНОГО УПРАВЛЕНИЯ

Начало сообщения (HEX)	Код изделия (HEX)	Адрес (HEX)	Команда (HEX)	Данные сообщения (HEX)	Код проверки (HEX)	Конец сообщения (HEX)
>	XX	XX	XX	XX	XX	[возврат каретки]

- **Код изделия** для CM2C40: **02**
- **Адрес** регулируется положением двухрядного переключателя
- **Основные команды**, доступные для CM2C40 в заводской конфигурации:
 - **03: Отмена перемещения** = >0500037D[возврат каретки]
 - **10: Выдвижение до предела** = >0500107B0D[возврат каретки]
 - **12: Втягивание до предела** = >0500127D0D[возврат каретки]
- **Данные сообщения** = Эти данные требуются для доступных команд:
 - **03:** Нет
 - **10:** Нет
 - **12:** Нет
- **Код проверки** вычисляется.

Более подробные данные можно получить из документа «Расширенное программирование» и с помощью калькулятора на веб-узле.

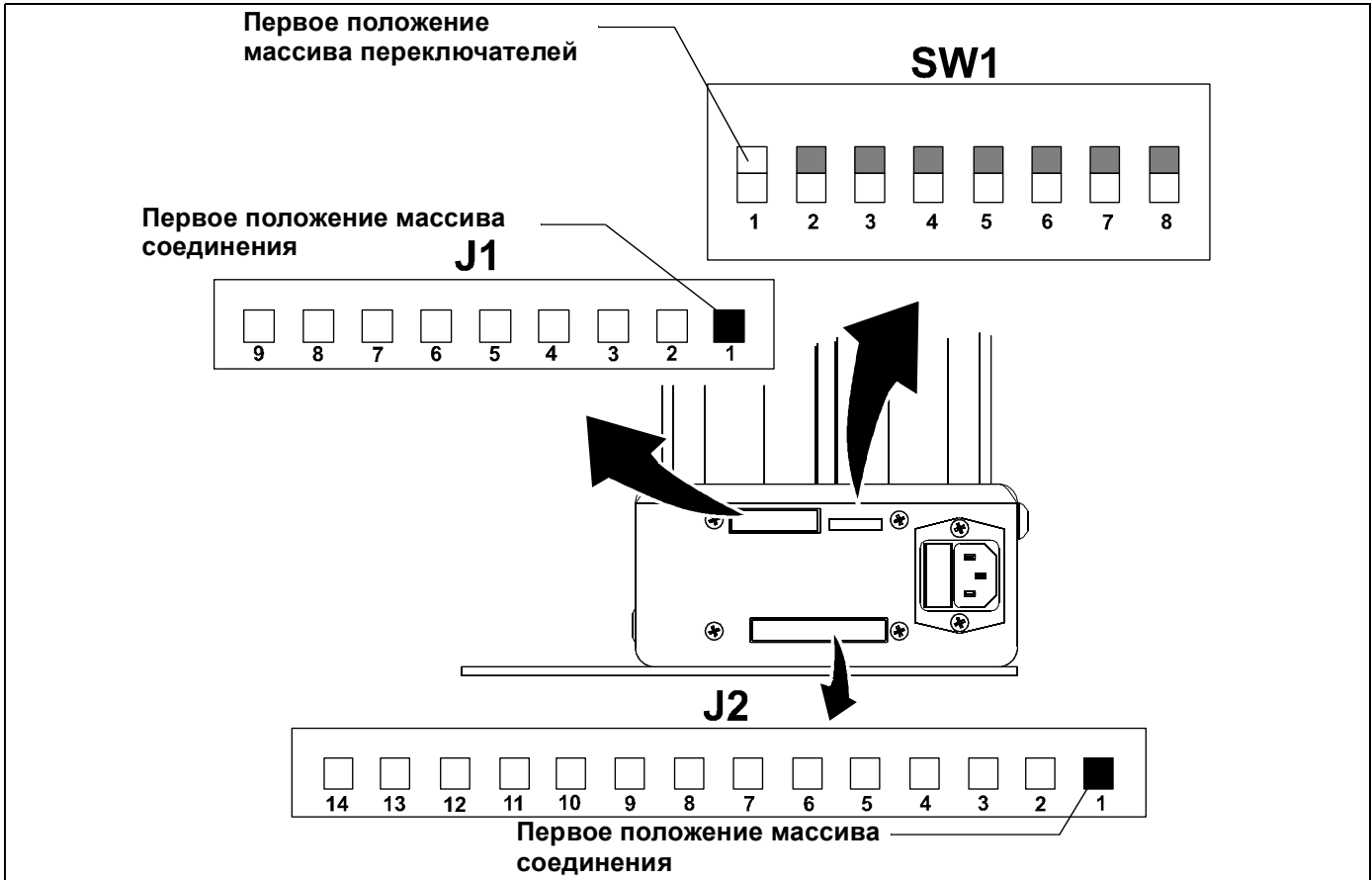


рис. 30

Сведения об оборудовании интерфейсной платы CM2C40

(см. рис. 30)

Замыкания «сухих» контактов

В этом устройстве предусмотрены выходы сухих контактов для осуществления установки связи системы или управления другими устройствами.

Порядок подключения внешних устройств в схему:

1. Подключите общий провод от переключателя к клемме 7. (см. рис. 31)
2. Подключите «верхний» провод от переключателя к клемме 5.
3. Подключите «нижний» провод от переключателя к клемме 6.

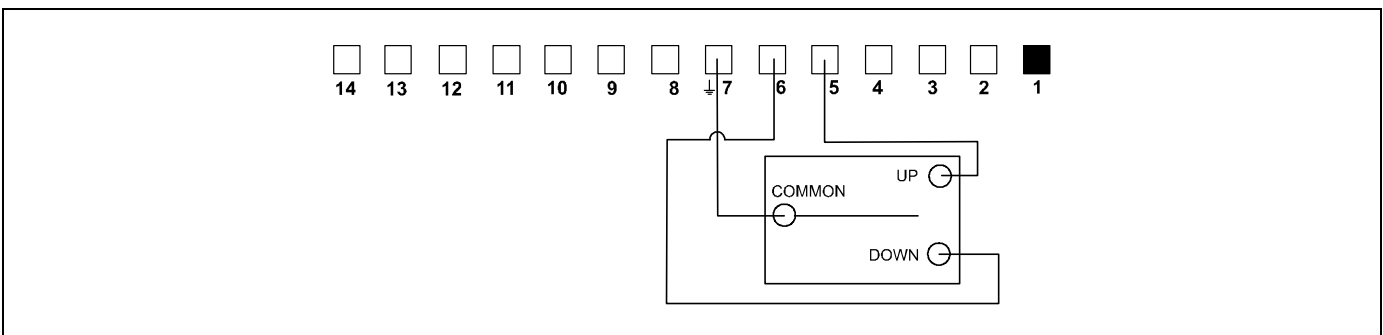


рис. 31

J1	
Контакт 1	Изолированный вход выдвижения/обратного перемещения (+)
Контакт 2	Изолированный вход выдвижения/обратного перемещения (-)
Контакт 3	Изолированный вход датчика напряжения (+)
Контакт 4	Изолированный вход датчика напряжения (-)
Контакт 5	Выход постоянного тока 24 В (макс. 150)
Контакт 6	Земля
Контакт 7	Опорный сигнал RS485
Контакт 8	RS485 (+)
Контакт 9	RS485 (-)

J2	
Контакт 1	Не используется
Контакт 2	Не используется
Контакт 3	Не используется
Контакт 4	Не используется
Контакт 5	Вход сигнала выдвижения
Контакт 6	Вход сигнала обратного перемещения
Контакт 7	Земля
Контакт 8	Вход ошибки выдвижения
Контакт 9	Вход ошибки обратного перемещения
Контакт 10	Земля
Контакт 11	Выход ограничения выдвижения
Контакт 12	Разъем для обратного сигнала ограничения выдвижения
Контакт 13	Выход ограничения обратного перемещения
Контакт 14	Разъем для обратного сигнала ограничения обратного перемещения

Другие варианты сухих контактов

Выдвижение или обратное перемещение с использованием одного переключателя

Контакты 1 и 2 на 9-контактном разъеме. (см. рис. 30) и (см. рис. 32)

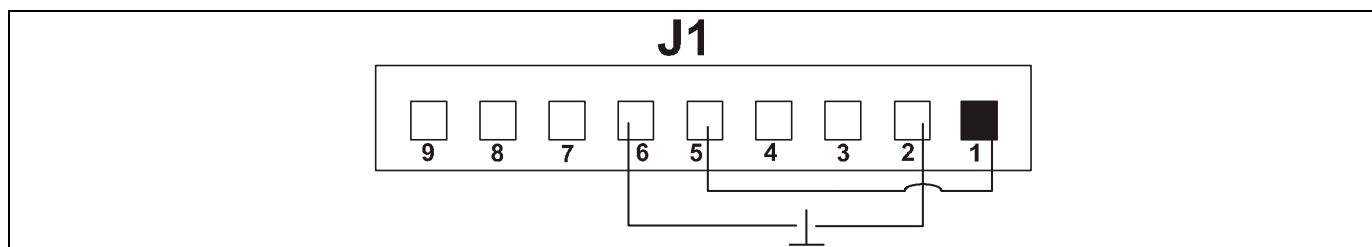


рис. 32

Датчик питания внешнего источника питания

Устройство выдвигает и остается в этом состоянии, если напряжение с внешнего источника питания подается на контакты 3 и 4 разъема J1. Если напряжение не подается, устройство перемещается в обратном направлении. (см. рис. 30) и (см. рис. 33)

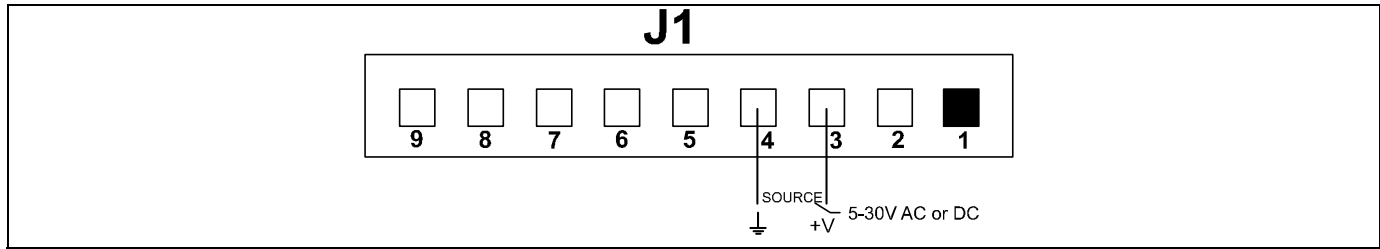


рис. 33

Внутренний источник питания с постоянным током 24 В и датчиком напряжения

Встроенный в устройство источник питания с постоянным током 24 В можно подключать для питания внешних устройств с помощью контактов 5 и 6 разъема J1.

ПРИМЕЧАНИЕ. С помощью этого входа может выполняться полный цикл перемещения устройства ВВЕРХ/ВНИЗ. Все остальные входы, за исключением входов ошибок, недоступны до завершения выполнения цикла. (см. рис. 30) и (см. рис. 34)

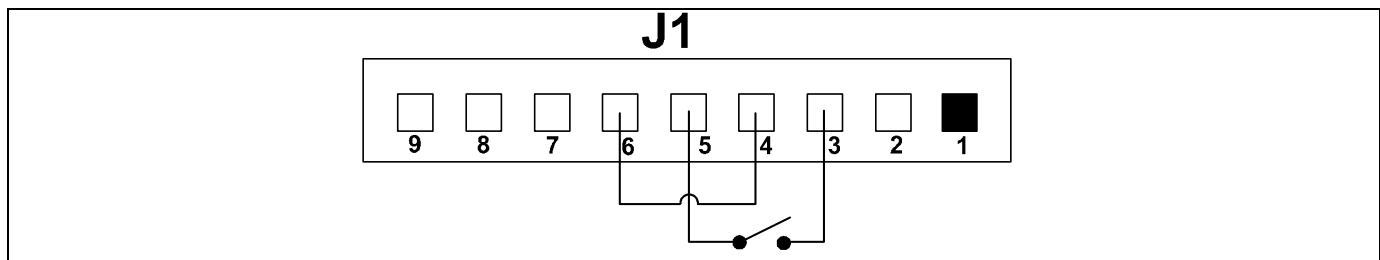


рис. 34

Вход ошибки выдвигания

ПРИМЕЧАНИЕ. Устройства поставляются с нормально разомкнутыми контактами ошибки. Чтобы настроить в устройстве ответ на нормально замкнутые контакты ошибки, обратитесь к представителю главной службы технической поддержки по телефону 1-800-582-6480 или на веб-сайте www.chiefmfg.com.

Когда устройство получает сигнал об ошибке перемещения во время выдвигания, оно немедленно останавливается и начинает движение в обратном направлении. (см. рис. 30) и (см. рис. 35)

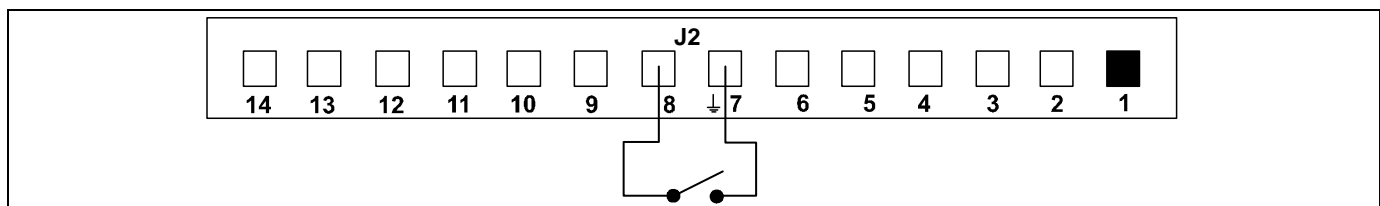


рис. 35

Вход ошибки обратного перемещения

ПРИМЕЧАНИЕ. Устройства поставляются с нормально разомкнутыми контактами ошибки. Чтобы настроить в устройстве ответ на нормально замкнутые контакты ошибки, обратитесь к представителю главной службы технической поддержки по телефону 1-800-582-6480 или на веб-сайте www.chiefmfg.com.

Когда устройство получает сигнал об ошибке перемещения во время обратного перемещения, оно немедленно останавливается и начинает движение в обратном направлении. (см. рис. 30) и (см. рис. 36)

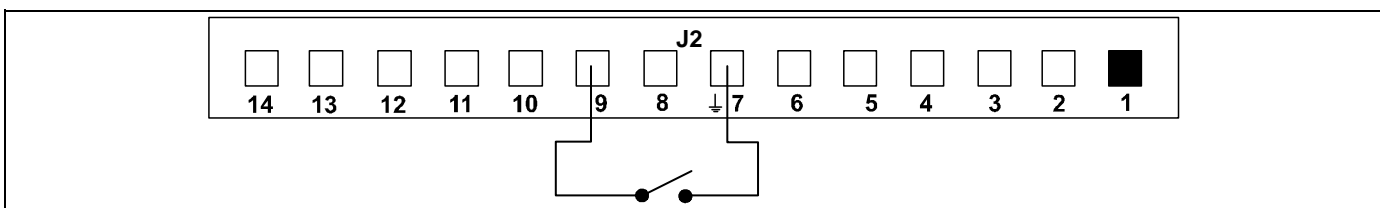


рис. 36

Возможность ограничения выдвижения

Внутренний набор сухих контактов закрыт, когда устройство полностью выдвинуто.

Максимально допустимая мощность включения или выключения контактов: 30 В переменного или постоянного тока макс. 1 А. (см. рис. 30) и (см. рис. 37)

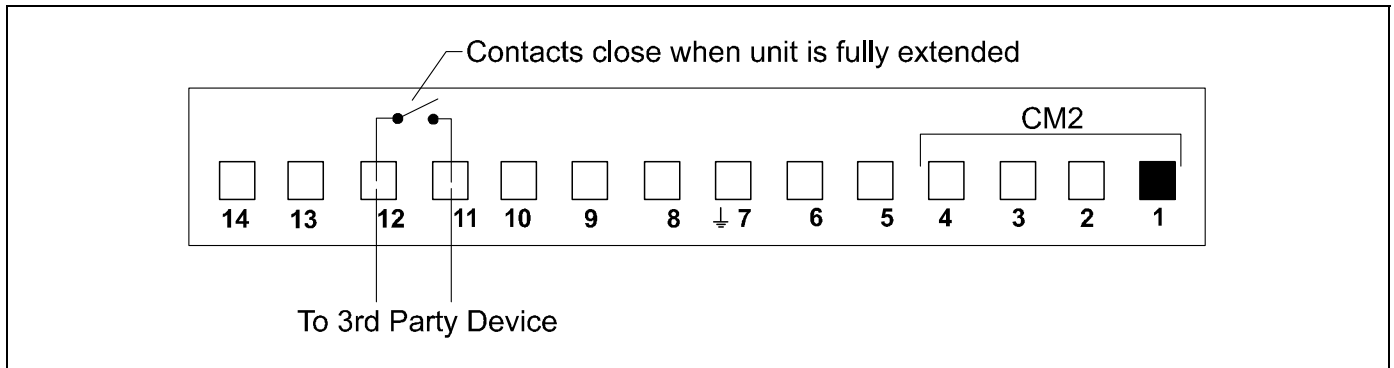


рис. 37

Вариант ограничения обратного движения

Внутренний набор сухих контактов закрыт, когда устройство полностью убрано.

Максимально допустимая мощность включения или выключения контактов: 30 В переменного или постоянного тока макс. 1 А. (см. рис. 30) и (см. рис. 38)

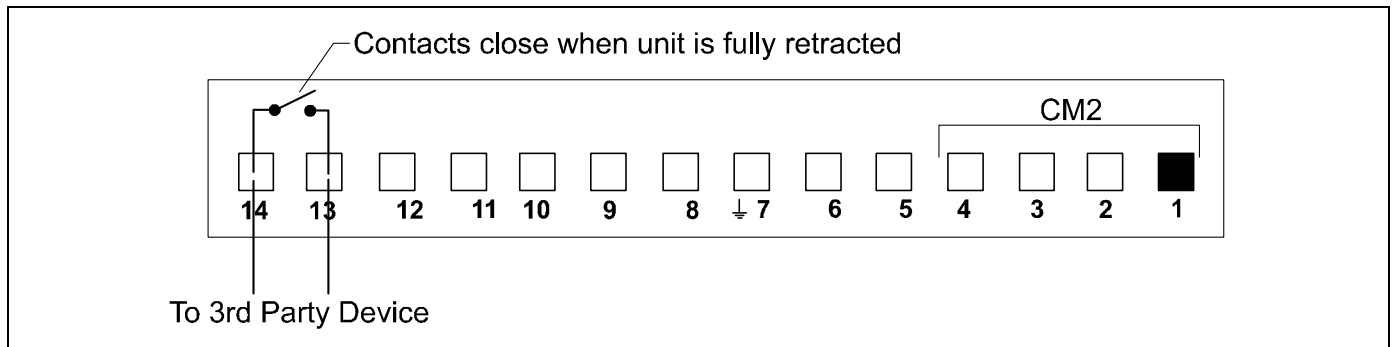


рис. 38

ПРИМЕЧАНИЕ. Одновременно можно использовать несколько функций управления, за исключением функции «Датчик напряжения».

Пример. Пульт ДУ или устройство управления с кнопкой мгновенного выполнения, подключенное через последовательный порт, для обслуживания и настенный переключатель для пошагового перемещения вверх или вниз для управления работой.

ВАЖНО! При использовании нескольких возможностей управления убедитесь, что ВСЕ контакты могут соединяться мгновенно и являются нормально разомкнутыми. Назначения разъемов и переключателей

При поставке с завода все DIP-переключатели находятся в выключенном положении.

Назначения разъемов и переключателей

При поставке с завода все DIP-переключатели находятся в выключенном положении.

SW1	
Переключатель 1	ИК
Переключатель 2	ИК
Переключатель 3	ИК
Переключатель 4	Не используется
Переключатель 5	Не используется
Переключатель 6	Адрес 485
Переключатель 7	Адрес 485
Переключатель 8	Адрес 485

Логика выбора кода ИК-системы			
Параметры переключателей (переключатели 1-3)			Код ИК-системы
Выбор 2	Выбор 1	Выбор 0	
ВЫКЛ.	ВЫКЛ.	ВЫКЛ.	6E
ВЫКЛ.	ВЫКЛ.	ВКЛ.	E1
ВЫКЛ.	ВКЛ.	ВЫКЛ.	E2
ВЫКЛ.	ВКЛ.	ВКЛ.	E3
ВКЛ.	ВЫКЛ.	ВЫКЛ.	E4
ВКЛ.	ВЫКЛ.	ВКЛ.	E5
ВКЛ.	ВКЛ.	ВЫКЛ.	E6
ВКЛ.	ВКЛ.	ВКЛ.	E7

Логика выбора адреса RS485			
Параметры переключателей (переключатели 6-8)			Сетевой адрес RS485
Выбор 2	Выбор 1	Выбор 0	
ВЫКЛ.	ВЫКЛ.	ВЫКЛ.	00
ВЫКЛ.	ВЫКЛ.	ВКЛ.	01
ВЫКЛ.	ВКЛ.	ВЫКЛ.	02
ВЫКЛ.	ВКЛ.	ВКЛ.	03
ВКЛ.	ВЫКЛ.	ВЫКЛ.	04
ВКЛ.	ВЫКЛ.	ВКЛ.	05
ВКЛ.	ВКЛ.	ВЫКЛ.	06
ВКЛ.	ВКЛ.	ВКЛ.	07

Устранение неисправностей

ПРОЯВЛЕНИЕ	ВОЗМОЖНАЯ ПРИЧИНА	ДЕЙСТВИЯ ПО ИСПРАВЛЕНИЮ
Устройство подъема не отвечает	<ul style="list-style-type: none"> На кронштейн не подается питание Используется параметр триггера 12 В Перегрев привода 	Проверьте подачу питания на кронштейн Нормальная эксплуатация См. раздел «Считывание низкого напряжения» Подождите в течение 10-15 минут, пока привод охладится



MANUFACTURERS DECLARATION OF CONFORMITY

PRODUCT IDENTIFICATION:

Model/Type	:	CM2L40I, CM2L40UI – TV Lift CM2C40I, CM2C40UI – TV Ceiling Mount
Category (description)	:	Mounting devices, Stands and other Accessories, to be used with entertainment electronics
Brand	:	Chief
Manufacturer	:	Milestone AV Technologies 8401 Eagle Creek Parkway Savage, MN 55378
EU Representative	:	Milestone AV Technologies Fellennoord 130 5611 ZB Eindhoven The Netherlands 31 (0)20 5708923

Concerning	EMC	Safety (TV Lifts)	Safety (TV Ceiling Mount)
A sample of the product has been tested by	TUV SUD America0123	TUV SUD America0123	Milestone Test Lab
Test report reference	NC707785 WC700711, WC603563	DE 3 - 84051	00463
Applied standards	EN50022B, EN55014-1, EN61000-4	EN 60065/A1:2005	EN 60065/A1:2005

Means of conformity

We declare under our sole responsibility that this product is in conformity with Directive 2004/108/EC (EMC), 2006/95/EC (LVD), and/or complies to the essential requirements and all other relevant provisions of the based on test results using (non)harmonized standards in accordance with the Directives mentioned



Our Mounts. **Your Vision.**

Chief Manufacturing, a products division
of Milestone AV Technologies

8800-002154 Rev00
©2012 Milestone AV Technologies, a
Duchossois Group Company
www.chiefmfg.com
03/12

USA/International	A 6436 City West Parkway, Eden Prairie, MN 55344 P 800.582.6480 / 952.225.6000 F 877.894.6918 / 952.894.6918
Europe	A Franklinstraat 14, 6003 DK Weert, Netherlands P +31 (0) 495 580 852 F +31 (0) 495 580 845
Asia Pacific	A Office No. 1 on 12/F, Shatin Galleria 18-24 Shan Mei Street Fotan, Shatin, Hong Kong P 852 2145 4099 F 852 2145 4477

