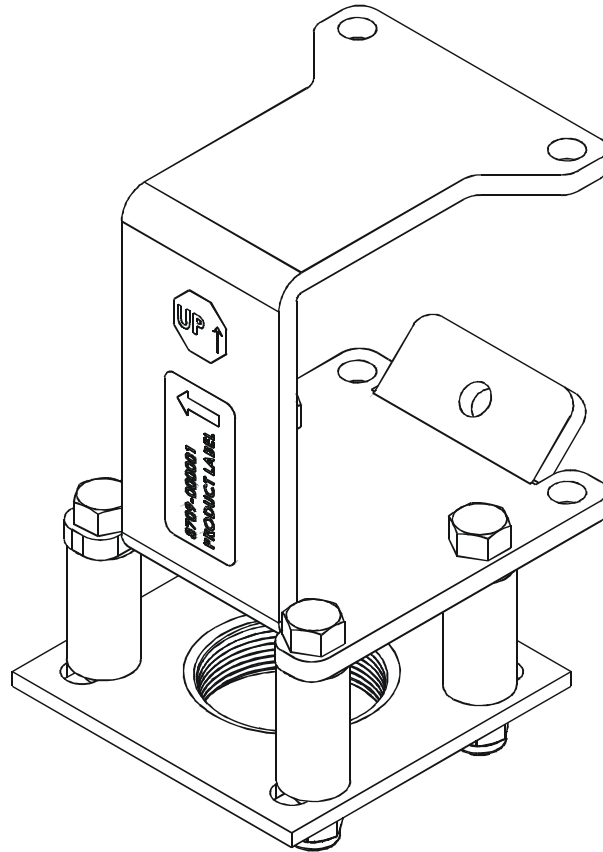


INSTALLATION INSTRUCTIONS



C-Clamp Adapter

DISCLAIMER

Milestone AV Technologies, and its affiliated corporations and subsidiaries (collectively, "Milestone"), intend to make this manual accurate and complete. However, Milestone makes no claim that the information contained herein covers all details, conditions or variations, nor does it provide for every possible contingency in connection with the installation or use of this product. The information contained in this document is subject to change without notice or obligation of any kind. Milestone makes no representation of warranty, expressed or implied, regarding the information contained herein. Milestone assumes no responsibility for accuracy, completeness or sufficiency of the information contained in this document.

Chief® is a registered trademark of Milestone AV Technologies. All rights reserved.



IMPORTANT SAFETY INSTRUCTIONS!



WARNING: A WARNING alerts you to the possibility of serious injury or death if you do not follow the instructions.



CAUTION: A CAUTION alerts you to the possibility of damage or destruction of equipment if you do not follow the corresponding instructions.



WARNING: Failure to read, thoroughly understand, and follow all instructions can result in serious personal injury, damage to equipment, or voiding of factory warranty! It is the installer's responsibility to make sure all components are properly assembled and installed using the instructions provided.



WARNING: Failure to provide adequate structural strength for this component can result in serious personal injury or damage to equipment! It is the installer's responsibility to make sure the structure to which this component is attached can support five times the combined weight of all equipment. Reinforce the structure as required before installing the component.



WARNING: Exceeding the weight capacity can result in serious personal injury or damage to equipment! It is the installer's responsibility to make sure the combined weight of all components attached to the CMA362 does not exceed 250 lbs (113.3 kg).

- The weight capacity of the CMA362 may be LIMITED to the lowest weight capacity of any other component or accessory used within the mounting system.



WARNING: Use this mounting system only for its intended use as described in these instructions. Do not use attachments not recommended by the manufacturer.



WARNING: Never operate this mounting system if it is damaged. Return the mounting system to a service center for examination and repair.



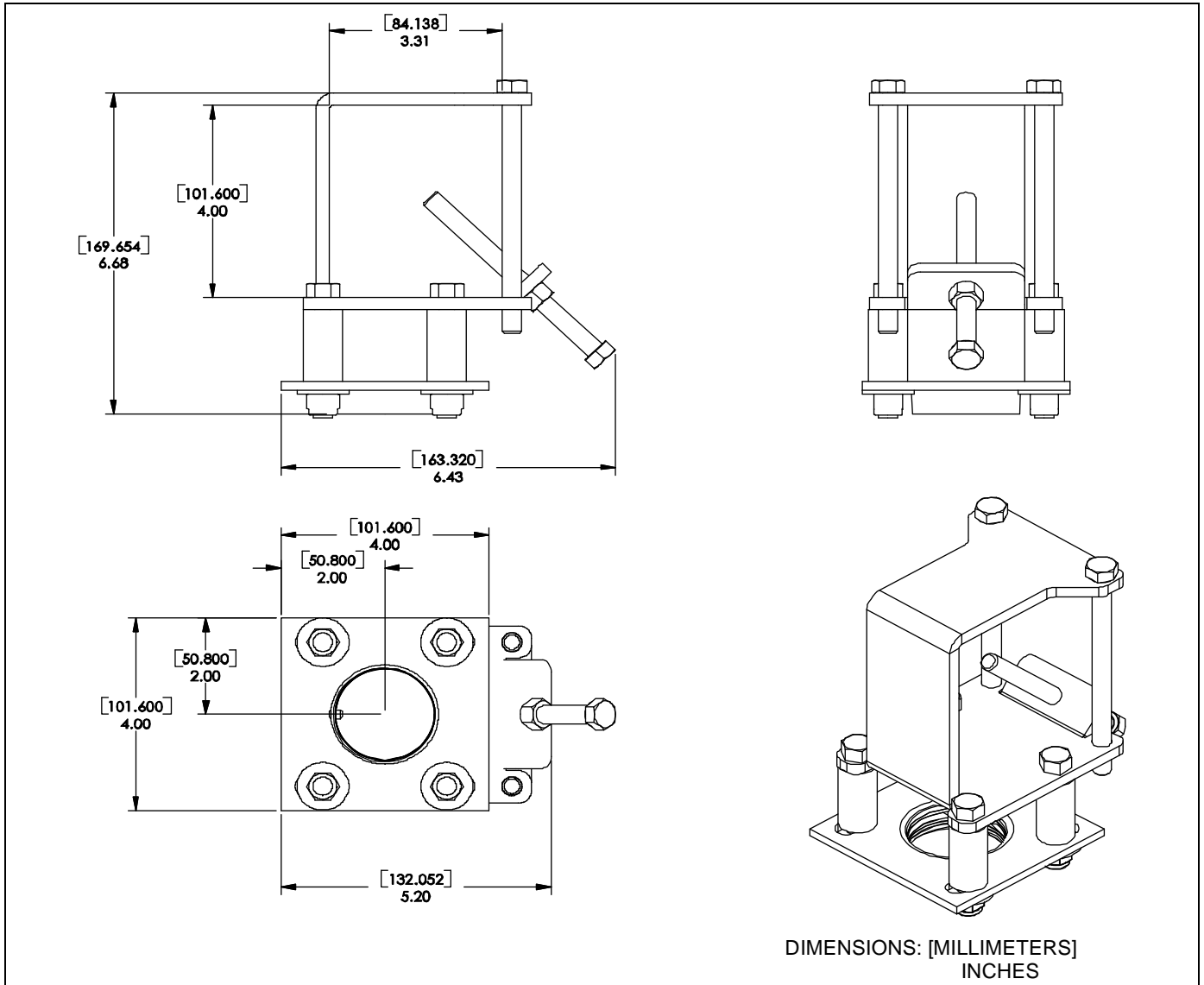
WARNING: Do not use this product outdoors.

IMPORTANT ! : The CMA362 is designed to be mounted:






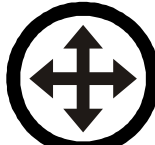


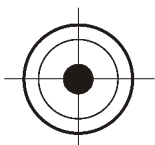



- to a 1" steel pipe;
- to a 1-5/8" wide Unistrut ceiling channel, spanning a maximum of 4 feet. The total combined weight of all components CANNOT exceed the allowable load of the channel! (Refer to Unistrut instructions for further details.)
- to a 2"x4" wood joist;

--SAVE THESE INSTRUCTIONS--

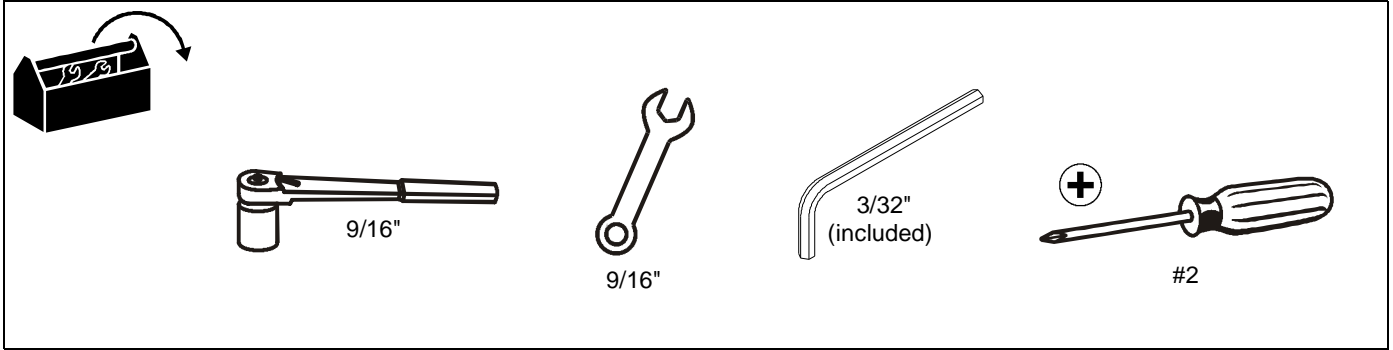
DIMENSIONS



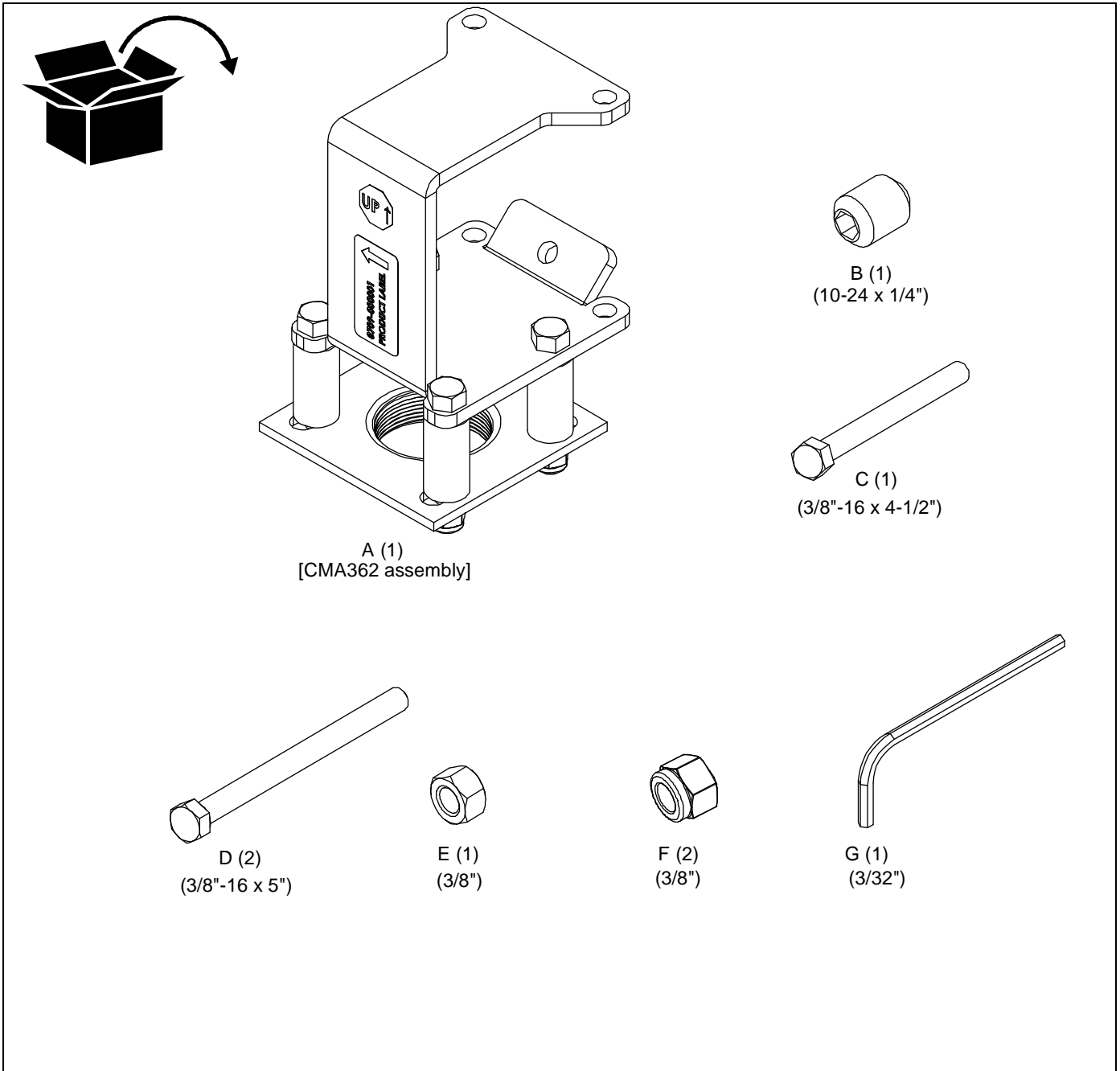
LEGEND

	Tighten Fastener Apretar elemento de fijación Befestigungsteil festziehen Apertar fixador Serrare il fissaggio Bevestiging vastdraaien Serrez les fixations		Pencil Mark Marcar con lápiz Stiftmarkierung Marcar com lápis Segno a matita Potloodmerkten Marquage au crayon
	Measure Medir Messen Medir Misurare Meten Mesurer		Drill Hole Perforar Bohrloch Fazer furo Praticare un foro Gat boren Percez un trou
	Phillips Screwdriver Destornillador Phillips Kreuzschlitzschraubendreher Chave de fendas Phillips Cacciavite a stella Kruiskopschroevendraaier Tournevis à pointe cruciforme		Adjust Ajustar Einstellen Ajustar Regolare Afstellen Ajuster
	By Hand A mano Von Hand Com a mão A mano Met de hand À la main		Optional Opcional Optional Opcional Opzionale Optie En option
	Target of Projector Punto de enfoque del proyector Ziel des Projektors Mira do projector Punto di proiezione Doel van de projector Cible du projecteur		Security Wrench Llave de seguridad Sicherheitsschlüssel Chave de segurança Chiave di sicurezza Veiligheidssleutel Clé de sécurité
	Hammer Martillo Hammer Martelo Martello Hamer Marteau		Open-Ended Wrench Llave de boca Gabelschlüssel Chave de bocas Chiave a punte aperte Steeksleutel Clé à fourche

TOOLS REQUIRED FOR INSTALLATION



PARTS



INSTALLATION



WARNING: Exceeding the weight capacity can result in serious personal injury or damage to equipment! It is the installer's responsibility to make sure the combined weight of all components attached to the CMA362 does not exceed 250 lbs (113.3 kg).

The CMA362 is designed to fit a 1" steel pipe, a 1-5/8" wide Unistrut ceiling channel spanning a maximum of 4 feet, or a 2"x4" wood joist.

The CMA362 includes an opening for a 1-1/2" NPT or NPSM following ANSI/ASME B1.20.1 (Schedule 40, 0.154" minimum thickness steel or aluminum - ASTM B221) threaded extension column (not included) which must be installed into the CMA362 with a minimum of four threads engaged.

IMPORTANT ! : These installation instructions assume that a 1" steel pipe, a 1-5/8" wide Unistrut ceiling channel spanning a maximum of 4 feet, or 2"x4" wood joist has been properly installed and is in place.

Assembly and Installation

1. Place CMA362 assembly (A) on desired mounting structure. (See Figure 1)

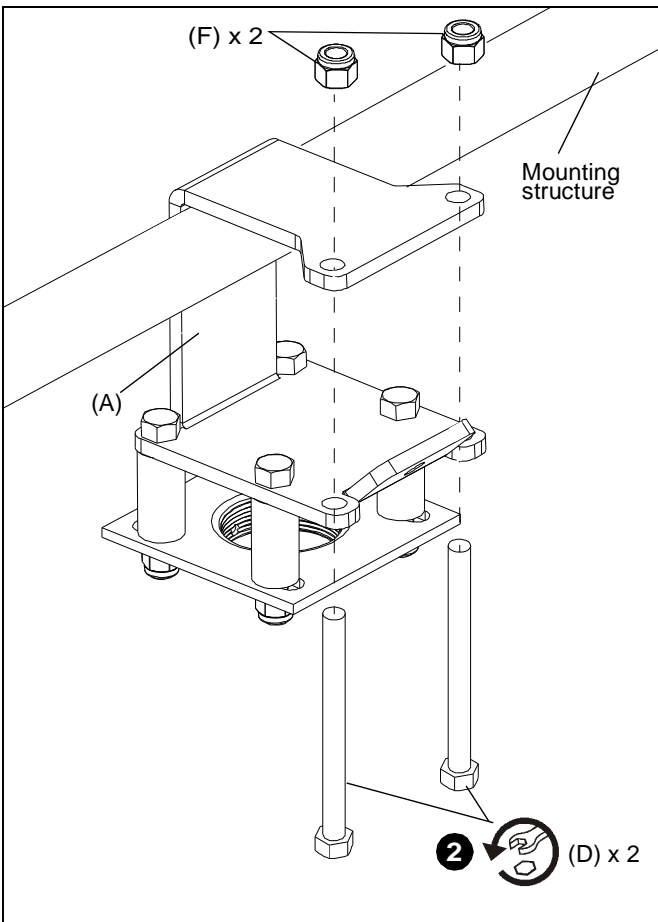


Figure 1

2. Install and tighten two 3/8-16 x 5" hex head cap screws (D) and two 3/8" Nylock nuts (F) to fasten CMA362 to mounting structure. (See Figure 1)
3. Install 3/8" hex nut (E) to 3/8-16 x 4-1/2" hex head tap bolt (C). (See Figure 2)

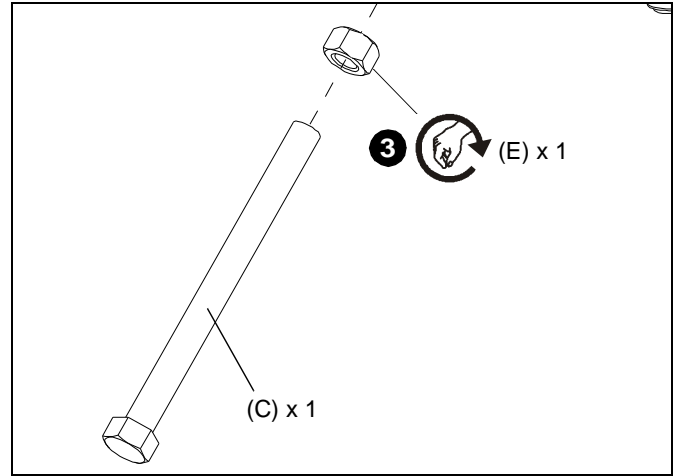


Figure 2

4. Insert 3/8-16 x 4-1/2" hex head tap bolt (C) through hole on the CMA362 (A). (See Figure 3)

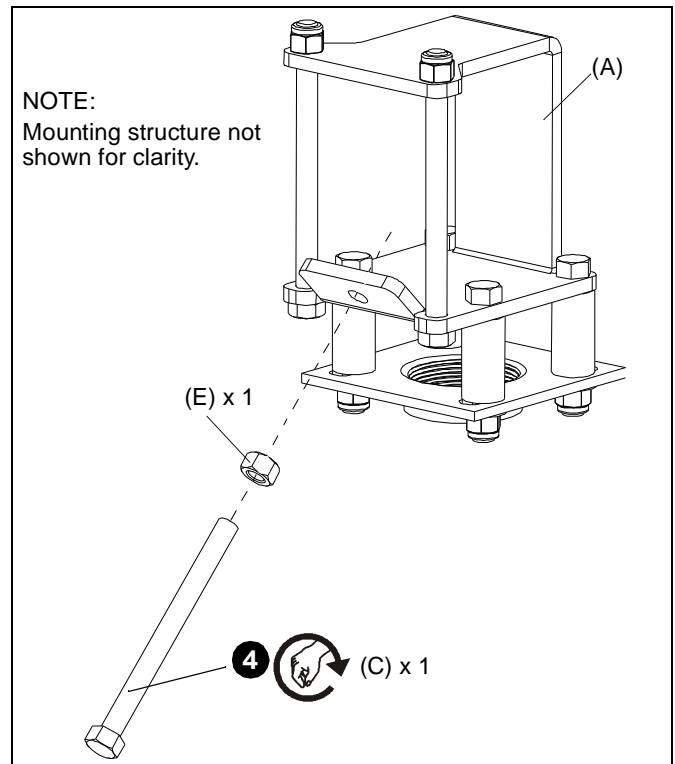


Figure 3

NOTE: The 3/8-16 hex nut (E) remains outside hole. (See Figure 4)

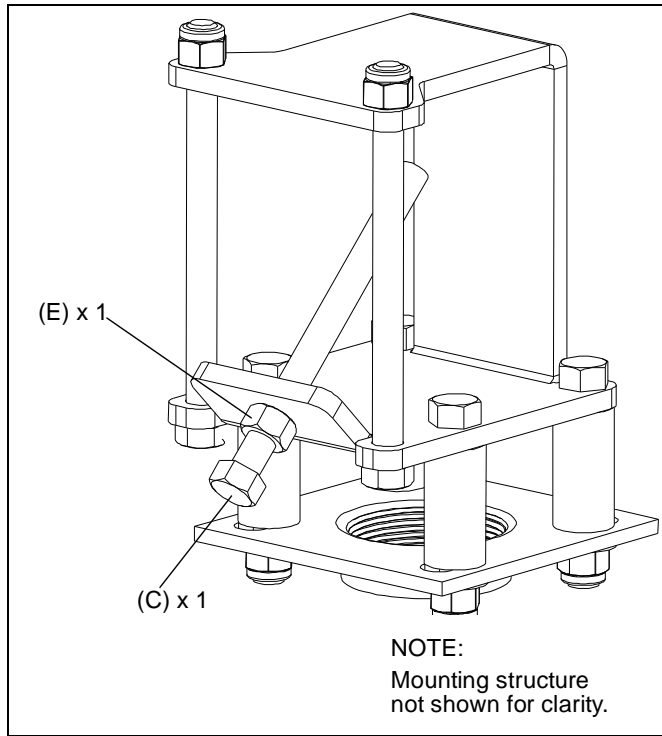


Figure 4

5. Tighten 3/8"-16 x 4-1/2" hex head tap bolt (C) against mounting structure, using the 3/8-16 hex nut (E) as a jam nut to secure the bolt in place. (See Figure 5)

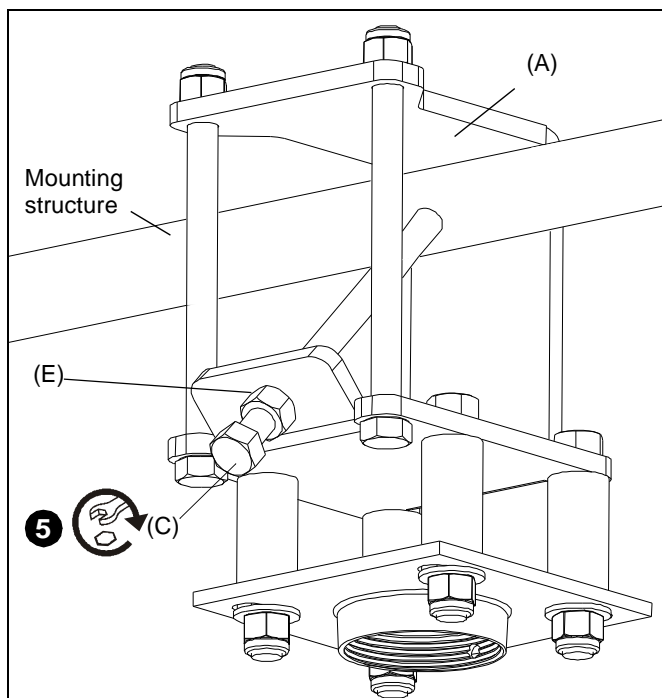


Figure 5

6. Install 1-1/2" extension column (not included) with a minimum of four threads engaged.
7. Secure extension column using 10-24 x 1/4" set screw (B). (See Figure 6)

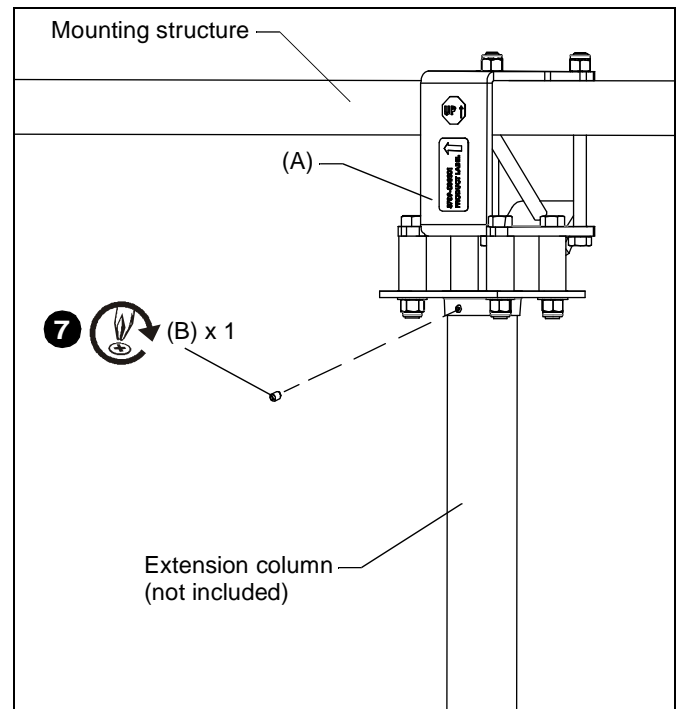


Figure 6



Our Mounts. **Your Vision.**

Chief Manufacturing, a products division
of Milestone AV Technologies

8800-002488 Rev00

©2013 Milestone AV Technologies, a
Duchossois Group Company

www.chiefmfg.com

10/13

USA/International	A 6436 City West Parkway, Eden Prairie, MN 55344
	P 800.582.6480 / 952.225.6000
	F 877.894.6918 / 952.894.6918
Europe	A Franklinstraat 14, 6003 DK Weert, Netherlands
	P +31 (0) 495 580 852
	F +31 (0) 495 580 845
Asia Pacific	A Office No. 1 on 12/F, Shatin Galleria 18-24 Shan Mei Street Fotan, Shatin, Hong Kong
	P 852 2145 4099
	F 852 2145 4477

