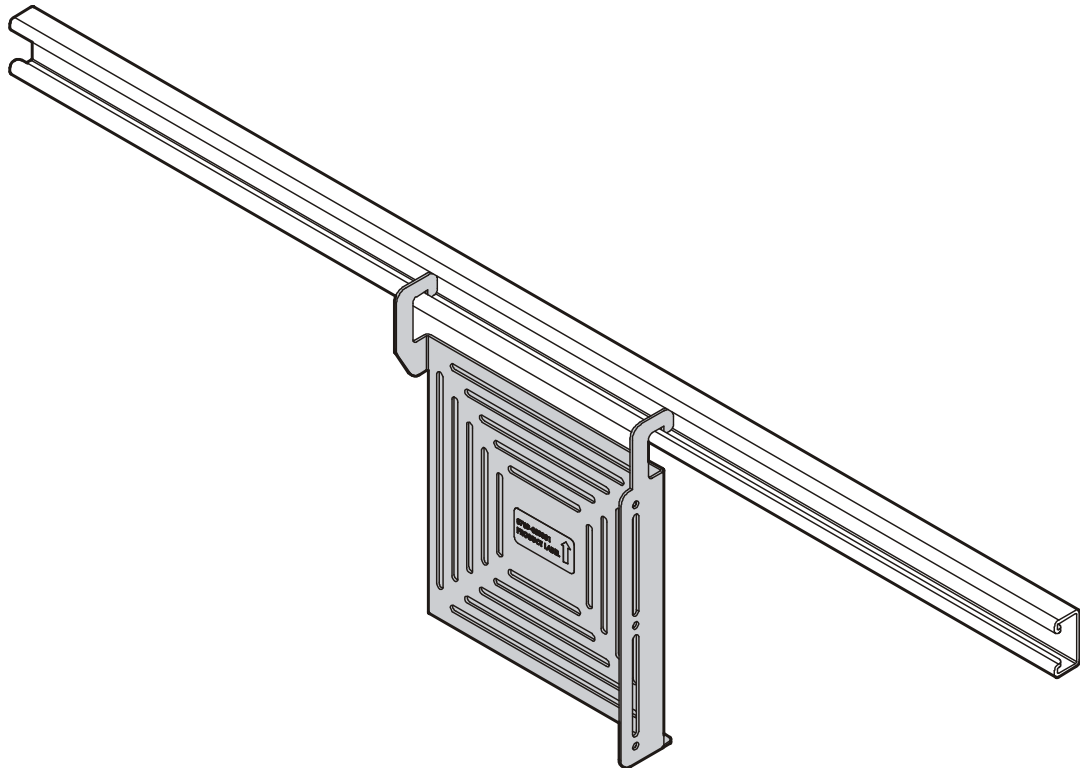


---

# INSTALLATION INSTRUCTIONS

---



---

## ConnexSys™ Device Holder

---

### DISCLAIMER

Milestone AV Technologies and its affiliated corporations and subsidiaries (collectively "Milestone"), intend to make this manual accurate and complete. However, Milestone makes no claim that the information contained herein covers all details, conditions or variations, nor does it provide for every possible contingency in connection with the installation or use of this product. The information contained in this document is subject to change without notice or obligation of any kind. Milestone makes no representation of warranty, expressed or implied, regarding the information contained herein. Milestone assumes no responsibility for accuracy, completeness or sufficiency of the information contained in this document.

Chief® is a registered trademark of Milestone AV Technologies. All rights reserved.

### ! IMPORTANT SAFETY INSTRUCTIONS

**! WARNING:** A WARNING alerts you to the possibility of serious injury or death if you do not follow the instructions.

**! CAUTION:** A CAUTION alerts you to the possibility of damage or destruction of equipment if you do not follow the corresponding instructions.

**! WARNING:** Failure to read, thoroughly understand, and follow all instructions can result in serious personal injury, damage to equipment, or voiding of factory warranty! It is the installer's responsibility to make sure all components are properly assembled and installed using the instructions provided.

**! WARNING:** Exceeding the weight capacity can result in serious personal injury or damage to equipment! It is the installer's responsibility to make sure the combined weight of all components attached to the CSA100 does not exceed 10 lbs (4.5 kg).

**! WARNING:** Use this mounting system only for its intended use as described in these instructions. Do not use attachments not recommended by the manufacturer.

**! WARNING:** Never operate this mounting system if it is damaged. Return the mounting system to a service center for examination and repair.

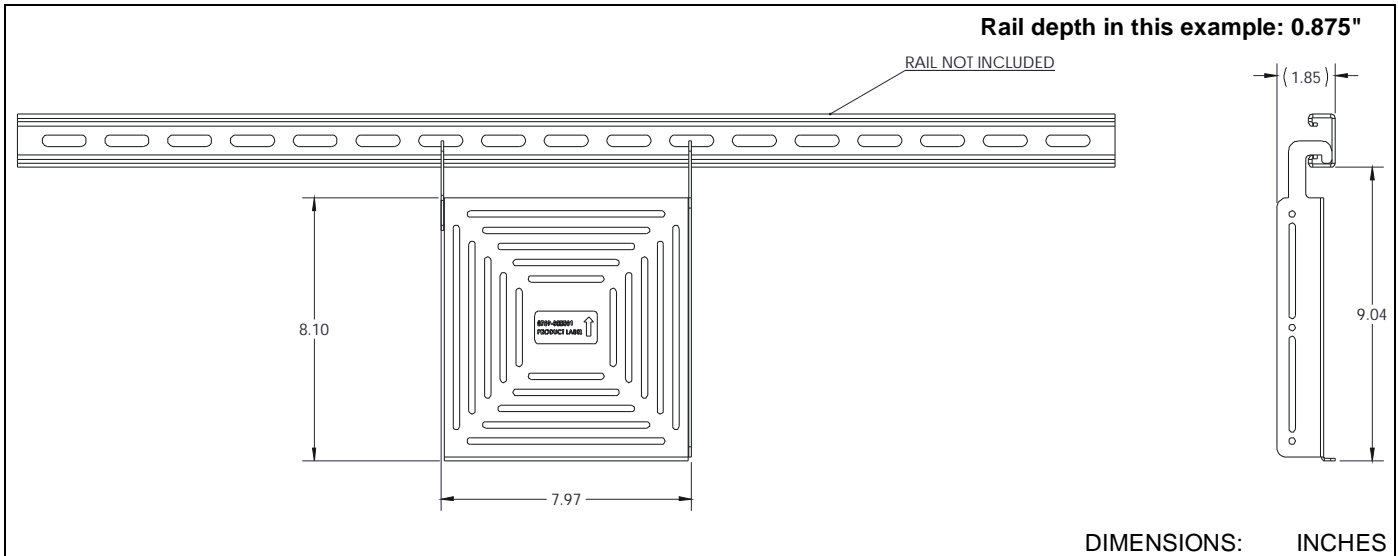
**! WARNING:** Do not use this product outdoors.

**! CAUTION:** Do not bump CSA100 or its attached components. If bumped from below the CSA100 may dislodge from the rail.

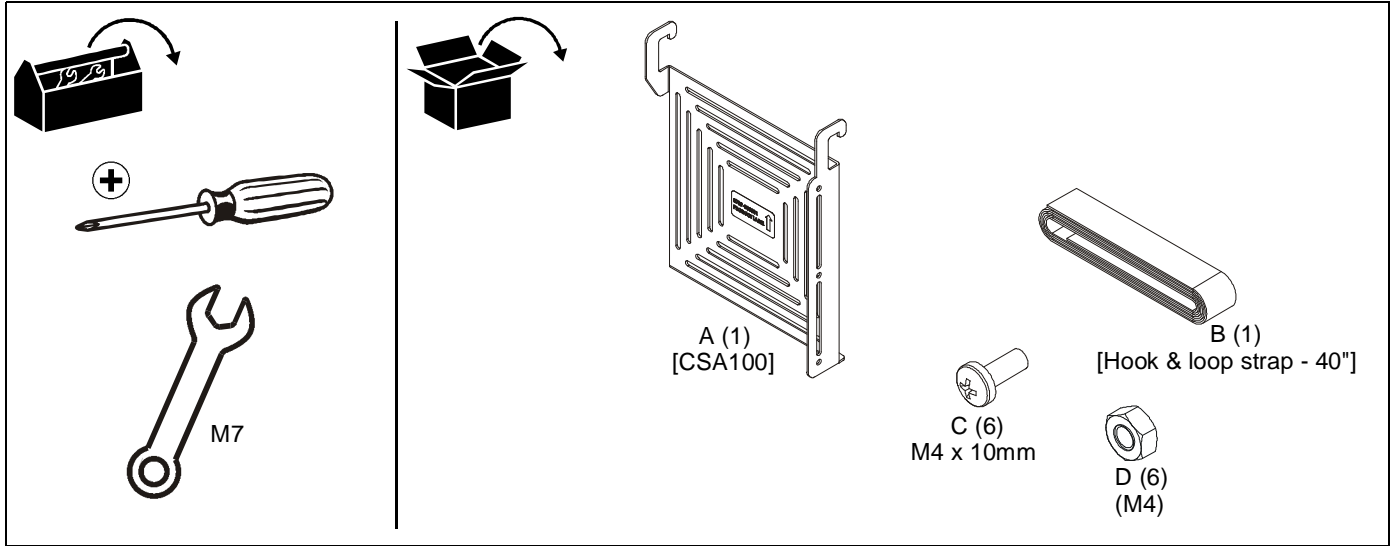
**IMPORTANT ! :** The CSA100 is designed for use on the LVS1U/LVSXU or LVS1UP/LVSXUP video wall mounting systems.

**--SAVE THESE INSTRUCTIONS--**

### DIMENSIONS



**TOOLS / PARTS FOR INSTALLATION**



**ASSEMBLY AND INSTALLATION**

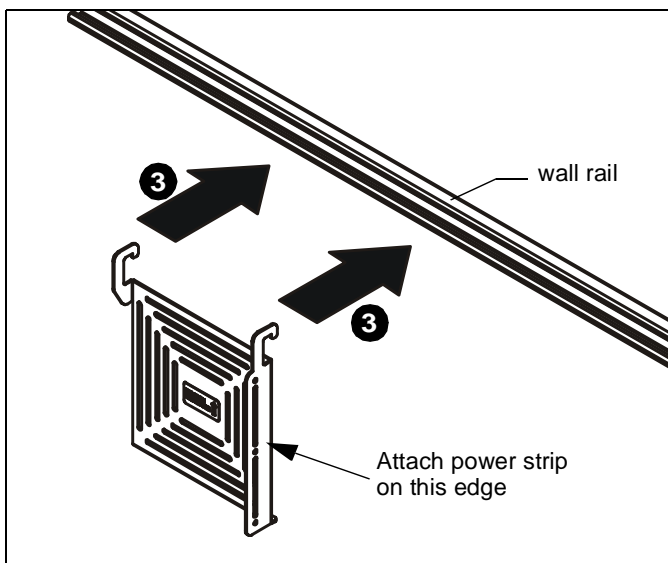
**NOTE:** Components may be attached to the CSA100 (A) either using the hardware included (C and D), or the hook and loop strap (B) provided.

**NOTE:** A power strip may be attached to the side of the CSA100 **ONLY** when used in the middle of the LVS1U/LVSXU, **OR** if CSA100 is installed on rail outside of main mount frame. (See Figure 1)

1. **If component has a flange:** Attach component to CSA100 using Phillips M4 x 10mm screws (C) and M4 nuts (D). **Proceed to Step 3.**
2. **If component does not have an attachment point:** Attach component to CSA100 using hook and loop strap (B). Cut strap to length as necessary.
3. Complete the installation by hanging CSA100 on the lower part of the LVS1U/LVSXU or LVS1UP/LVSXUP wall rail between displays. (See Figure 1)



**CAUTION:** Do not bump CSA100 or its attached components. If bumped from below the CSA100 may dislodge from the rail.



**Figure 1**



Our Mounts. **Your Vision.**

Chief, a products division of  
Milestone AV Technologies

8800-002676 Rev00  
©2015 Milestone AV Technologies  
[www.chiefmfg.com](http://www.chiefmfg.com)  
03/15

<b>USA/International</b>	<b>A</b> 6436 City West Parkway, Eden Prairie, MN 55344 <b>P</b> 800.582.6480 / 952.225.6000 <b>F</b> 877.894.6918 / 952.894.6918
<b>Europe</b>	<b>A</b> Franklinstraat 14, 6003 DK Weert, Netherlands <b>P</b> +31 (0) 495 580 852 <b>F</b> +31 (0) 495 580 845
<b>Asia Pacific</b>	<b>A</b> Office No. 918 on 9/F, Shatin Galleria 18-24 Shan Mei Street Fotan, Shatin, Hong Kong <b>P</b> 852 2145 4099 <b>F</b> 852 2145 4477

