

INSTALLATION INSTRUCTIONS

CSACLIPS

ConnexSys™ Cable Management Clips

CSACLIPS are designed for compatibility with Chief® ConnexSys™ Series video wall mounting system. See the specific installation instructions provided with the mount for additional installation information.

PARTS

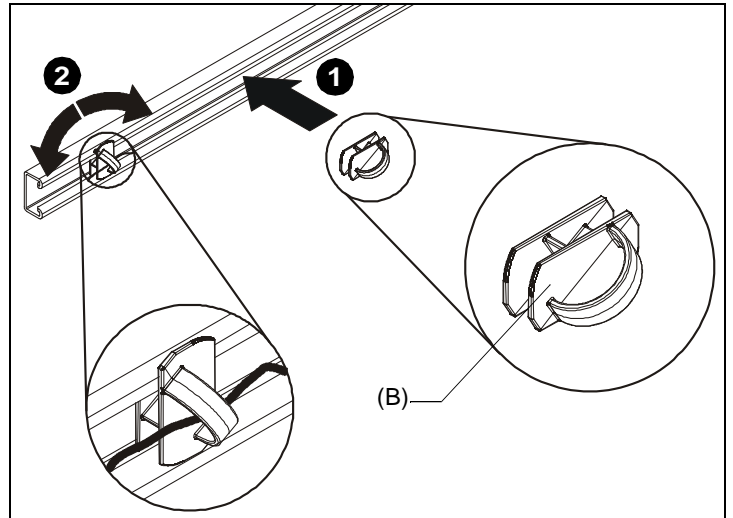
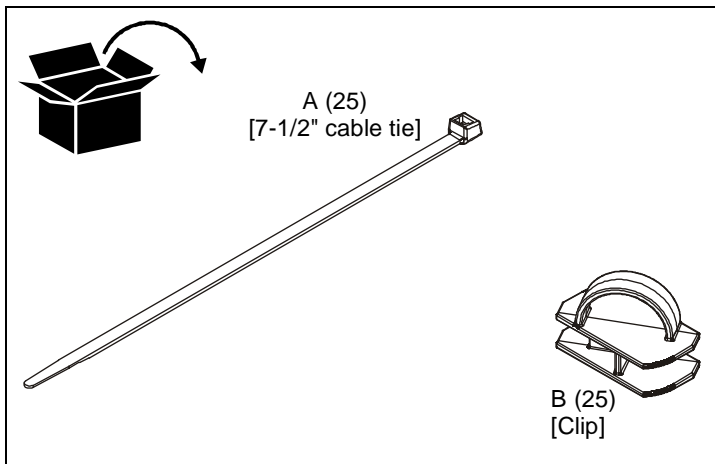


Figure 1

1. Place cable clip (B) into rail/strut channel. (See Figure 1)
2. Turn cable clip 90° in either direction until cable clip is vertical. (See Figure 1)
3. Route cables and RapidDraw release cords along rails/strut channels, and through cable clips.
4. Fasten cables and cords to cable clips (B) using cable ties (A), as necessary.



Milestone AV Technologies, and its affiliated corporations and subsidiaries (collectively, "Milestone"), intend to make this manual accurate and complete. However, Milestone makes no claim that the information contained herein covers all details, conditions or variations, nor does it provide for every possible contingency in connection with the installation or use of this product. The information contained in this document is subject to change without notice or obligation of any kind. Milestone makes no representation of warranty, expressed or implied, regarding the information contained herein. Milestone assumes no responsibility for accuracy, completeness or sufficiency of the information contained in this document.