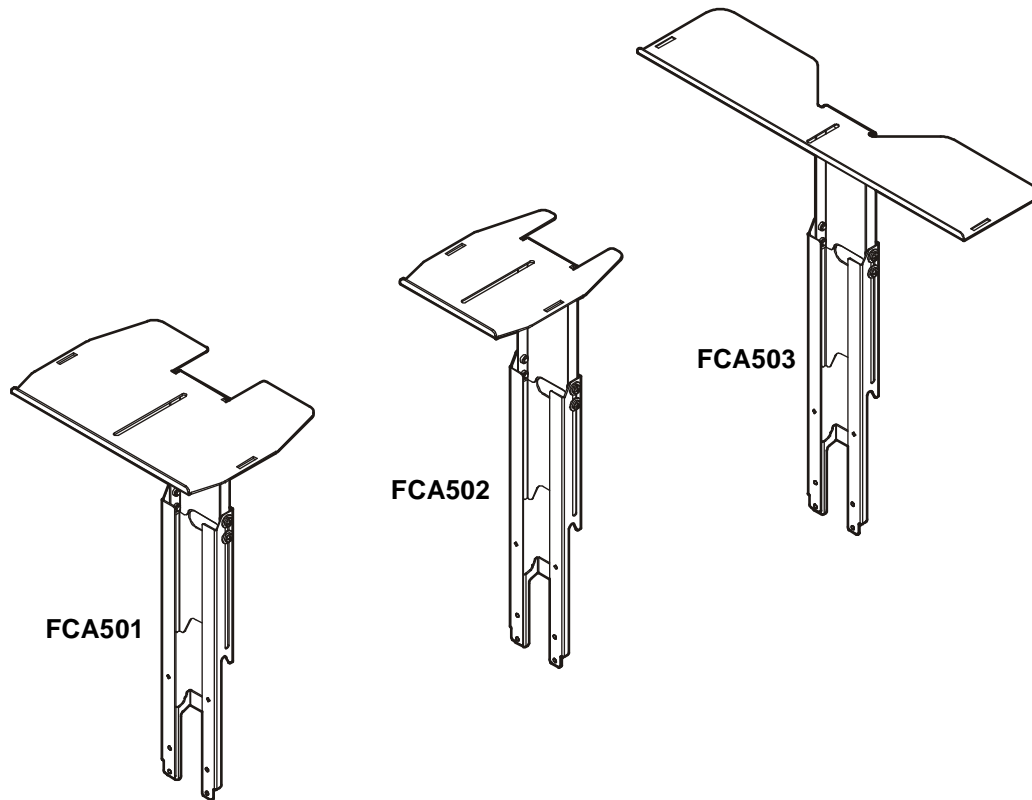

INSTALLATION INSTRUCTIONS



Upper Accessory Shelf

DISCLAIMER

Milestone AV Technologies and its affiliated corporations and subsidiaries (collectively "Milestone"), intend to make this manual accurate and complete. However, Milestone makes no claim that the information contained herein covers all details, conditions or variations, nor does it provide for every possible contingency in connection with the installation or use of this product. The information contained in this document is subject to change without notice or obligation of any kind. Milestone makes no representation of warranty, expressed or implied, regarding the information contained herein. Milestone assumes no responsibility for accuracy, completeness or sufficiency of the information contained in this document.

Chief® is a registered trademark of Milestone AV Technologies. All rights reserved.

! IMPORTANT SAFETY INSTRUCTIONS

! WARNING: A WARNING alerts you to the possibility of serious injury or death if you do not follow the instructions.

! CAUTION: A CAUTION alerts you to the possibility of damage or destruction of equipment if you do not follow the corresponding instructions.

! WARNING: Failure to read, thoroughly understand, and

follow all instructions can result in serious personal injury, damage to equipment, or voiding of factory warranty! It is the installer's responsibility to make sure all components are properly assembled and installed using the instructions provided.

! WARNING: Exceeding the weight capacity can result in serious personal injury or damage to equipment! It is the installer's responsibility to make sure the combined weight of all components placed on the FCA501/FCA502/FCA503 does not exceed 10 lbs (4.5 kg).

! WARNING: Use this mounting system only for its intended use as described in these instructions. Do not use attachments not recommended by the manufacturer.

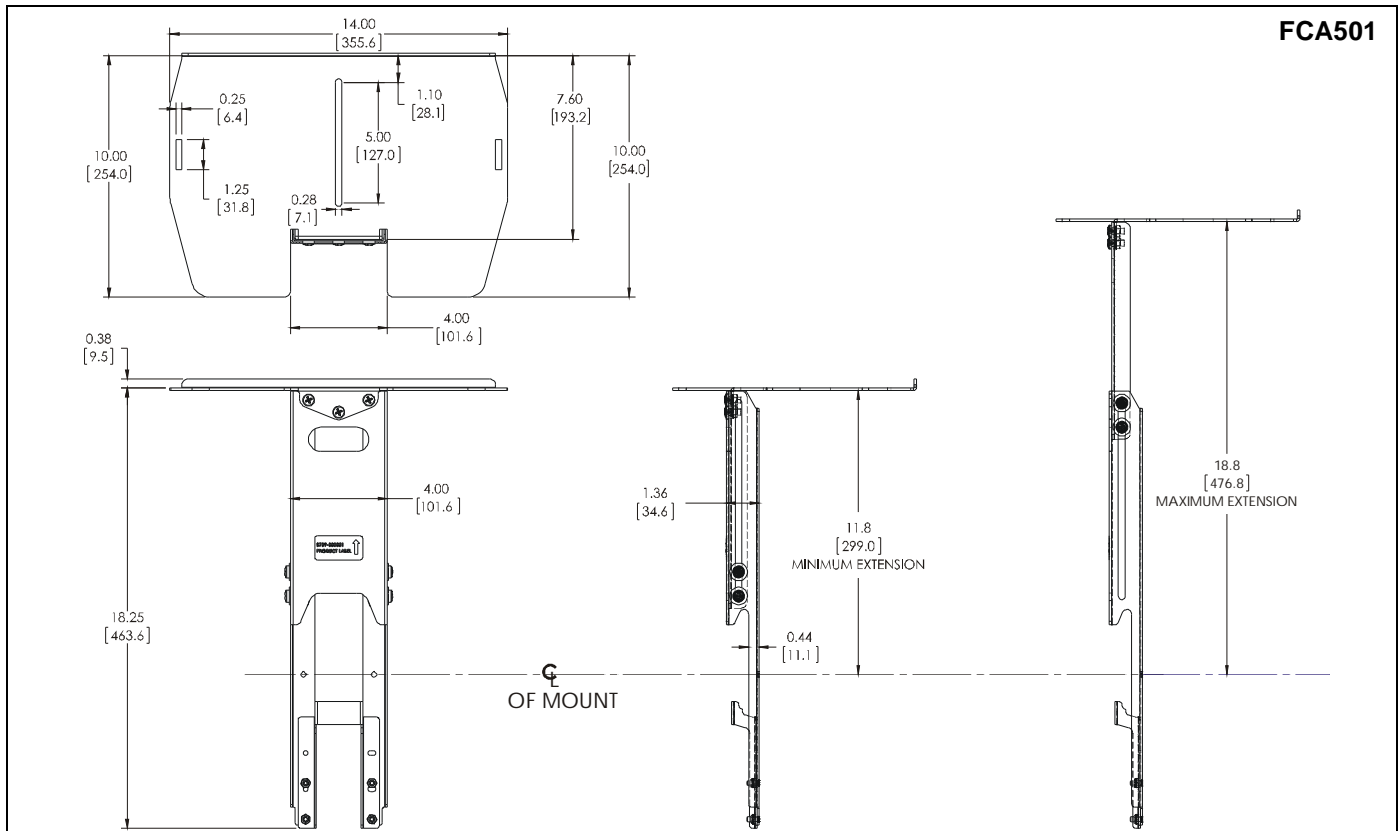
! WARNING: Never operate this mounting system if it is damaged. Return the mounting system to a service center for examination and repair.

! WARNING: Do not use this product outdoors.

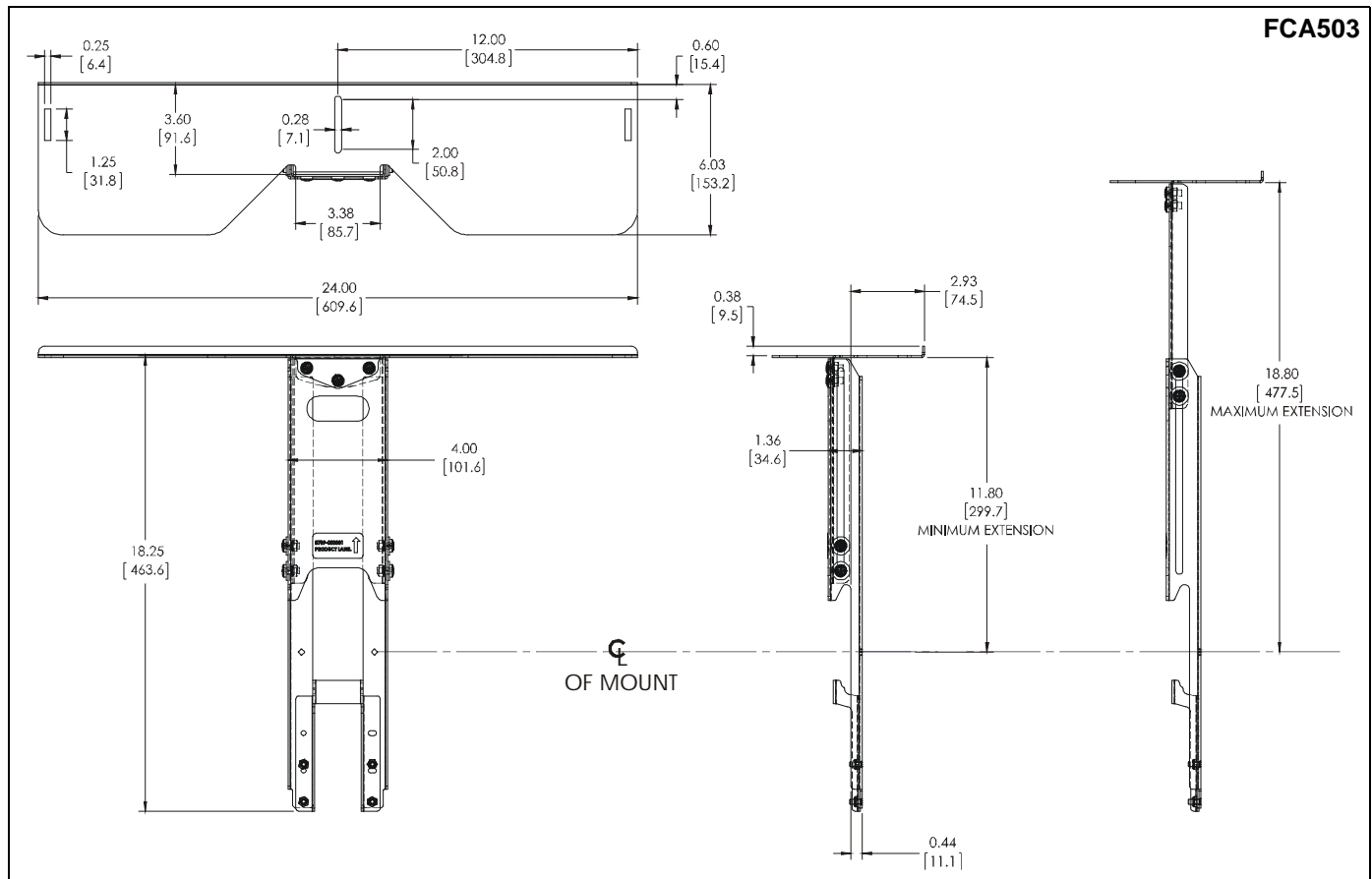
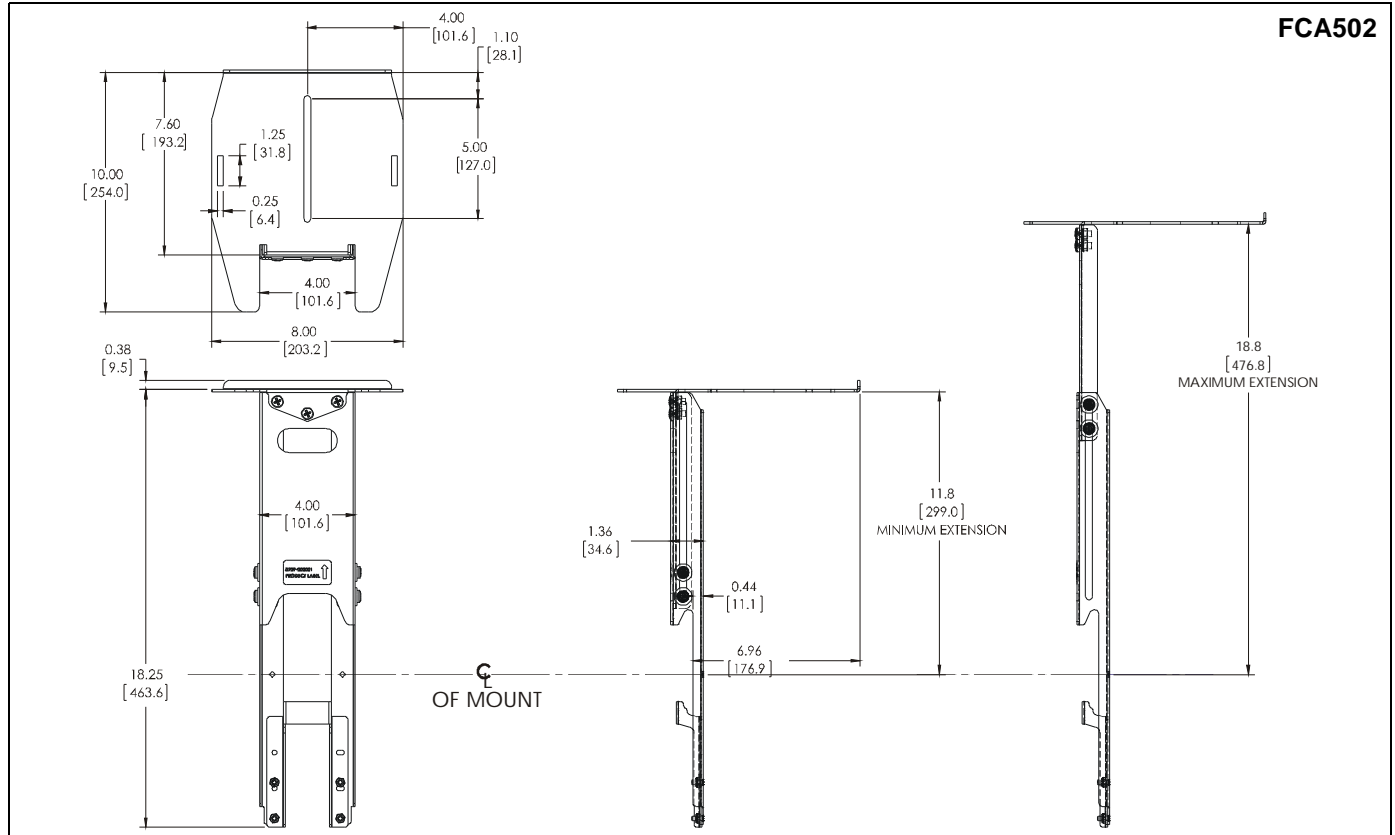
! WARNING: RISK OF INJURY TO PERSONS! Do not use this mounting system to support video equipment such as televisions or computer monitors.

--SAVE THESE INSTRUCTIONS--



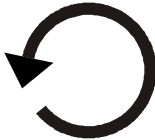

DIMENSIONS



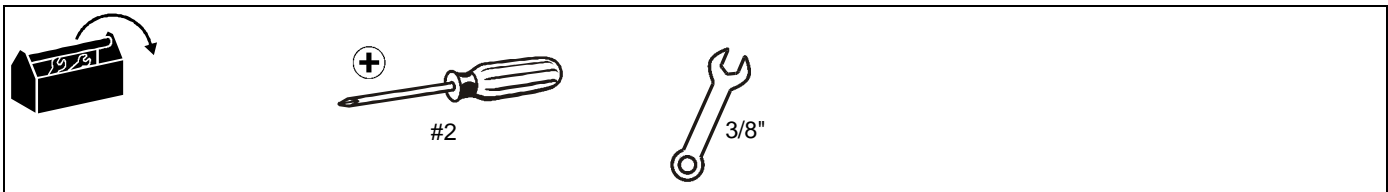
DIMENSIONS - continued



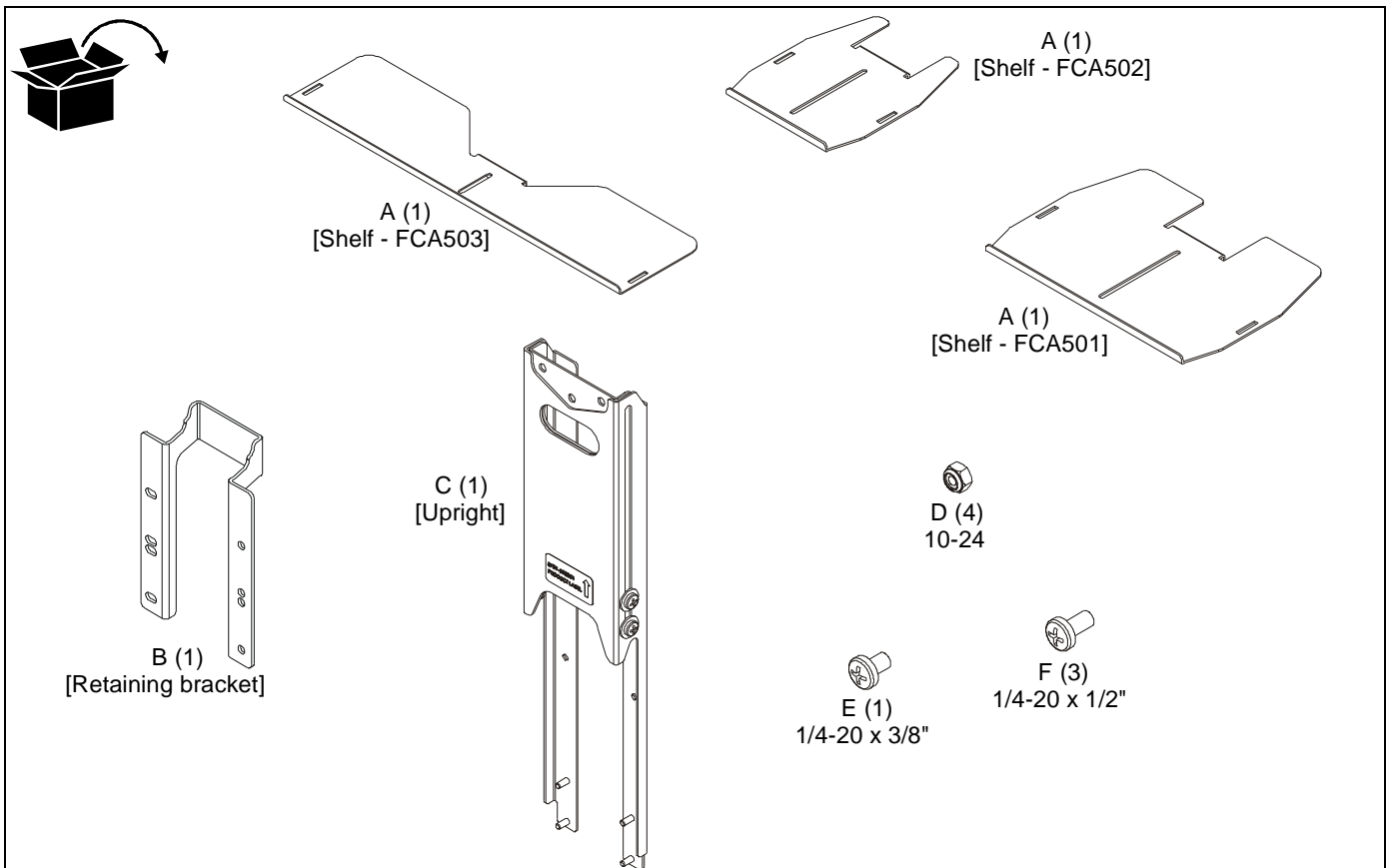
LEGEND

	Tighten Fastener		Phillips Screwdriver
	Apretar elemento de fijación		Destornillador Phillips
	Befestigungsteil festziehen		Kreuzschlitzschraubendreher
	Apertar fixador		Chave de fendas Phillips
	Serrare il fissaggio		Cacciavite a stella
	Bevestiging vastdraaien		Kruiskopschroevendraaier
Serrez les fixations	Tournevis à pointe cruciforme		
	Loosen Fastener		Open-Ended Wrench
	Aflojar elemento de fijación		Llave de boca
	Befestigungsteil lösen		Gabelschlüssel
	Desapertar fixador		Chave de bocas
	Allentare il fissaggio		Chiave a punte aperte
	Bevestiging losdraaien		Steeksleutel
Desserrez les fixations	Clé à fourche		

TOOLS REQUIRED FOR INSTALLATION



PARTS



ASSEMBLY AND INSTALLATION

Assembling Shelf to Upright

1. Attach shelf (A) to upright (C) using three 1/4-20 x 1/2" Phillips pan head machine screws (F). (See Figure 1)

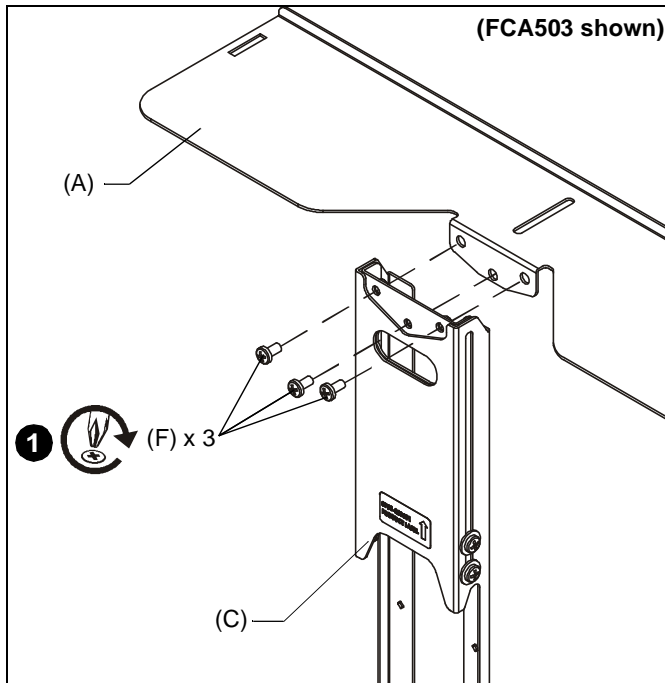


Figure 1

Attaching Shelf Assembly to Mount

1. Lower shelf assembly onto mount extrusion, placing shelf assembly hooks over extrusion. (See Figure 2)

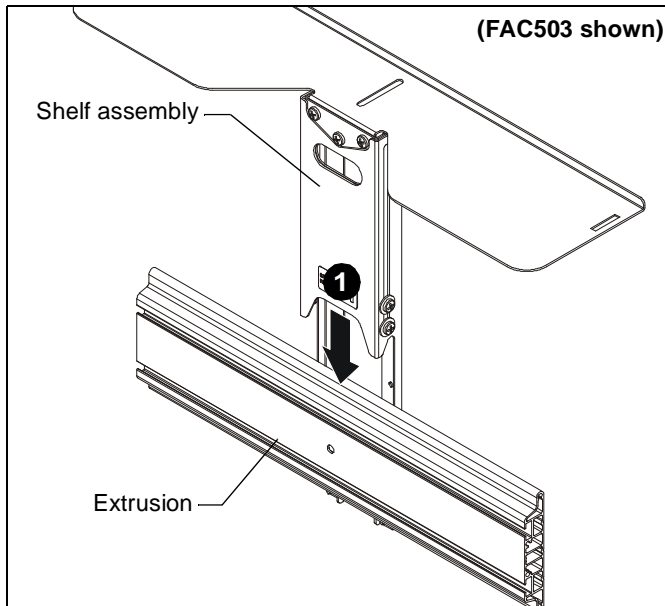


Figure 2

2. Attach retaining bracket (B) to upright, pressing retaining bracket against mount extrusion and tightening, using four 10-24 lock nuts (D). (See Figure 3)

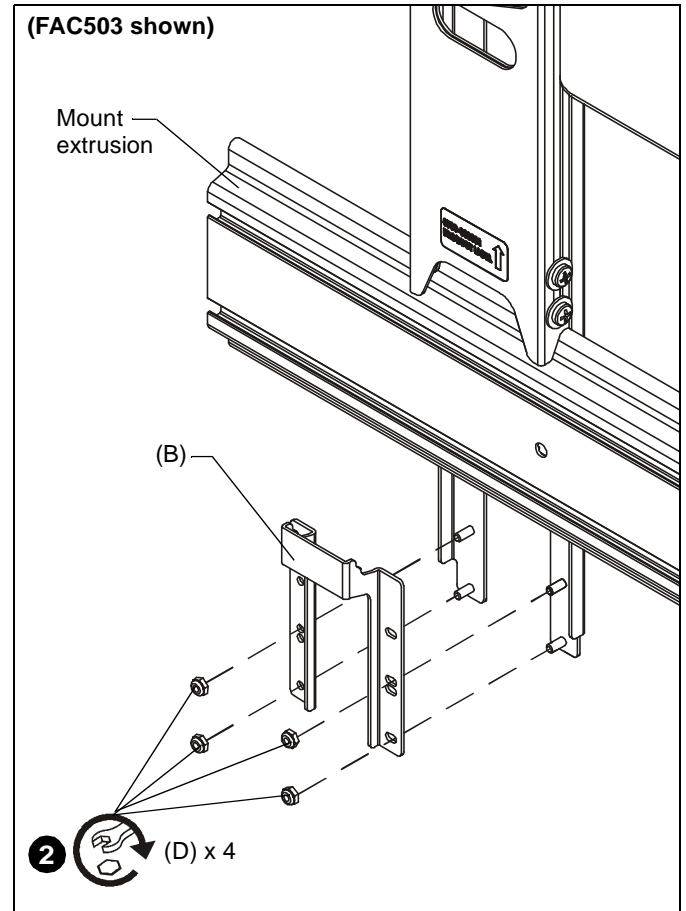


Figure 3

Adjustments

1. Loosen two screws on each side of upright. (See Figure 4)
2. Adjust height of shelf, as necessary.
3. Tighten two screws on each side of upright.

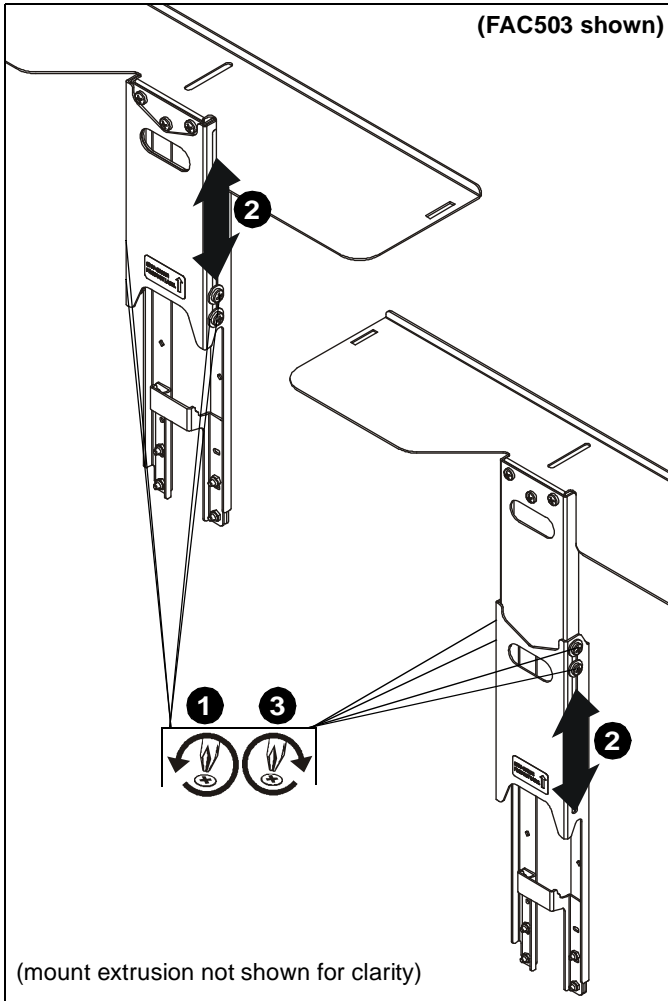


Figure 4

Installing Components



WARNING: Exceeding the weight capacity can result in serious personal injury or damage to equipment! It is the installer's responsibility to make sure the combined weight of all components located on the FCA501/FCA502/FCA503 does not exceed 10 lbs (4.5 kg).

NOTE: OPTIONAL: Slots are provided in shelf for strap (not included) to hold component in place. (See Figure 5)

Installing Camera

1. Install 1/4-20 x 3/8" Phillips pan machine screw (E) through mounting slot on shelf and into hole on bottom of camera (not included). (See Figure 5)
2. Route cable from camera towards back of shelf and down behind the FCA501/502/503. (See Figure 5)

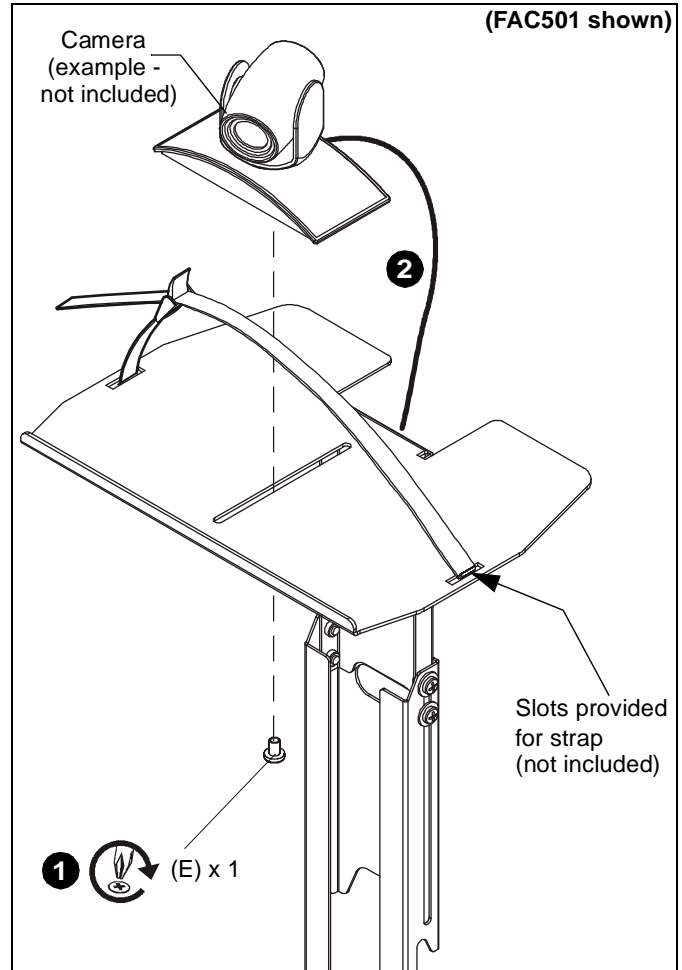


Figure 5



Our Mounts. **Your Vision.**

Chief Manufacturing, a products division
of Milestone AV Technologies

8800-002260 Rev00
©2012 Milestone AV Technologies, a
Duchossois Group Company
www.chiefmfg.com
11/12

USA/International	A 6436 City West Parkway, Eden Prairie, MN 55344 P 800.582.6480 / 952.225.6000 F 877.894.6918 / 952.894.6918
Europe	A Franklinstraat 14, 6003 DK Weert, Netherlands P +31 (0) 495 580 852 F +31 (0) 495 580 845
Asia Pacific	A Office No. 1 on 12/F, Shatin Galleria 18-24 Shan Mei Street Fotan, Shatin, Hong Kong P 852 2145 4099 F 852 2145 4477

