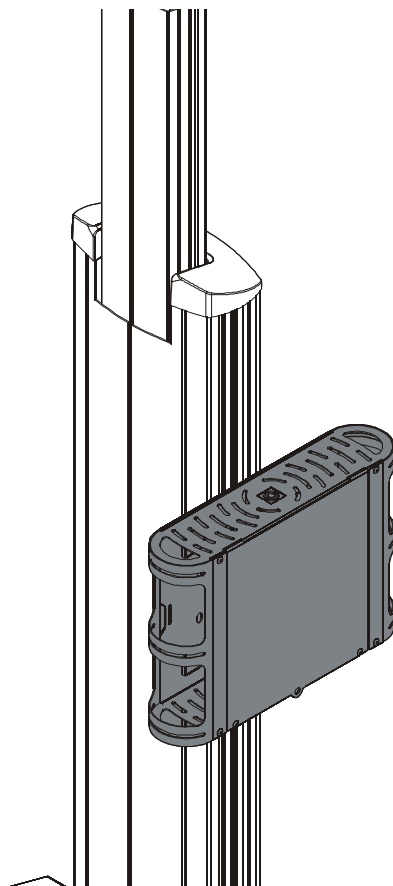

INSTALLATION INSTRUCTIONS



CPU Holder for Fusion™ Cart/Stand

DISCLAIMER

Milestone AV Technologies and its affiliated corporations and subsidiaries (collectively "Milestone"), intend to make this manual accurate and complete. However, Milestone makes no claim that the information contained herein covers all details, conditions or variations, nor does it provide for every possible contingency in connection with the installation or use of this product. The information contained in this document is subject to change without notice or obligation of any kind. Milestone makes no representation of warranty, expressed or implied, regarding the information contained herein. Milestone assumes no responsibility for accuracy, completeness or sufficiency of the information contained in this document.

Chief® is a registered trademark of Milestone AV Technologies. All rights reserved.

DEFINITIONS

MOUNTING SYSTEM: A MOUNTING SYSTEM is the primary Chief product to which an accessory and/or component is attached.

ACCESSORY: AN ACCESSORY is the secondary Chief product which is attached to a primary Chief product, and may have a component attached or setting on it.

COMPONENT: A COMPONENT is an audiovisual item designed to be attached or resting on an accessory or mounting system such as a video camera, CPU, screen, display, projector, etc.



WARNING: A WARNING alerts you to the possibility of serious injury or death if you do not follow the instructions.



CAUTION: A CAUTION alerts you to the possibility of damage or destruction of equipment if you do not follow the corresponding instructions.



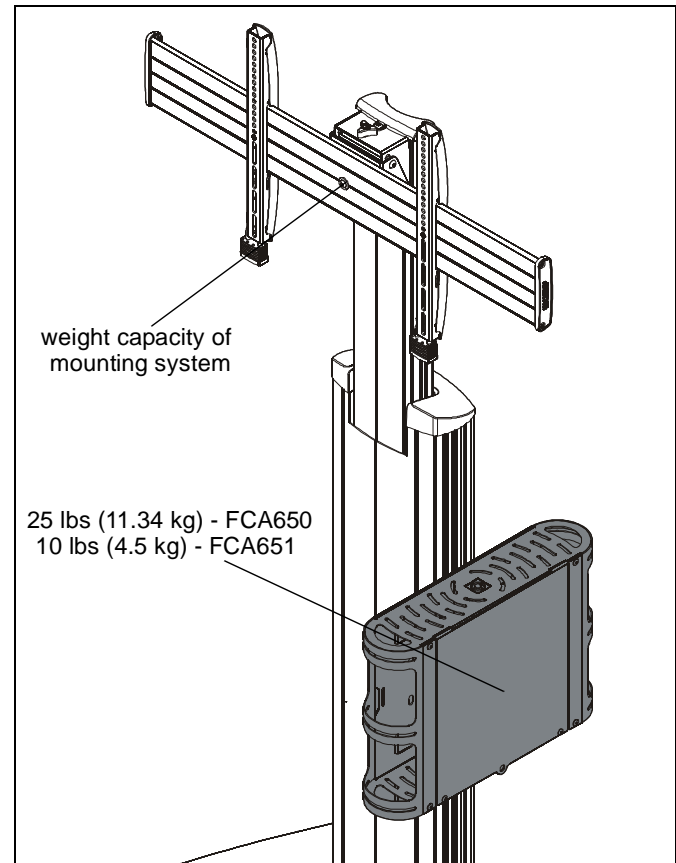
IMPORTANT SAFETY INSTRUCTIONS



WARNING: Failure to read, thoroughly understand, and follow all instructions can result in serious personal injury, damage to equipment, or voiding of factory warranty! It is the installer's responsibility to make sure all accessories are properly assembled and installed using the instructions provided.



WARNING: Exceeding the weight capacity can result in serious personal injury or damage to equipment! It is the installer's responsibility to make sure the combined weight of all components located within the CPU holder does not exceed 25 lbs (11.34 kg) for the FCA650 or 10 lbs (4.5 kg) for the FCA651. See Figure below for details.



WARNING: Use this accessory only for its intended use as described in these instructions. Do not use attachments not recommended by the manufacturer.



WARNING: Never operate this accessory if it is damaged. Return the accessory to a service center for examination and repair.



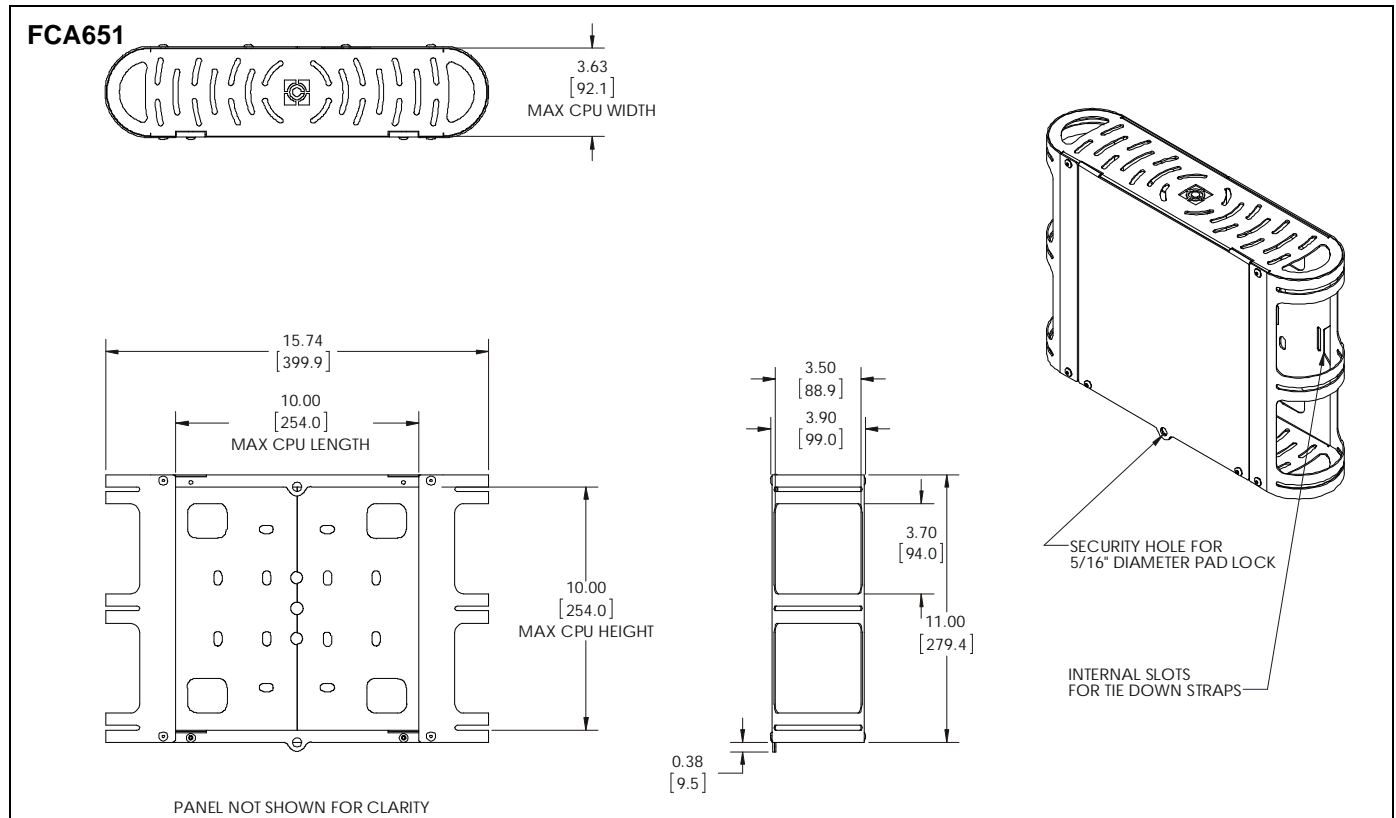
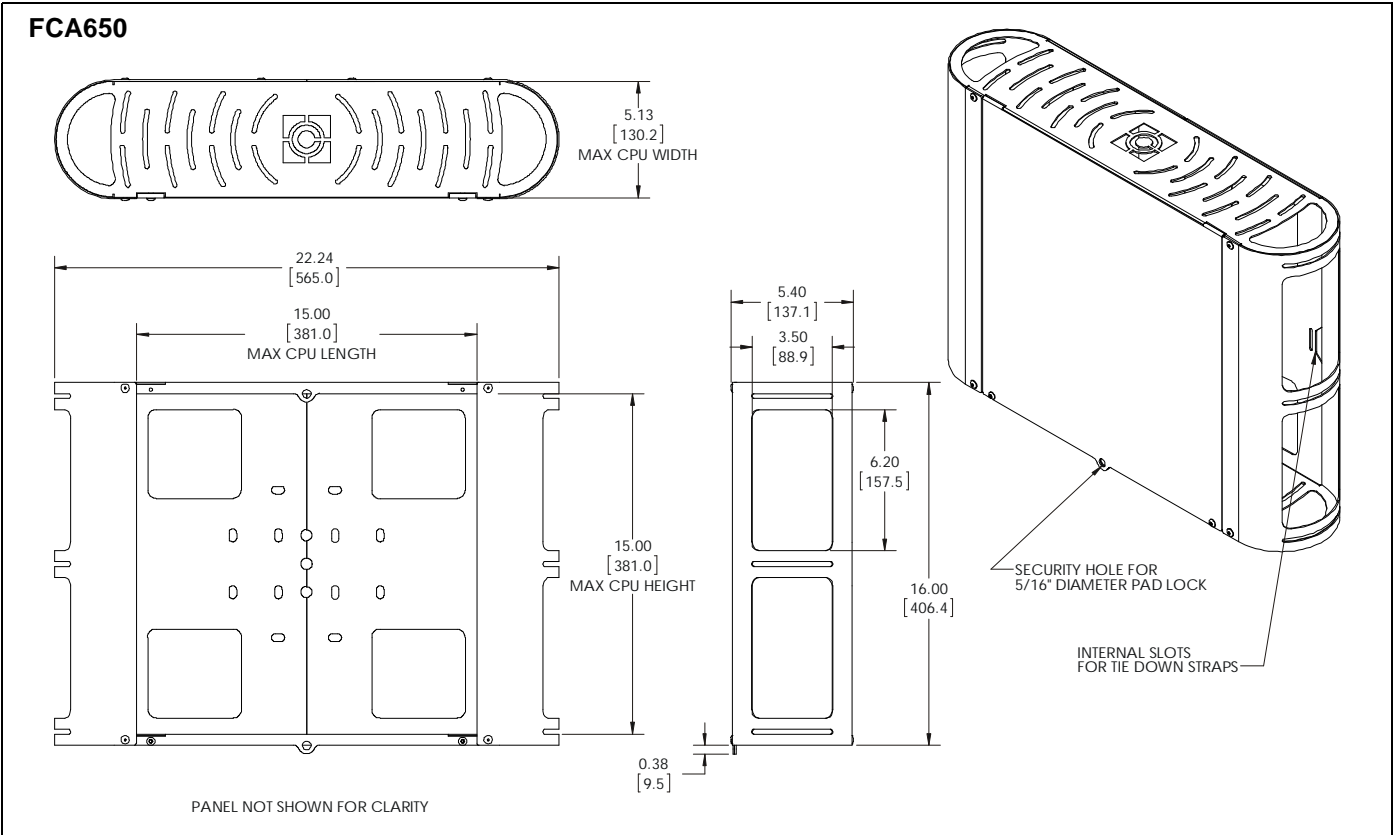
WARNING: Do not use this product outdoors.















WARNING: RISK OF INJURY TO PERSONS! Do not place video equipment such as televisions or computer monitor on CPU holder.

--SAVE THESE INSTRUCTIONS--

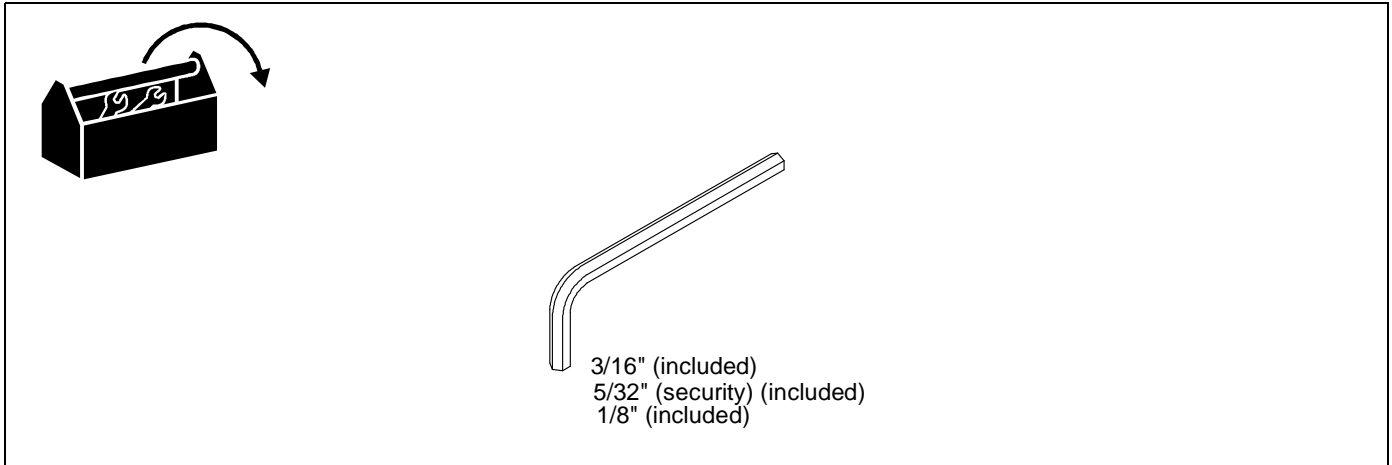
DIMENSIONS



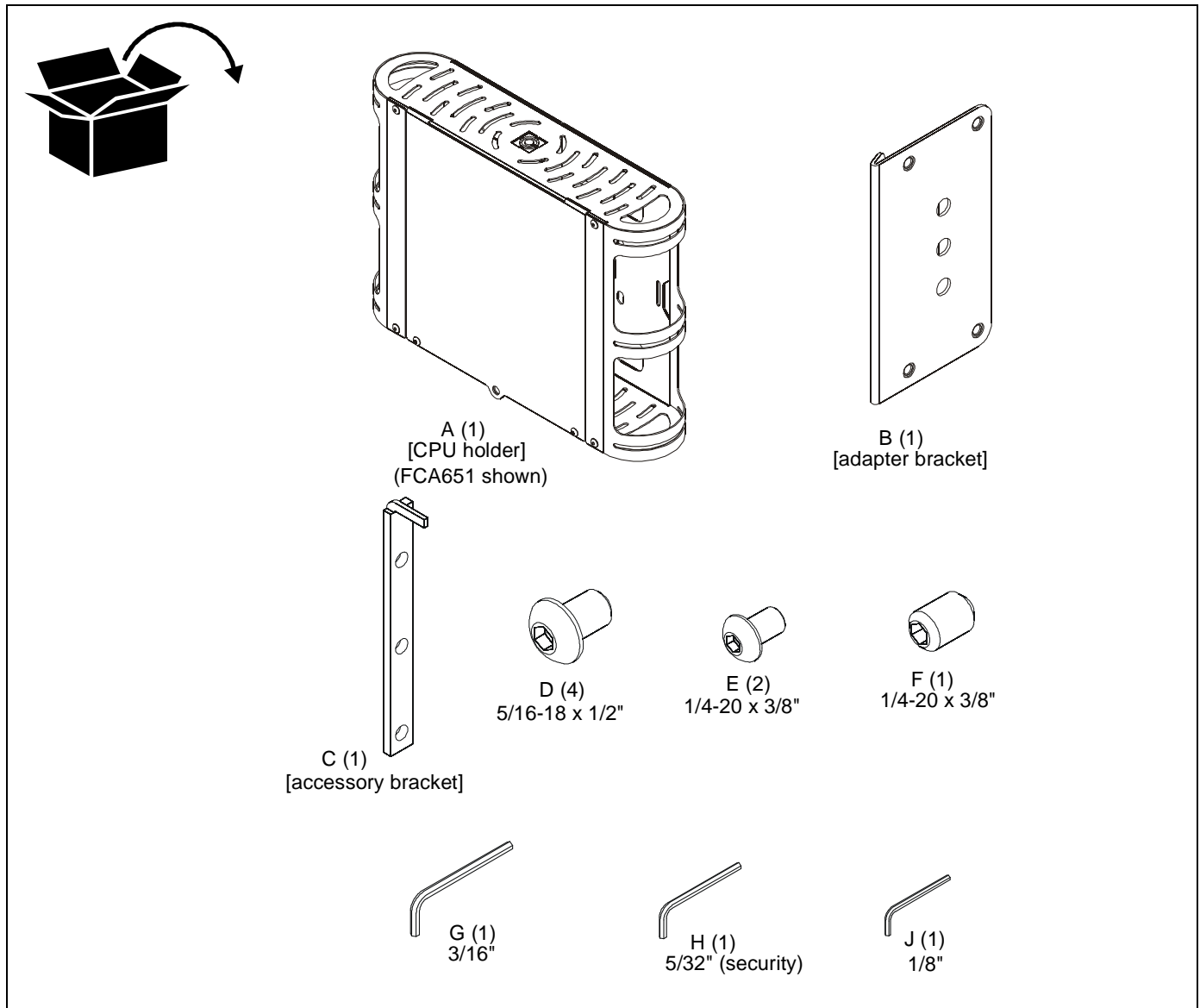
LEGEND

	Tighten Fastener Apretar elemento de fijación Befestigungsteil festziehen Apertar fixador Serrare il fissaggio Bevestiging vastdraaien Serrez les fixations		Pencil Mark Marcar con lápiz Stiftmarkierung Marcar com lápis Segno a matita Potloodmerkteken Marquage au crayon
	Loosen Fastener Aflojar elemento de fijación Befestigungsteil lösen Desapertar fixador Allentare il fissaggio Bevestiging losdraaien Desserrez les fixations		Drill Hole Perforar Bohrloch Fazer furo Praticare un foro Gat boren Percez un trou
	Phillips Screwdriver Destornillador Phillips Kreuzschlitzschraubendreher Chave de fendas Phillips Cacciavite a stella Kruiskopschroevendraaier Tournevis à pointe cruciforme		Adjust Ajustar Einstellen Ajustar Regolare Afstellen Ajuster
	Open-Ended Wrench Llave de boca Gabelschlüssel Chave de bocas Chiave a punte aperte Steeksleutel Clé à fourche		Remove Quitar Entfernen Remover Rimuovere Verwijderen Retirez
	By Hand A mano Von Hand Com a mão A mano Met de hand À la main		Optional Opcional Optional Opcional Opzionale Optie En option
	Hex-Head Wrench Llave de cabeza hexagonal Sechskantschlüssel Chave de cabeça sextavada Chiave esagonale Zeskantsleutel Clé à tête hexagonale		Security Wrench Llave de seguridad Sicherheitsschlüssel Chave de segurança Chiave di sicurezza Veiligheidsleutel Clé de sécurité

TOOLS REQUIRED FOR INSTALLATION



PARTS



Assembly And Installation

NOTE: The following procedure assumes the Fusion Cart/ Stand has already been completely assembled.

IMPORTANT ! : The FCA650/651 has been designed specifically for Chief's Fusion™ Series Carts and Stands. DO NOT attempt to install this CPU holder onto any other cart or stand!

1. Remove back cover from cart/stand. (See Figure 1)
2. Remove column inner cover from cart/stand. (See Figure 1)
3. Remove side cover from cart/stand by sliding it up the side channel on the side where the CPU holder will be installed. (See Figure 1)

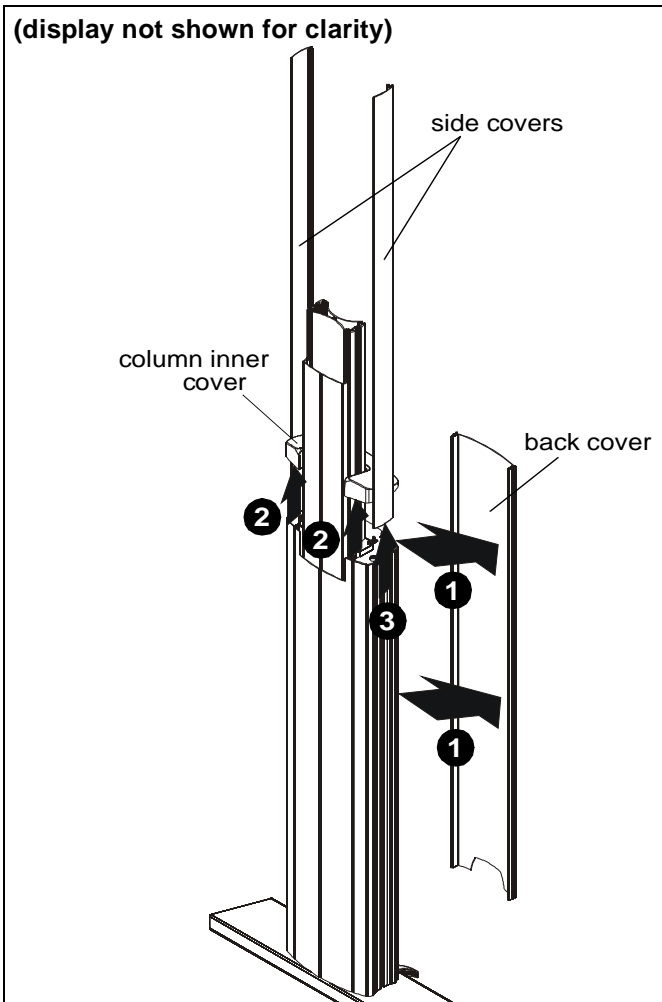


Figure 1

4. Partially install 1/4-20 x 3/8" set screw (F) into accessory bracket (C). (See Figure 2)
5. Slide accessory bracket (C) with set screw into side channel where CPU holder will be installed. (See Figure 2)

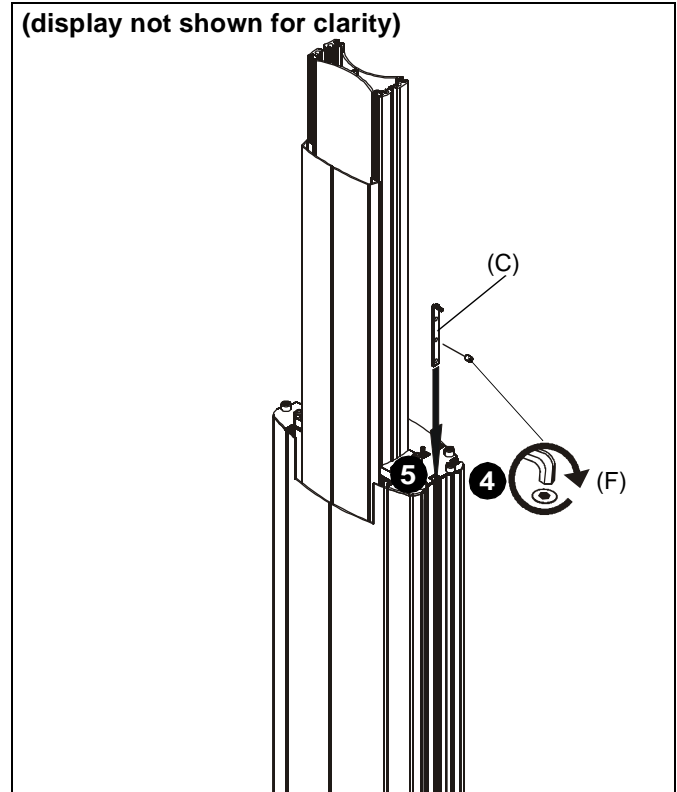


Figure 2

6. Slide accessory bracket up or down in side channel until desired mounting height is reached. (See Figure 3)
7. Tighten set screw (F) to lock bracket in position. (See Figure 3)
8. Use two 1/4-20 x 3/8" button head cap screws (E) to secure adapter bracket (B) to accessory bracket (C). (See Figure 3)

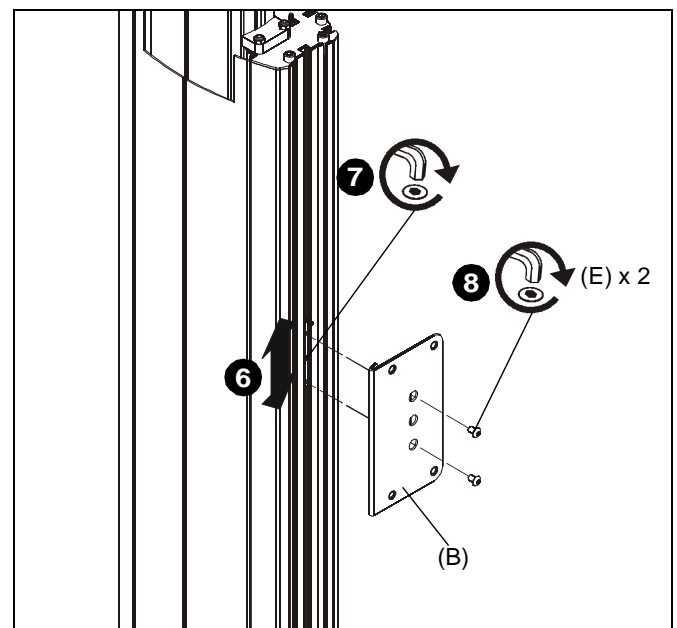


Figure 3

9. Use 5/32" security hex key (H) to remove two security screws holding side panel to CPU holder (A). (See Figure 4)
10. Slide side panel up to remove it from CPU holder. (See Figure 4)

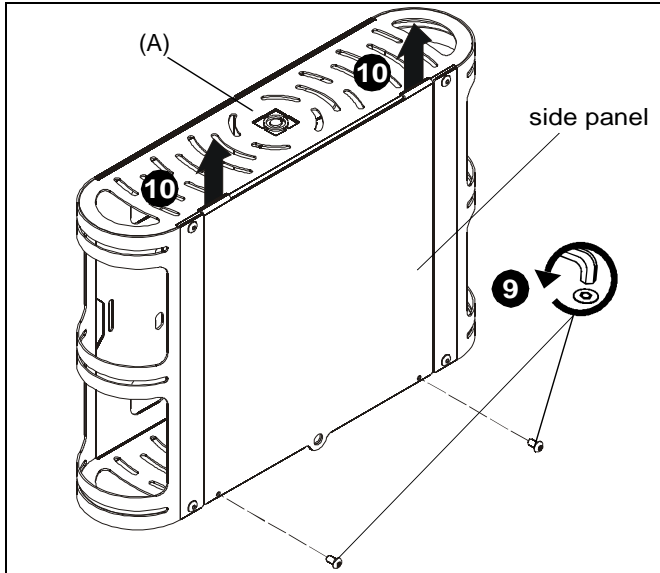


Figure 4

11. Use four 5/16-18 x 1/2" button head cap screws (D) to secure CPU holder (A) to adapter bracket (B). (See Figure 5)

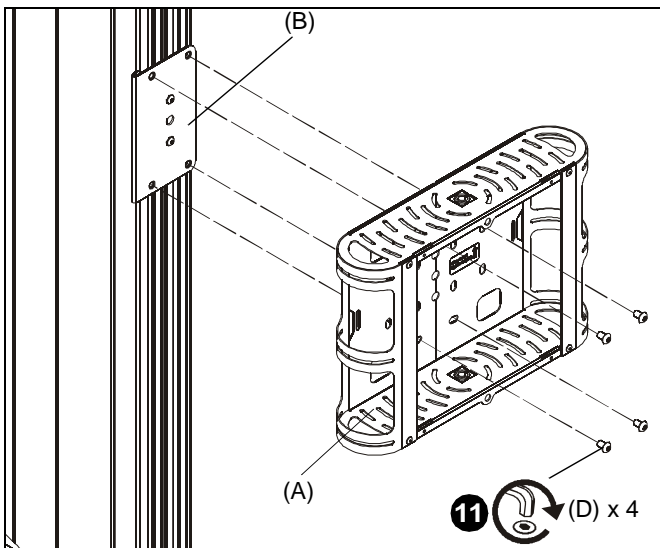


Figure 5

12. Install CPU to CPU holder.



WARNING: Exceeding the weight capacity can result in serious personal injury or damage to equipment! It is the installer's responsibility to make sure the combined weight of all components located within the CPU holder does not exceed 25 lbs (11.34 kg) for the FCA650 or 10 lbs (4.5 kg) for the FCA651.

13. Replace side panel back into its original position on CPU holder (A). (See Figure 6)

14. Use security screws (removed in Step 9) to reattach side panel to CPU holder (A). (See Figure 6)
15. (Optional) Use padlock (not provided) to provide further security to CPU holder. (See Figure 6)

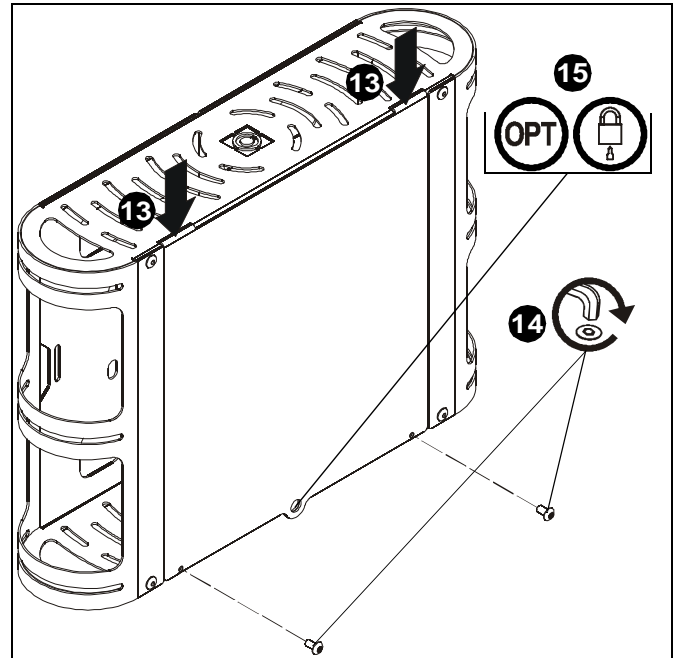


Figure 6

16. Reinstall back cover to cart/stand.
17. Reinstall inner column cover to cart/stand.

Adjustments

Height Adjustment

1. Remove side panel and CPU from CPU holder (A).
2. Loosen set screw (F). (See Figure 7)
3. Loosen two button head cap screws (E). (See Figure 7)
4. Adjust height as desired.
5. Tighten two button head cap screws (E). (See Figure 7)
6. Reinstall CPU and side panel to CPU holder.

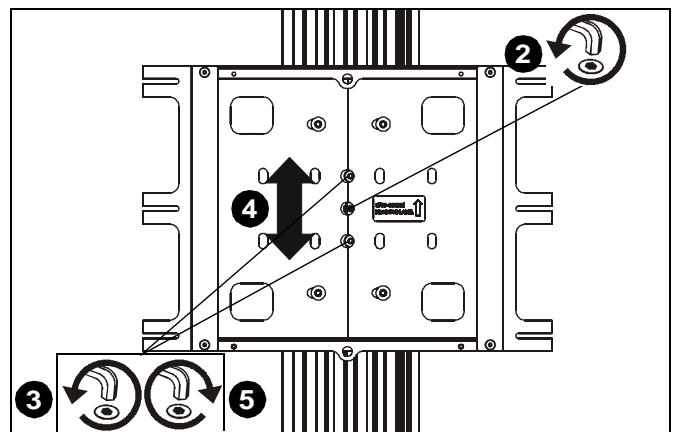


Figure 7



Our Mounts. **Your Vision.**

Chief, a products division of
Milestone AV Technologies

8800-002263 Rev02
©2012 Milestone AV Technologies
www.milestone.com
06/16

USA/International	A 6436 City West Parkway, Eden Prairie, MN 55344 P 800.582.6480 / 952.225.6000 F 877.894.6918 / 952.894.6918
Europe	A Franklinstraat 14, 6003 DK Weert, Netherlands P +31 (0) 495 580 852 F +31 (0) 495 580 845
Asia Pacific	A Office No. 918 on 9/F, Shatin Galleria 18-24 Shan Mei Street Fotan, Shatin, Hong Kong P 852 2145 4099 F 852 2145 4477

