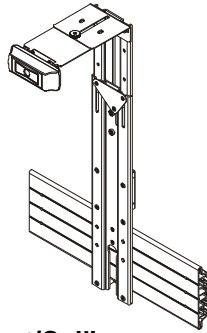


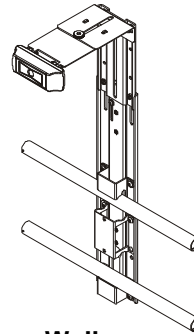
---

# INSTALLATION INSTRUCTIONS

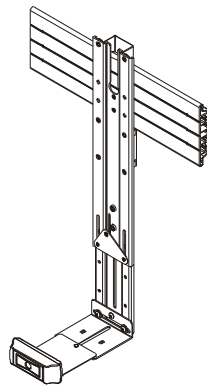
---



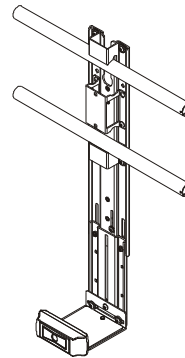
Above Cart/Ceiling



Above Wall



Below Cart/Ceiling



Below Wall

---

## Fusion™ Viewshare Camera Mounting Kits

---

## DISCLAIMER

Milestone AV Technologies and its affiliated corporations and subsidiaries (collectively "Milestone"), intend to make this manual accurate and complete. However, Milestone makes no claim that the information contained herein covers all details, conditions or variations, nor does it provide for every possible contingency in connection with the installation or use of this product. The information contained in this document is subject to change without notice or obligation of any kind. Milestone makes no representation of warranty, expressed or implied, regarding the information contained herein. Milestone assumes no responsibility for accuracy, completeness or sufficiency of the information contained in this document.

Chief® is a registered trademark of Milestone AV Technologies. All rights reserved.

## DEFINITIONS

**MOUNTING SYSTEM:** A MOUNTING SYSTEM is the primary Chief product to which an accessory and/or component is attached.

**ACCESSORY:** AN ACCESSORY is the secondary Chief product which is attached to a primary Chief product, and may have a component attached or setting on it.

**COMPONENT:** A COMPONENT is an audiovisual item designed to be attached or resting on an accessory or mounting system such as a video camera, CPU, screen, display, projector, etc.



**WARNING:** A WARNING alerts you to the possibility of serious injury or death if you do not follow the instructions.



**CAUTION:** A CAUTION alerts you to the possibility of damage or destruction of equipment if you do not follow the corresponding instructions.



## IMPORTANT SAFETY INSTRUCTIONS



**WARNING:** Failure to read, thoroughly understand, and follow all instructions can result in serious personal injury, damage to equipment, or voiding of factory warranty! It is the installer's responsibility to make sure all mounting systems are properly assembled and installed using the instructions provided.



**WARNING:** RISK OF INJURY TO PERSONS! Do not place video equipment such as televisions or computer monitors on FCA800V/VE camera mount surface.



**WARNING:** Use of this accessory will decrease the weight capacity of the mount to which it is attached by the combined weight of the accessory!



**WARNING:** Use this mounting system only for its intended use as described in these instructions. Do not use attachments not recommended by the manufacturer.



**WARNING:** Never operate this mounting system if it is damaged. Return the mounting system to a service center for examination and repair.



**WARNING:** Do not use this product outdoors.



**WARNING:** RISK OF INJURY TO PERSONS! Do not use this mounting system to support video equipment such as televisions or computer monitors.

**IMPORTANT ! :** Make sure the system meets the following requirements.

- Windows® 7, 8, 8.1 or higher
- Mac OS® X 10.7 or higher

With:

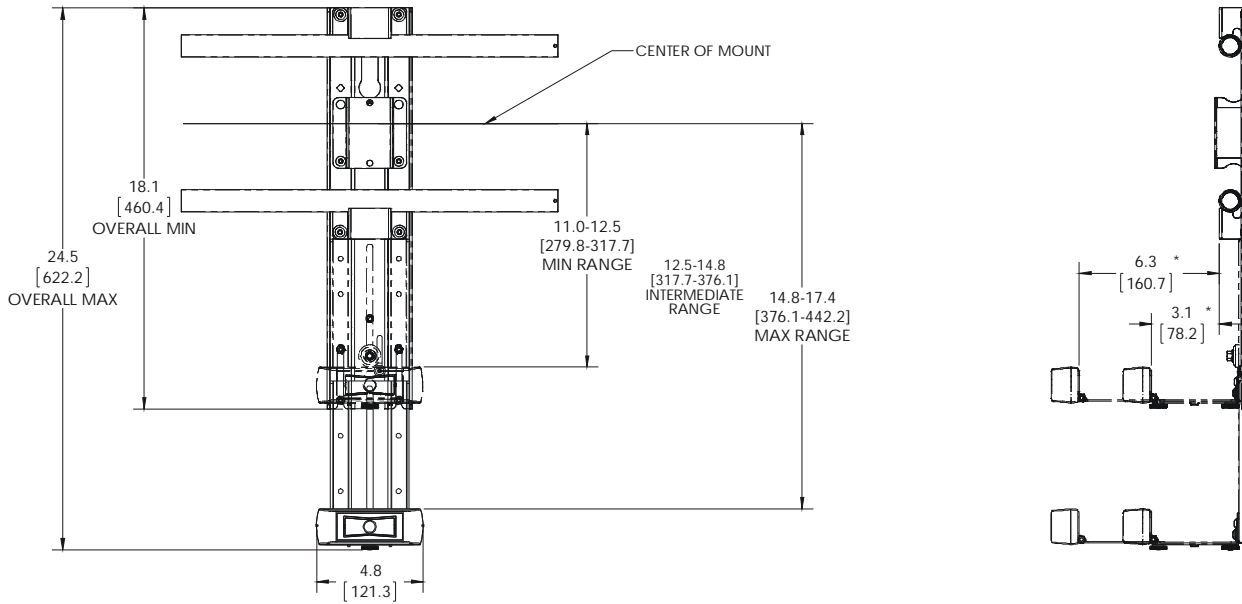
- 2.4GHz Intel® Core 2 Duo Processor
- 2GB RAM or more
- USB 2.0 port (USB 3.0 ready)

**NOTE:** Refer to milestone.com for the latest software compatibility requirements.

**--SAVE THESE INSTRUCTIONS--**

**DIMENSIONS**

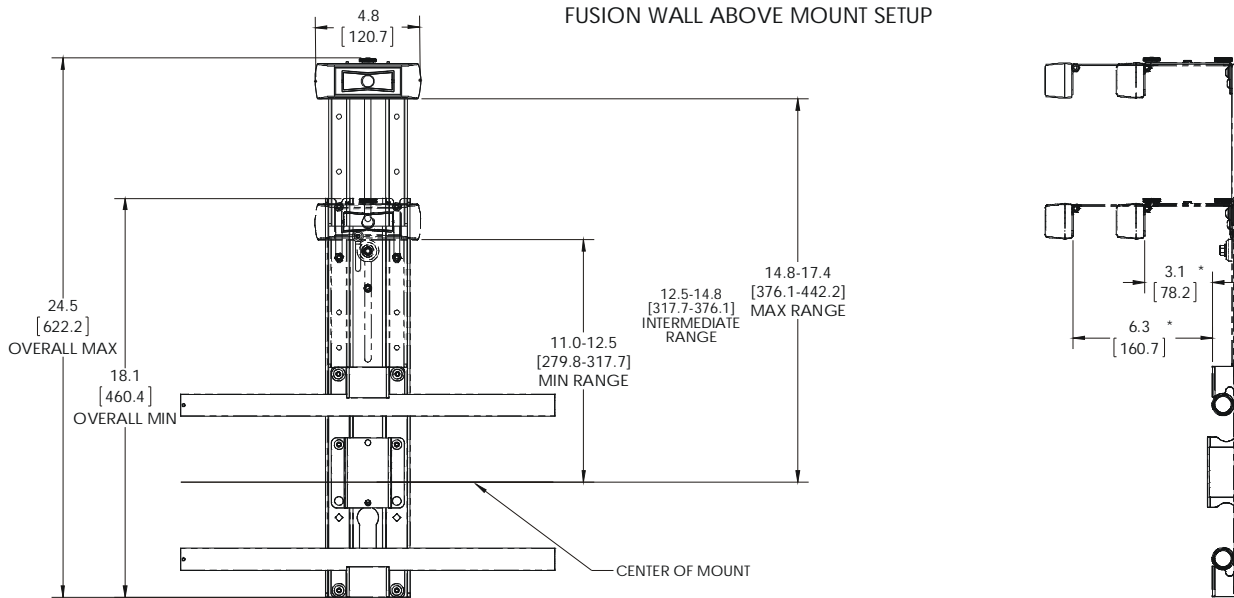
FUSION WALL BELOW MOUNT SETUP



(\*)NOTES:

- TYPICAL FUSION INTERFACES ARE 0.625" [15.9] DEEP

FUSION WALL ABOVE MOUNT SETUP

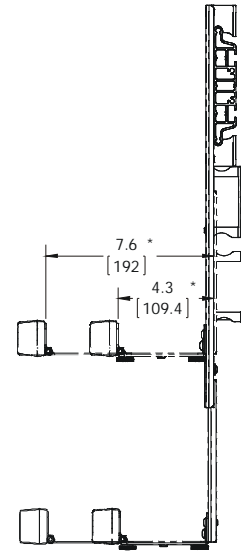
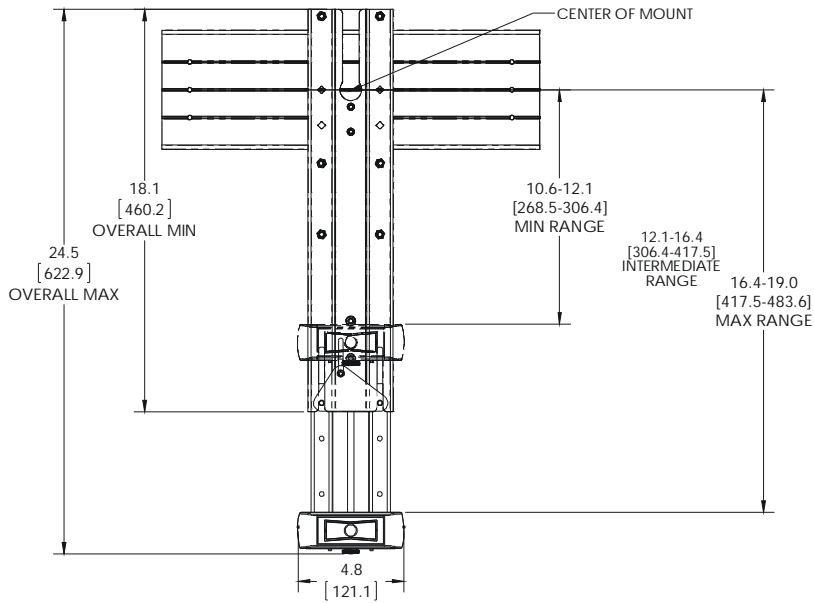


(\*)NOTES:

- TYPICAL FUSION INTERFACES ARE 0.625" [15.9] DEEP

**DIMENSIONS (CONTINUED)**

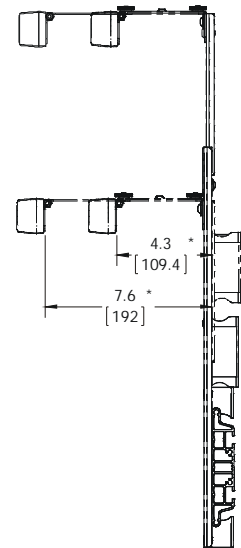
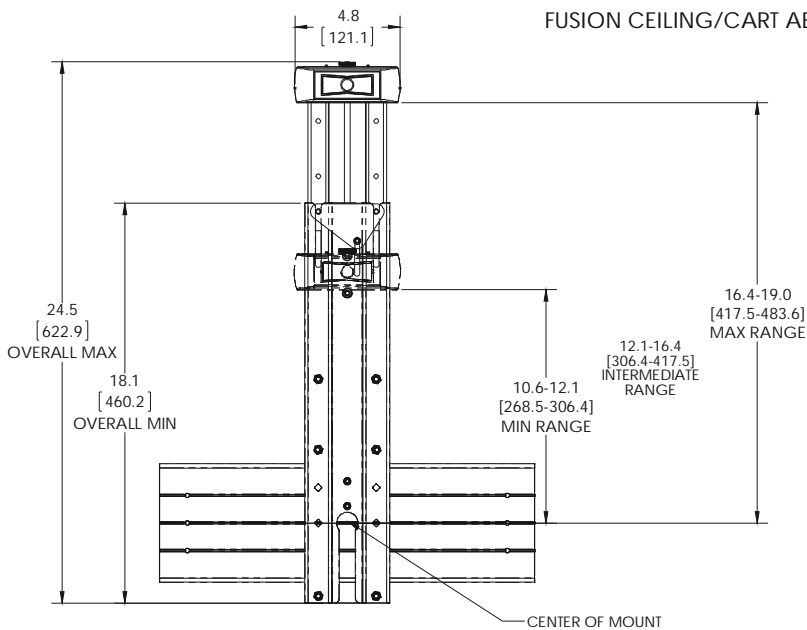
FUSION CEILING/CART BELOW MOUNT SETUP



(\*)NOTES:

- TYPICAL SINGLE DISPLAY MODELS HAVE INTERFACE DEPTHS 0.5" [12.7]
- TYPICAL DUAL DISPLAY MODELS HAVE INTERFACE DEPTHS 1.9" [48.3]
- FCA623 DUAL MONITOR INTERFACES ARE 1.4" DEEP [35.6]

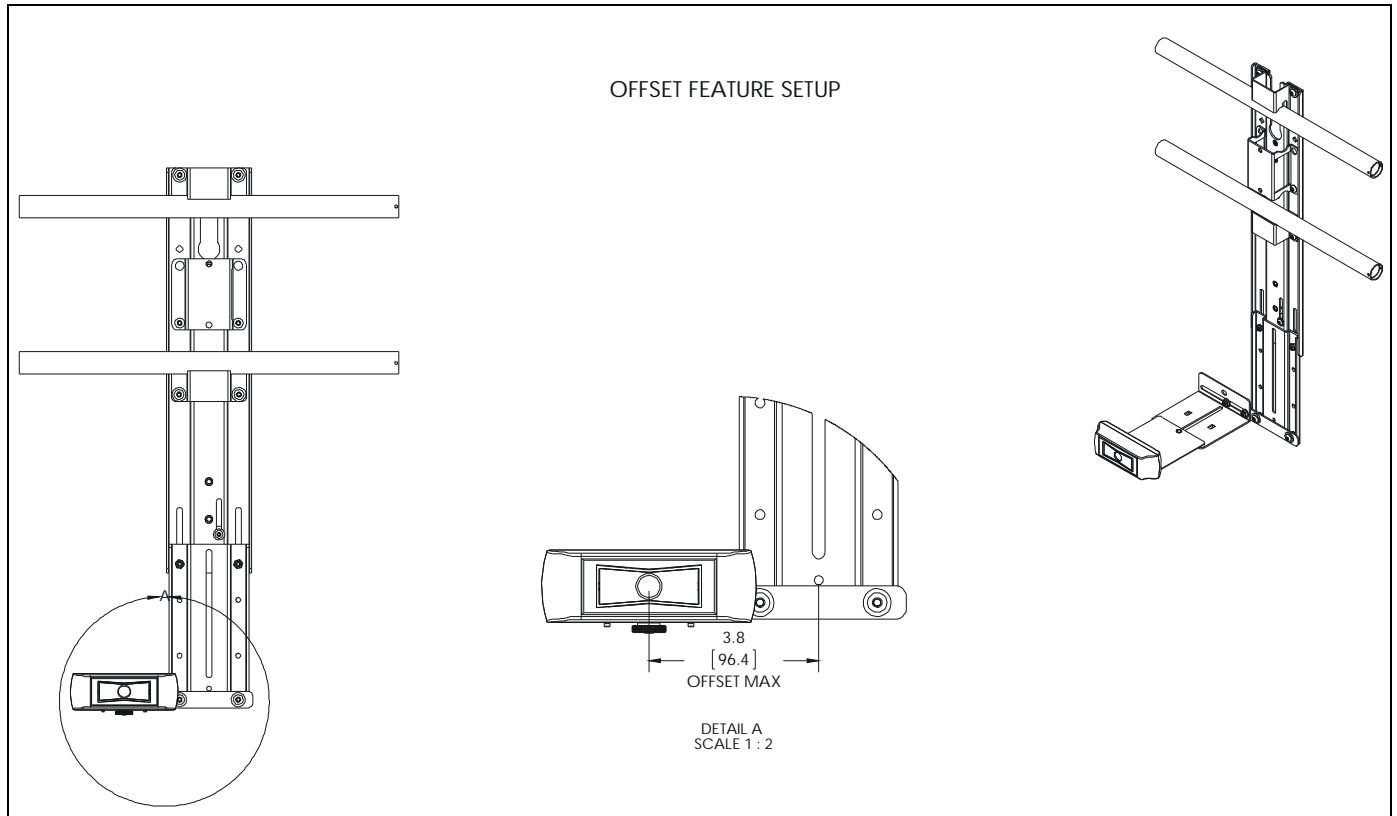
FUSION CEILING/CART ABOVE MOUNT SETUP



(\*)NOTES:

- TYPICAL SINGLE DISPLAY MODELS HAVE INTERFACE DEPTHS 0.5" [12.7]
- TYPICAL DUAL DISPLAY MODELS HAVE INTERFACE DEPTHS 1.9" [48.3]
- FCA623 DUAL MONITOR INTERFACES ARE 1.4" DEEP [35.6]

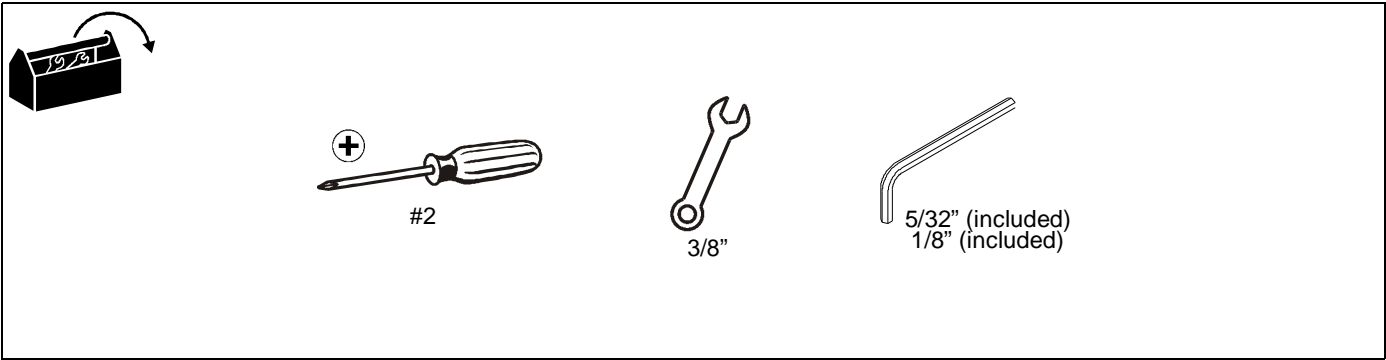
**DIMENSIONS (CONTINUED)**



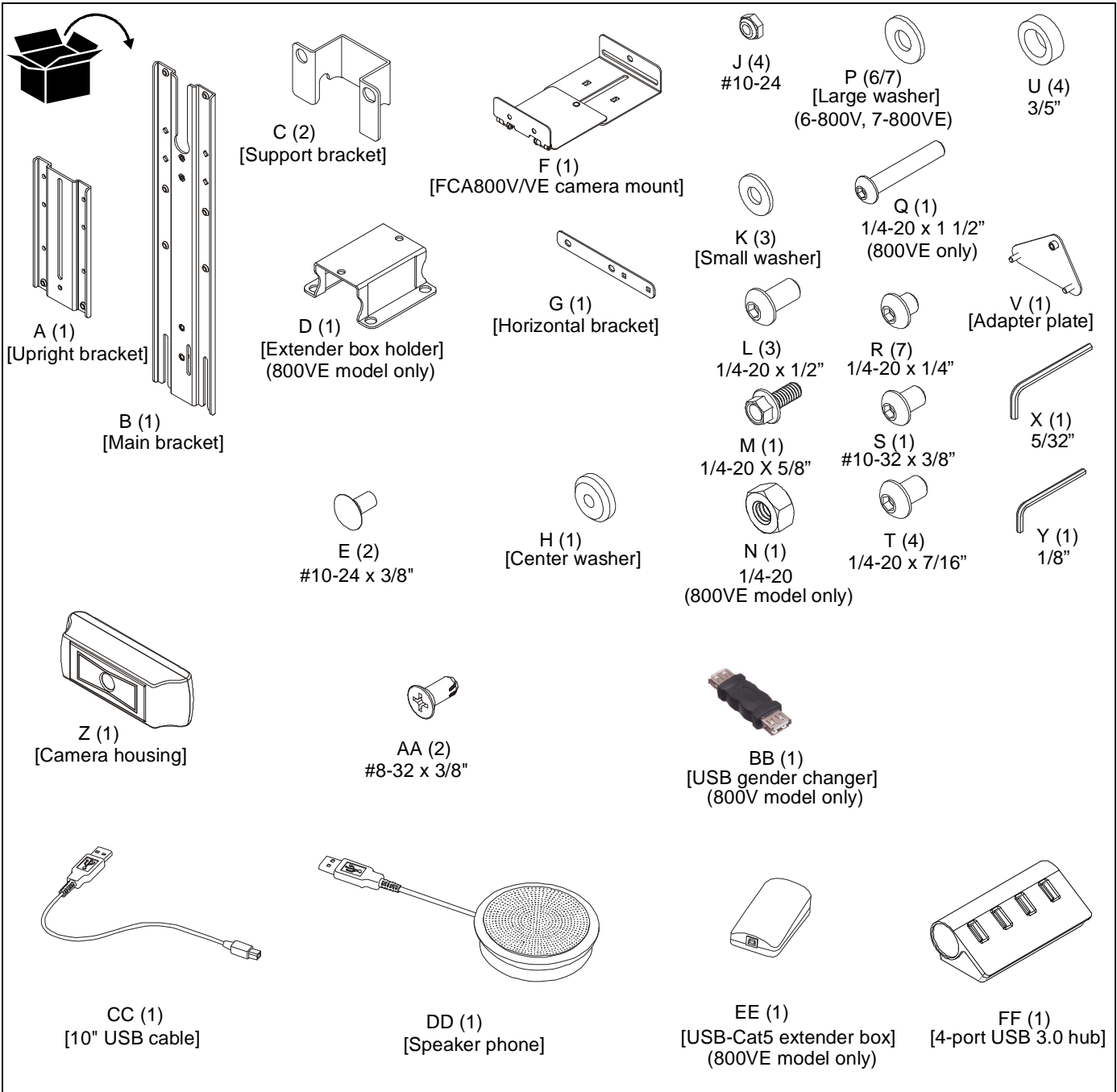
**LEGEND**

	<b>Tighten Fastener</b>
	Apretar elemento de fijación
	Befestigungsteil festziehen
	Apertar fixador
	Serrare il fissaggio
	Bevestiging vastdraaien
Serrez les fixations	
	<b>Loosen Fastener</b>
	Aflojar elemento de fijación
	Befestigungsteil lösen
	Desapertar fixador
	Allentare il fissaggio
	Bevestiging losdraaien
Desserrez les fixations	
	<b>Hex-Head Wrench</b>
	Llave de cabeza hexagonal
	Sechskantschlüssel
	Chave de cabeça sextavada
	Chiave esagonale
	Zeskantsleutel
Clé à tête hexagonale	
	<b>Phillips Screwdriver</b>
	Destornillador Phillips
	Kreuzschlitzschraubendreher
	Chave de fendas Phillips
	Cacciavite a stella
	Kruiskopschroevendraaier
Tournevis à pointe cruciforme	
	<b>Open-Ended Wrench</b>
	Llave de boca
	Gabelschlüssel
	Chave de bocas
	Chiave a punte aperte
	Steeksleutel
Clé à fourche	

**TOOLS REQUIRED FOR INSTALLATION**



**PARTS**



## ASSEMBLY AND INSTALLATION

### Below Installation

**NOTE:** FCA800V/VE camera mounts may be installed above or below displays. To install above display, proceed to "Above Installation" Section.

#### Assembling Camera Mount to Upright Bracket

1. Attach camera housing (Z) to camera mount (F) using two #8-32 x 3/8" Phillips flat head machine screws (AA). (See Figure 1)

**IMPORTANT ! :** Make sure straight slot on camera housing is pointing in the proper direction. (See Figure 1)

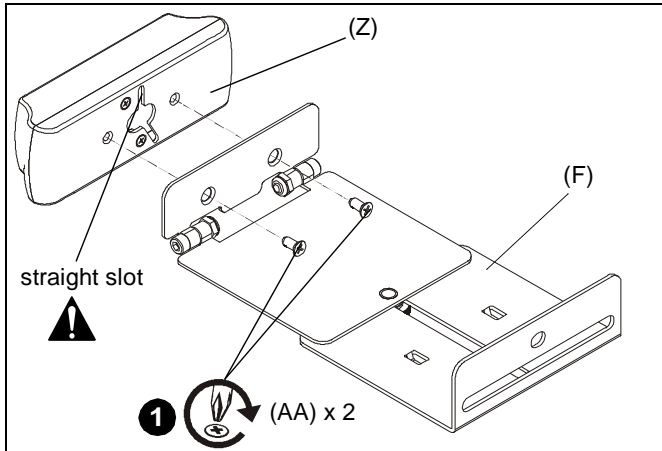


Figure 1

2. **(Standard to cart/ceiling)** Use three 1/4-20 x 1/2" button head cap screws (L) and two large washers (P) to secure camera mount (F) to upright bracket (A). (See Figure 2)

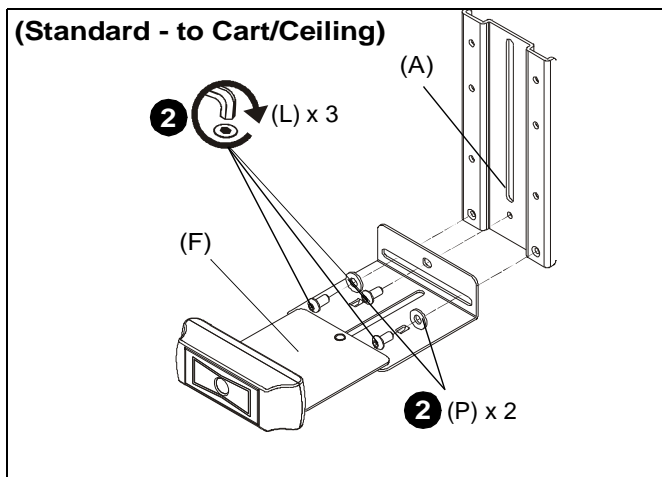


Figure 2

3. **(Standard to wall)** Use two 1/4-20 x 1/2" button head cap screws (L), two large washers (P) and one 1/4-20 x 1/4" button head cap screw (R) to secure camera mount (F) to upright bracket (A). (See Figure 3)

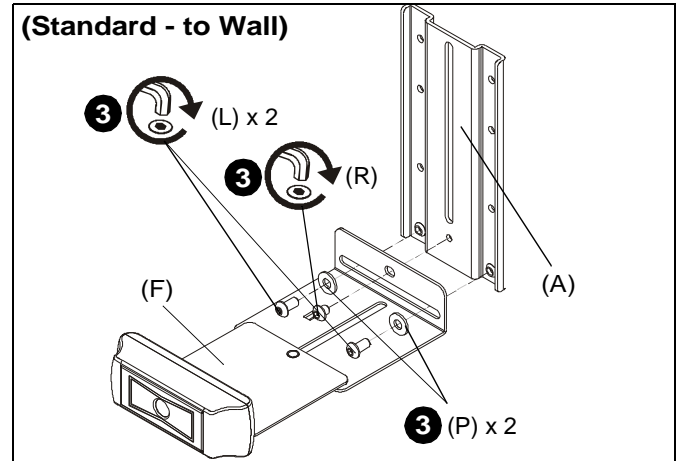


Figure 3

**NOTE:** If camera must be offset to one side or the other, attach camera mount (F) to upright bracket (A) as shown in Steps 4 and 5.

4. **(Offset)** Use two 1/4-20 x 1/2" button head cap screws (L) and two large washers (P) to secure horizontal bracket (G) to upright bracket (A). (See Figure 4)
5. **(Offset)** Use two #10-24 lock nuts (J), two small washers (K) and two round head carriage bolts (E) to secure camera mount (F) to horizontal bracket (G). (See Figure 4)

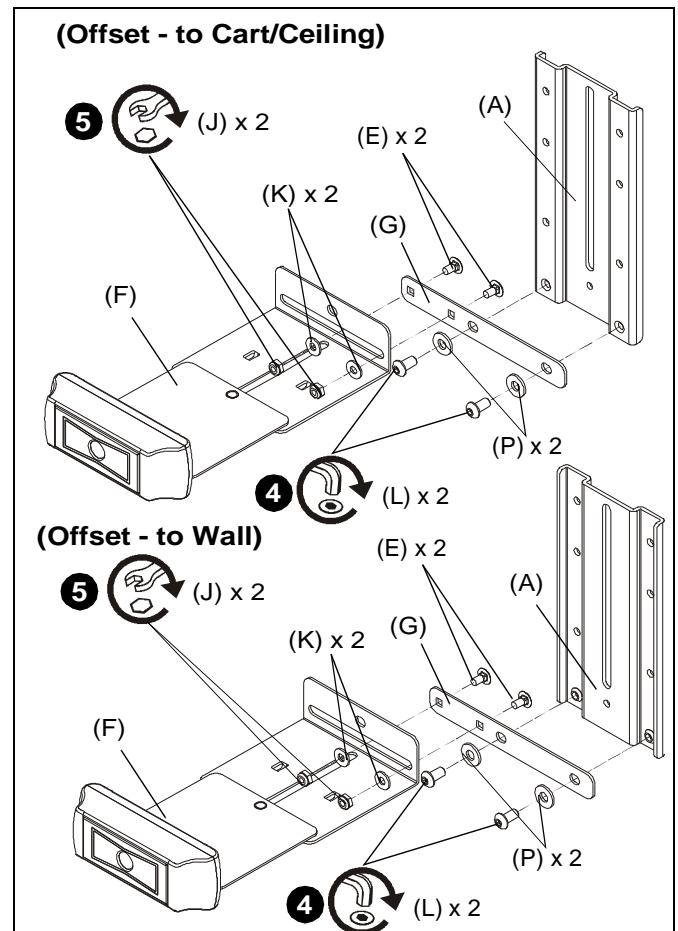


Figure 4

### Attaching Accessory to Wall Mount

**NOTE:** If attaching to cart or ceiling mount, proceed to **Attach Accessory to Cart/Ceiling Section**.

1. Use two 1/4-20 x 1/4" button head cap screws (R) and two large washers (P) to secure support bracket (C) to main bracket (B). (See Figure 5)



**CAUTION:** Slide bracket with caution so that the bracket does not scratch or damage the wall!

2. Slide main bracket (B) behind wall mount rails until support bracket (C) rests on top of wall mount rail. (See Figure 5)

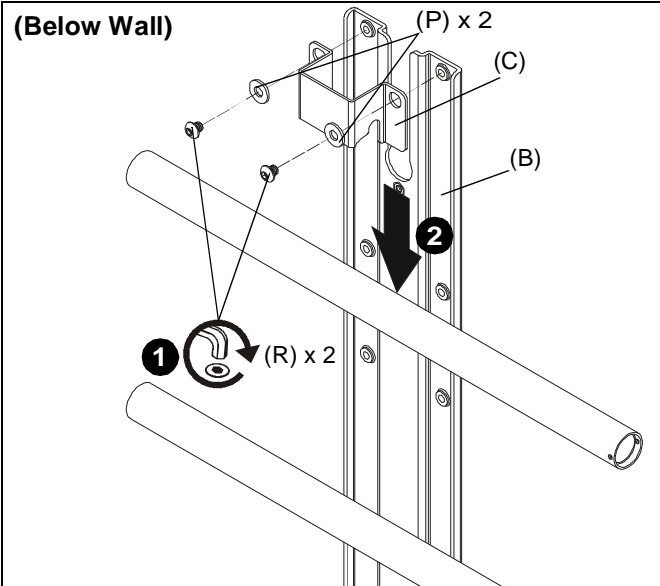


Figure 5

3. Slide second support bracket (C) underneath lower rail on wall mount, lining up holes on support bracket (C) to main bracket (B). (See Figure 6)
4. Use two 1/4-20 x 1/4" button head cap screws (R) and two large washers (P) to secure support bracket (C) to main bracket (B). (See Figure 6)

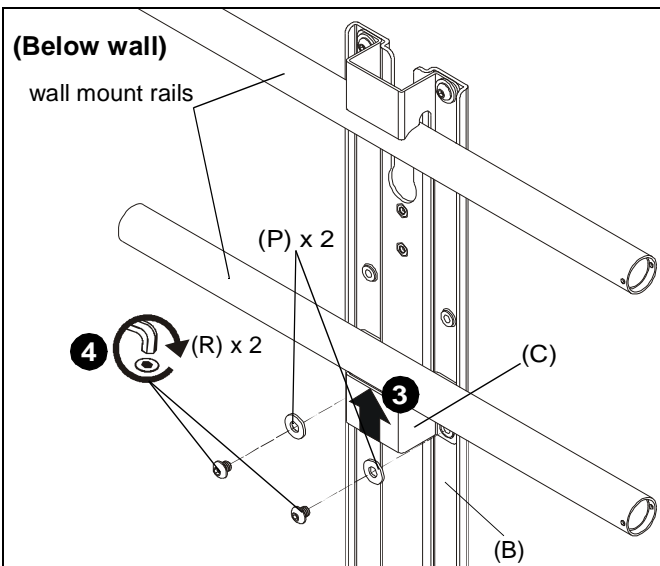


Figure 6

**NOTE:** Refer to Table 1 and dimension drawings on pages 3-4 to determine the extension level based on extension distance from mount center.

Table 1: Below Wall Mount

Extension distance from center of mount (in.)	
11.0-12.5	Minimum
12.5-14.8	Intermediate
14.8-17.4	Maximum

5. (For **maximum extension**) Use #10-32 x 3/8" button head cap screw (S) and small washer (K) to secure adapter plate (V) to main bracket (B). (See Figure 7)
6. (For **maximum extension**) Use two #10-24 lock nuts (J) to secure upright bracket (A) to main bracket (B) and adapter plate (V). (See Figure 7)

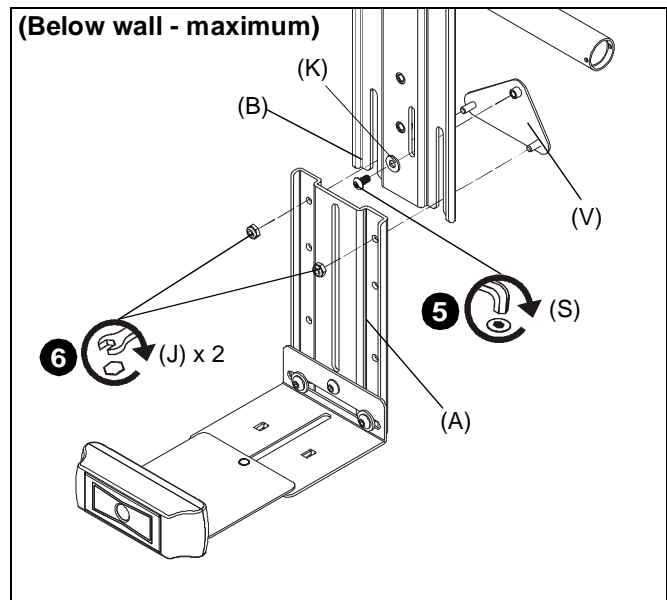


Figure 7



- (For **minimum/intermediate extension**) Use two #10-24 lock nuts (J) to secure upright bracket (A) to main bracket (B) and adapter plate (V). (See Figure 8)

**NOTE:** Minimum configuration is shown below. Intermediate configuration is possible depending on which holes are used.

- (For **minimum/intermediate extension**) Use 1/4-20 x 5/8" hex head flange bolt (M) and center washer (H) to secure upright bracket (A) to main bracket (B). (See Figure 8)

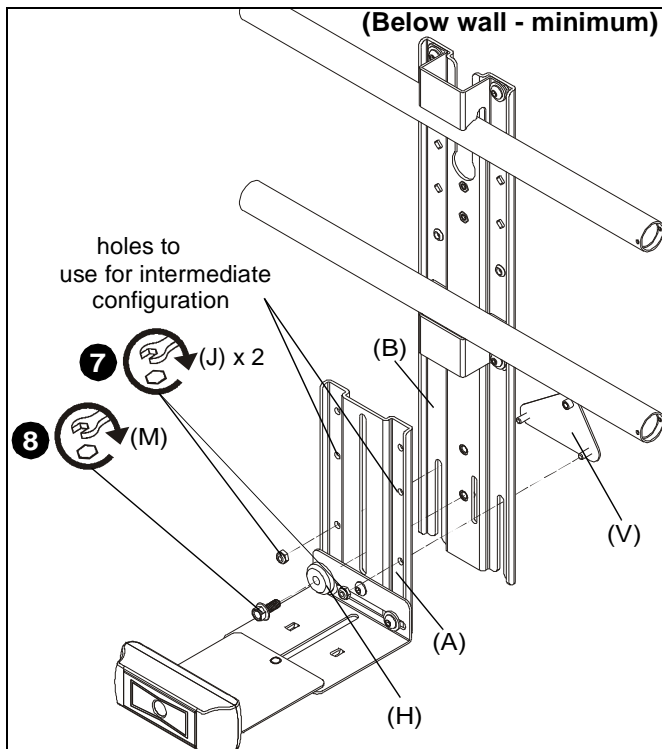


Figure 8

**Attaching Accessory to Cart/Ceiling Mount**

**IMPORTANT !** : If installing to a 2x1 display cart using the FCA623 accessory, proceed to "Installing to FCA623 Accessory" Section (Step 6).

- Use two 1/4-20 x 1/4" button head cap screws (R) and two large washers (P) to secure support bracket (C) to main bracket (B). (See Figure 9)
- Slide main bracket (B) onto front of cart/ceiling mount head assembly until support bracket (C) rests on top of head assembly. (See Figure 9)

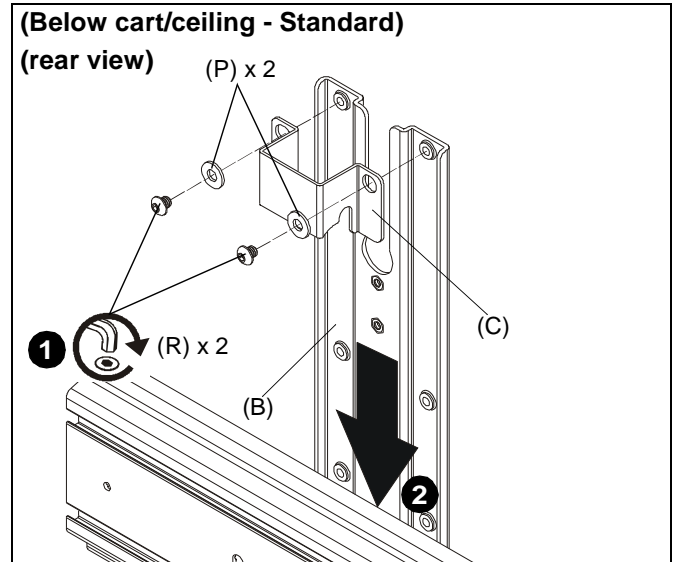


Figure 9

- Slide second support bracket (C) underneath cart/ceiling mount head assembly, lining up holes on support bracket (C) to holes on main bracket (B). (See Figure 10)
- Use two 1/4-20 x 1/4" button head cap screws (R) and two large washers (P) to secure support bracket (C) to main bracket (B). (See Figure 10)

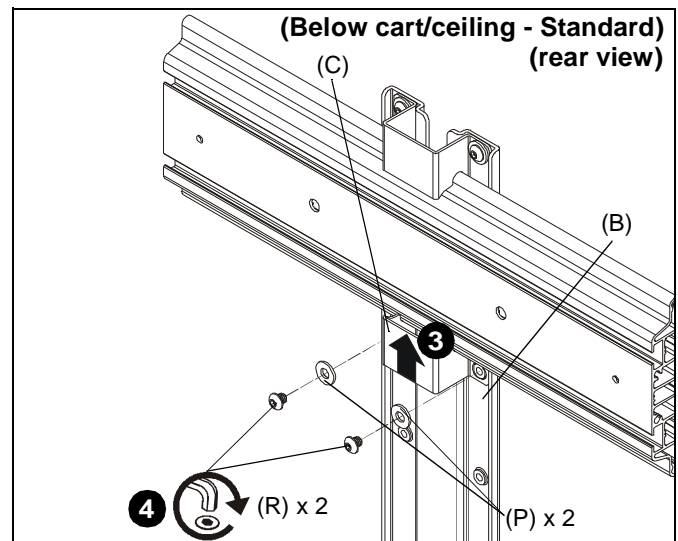


Figure 10

- Proceed to Step 11.

### Installing to FCA623 Accessory

**IMPORTANT !** : Steps 6-10 only apply if installing to FCA623 accessory.

6. Use two 1/4-20 x 7/16" button head cap screws (T), two large washers (P) and two 3/5" spacers (U) to secure support bracket (C) to main bracket (B). (See Figure 11)
7. Slide main bracket (B) onto front of cart/ceiling mount head assembly until support bracket (C) rests on top of cart mount head assembly. (See Figure 11)

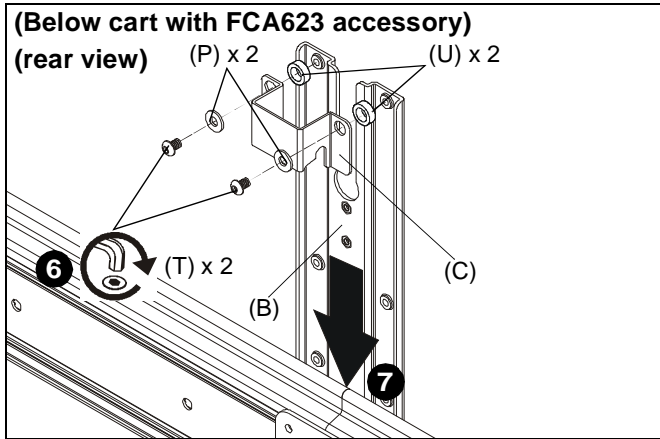


Figure 11

8. Slide second support bracket (C) underneath cart mount head assembly, lining up holes in support bracket (C) to holes on main bracket (B). (See Figure 12)
9. Slide two 3/5" spacers (U) in between support bracket (C) and main bracket (B). (See Figure 12)
10. Use two 1/4-20 x 7/16" button head cap screws (T) and two large washers (P) to secure support bracket (C) to main bracket (B). (See Figure 12)

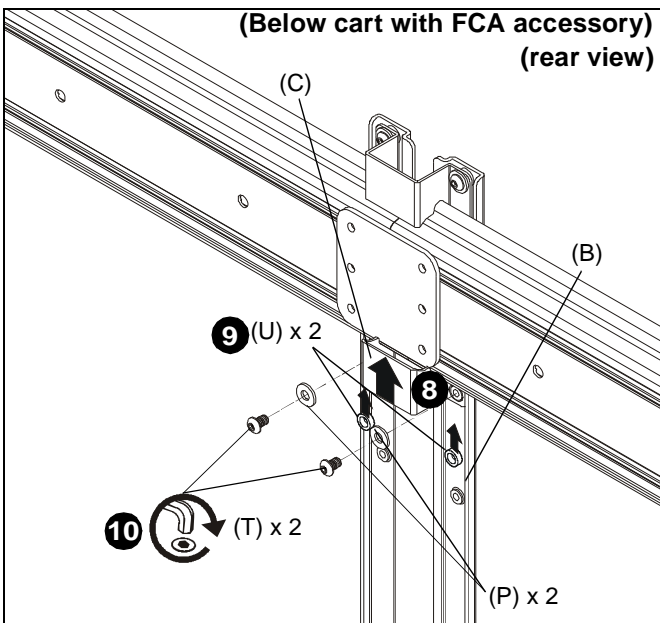


Figure 12

**NOTE:** Refer to Table 2 and dimension drawings on pages 3-4 to determine the extension level based on extension distance from mount center.

Table 2: Below Cart/Ceiling Mount

Extension distance from center of mount (in.)	
10.6-12.1	Minimum
12.1-16.4	Intermediate
16.4-19.0	Maximum

11. (For **maximum extension**) Use #10-32 x 3/8" button head cap screw (S) and small washer (K) to secure adapter plate (V) to main bracket (B). (See Figure 13)
12. (For **maximum extension**) Use two #10-24 lock nuts (J) to secure upright bracket (A) to main bracket (B) and adapter plate (V). (See Figure 13)

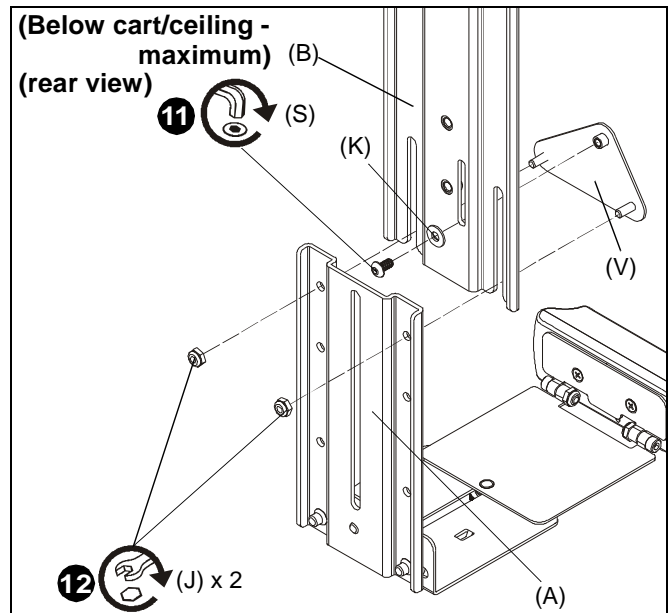


Figure 13

13. (For **Intermediate extension**) Use 1/4-20 x 5/8" hex head flange bolt (M) and center washer (H) to secure upright bracket (A) to main bracket (B). (See Figure 14)
14. (For **Intermediate extension**) Use two #10-24 lock nuts (J) to secure upright bracket (A) to main bracket (B) and adapter plate (V). (See Figure 14)

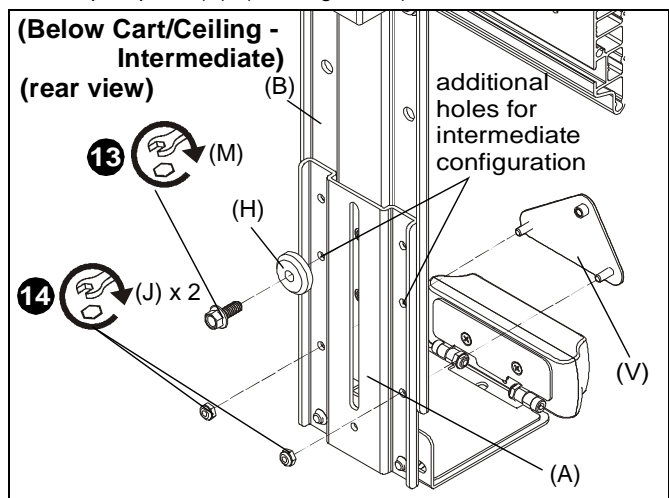


Figure 14

**NOTE:** For minimum extension on the FCA800VE model, the extender box holder (D) may be installed as part of the installation of the camera mount to the main bracket. Skip Step 16 if mounting the FCA800VE to minimum extension and installing the extender box holder (D).

15. (For **minimum extension**) Slide upright bracket (A) behind main bracket (B). (See Figure 15)
16. (For **minimum extension - 800V or VE**) Use 1/4-20 x 5/8" hex head flange bolt (M) and center washer (H) to secure upright bracket (A) to main bracket (B). (See Figure 15)

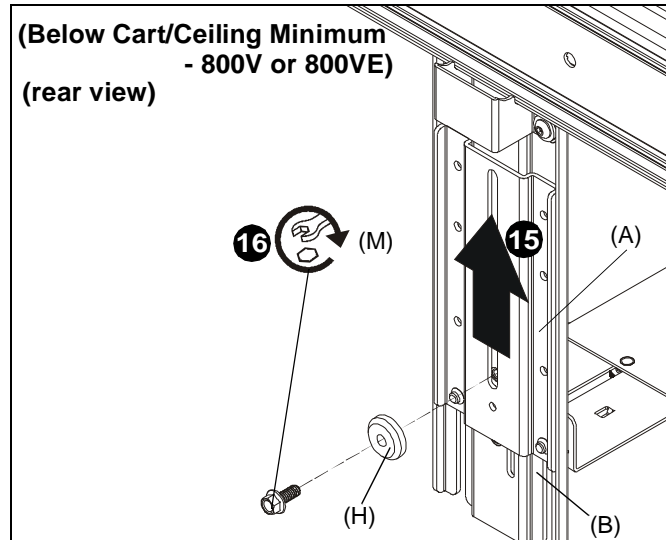


Figure 15

17. (For **minimum extension - 800VE only**) Use 1/4-20 x 1 1/2" button head cap screw (Q) and 1/4-20 hex nut (N) and large washer (P) to secure extender box holder (D) and upright bracket (A) to main bracket (B). (See Figure 16)
18. (For **minimum extension - 800VE only**) Tighten 1/4-20 hex nut (N) to fully secure upright bracket (A) to main bracket (B). (See Figure 16)

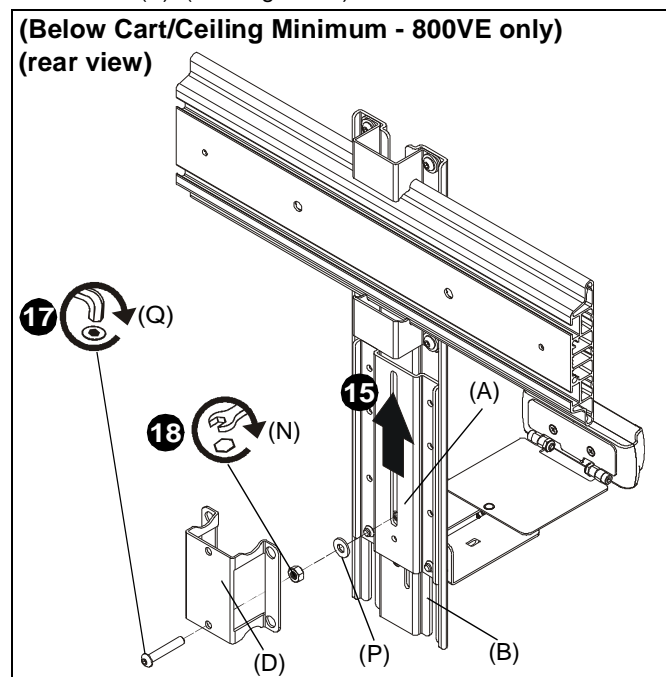


Figure 16

## Above Installation

### Assembling Camera Mount to Upright Bracket

1. Attach camera housing (Z) to camera mount (F) using two #8-32 x 3/8" Phillips flat head machine screws (AA). (See Figure 17)

**IMPORTANT ! :** Make sure straight slot on camera housing is pointing in the proper direction. (See Figure 17)

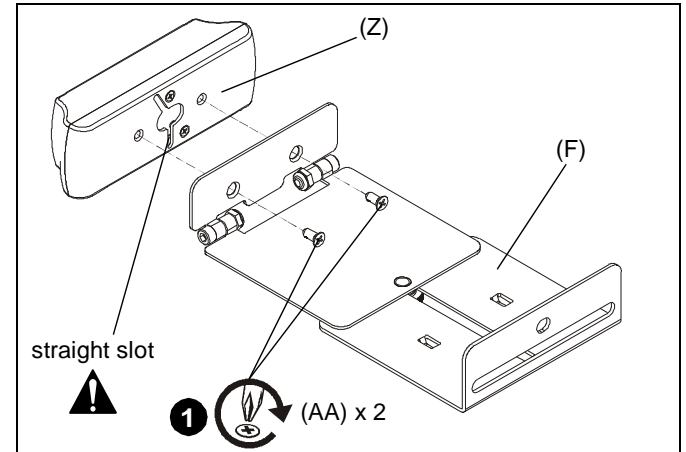


Figure 17

2. (**Standard to cart/ceiling**) Use three 1/4-20 x 1/2" button head cap screws (L) and two large washers (P) to secure camera mount (F) to upright bracket (A). (See Figure 18)

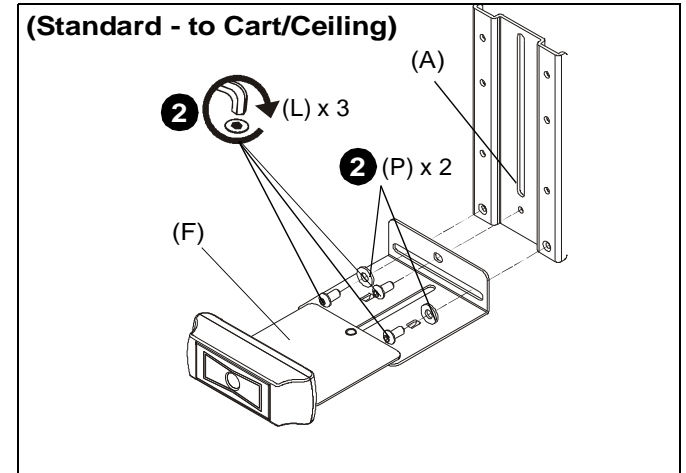


Figure 18

3. **(Standard to wall)** Use two 1/4-20 x 1/2" button head cap screws (L), two large washers (P) and one 1/4-20 x 1/4" button head cap screw (R) to secure camera mount (F) to upright bracket (A). (See Figure 19)

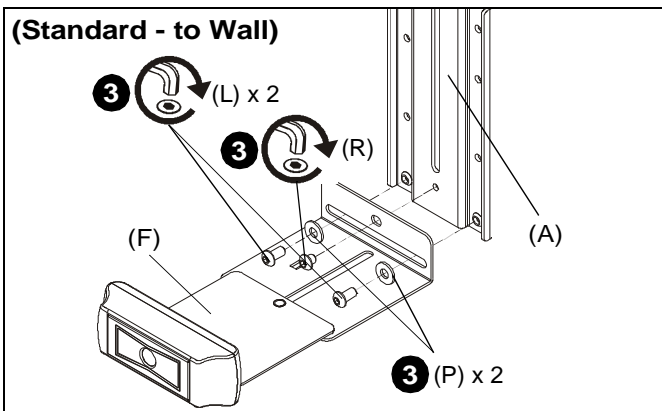


Figure 19

**NOTE:** If camera must be offset to one side or the other, attach camera mount (F) to upright bracket (A) as shown in Steps 4 and 5.

4. **(Offset)** Use two 1/4-20 x 1/2" button head cap screws (L) and two large washers (P) to secure horizontal bracket (G) to upright bracket (A). (See Figure 20)
5. **(Offset)** Use two #10-24 lock nuts (J), two small washers (K) and two round head carriage bolts (E) to secure camera mount (F) to horizontal bracket (G). (See Figure 20)

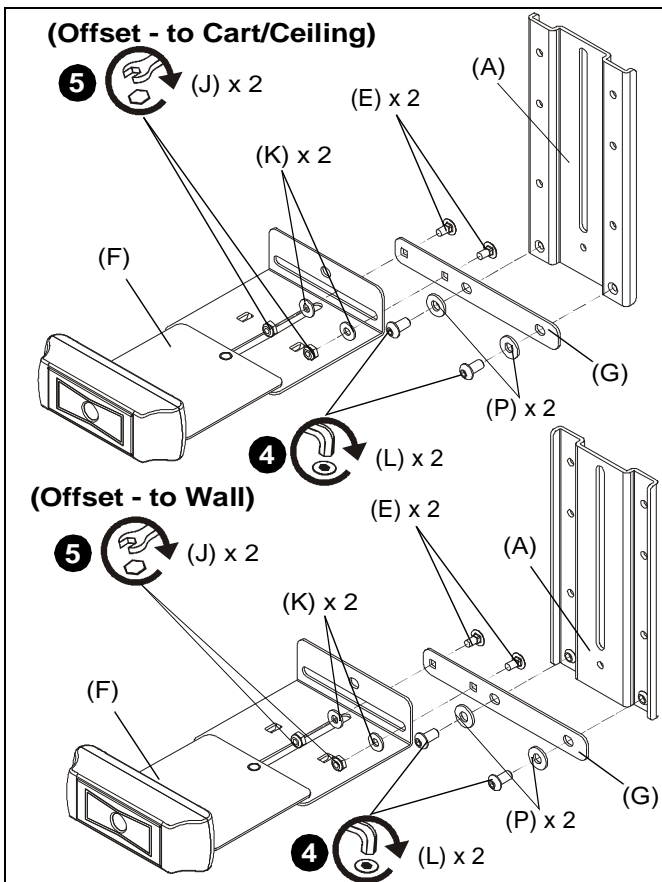


Figure 20

### Attaching Accessory to Wall Mount

1. Use two 1/4-20 x 1/4" button head cap screws (R) and two large washers (P) to secure support bracket (C) to main bracket (B). (See Figure 21)



**CAUTION:** Slide bracket with caution so that the bracket does not scratch or damage the wall!

2. Slide main bracket (B) behind wall mount rails until support bracket (C) rests on top wall mount rail. (See Figure 21)

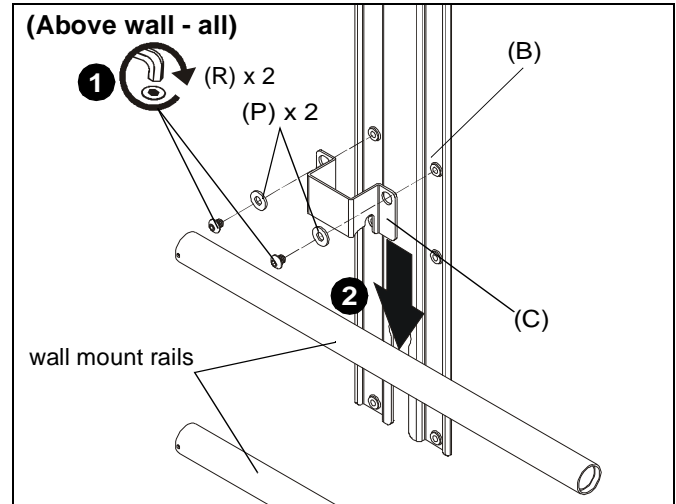


Figure 21

3. Slide second support bracket (C) underneath lower rail on wall mount, lining up holes on support bracket (C) to holes on main bracket (B). (See Figure 22)
4. Use two 1/4-20 x 1/4" button head cap screws (R) and two large washers (P) to secure support bracket (C) to main bracket (B). (See Figure 22)

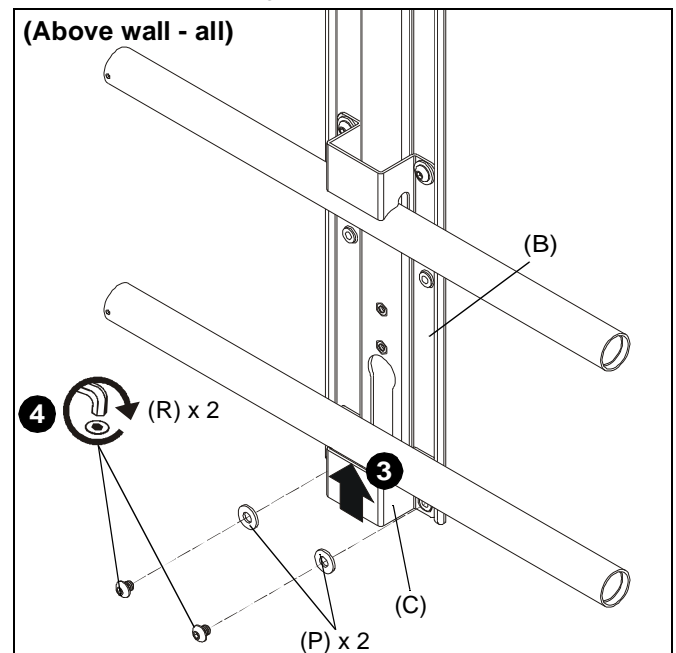


Figure 22

**NOTE:** Refer to Table 3 and dimension drawings on pages 3-4 to determine the extension level based on extension distance from mount center.

Table 3: Above Wall Mount

Extension distance from center of mount (in.)	
11.0-12.5	Minimum
12.5-14.8	Intermediate
14.8-17.4	Maximum

- (For **maximum extension**) Use #10-32 x 3/8" button head cap screw (S) and small washer (K) to secure adapter plate (V) to main bracket (B). (See Figure 23)
- (For **maximum extension**) Use two #10-24 lock nuts (J) to secure upright bracket (A) to main bracket (B) and adapter plate (V). (See Figure 23)

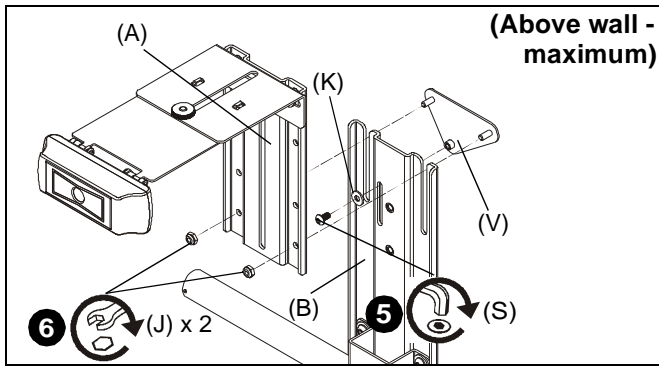


Figure 23

- (For **minimum/intermediate extension**) Use two #10-24 lock nuts (J) to secure upright bracket (A) to main bracket (B) and adapter plate (V). (See Figure 24)
- (For **minimum/intermediate extension**) Use 1/4-20 x 5/8" hex head flange bolt (M) and center washer (H) to secure upright bracket (A) to main bracket (B). (See Figure 24)

**NOTE:** Minimum configuration is shown below. Intermediate configuration is possible depending on which holes are used.

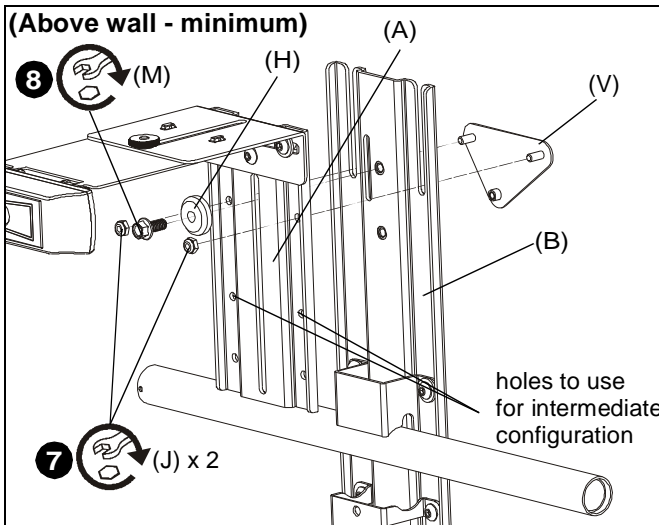


Figure 24

**Attaching Accessory to Cart/Ceiling Mount**

**IMPORTANT !** : If installing to a 2x1 display cart using the FCA623 accessory, proceed to "Installing to FCA623 Accessory" Section (Step 6).

- Use two 1/4-20 x 1/4" button head cap screws (R) and two large washers (P) to secure support bracket (C) to main bracket (B). (See Figure 25)
- Slide main bracket (B) onto front of cart/ceiling mount head assembly until support bracket (C) rests on top of head assembly. (See Figure 25)

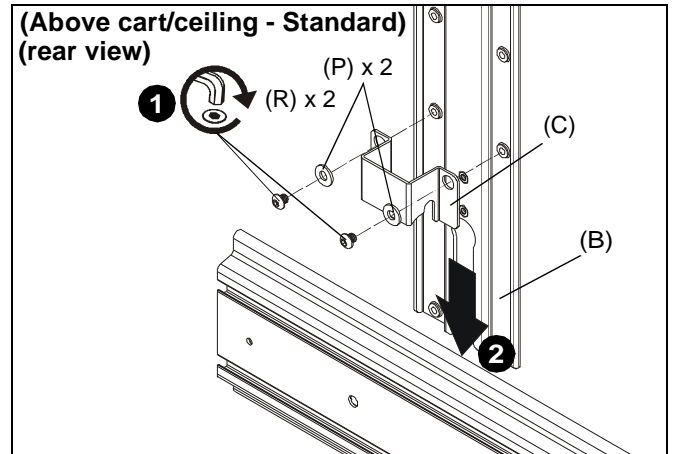


Figure 25

- Slide second support bracket (C) underneath cart/ceiling head assembly, lining up holes on support bracket (C) to holes on main bracket (B). (See Figure 26)
- Use two 1/4-20 x 1/4" button head cap screws (R) and two large washers (P) to secure support bracket (C) to main bracket (B). (See Figure 26)

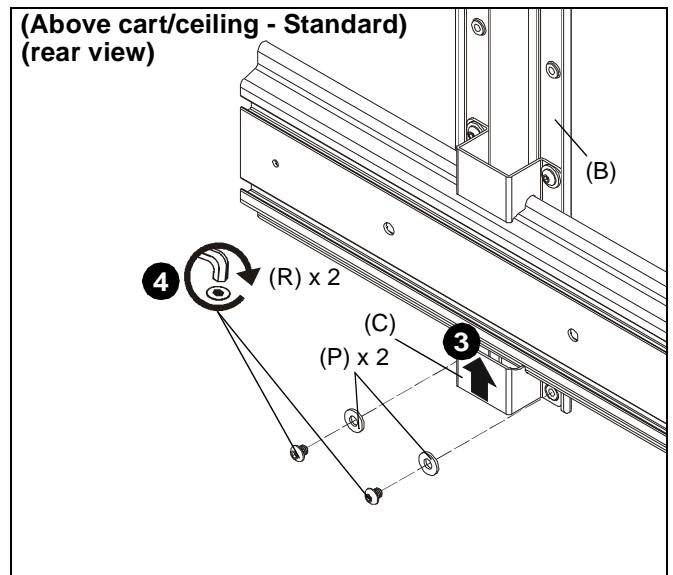


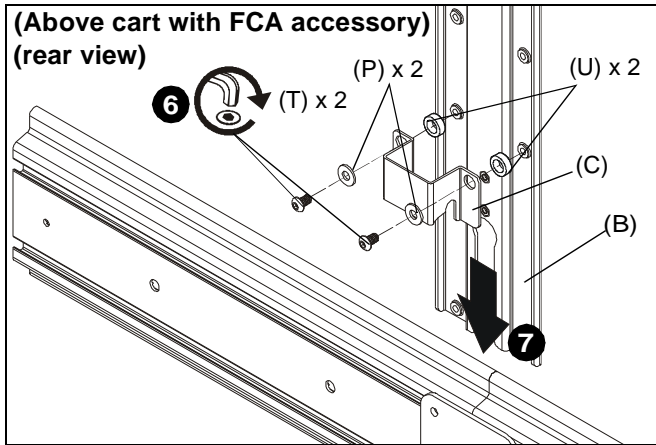
Figure 26

- Proceed to Step 11.

**Installing to FCA623 Accessory**

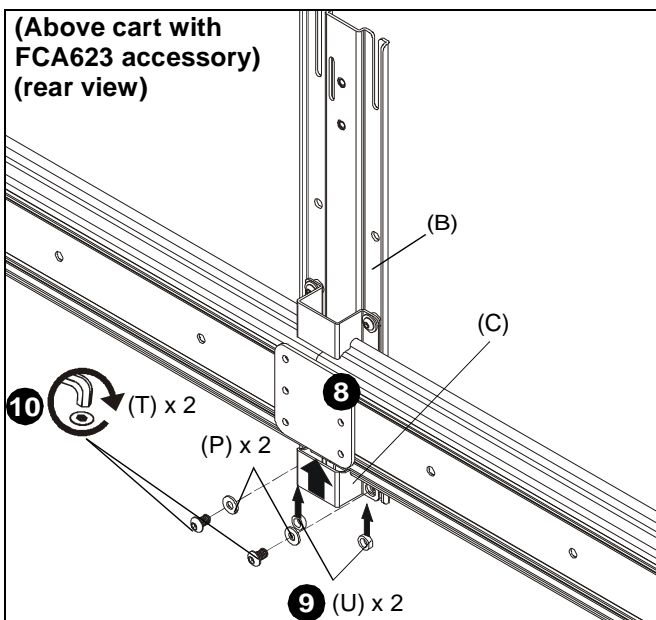
**NOTE:** Steps 6-10 only apply if installing to FCA623 accessory.

6. Use two 1/4-20 x 7/16" button head cap screws (T), two large washers (P) and two 3/5" spacers (U) to secure support bracket (C) to main bracket (B). (See Figure 27)
7. Slide main bracket (B) onto front of cart mount head assembly until support bracket (C) rests on top of cart mount head assembly. (See Figure 27)



**Figure 27**

8. Slide second support bracket (C) underneath cart mount head assembly, lining up holes on support bracket (C) to holes on main bracket (B). (See Figure 28)
9. Slide two 3/5" spacers (U) in between support bracket (C) and main bracket (B). (See Figure 28)
10. Use two 1/4-20 x 7/16" button head cap screws (T) and two large washers (P) to secure support bracket (C) to main bracket (B). (See Figure 28)



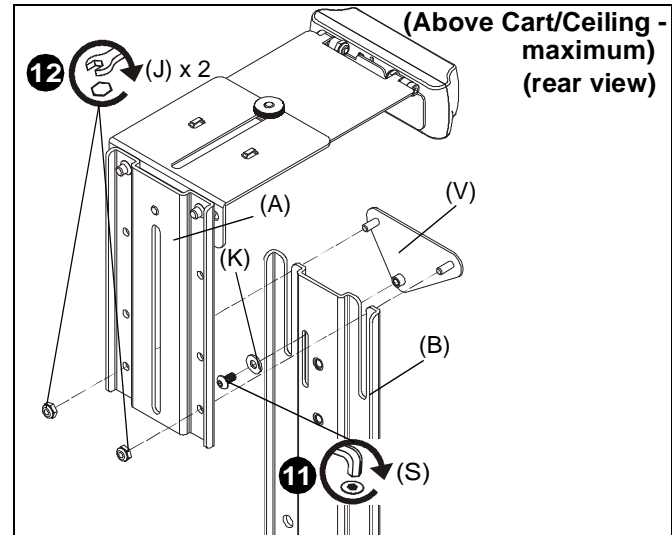
**Figure 28**

**NOTE:** Refer to Table 4 and dimension drawings on pages 3-4 to determine the extension level based on extension distance from mount center.

**Table 4: Above Cart/Ceiling**

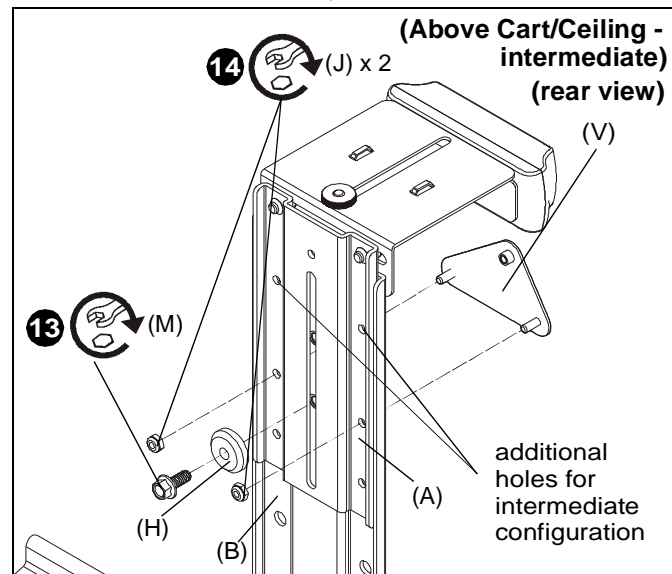
Extension distance from center of mount (in.)	
10.6-12.1	Minimum
12.1-16.4	Intermediate
16.4-19.0	Maximum

11. (For **maximum extension**) Use #10-32 x 3/8" button head cap screw (S) and small washer (K) to secure adapter plate (V) to main bracket (B). (See Figure 29)
12. (For **maximum extension**) Use two #10-24 lock nuts (J) to secure upright bracket (A) to main bracket (B) and adapter plate (V). (See Figure 29)



**Figure 29**

13. (For **Intermediate extension**) Use 1/4-20 x 5/8" hex head flange bolt (M) and center washer (H) to secure upright bracket (A) to main bracket (B). (See Figure 30)
14. (For **Intermediate extension**) Use two #10-24 lock nuts (J) to secure upright bracket (A) to main bracket (B) and adapter plate (V). (See Figure 30)



**Figure 30**

**NOTE:** For minimum extension on the FCA800VE model, the extender box holder (D) may be installed as part of the installation of the camera mount to the main bracket. Skip Step 16 if mounting the FCA800VE to minimum extension and installing the extender box holder (D).

15. (For **minimum extension**) Slide upright bracket (A) behind main bracket (B). (See Figure 31)
16. (For **minimum extension - 800V or VE**) Use 1/4-20 x 5/8" hex head flange bolt (M) and center washer (H) to secure upright bracket (A) to main bracket (B). (See Figure 31)

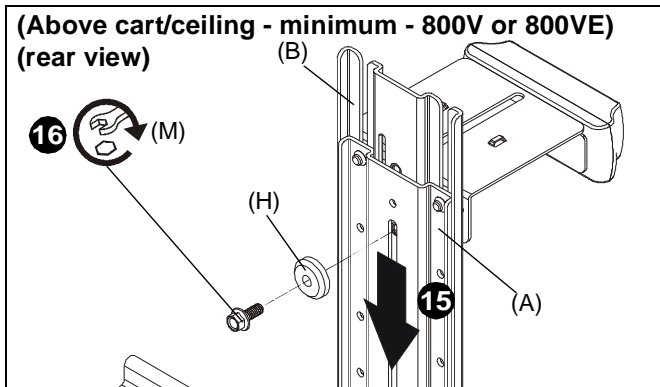


Figure 31

17. (For **minimum extension - FCA800VE**) Use 1/4-20 x 1 1/2" button head cap screw (Q) and 1/4-20 hex nut (N) and large washer (P) to secure extender box holder (D) and upright bracket (A) to main bracket (B). (See Figure 32)
18. (For **minimum extension - FCA800VE**) Tighten 1/4-20 hex nut (N) to fully secure upright bracket (A) to main bracket (B). (See Figure 32)

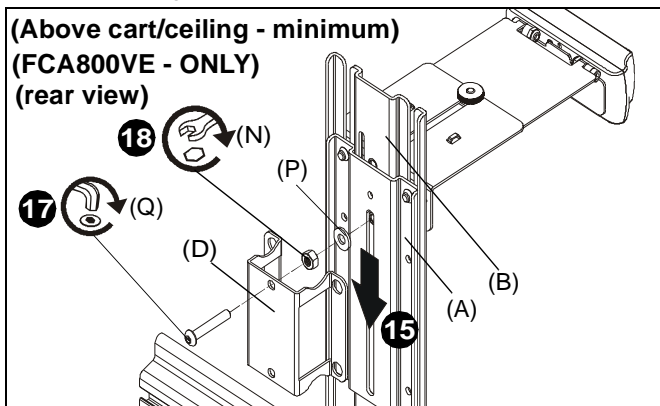


Figure 32

### Extender Box Holder Attachment (FCA800VE only)

**NOTE:** For cart/ceiling minimum height extension installations, extender box holder (D) was already installed as part of the accessory installation. Proceed to Viewshare Installation Section.

1. Use two 1/4-20 x 1/4" button head cap screws (R) to secure extender box holder (D) to main bracket (B) at the correct location depending on configuration.
  - To wall, in between mounting rails. (See Figure 33)
  - To cart/ceiling below, below head assembly. (See Figure 34)
  - To cart/ceiling above, above head assembly. (See Figure 34)

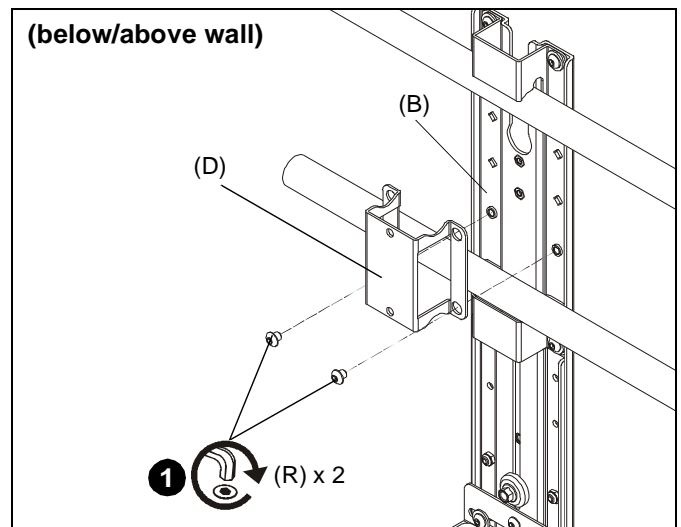


Figure 33

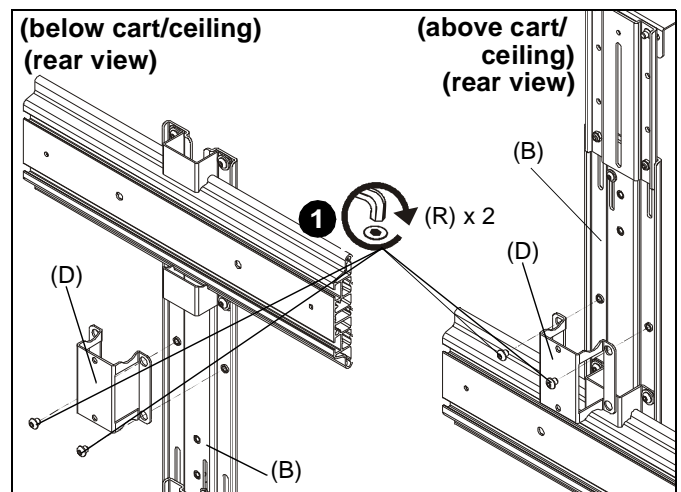


Figure 34

### Viewshare Installation

**NOTE:** Refer to milestone.com for the latest software compatibility requirements.

#### FCA800V

1. Connect camera to USB gender changer (BB) using USB cable supplied with camera. (See Figure 35)
2. Connect USB gender changer (BB) to 4-port USB hub (FF) using 10' USB cable (CC). (See Figure 35)
3. Connect speaker phone (DD) to 4-port USB hub (FF) using USB cable supplied with speaker phone. (See Figure 35)
4. Connect 4-port USB hub (FF) to computer using 30" USB 3.0 cable included with hub. (See Figure 35)
5. Connect computer to display or projector. (See Figure 35)
6. Verify the correct audio and video sources are selected in computer's settings (PC) or preferences (Mac). The camera will show up as "Logitech Webcam C930e."
7. Download latest version of Skype or comparable video conferencing application.

#### FCA800VE

1. Connect camera to USB extender box (EE) using USB cable supplied with camera. (See Figure 35)
2. Connect USB extender box (EE) to second USB extender box using CAT5 cable (not included). (See Figure 35)
3. Connect second USB extender box to 4-port USB hub (FF) using USB cable (CC). (See Figure 35)
4. Connect speaker phone (DD) to 4-port USB hub (FF) using USB cable supplied with speaker phone (DD). (See Figure 35)
5. Connect 4-port USB hub (FF) to computer using 30" USB 3.0 cable included with hub. (See Figure 35)
6. Connect computer to display or projector. (See Figure 35)
7. Verify the correct audio and video sources are selected in computer's settings (PC) or preferences (Mac). The camera will show up as "Logitech Webcam C930e."
8. Download latest version of Skype or comparable video conferencing application.

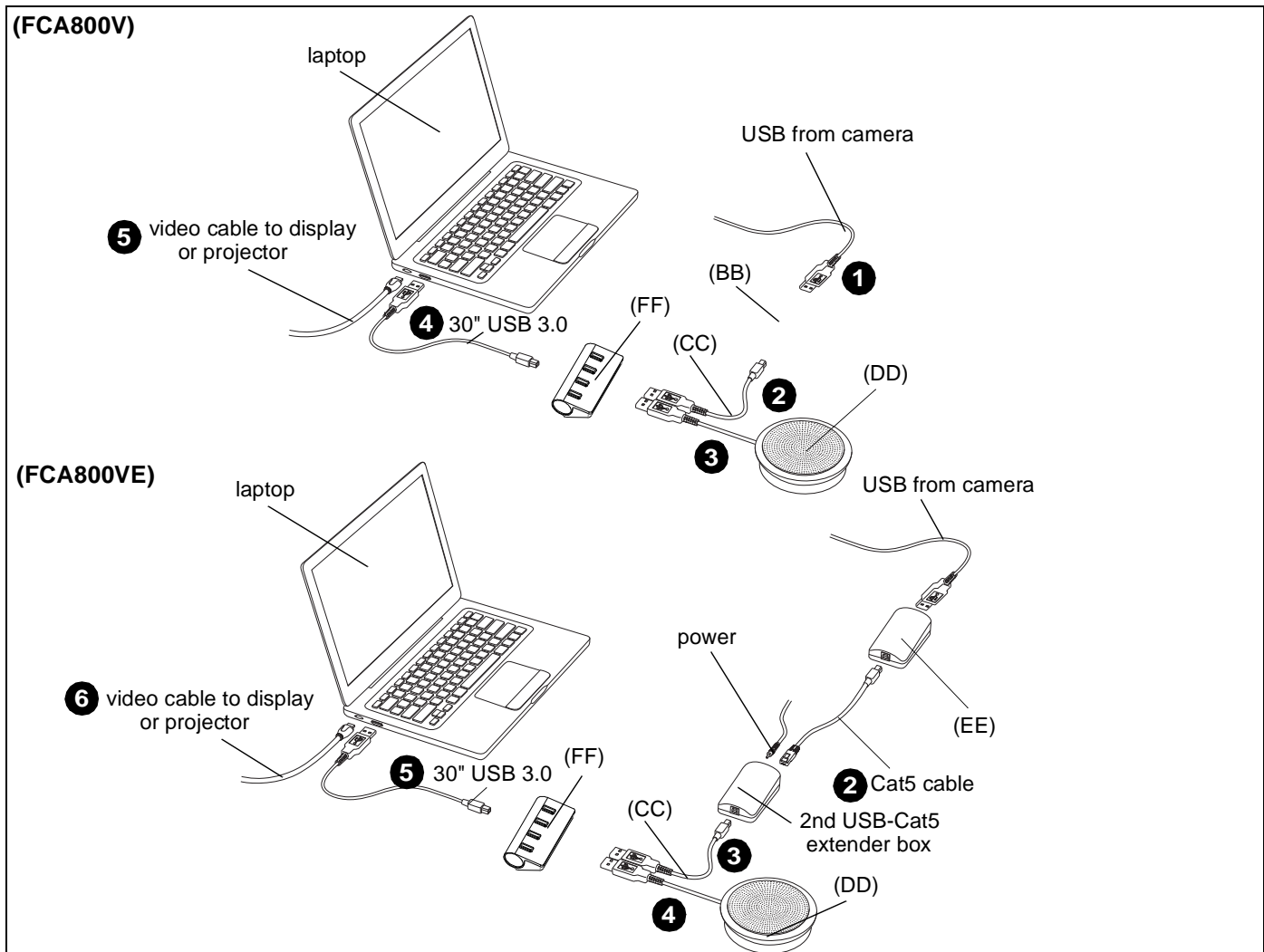


Figure 35



### Height Adjustment

1. Loosen hardware used to attach main bracket (B) to upright bracket (A). (See Figure 36)
2. Adjust camera height as desired. (See Figure 36)

**NOTE:** For all display installations, it is recommended that the accessory be positioned so that it rests on top of or around the display to help ensure an even mount.

3. Tighten hardware used to attached main bracket (B) to upright bracket (A). (See Figure 36)

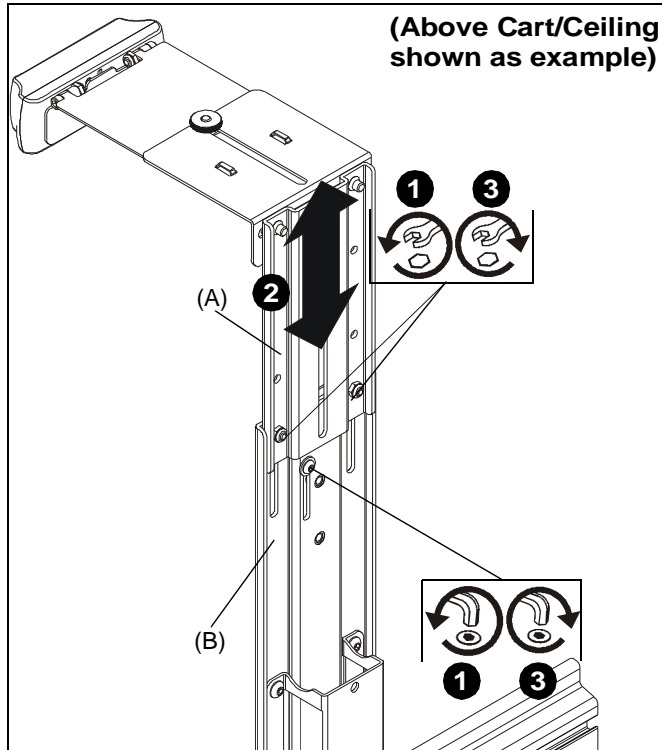


Figure 36

### Extension and Swivel Adjustment

1. Loosen extension adjustment screw. (See Figure 37)
2. Adjust to desired extension length. (See Figure 37)
3. Tighten extension adjustment screw. (See Figure 37)

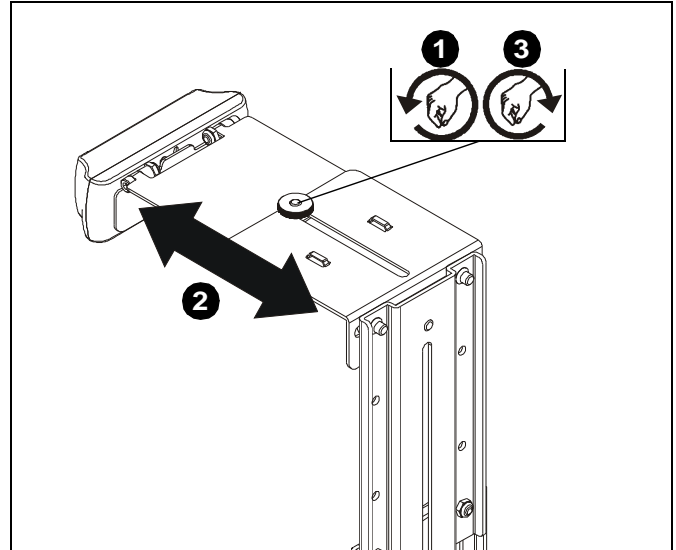


Figure 37







Our Mounts. **Your Vision.**

Chief, a products division of  
Milestone AV Technologies

8800-002864 Rev01  
©2016 Milestone AV Technologies  
[www.milestone.com](http://www.milestone.com)  
11/16

<b>USA/International</b>	<b>A</b> 6436 City West Parkway, Eden Prairie, MN 55344
	<b>P</b> 800.582.6480 / 952.225.6000
	<b>F</b> 877.894.6918 / 952.894.6918
<b>Europe</b>	<b>A</b> Franklinstraat 14, 6003 DK Weert, Netherlands
	<b>P</b> +31 (0) 495 580 852
	<b>F</b> +31 (0) 495 580 845
<b>Asia Pacific</b>	<b>A</b> Office No. 918 on 9/F, Shatin Galleria 18-24 Shan Mei Street Fotan, Shatin, Hong Kong
	<b>P</b> 852 2145 4099
	<b>F</b> 852 2145 4477

