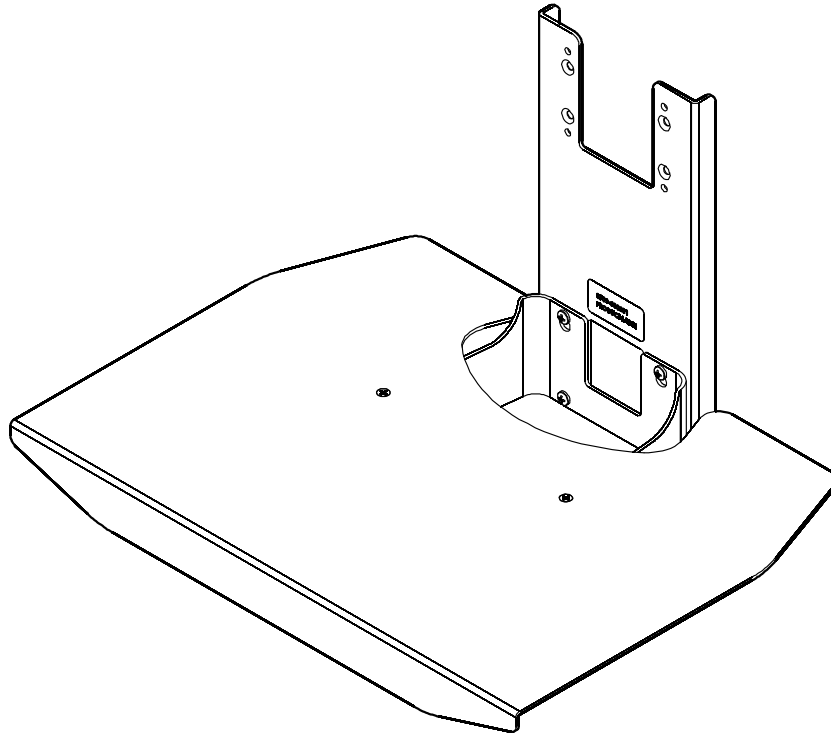

INSTALLATION INSTRUCTIONS




Stackable Component Shelf Accessory


DISCLAIMER


Milestone AV Technologies and its affiliated corporations and subsidiaries (collectively "Milestone"), intend to make this manual accurate and complete. However, Milestone makes no claim that the information contained herein covers all details, conditions or variations, nor does it provide for every possible contingency in connection with the installation or use of this product. The information contained in this document is subject to change without notice or obligation of any kind. Milestone makes no representation of warranty, expressed or implied, regarding the information contained herein. Milestone assumes no responsibility for accuracy, completeness or sufficiency of the information contained in this document.


Chief® is a registered trademark of Milestone AV Technologies. All rights reserved.


IMPORTANT WARNINGS AND CAUTIONS!

 **WARNING:** A WARNING alerts you to the possibility of serious injury or death if you do not follow the instructions.



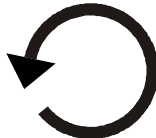

 **CAUTION:** A CAUTION alerts you to the possibility of damage or destruction of equipment if you do not follow the corresponding instructions.

 **WARNING:** Failure to read, thoroughly understand, and follow all instructions can result in serious personal injury, damage to equipment, or voiding of factory warranty! It is the installer's responsibility to make sure all components are properly assembled and installed using the instructions provided.

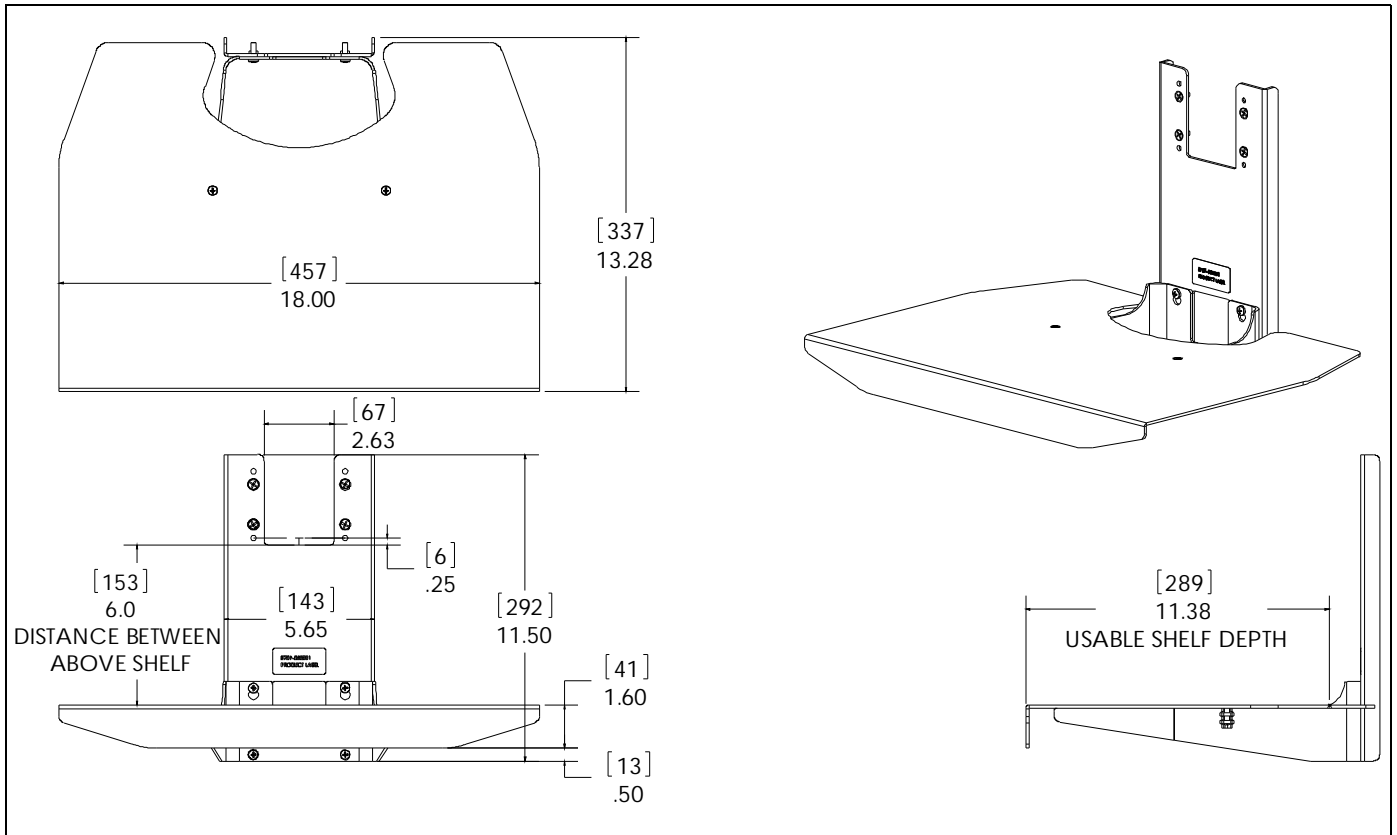
 **WARNING:** Failure to provide adequate structural strength for this component can result in serious personal injury or damage to equipment! It is the installer's responsibility to make sure the structure to which this component is attached can support five times the combined weight of all equipment. Reinforce the structure as required before installing the component.

 **WARNING:** Exceeding the weight capacity can result in serious personal injury or damage to equipment! It is the installer's responsibility to make sure the combined weight of all components located on the FCD100 does not exceed 15 lbs (6.8 kg).

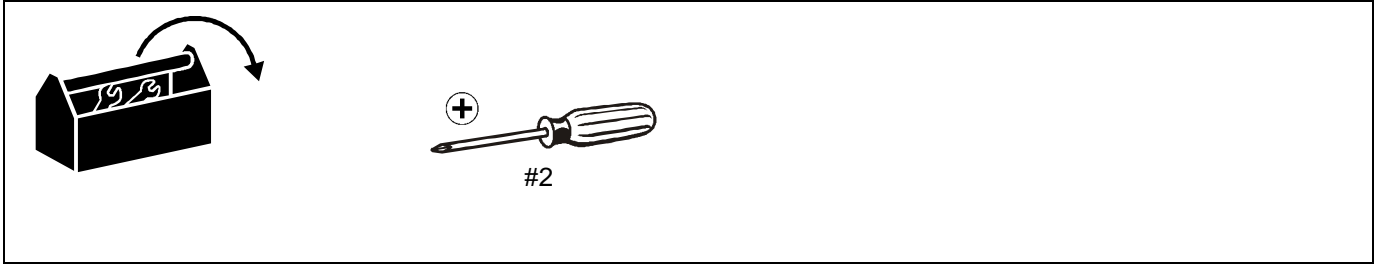
LEGEND

	Tighten Fastener		Pencil Mark
	Apretar elemento de fijación		Marcar con lápiz
	Befestigungsteil festziehen		Stiftmarkierung
	Apertar fixador		Marcar com lápis
	Serrare il fissaggio		Segno a matita
	Bevestiging vastdraaien		Potloodmerkteken
Serrez les fixations	Marquage au crayon		
	Loosen Fastener		Phillips Screwdriver
	Aflojar elemento de fijación		Destornillador Phillips
	Befestigungsteil lösen		Kreuzschlitzschraubendreher
	Desapertar fixador		Chave de fendas Phillips
	Allentare il fissaggio		Cacciavite a stella
	Bevestiging losdraaien		Kruiskopschroevendraaier
Desserrez les fixations	Tournevis à pointe cruciforme		

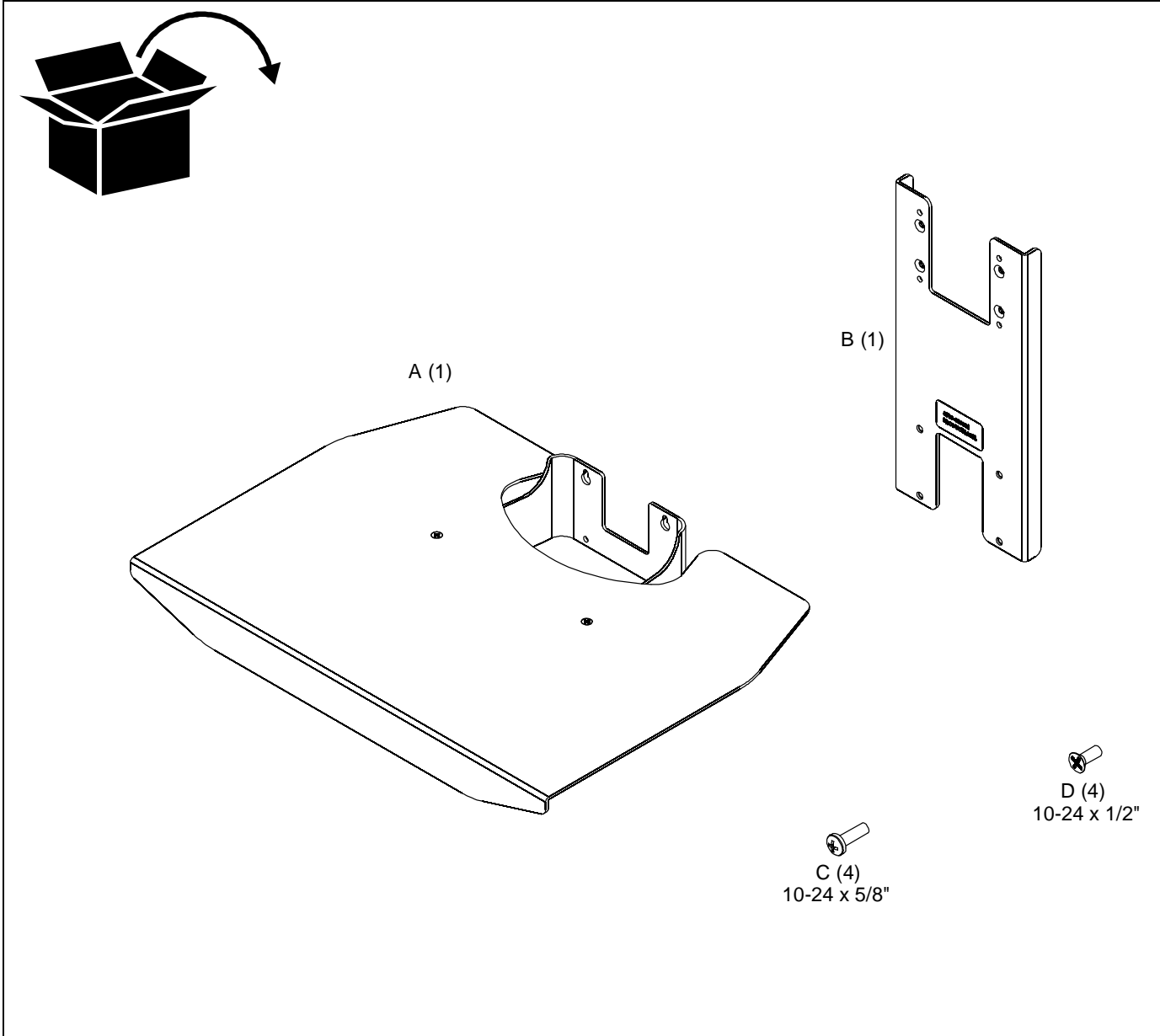
DIMENSIONS



TOOLS REQUIRED FOR INSTALLATION



PARTS



Assembly and Installation

The FCD100 may be used along with a shelf accessory or a bracket accessory, such as a center speaker bracket. (See Figure 4)

Assembling Shelf and Bracket

1. Remove and save four Phillips screws from existing shelf accessory or speaker bracket. (See Figure 1)
2. Remove shelf or bracket from hanger bracket of shelf accessory. (See Figure 1)

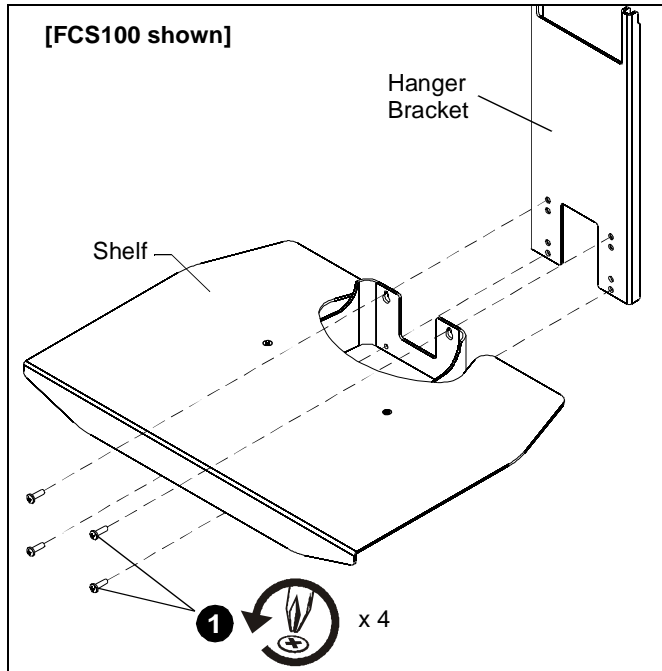


Figure 1

3. Attach FCD100 shelf (A) to FCD100 hanger bracket (B) using four 10-24 x 5/8" Phillips pan head screws (C). (See Figure 2)

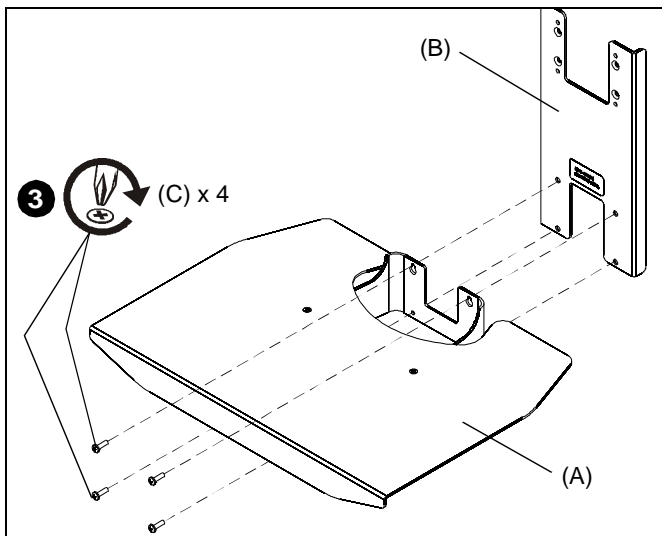


Figure 2

4. Attach FCD100 to the hanger bracket of shelf accessory using four 10-24 x 1/2" Phillips flat head screws (D). (See Figure 3)

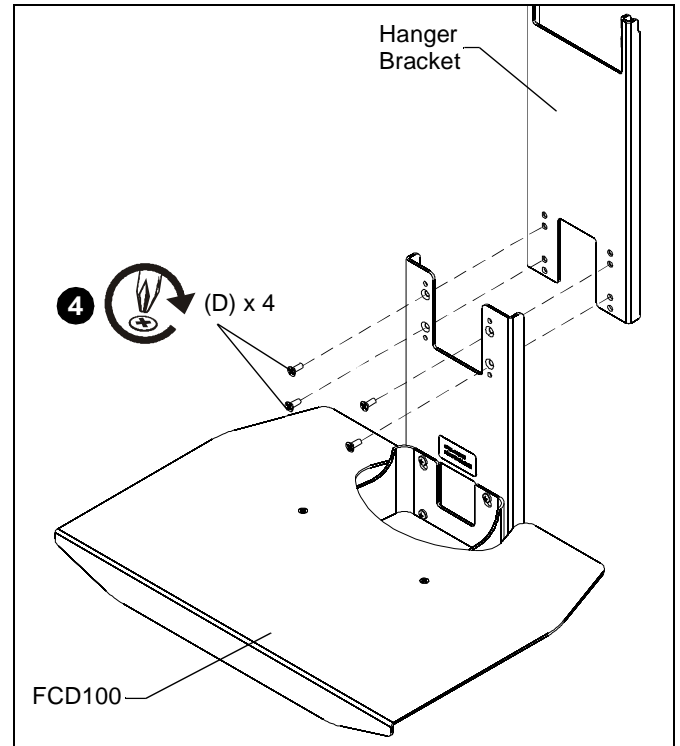


Figure 3

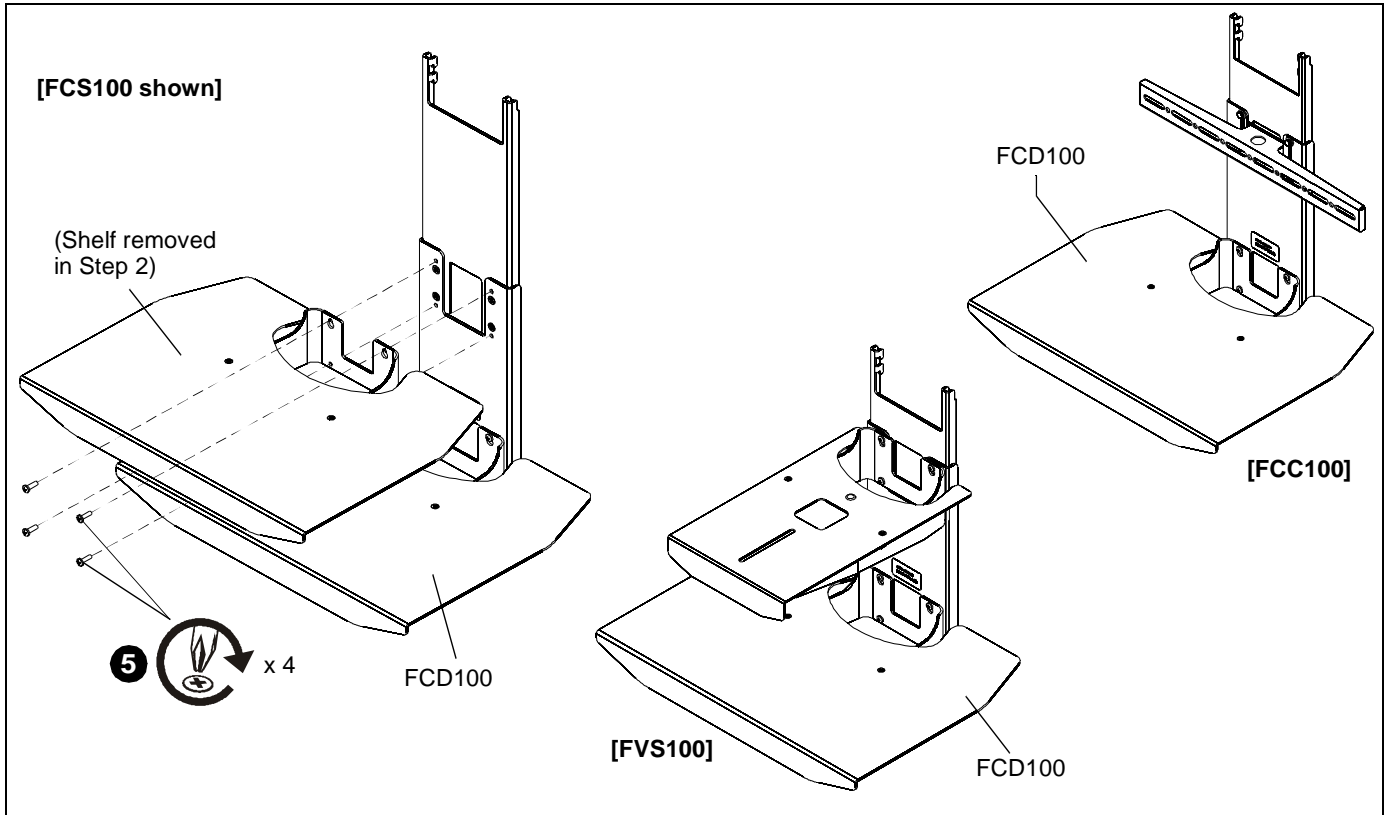


Figure 4

5. Reattach shelf or bracket removed in Step 2 using four Phillips head screws removed in Step 1. (See Figure 4)
6. Attach shelf accessory or speaker bracket with FCD100 to upper hook bracket. (See Figure 5)

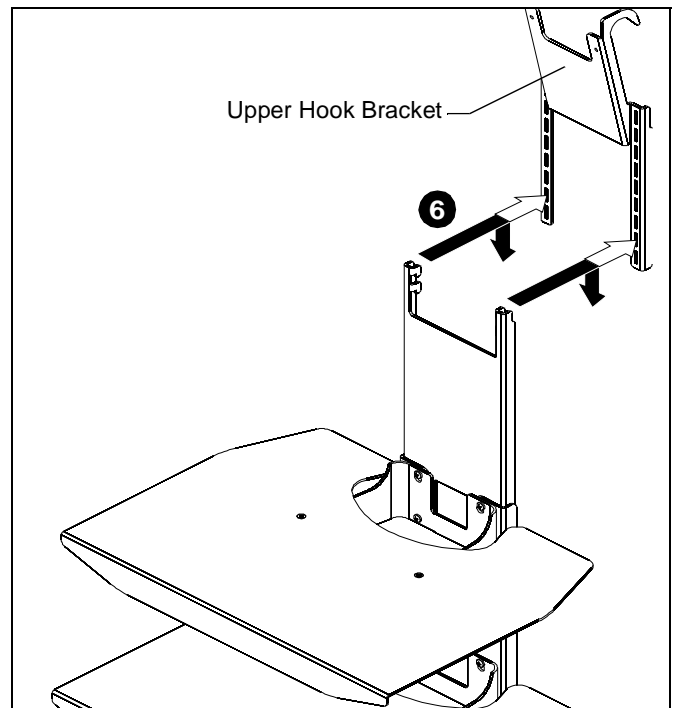


Figure 5

7. Complete the installation following instructions included with the shelf accessory or speaker bracket to which the FCD100 is attached.



Our Mounts. **Your Vision.**

Chief Manufacturing, a products division
of Milestone AV Technologies

8807-000079 Rev02

©2011 Milestone AV Technologies, a

Duchossois Group Company

www.chiefmfg.com

07/11

USA/International	A 8401 Eagle Creek Parkway, Savage, MN 55378
	P 800.582.6480 / 952.894.6280
	F 877.894.6918 / 952.894.6918
Europe	A Fellenoord 130 5611 ZB EINDHOVEN, The Netherlands
	P +31 (0)40 2668620
	F +31 (0)40 2668615
Asia Pacific	A Office No. 1 on 12/F, Shatin Galleria 18-24 Shan Mei Street Fotan, Shatin, Hong Kong
	P 852 2145 4099
	F 852 2145 4477

