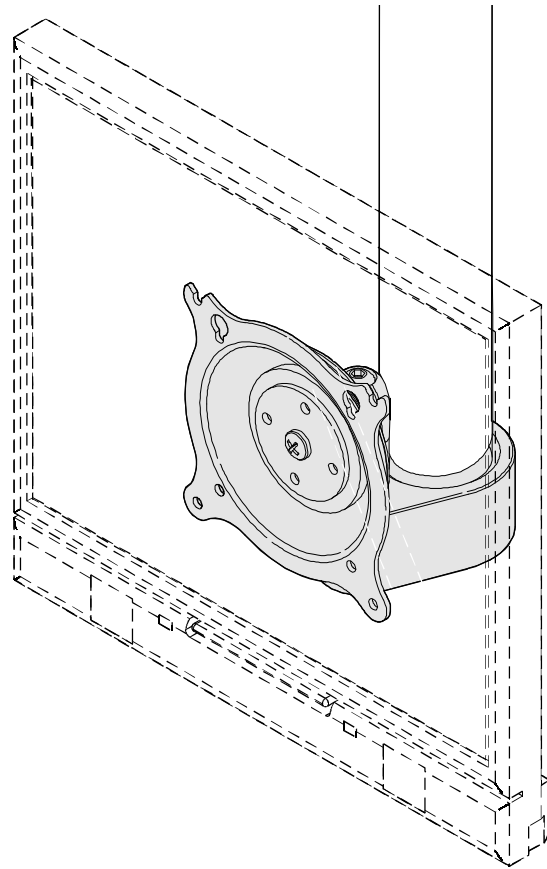


---

# INSTALLATION INSTRUCTIONS

---



---

## Direct Attach Ceiling Mount


---


## DISCLAIMER


Milestone AV Technologies and its affiliated corporations and subsidiaries (collectively "Milestone"), intend to make this manual accurate and complete. However, Milestone makes no claim that the information contained herein covers all details, conditions or variations, nor does it provide for every possible contingency in connection with the installation or use of this product. The information contained in this document is subject to change without notice or obligation of any kind. Milestone makes no representation of warranty, expressed or implied, regarding the information contained herein. Milestone assumes no responsibility for accuracy, completeness or sufficiency of the information contained in this document.


Chief® is a registered trademark of Milestone AV Technologies. All rights reserved.


## IMPORTANT SAFETY INSTRUCTIONS

 **WARNING:** A WARNING alerts you to the possibility of serious injury or death if you do not follow the instructions.


 **CAUTION:** A CAUTION alerts you to the possibility of damage or destruction of equipment if you do not follow the corresponding instructions.


 **WARNING:** Failure to read, thoroughly understand, and follow all instructions can result in serious personal injury, damage to equipment, or voiding of factory warranty! It is the installer's responsibility to make sure all components are properly assembled and installed using the instructions provided.


 **WARNING:** Failure to provide adequate structural strength for this component can result in serious personal injury or damage to equipment! It is the installer's responsibility to make sure the structure to which this component is attached can support five times the combined weight of all equipment. Reinforce the structure as required before installing the component.

 **WARNING:** Exceeding the weight capacity of the mount can result in serious personal injury or damage to equipment! It is the installer's responsibility to make sure the combined weight of the mount and all attached components does not exceed 40 lbs (18.14kg).

- The FHS Series mounting surface can support a maximum weight of 40 lbs (18.1 kg).
- All threaded connections can support a maximum weight of 500 lbs (226.8 kg) with a minimum of four threads engaged.
- The total connected weight, including display attached to the FHS Series mounting surface, must not exceed 500 lbs (226.8 kg).

 **WARNING:** Use this mounting system only for its intended use as described in these instructions. Do not use attachments not recommended by the manufacturer.




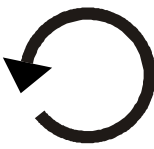
 **WARNING:** Never operate this mounting system if it is damaged. Return the mounting system to a service center for examination and repair.

 **WARNING:** Do not use this product outdoors.


**IMPORTANT ! :** The FHS Series mounts are designed to be mounted to one or two 1-1/2" NPT or NPSM following ANSI/ASME B1.20.1 (Schedule 40, 0.154" minimum thickness steel or aluminum-ASTM B221) threaded extension columns (not included), with a minimum of four threads engaged.


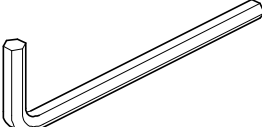
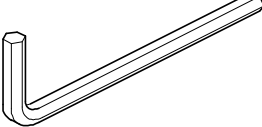
**--SAVE THESE INSTRUCTIONS--**


**LEGEND**

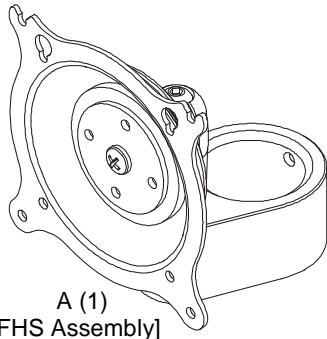


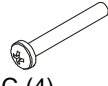
	<b>Tighten Fastener</b>		<b>Phillips Screwdriver</b>
	Apretar elemento de fijación		Destornillador Phillips
	Befestigungsteil festziehen		Kreuzschlitzschraubendreher
	Apertar fixador		Chave de fendas Phillips
	Serrare il fissaggio		Cacciavite a stella
	Bevestiging vastdraaien		Kruiskopschroevendraaier
Serrez les fixations	Tournevis à pointe cruciforme		<b>Hex-Head Wrench</b>
Сожмите Застежку	Отвертка		Llave de cabeza hexagonal
	<b>Loosen Fastener</b>		Sechskantschlüssel
	Aflojar elemento de fijación		Chave de cabeça sextavada
	Befestigungsteil lösen		Chiave esagonale
	Desapertar fixador		Zeskantsleutel
	Allentare il fissaggio	Clé à tête hexagonale	
	Bevestiging losdraaien	Ключ с шестигранной головкой	
Serrez les fixations			
Ослабьте Застежку			




**TOOLS REQUIRED FOR INSTALLATION AND PARTS**

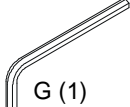
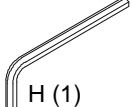


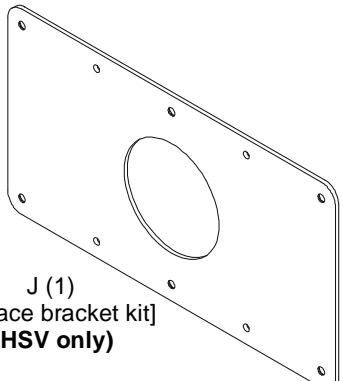

 3/16" (included)
  5/32" (included)

 A (1) [FHS Assembly]
  A (4) M4 x 12mm
  B (4) M4 x 20mm
  C (4) M4 x 30mm

 D (4) 1/2" x .194 x 3/8"
  E (4) 1/2" x .194 x 3/4"
  F (2) 5/16-18 x 3/8"

 G (1) 3/16"
  H (1) 5/32"

 J (1) [Interface bracket kit] (FHSV only)

## INSTALLATION

**IMPORTANT ! :** These installation instructions assume that a 1-1/2" NPT or NPSM following ANSI/ASME B1.20.1 (Schedule 40, 0.154" minimum thickness steel or aluminum - ASTM B221) threaded extension column (not included) has been properly installed and is in place.

1. Thread FHS assembly (A) onto 1-1/2" NPT or NPSM following ANSI/ASME B1.20.1 (Schedule 40, 0.154" minimum thickness steel or aluminum - ASTM B221) threaded extension column until hand tight, with a minimum of four threads engaged.
2. Adjust FHS assembly (A) position until Centris cup is facing the desired position of the display. (See Figure 1)

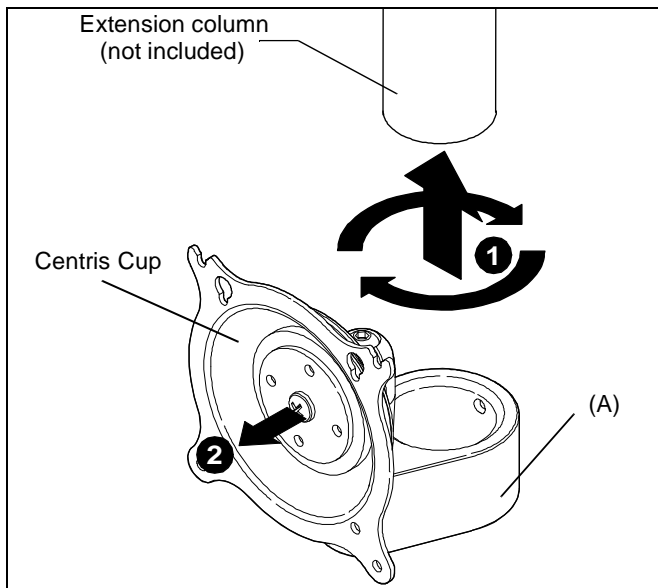


Figure 1

3. When FHS assembly (A) is properly positioned secure to 1-1/2" NPT pipe by installing and tightening 5/16-18 x 3/8" set screw (F) using 3/16" hex wrench (H). (See Figure 2)

**NOTE:** If mount is being used to couple two pipes, use both set screws when securing mount (A) to pipes.

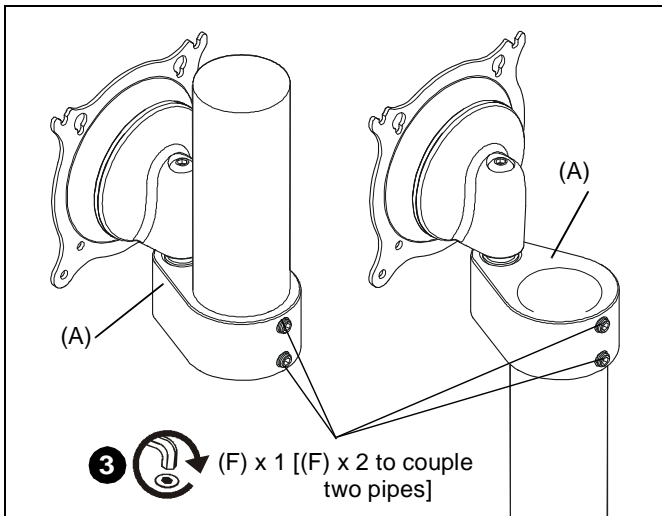


Figure 2

## Display Installation

1. Determine mounting pattern on display. (See Figure 3)

**NOTE:** The mount is designed to accommodate both 75 x 75 and 100 x 100 VESA mounting patterns. If the display being mounted has either of these mounting patterns proceed to **Step 3**.

**NOTE:** If the display does **NOT** have a 75 x75 or 100 x 100 VESA mounting pattern, an interface bracket will be required. The FHSV mount comes with a 200 x 100 interface bracket (J). Proceed to **Step 2**.

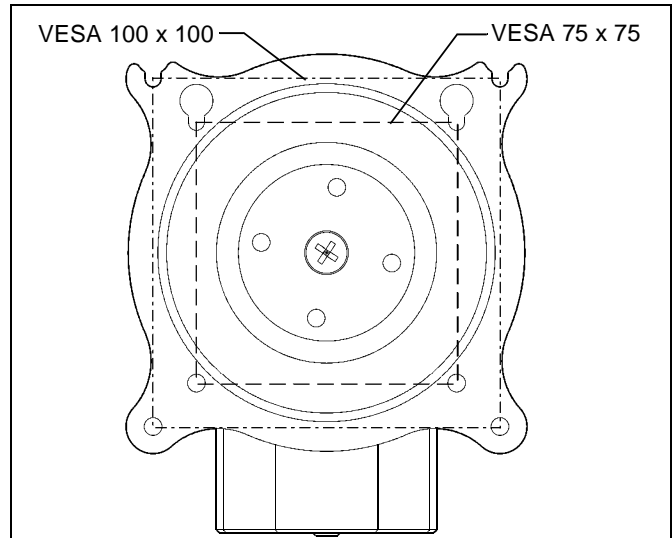


Figure 3

2. **(200 x 100 Mounting Pattern ONLY)** Install FSA4101 interface bracket (J), if required, following the instructions provided with the interface bracket kit. Proceed to **Step 3**.



**WARNING:** IMPROPER INSTALLATION CAN LEAD TO DISPLAY FALLING CAUSING SERIOUS PERSONAL INJURY OR DAMAGE TO EQUIPMENT! Using screws of improper size may damage your display. Properly sized screws will easily and completely thread into display mounting holes. If spacers are required, be sure to use longer screws of the same diameter.

3. Install two Phillips pan head machine screws (A, B, or C) into upper mounting holes in display back leaving 3/16" of screw protruding out of display.
4. Align screws in display back with upper mounting holes in Centris cup and lower display until screws are seated in lower area of mounting slots (100 x 100) or teardrop mounting holes (75 x 75).
5. Hold display so that display back is against Centris cup and install two Phillips pan head machine screws (A, B, or C) through lower mounting holes in Centris cup and into lower mounting holes in display back.

**NOTE:** If the display has a recessed mounting surface, spacers (D or E) must be placed between display back and Centris cup and longer screws must be used to secure display.

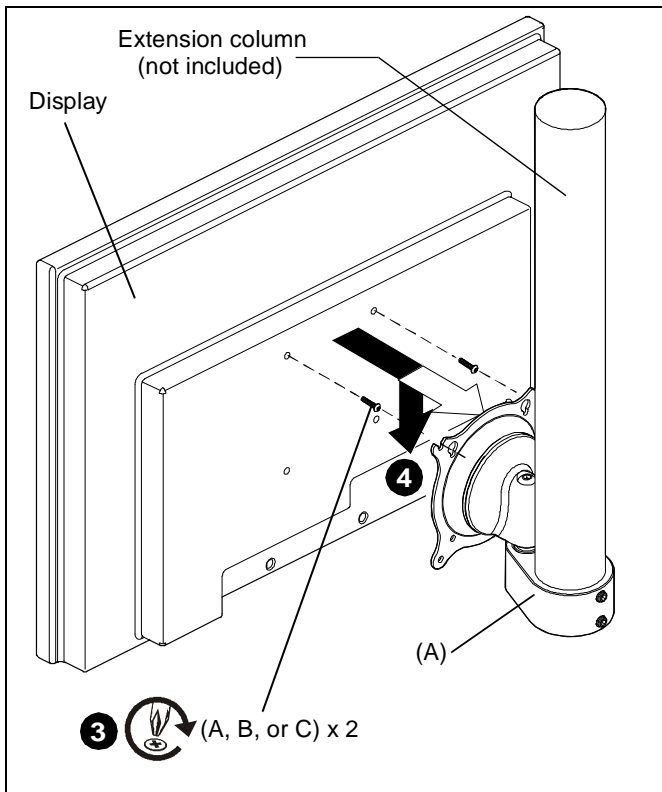


Figure 4

6. Route cables and wires to display.

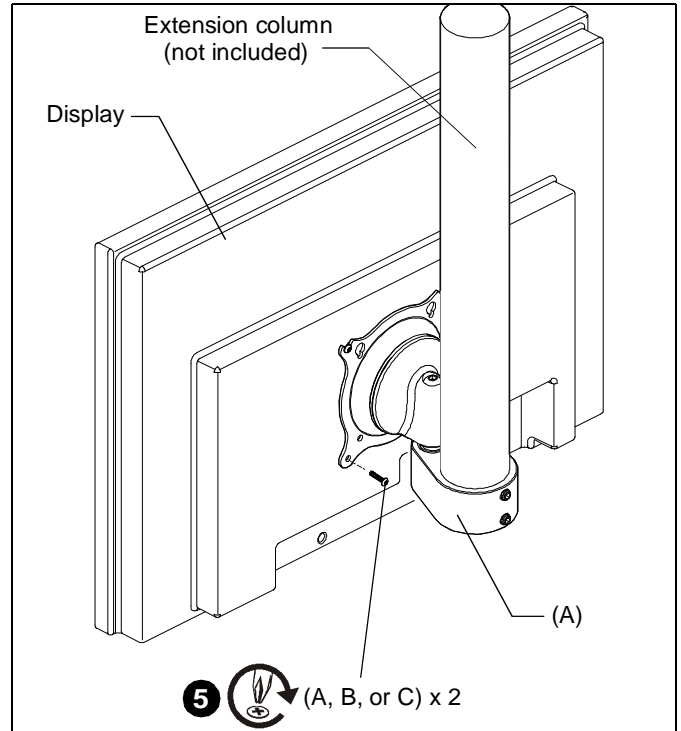


Figure 5

**ADJUSTMENTS**

To adjust display Roll, Pitch, and YAW tension:

1. Disconnect all wires and cable from the display.
2. Remove two *Lower* screws securing display to Centris cup.
3. Loosen two *Upper* screws securing display.
4. Lift display upward and away from mount.
5. Using a Phillips screwdriver turn the tension adjustment screw clockwise to increase tension, or counter-clockwise to decrease tension. (See Figure )
6. Re-install display.

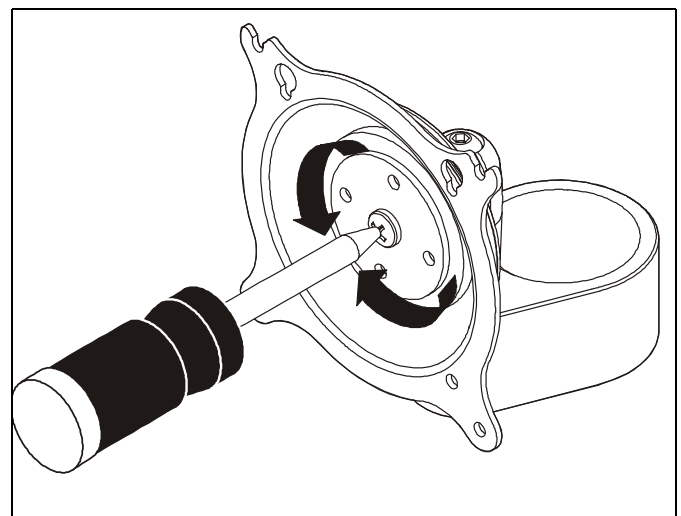


Figure 6







Our Mounts. **Your Vision.**

Chief, a products division of  
Milestone AV Technologies

8800-002544 Rev00  
©2014 Milestone AV Technologies  
[www.chiefmfg.com](http://www.chiefmfg.com)  
04/14

<b>USA/International</b>	<b>A</b> 6436 City West Parkway, Eden Prairie, MN 55344 <b>P</b> 800.582.6480 / 952.225.6000 <b>F</b> 877.894.6918 / 952.894.6918
<b>Europe</b>	<b>A</b> Franklinstraat 14, 6003 DK Weert, Netherlands <b>P</b> +31 (0) 495 580 852 <b>F</b> +31 (0) 495 580 845
<b>Asia Pacific</b>	<b>A</b> Office No. 1 on 12/F, Shatin Galleria 18-24 Shan Mei Street Fotan, Shatin, Hong Kong <b>P</b> 852 2145 4099 <b>F</b> 852 2145 4477

