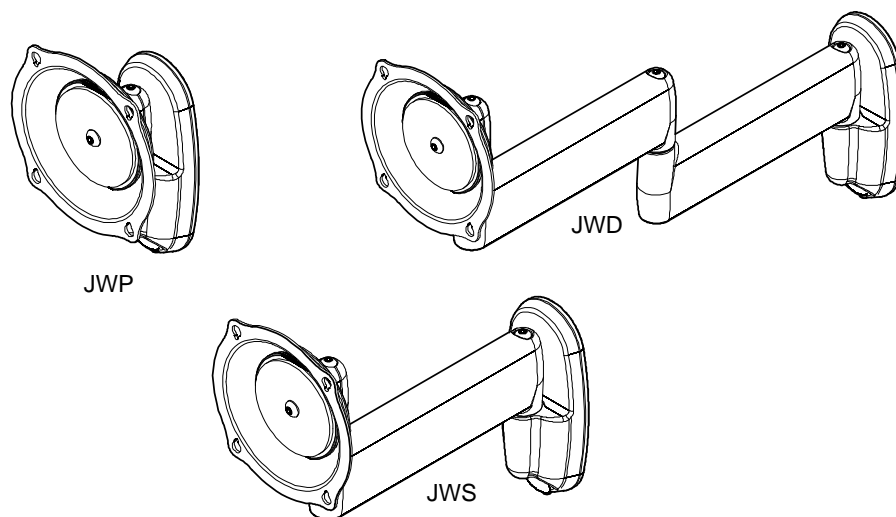

INSTALLATION INSTRUCTIONS



Medium Flat Panel Wall Mount

DISCLAIMER

Milestone AV Technologies, Inc., and its affiliated corporations and subsidiaries, intend to make this manual accurate and complete. However, Milestone makes no claim that the information contained herein covers all details, conditions or variations, nor does it provide for every possible contingency in connection with the installation or use of this product. The information contained in this document is subject to change without notice or obligation of any kind. Milestone makes no representation of warranty, expressed or implied, regarding the information contained herein. Milestone assumes no responsibility for accuracy, completeness or sufficiency of the information contained in this document.

Chief® and Centris™ are registered trademarks of Milestone AV Technologies. All rights reserved.

! IMPORTANT WARNINGS AND CAUTIONS!

! WARNING: A WARNING alerts you to the possibility of serious injury or death if you do not follow the instructions.

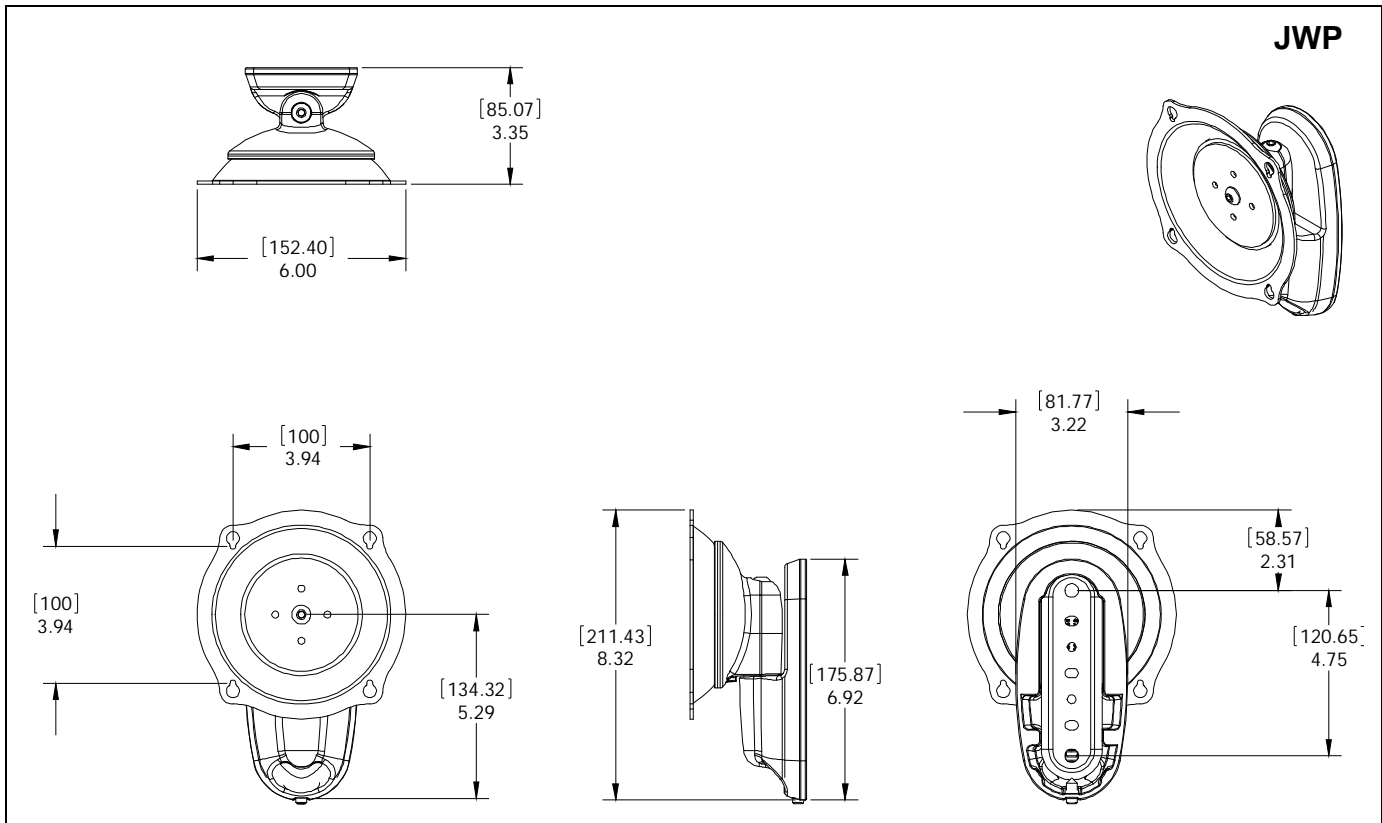
! CAUTION: A CAUTION alerts you to the possibility of damage or destruction of equipment if you do not follow the corresponding instructions.

! WARNING: Failure to read, thoroughly understand, and follow all instructions can result in serious personal injury, damage to equipment, or voiding of factory warranty! It is the installer's responsibility to make sure all components are properly assembled and installed using the instructions provided.

! WARNING: Failure to provide adequate structural strength for this component can result in serious personal injury or damage to equipment! It is the installer's responsibility to make sure the structure to which this component is attached can support five times the combined weight of all equipment. Reinforce the structure as required before installing the component.

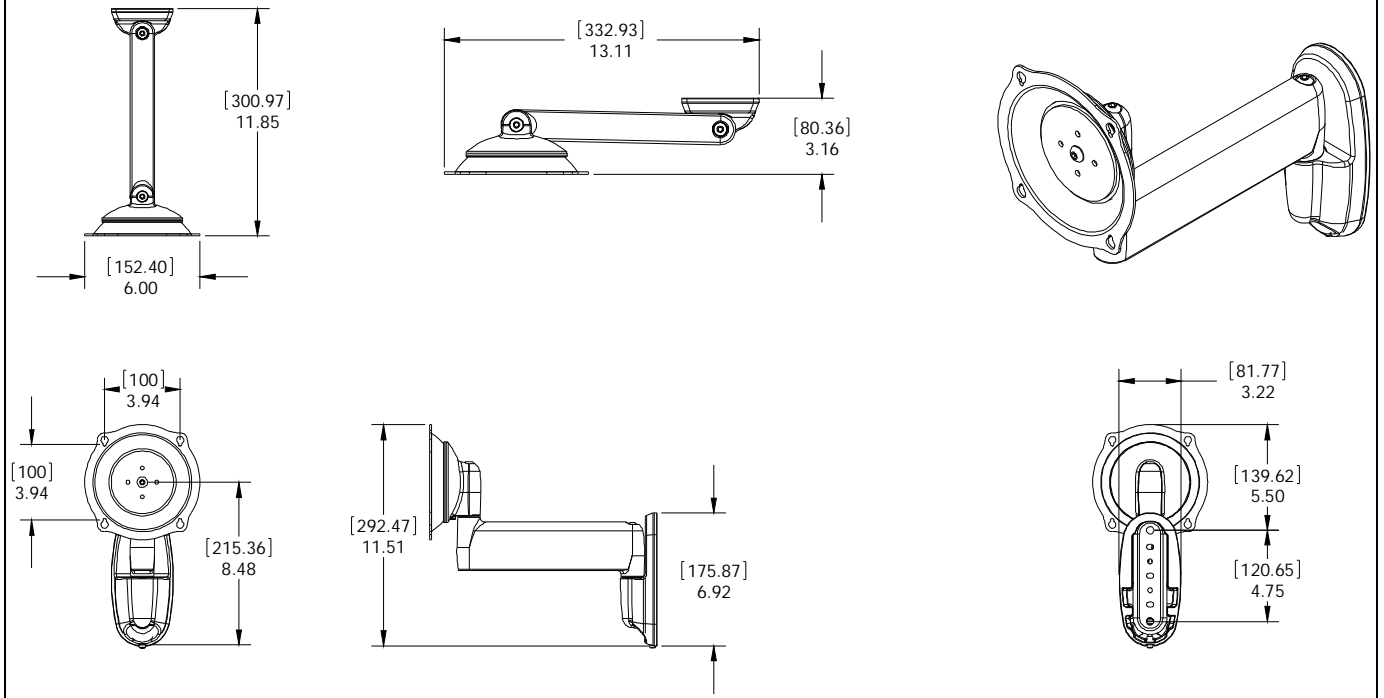
! WARNING: Exceeding the weight capacity can result in serious personal injury or damage to equipment! It is the installer's responsibility to make sure the combined weight of all components located between the J-Series mount up to (and including) the display does not exceed 75 lbs (34 kg).

DIMENSIONS

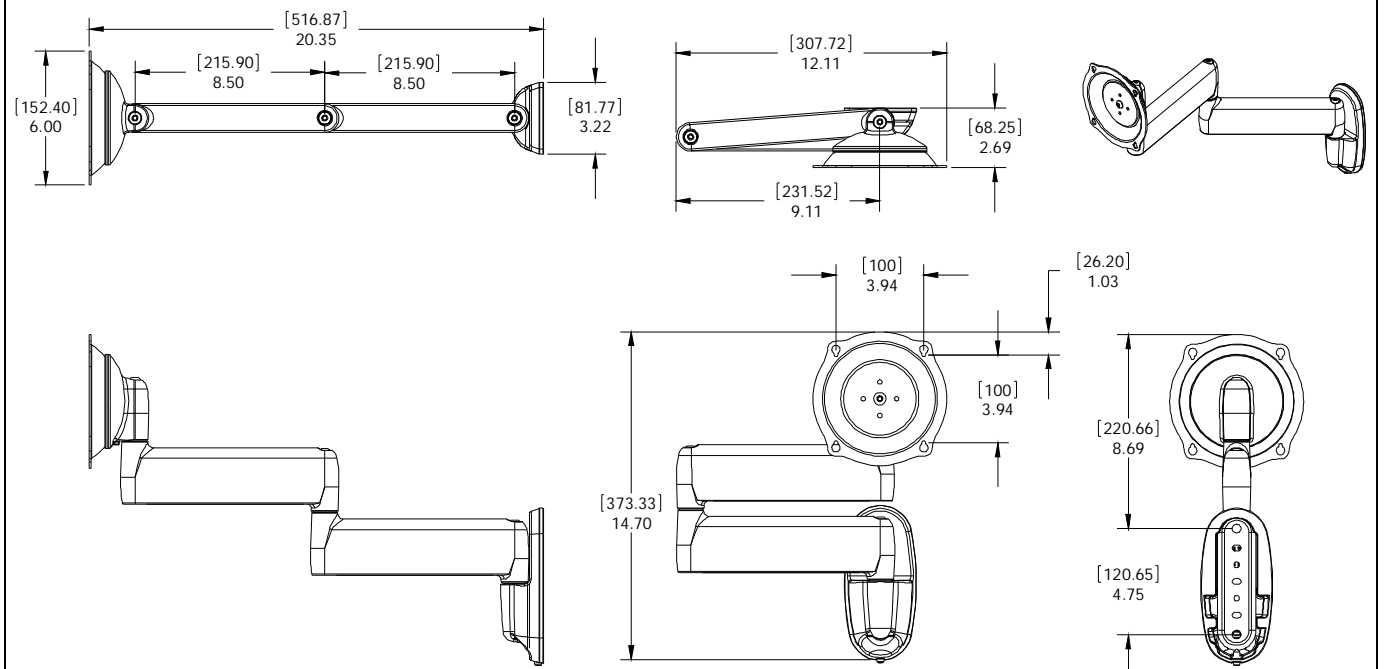


DIMENSIONS



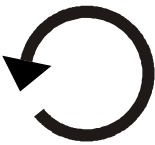


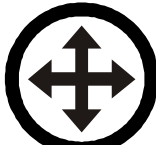


JWS



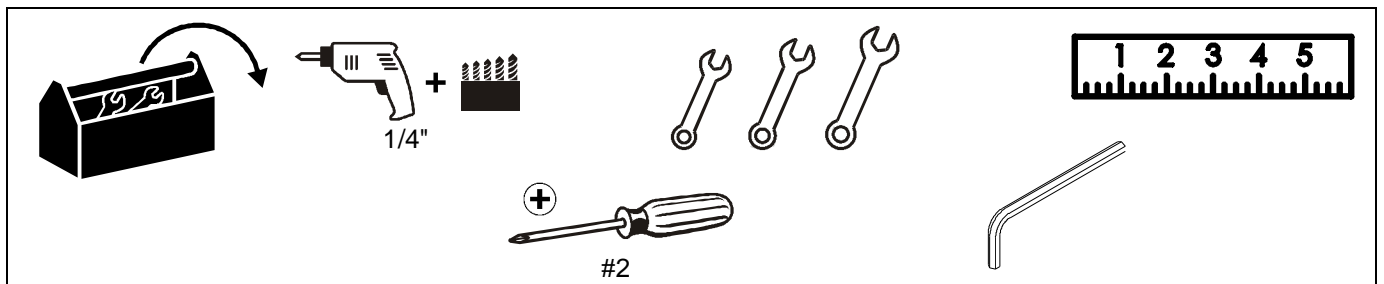
JWD



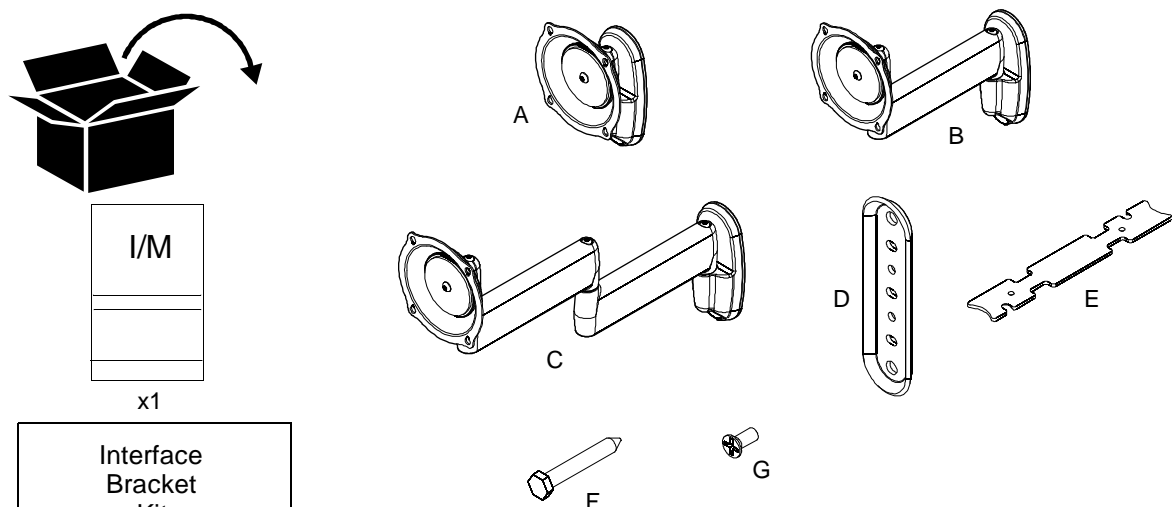
LEGEND

	<p>Tighten Fastener Apretar elemento de fijación Befestigungsteil festziehen Apertar fixador Serrare il fissaggio Bevestiging vastdraaien Serrez les fixations</p>		<p>Pencil Mark Marcar con lápiz Stiftmarkierung Marcar com lápis Segno a matita Potloodmerkteken Marquage au crayon</p>
	<p>Loosen Fastener Aflojar elemento de fijación Befestigungsteil lösen Desapertar fixador Allentare il fissaggio Bevestiging losdraaien Desserrez les fixations</p>		<p>Drill Hole Perforar Bohrloch Fazer furo Praticare un foro Gat boren Percez un trou</p>
	<p>Phillips Screwdriver Destornillador Phillips Kreuzschlitzschraubendreher Chave de fendas Phillips Cacciavite a stella Kruiskopschroevendraaier Tournevis à pointe cruciforme</p>		<p>Adjust Ajustar Einstellen Ajustar Regolare Afstellen Ajuster</p>
	<p>Open-Ended Wrench Llave de boca Gabelschlüssel Chave de bocas Chiave a punte aperte Steeksleutel Clé à fourche</p>		<p>Hex-Head Wrench Llave de cabeza hexagonal Sechskantschlüssel Chave de cabeça sextavada Chiave esagonale Zeskantsleutel Clé à tête hexagonale</p>

TOOLS REQUIRED FOR INSTALLATION



PARTS



ITEM	DESCRIPTION	QUANTITY By MODEL		
		JWP	JWS	JWD
A	PIVOT PITCH WALL MOUNT	1	-	-
B	SINGLE ARM WALL MOUNT	-	1	-
C	DUAL ARM WALL MOUNT	-	-	1
D	J-SERIES WALL PLATE	1	1	1
E	CABLE MANAGEMENT COVER	-	1	2
F	HEX HEAD LAG SCREW, 3/8" X 3"	2	2	2
G	PHILLIPS FLAT MACHINE SCREW, 8-32 X 3/8"	-	2	4

INSTALLATION

WARNING: FAILURE TO PROVIDE ADEQUATE STRUCTURAL STRENGTH FOR THIS MOUNT CAN RESULT IN SERIOUS PERSONAL INJURY OR DAMAGE TO EQUIPMENT! It is the installer's responsibility to make sure the structure to which this mount is attached can support five times the combined weight of the mount and all equipment attached to it. Reinforce the structure as required before installing the mount.

1. Determine location for mount keeping in mind display size, extension, height adjustment (if applicable), and pitch/roll requirements.

NOTE: Wall plate (D) MUST be installed into wood stud.

2. Using wall plate (D) as a template, mark then drill two 1/4" diameter x 3" deep pilot holes through top and bottom holes of wall bracket into wall structure. (See Figure 1)
3. Install two 3/8" x 3" hex head lag screws (F) through wall plate (D) and drywall into wood stud. (See Figure 1)
4. Ensure wall plate (D) is vertical, then tighten screws (D).

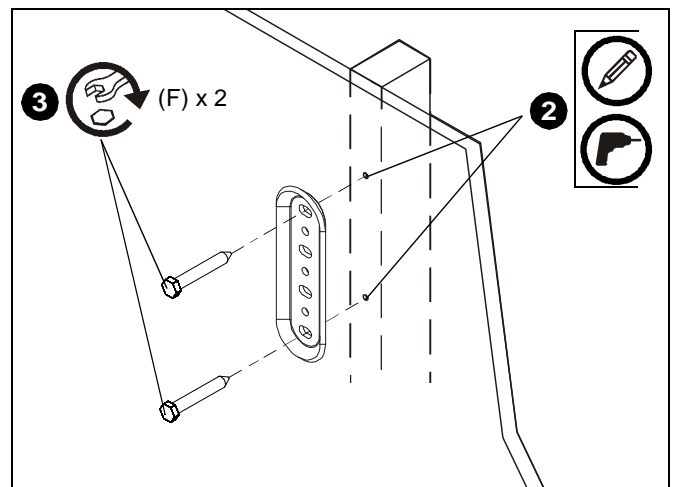


Figure 1

CAUTION: Overtightening screws may cause wall bracket to compress into soft wall surface, resulting in difficult mount installation or improper engaging of set screw in later step.

5. Insert top of wall mount (A, B or C) over lip on top of wall plate (D). (See Figure 2)
6. Swing wall mount down flush against wall.

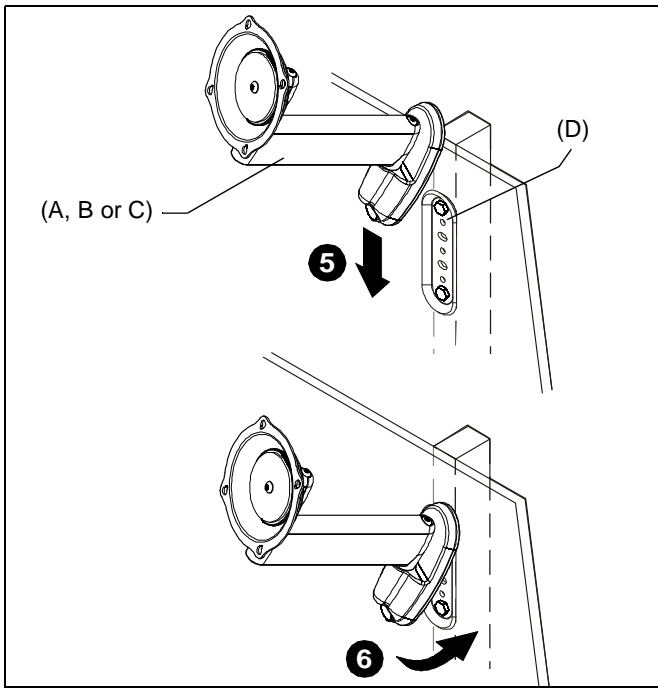


Figure 2

7. Tighten set screw in bottom of wall mount. (See Figure 3)
- NOTE:** Ensure set screw engages on back side of wall plate to properly secure wall mount.

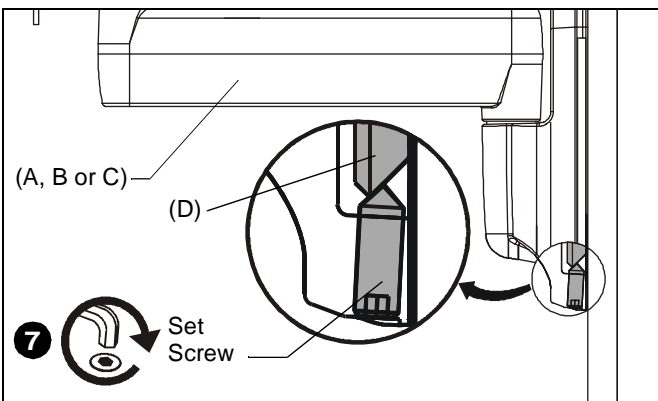


Figure 3

DISPLAY INSTALLATION

1. Determine mounting pattern on display.

WARNING: IMPROPER INSTALLATION CAN LEAD TO EQUIPMENT FALLING CAUSING SERIOUS PERSONAL INJURY AND DAMAGE TO EQUIPMENT! DO NOT substitute hardware. Use only hardware supplied by manufacturer!

WARNING: IMPROPER INSTALLATION CAN LEAD TO ELECTRIC SHOCK OR DAMAGE TO EQUIPMENT! Screw length must not exceed the depth of threaded mounting insert in display.

WARNING: OVERTIGHTENING OF SCREWS CAN DAMAGE PARTS AND LEAD TO SERIOUS PERSONAL INJURY AND DAMAGE TO EQUIPMENT! DO NOT over tighten screws when installing interface bracket.

NOTE: If the display being installed has a 100x100 VESA mounting pattern, no interface bracket is required and the display can be mounted directly to the mounting plate as outlined below.

NOTE: If the display being installed requires an interface bracket, refer to the interface bracket installation instructions.

WARNING: IMPROPER INSTALLATION CAN LEAD TO DISPLAY FALLING CAUSING SERIOUS PERSONAL INJURY OR DAMAGE TO EQUIPMENT! Using screws of improper size may damage your display! Proper screws will easily and completely thread into display mounting holes. Ensure that screws are not too long.

WARNING: IMPROPER INSTALLATION CAN LEAD TO DISPLAY FALLING CAUSING SERIOUS PERSONAL INJURY OR DAMAGE TO EQUIPMENT! Inadequate thread engagement in display may cause display to fall! Back out screws ONLY as necessary to allow installation of mounting plate!

1. Start two M4 x 8mm Phillips pan head screws (included in hardware kit) into upper mounting holes in display back. (See Figure 4)

NOTE: Leave at least 1/8" of each screw protruding out back of display.

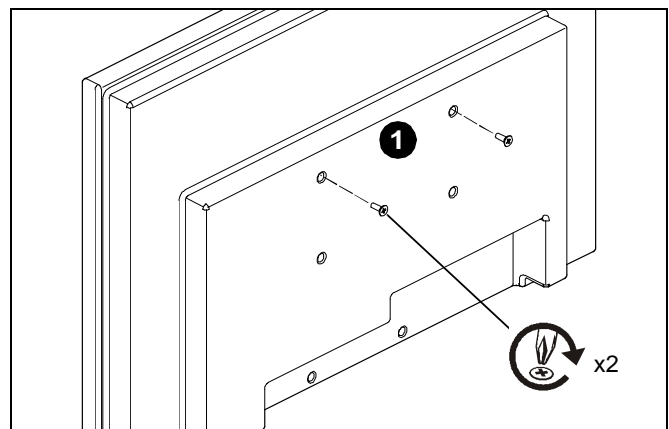


Figure 4

2. Align two screws in display back with upper teardrop mounting holes in mounting plate and lower display until screws are seated in lower area of teardrop mounting holes. (See Figure 5)

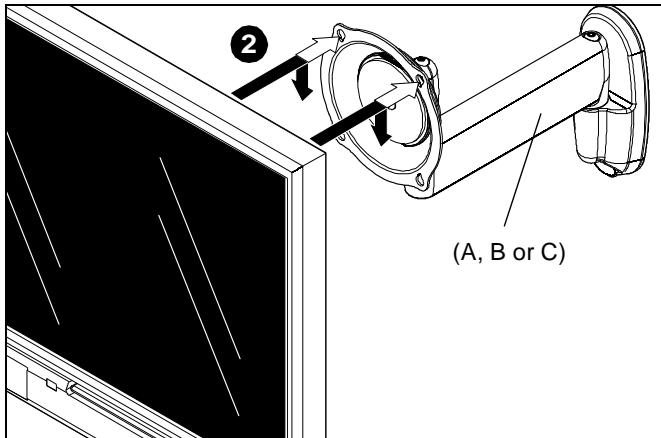


Figure 5

3. Install two more of the same screws through lower mounting holes in display mounting plate and into display back. (See Figure 6)

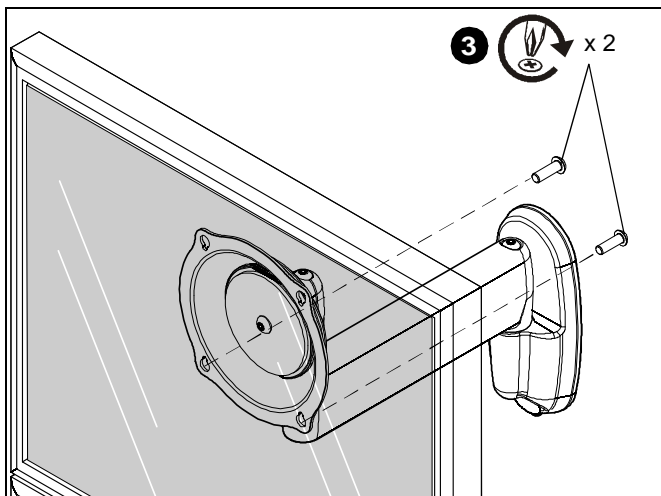


Figure 6

4. Tighten all hardware.

CABLE MANAGEMENT

1. Attach all cables to display.



CAUTION: Ensure that adequate cable slack exists for movement of display, and that cables will not be pinched by installation of cable management cover(s) (E) or screws (G).

2. Carefully insert cables in cavity located in lower portion of mount arm (See Figure 7).
3. Install cover (E) with two 8-32 x 3/8" Phillips screws (G). (See Figure 7)

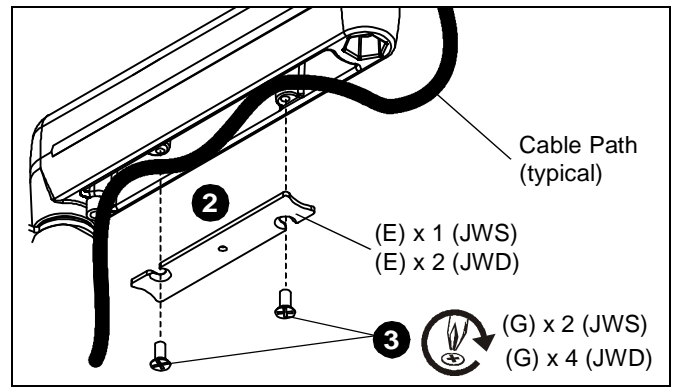


Figure 7

ADJUSTMENTS

PIVOT / SWING TENSION

1. Slightly loosen or tighten the adjustment screw(s) as necessary (See Figure 8).

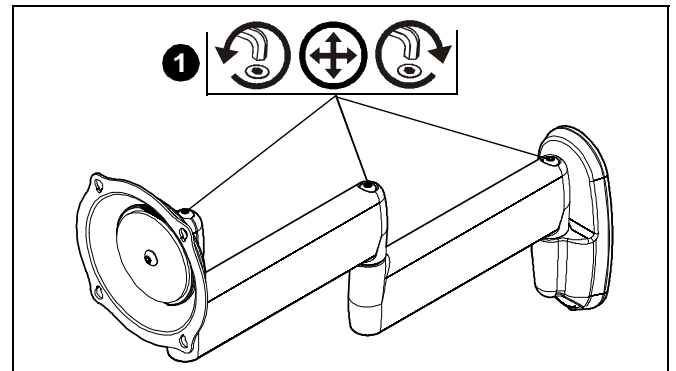


Figure 8

DISPLAY ROLL / PITCH / YAW TENSION:

1. Disconnect all wires and cable from the display.
2. Remove two *Lower* screws securing display to Centris cup.
3. Loosen two *Upper* screws securing display.
4. Lift display upward and away from mount.
5. Turn the tension adjustment screw clockwise to increase tension, or counter-clockwise to decrease tension. (See Figure 9)
6. Re-install display.

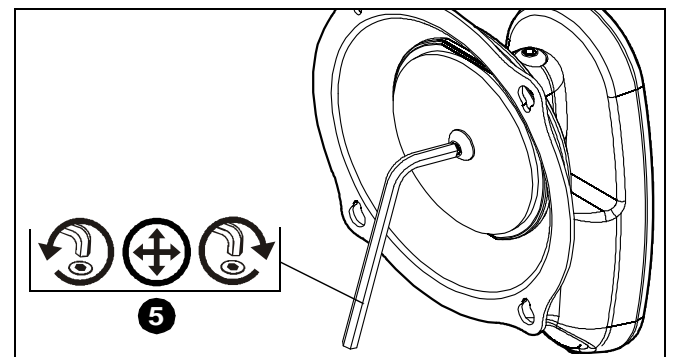


Figure 9



Our Mounts. **Your Vision.**

Chief Manufacturing, a products division
of Milestone AV Technologies

8832-000253 Rev01
©2010 Milestone AV Technologies, a
Duchossois Group Company
www.chiefmfg.com
02/10

USA/International

A 8401 Eagle Creek Parkway, Savage, MN 55378
P 800.582.6480 / 952.894.6280
F 877.894.6918 / 952.894.6918

Europe

A Fellenoord 130 5611 ZB EINDHOVEN, The Netherlands
P +31 (0)40 2668620
F +31 (0)40 2668615

Asia Pacific

A Office No. 1 on 12/F, Shatin Galleria
18-24 Shan Mei Street
Fotan, Shatin, Hong Kong
P 852 2145 4099
F 852 2145 4477

