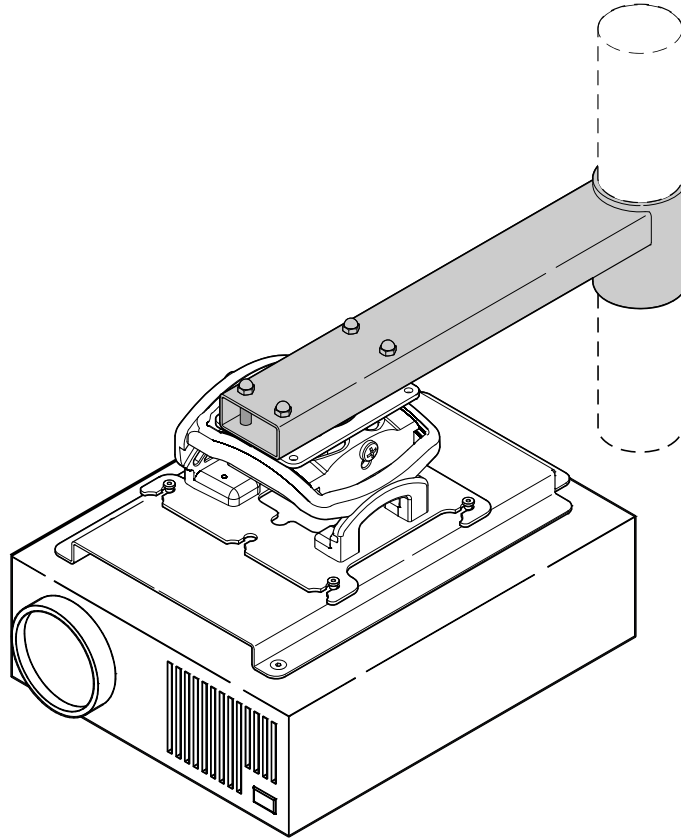


# INSTALLATION INSTRUCTIONS



---

**Projector Arm Accessory**

---

**DISCLAIMER**

CSAV, Inc., and its affiliated corporations and subsidiaries (collectively, "CSAV"), intend to make this manual accurate and complete. However, CSAV makes no claim that the information contained herein covers all details, conditions or variations, nor does it provide for every possible contingency in connection with the installation or use of this product. The information contained in this document is subject to change without notice or obligation of any kind. CSAV makes no representation of warranty, expressed or implied, regarding the information contained herein. CSAV assumes no responsibility for accuracy, completeness or sufficiency of the information contained in this document.

**! IMPORTANT WARNINGS AND CAUTIONS!**

**! WARNING:** A WARNING alerts you to the possibility of serious injury or death if you do not follow the instructions.

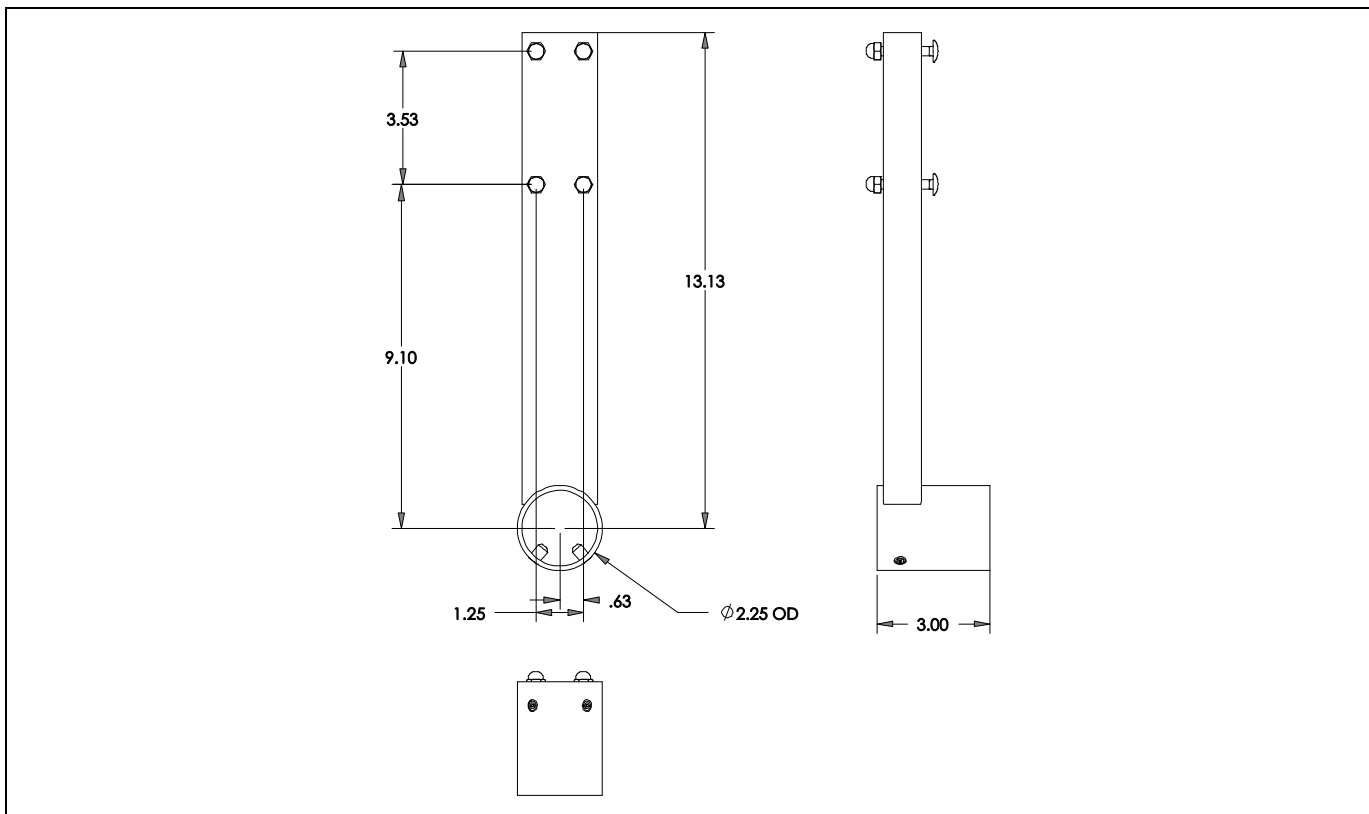
**! CAUTION:** A CAUTION alerts you to the possibility of damage or destruction of equipment if you do not follow the corresponding instructions.

**! WARNING:** Failure to read, thoroughly understand, and follow all instructions can result in serious personal injury, damage to equipment, or voiding of factory warranty! It is the installer's responsibility to make sure all components are properly assembled and installed using the instructions provided.

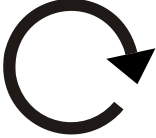
**! WARNING:** Failure to provide adequate structural strength for this component can result in serious personal injury or damage to equipment! It is the installer's responsibility to make sure the structure to which this component is attached can support five times the combined weight of all equipment. Reinforce the structure as required before installing the component.

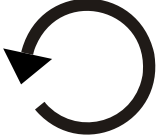
**! WARNING:** EXCEEDING STATED WEIGHT CAPACITY CAN RESULT IN SERIOUS PERSONAL INJURY OR DAMAGE TO EQUIPMENT! It is the installer's responsibility to make sure the combined weight of all components attached to the LCDPA does not exceed 50 lbs (22.68 kg).


**DIMENSIONS**




**LEGEND**


	<b>Tighten Fastener</b>
	Apretar elemento de fijación
	Befestigungsteil festziehen
	Apertar fixador
	Serrare il fissaggio
	Bevestiging vastdraaien
	Serrez les fixations


	<b>Loosen Fastener</b>
	Aflojar elemento de fijación
	Befestigungsteil lösen
	Desapertar fixador
	Allentare il fissaggio
	Bevestiging losdraaien
	Desserrez les fixations


	<b>Phillips Screwdriver</b>
	Destornillador Phillips
	Kreuzschlitzschraubendreher
	Chave de fendas Phillips
	Cacciavite a stella
	Kruiskopschroevendraaier
	Tournevis à pointe cruciforme

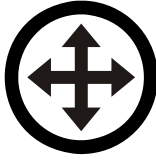
	<b>Open-Ended Wrench</b>
	Llave de boca
	Gabelschlüssel
	Chave de bocas
	Chiave a punte aperte
	Steeksleutel
	Clé à fourche


	<b>By Hand</b>
	A mano
	Von Hand
	Com a mão
	A mano
	Met de hand
	À la main


	<b>Hex-Head Wrench</b>
	Llave de cabeza hexagonal
	Sechskantschlüssel
	Chave de cabeça sextavada
	Chiave esagonale
	Zeskantsleutel
	Clé à tête hexagonale


	<b>Pencil Mark</b>
	Marcar con lápiz
	Stiftmarkierung
	Marcar com lápis
	Segno a matita
	Potloodmerkteken
	Marquage au crayon

	<b>Drill Hole</b>
	Perforar
	Bohrloch
	Fazer furo
	Praticare un foro
	Gat boren
	Percez un trou

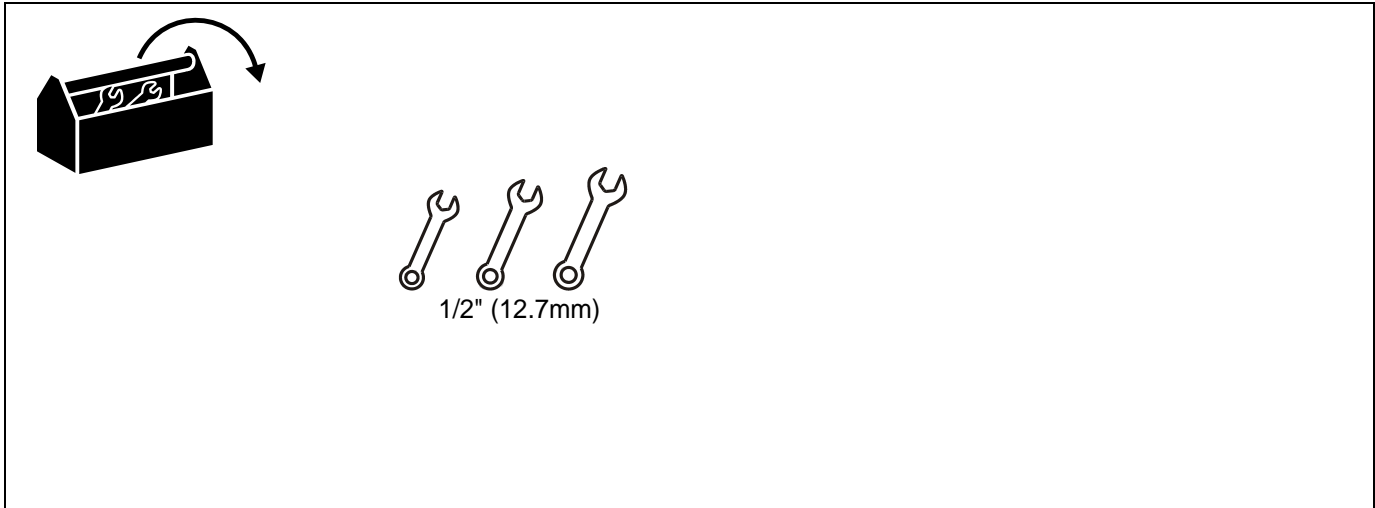
	<b>Adjust</b>
	Ajustar
	Einstellen
	Ajustar
	Regolare
	Afstellen
	Ajuster

	<b>Remove</b>
	Quitar
	Entfernen
	Remover
	Rimuovere
	Verwijderen
	Retirez

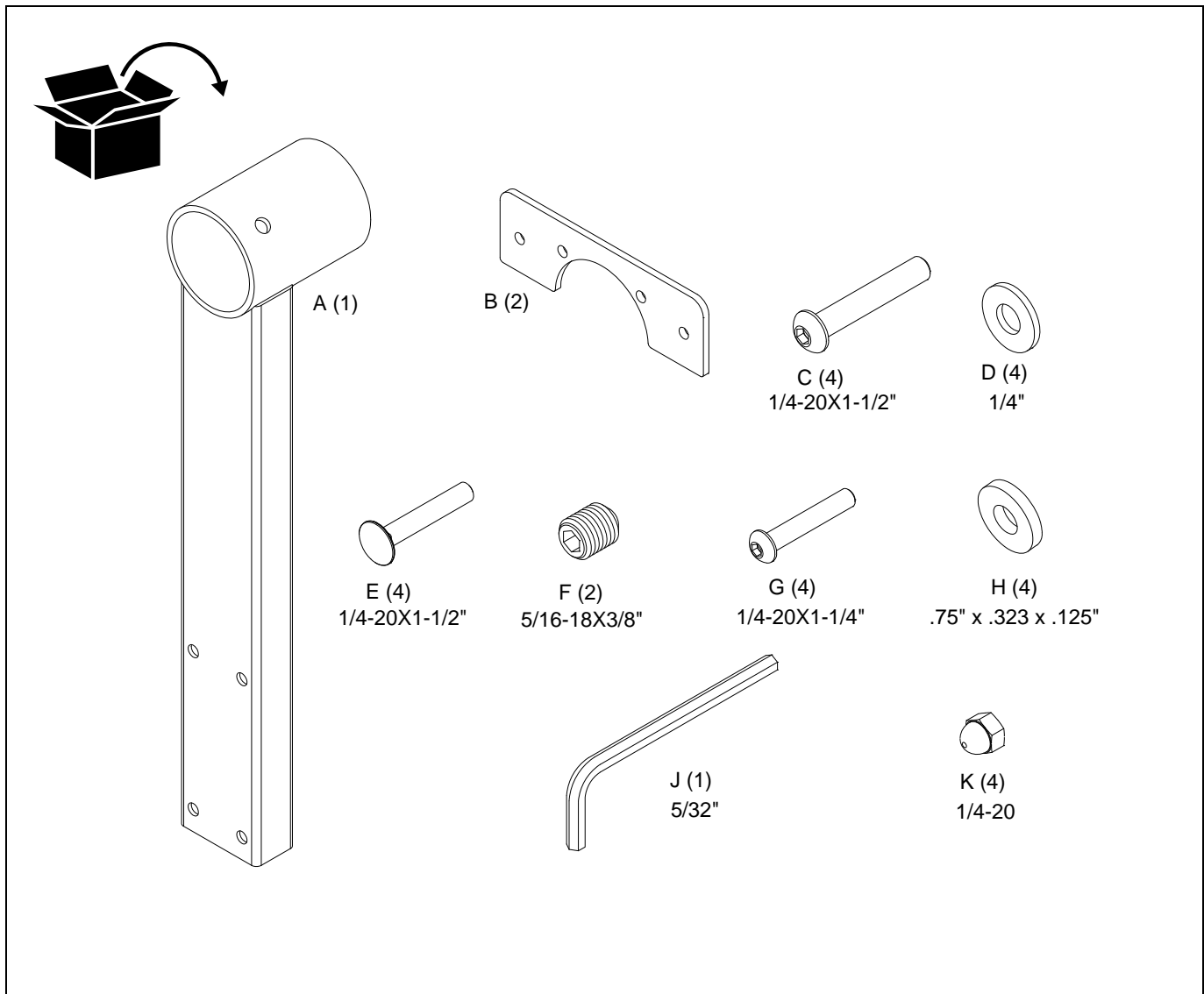
	<b>Optional</b>
	Opcional
	Optional
	Opcional
	Opzionale
	Optie
	En option

	<b>Security Wrench</b>
	Llave de seguridad
	Sicherheitsschlüssel
	Chave de segurança
	Chiave di sicurezza
	Veiligheidssleutel
	Clé de sécurité

### TOOLS REQUIRED FOR INSTALLATION



### PARTS



## INSTALLATION

### Projector Arm Installation



**WARNING:** Failure to provide adequate structural strength for this component can result in serious personal injury or damage to equipment! It is the installer's responsibility to make sure the structure to which this component is attached can support five times the combined weight of all equipment. Reinforce the structure as required before installing the component.

1. Install NPT Pipe to ceiling plate or base following the instructions provided with ceiling plate or base.
2. Slide projector arm (A) onto pipe and position at desired location.
3. Secure projector arm (A) to NPT pipe using two 5/16-18X3/8" set screws (F). (See Figure 1)



**WARNING:** IMPROPER INSTALLATION CAN LEAD TO MOUNT FALLING CAUSING SEVERE PERSONAL INJURY OR DAMAGE TO EQUIPMENT! In installations where pipe is mounted to the ceiling, and end cap **MUST** be used on bottom end of pipe. (See Figure 1)

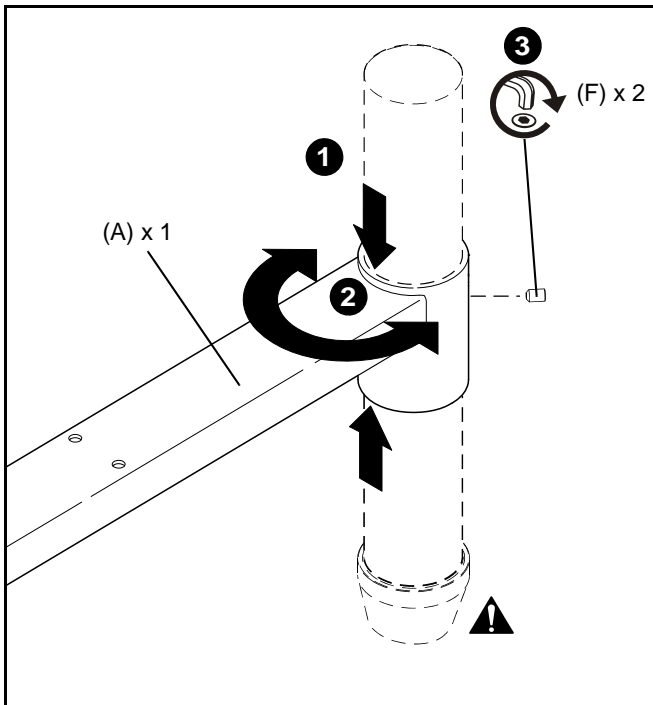


Figure 1

### RPA Projector Mount Installation

1. Orient two interface plates (B) as shown in figure below.
2. Align mounting holes in interface plates (B) with slotted holes in RPA. (See Figure 2)
3. Secure two interface plates (B) to RPA using four 1/4-20 X 1-1/2" carriage bolts (E) . (See Figure 2)

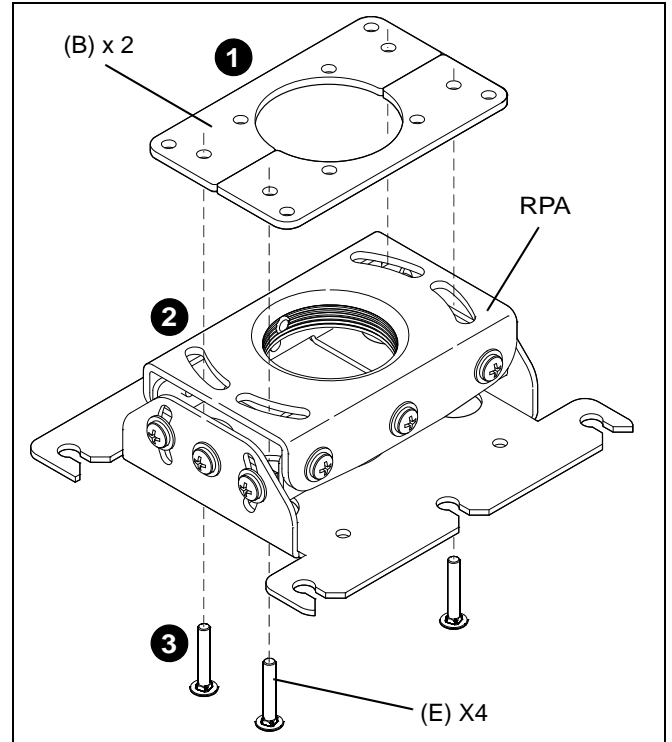


Figure 2

4. Attach RPA with interface plates (B) to projector arm (A) using four 1/4" flat washers (D) and four 1/4-20 acorn nuts (K).

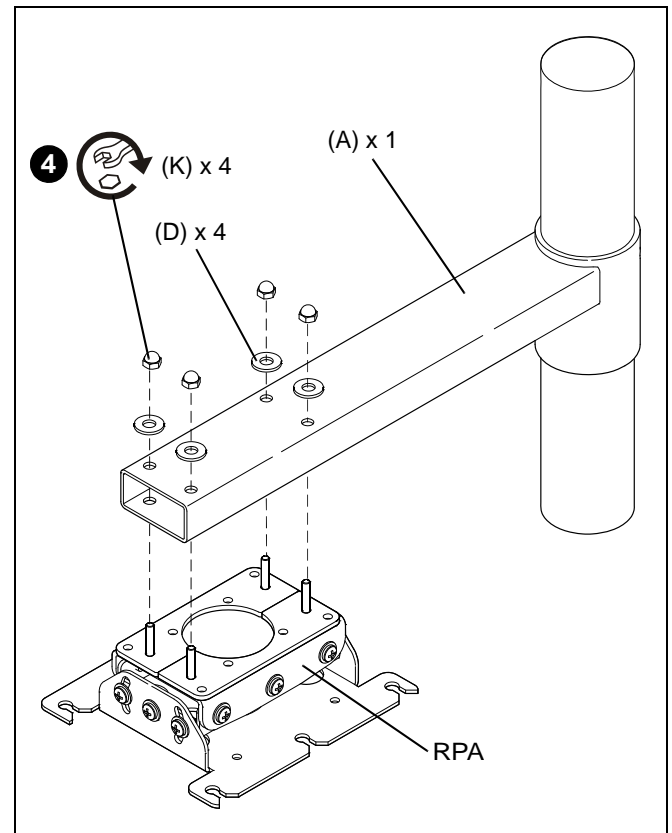
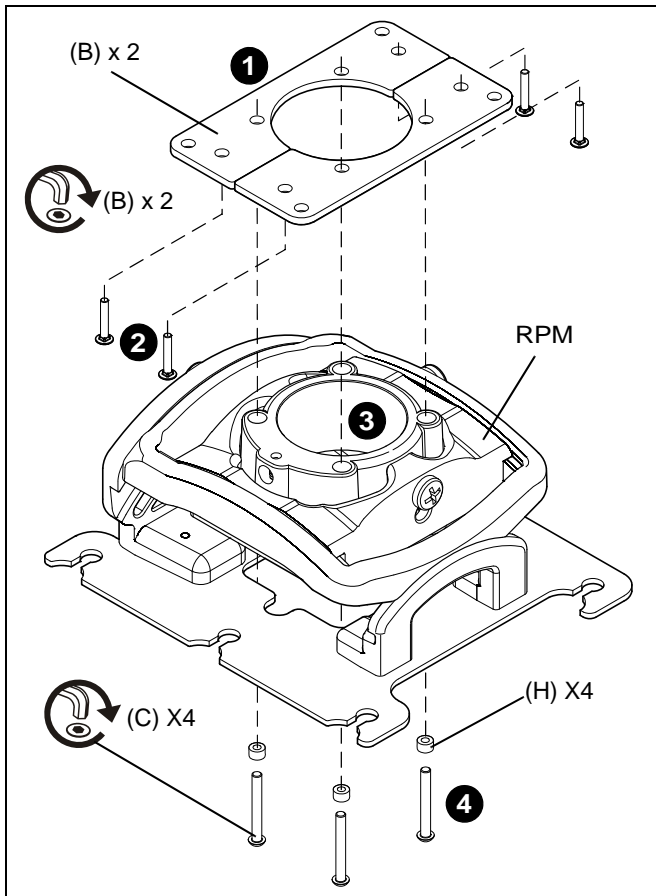


Figure 3

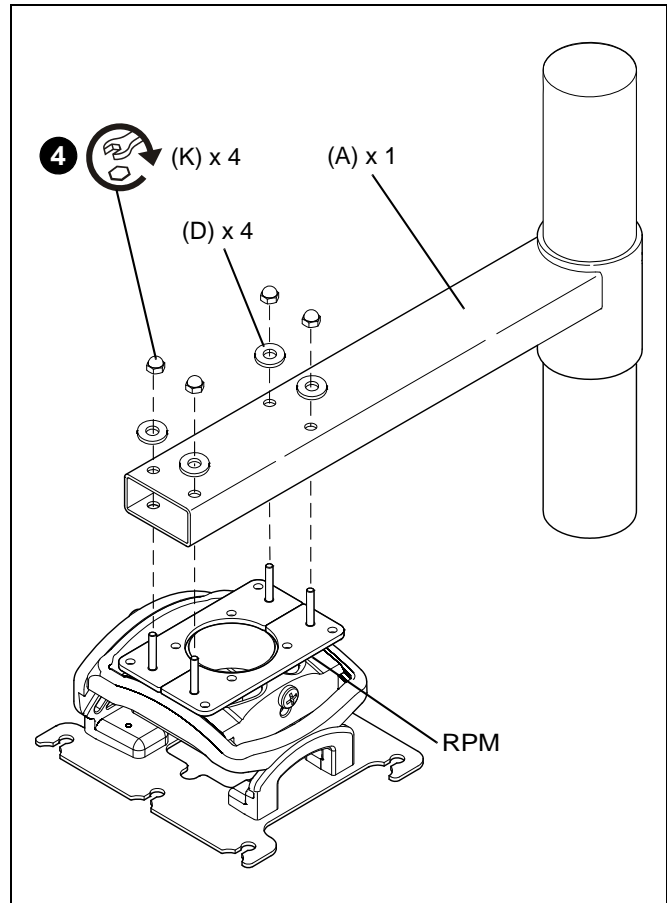
### RPM Series Projector Mount Installation

1. Install projector arm (A) following the previously described instructions. (See *Projector Arm Installation*)
2. Orient two interface plates (B) as shown in figure below.
3. Align mounting holes in interface plates (B) with holes in RPM. (See Figure 4)
4. Place one Nylon spacer (H) onto each of four 1/4"-20 x 1-1/2" button head cap screws (C). (See Figure 4)
5. Insert four 1/4"-20 x 1-1/2" button head cap screws (C) with nylon spacers (H) through bottom of the RPM and into two interface plates (B). (See Figure 4)
6. Tighten screws until two interface plates (B) are snug against RPM.



**Figure 4**

7. Attach RPM with interface plates (B) to projector arm (A) using four 1/4" flat washers (D) and four 1/4-20 acorn nuts (K). (See Figure 5)



**Figure 5**

Install projector to RPA/RPM following the instructions provided with RPA/RPM projector mount.





8803-000077  
©2007 Chief Manufacturing  
[www.chiefmfg.com](http://www.chiefmfg.com)  
03/07

<b>USA/International</b>	<b>A</b> 8401 Eagle Creek Parkway, Savage, MN 55378 <b>P</b> 800.582.6480 / 952.894.6280 <b>F</b> 877.894.6918 / 952.894.6918
<b>Europe</b>	<b>A</b> Fellenoord 130 5611 ZB EINDHOVEN, The Netherlands <b>P</b> +31 (0)40 2668620 <b>F</b> +31 (0)40 2668615
<b>Asia Pacific</b>	<b>A</b> Room 30I, Block D, Lily YinDu International Building LuoGang, BuJi Town, Shenzhen, CHINA. Post Code: 518112 深圳市布吉罗岗百合银都国际大厦D栋30I <b>P</b> +86-755-8996 9226 ; 8996 9236 ; 8996 9220 <b>F</b> +86-755-8996 9217

