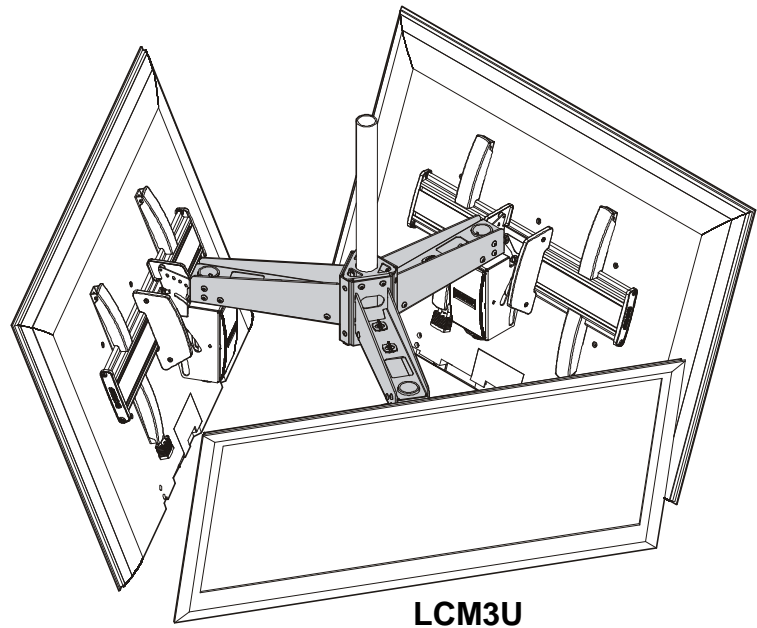
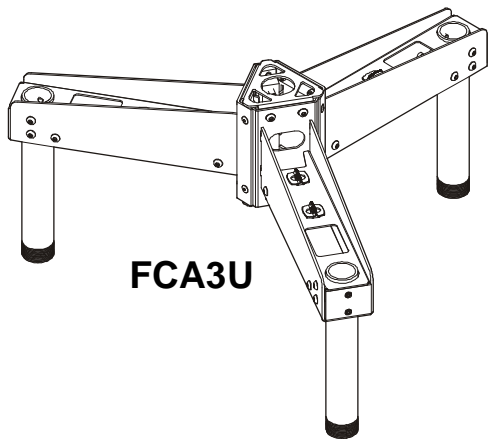


INSTALLATION INSTRUCTIONS




Triple Ceiling Accessory

DISCLAIMER

Milestone AV Technologies and its affiliated corporations and subsidiaries (collectively "Milestone"), intend to make this manual accurate and complete. However, Milestone makes no claim that the information contained herein covers all details, conditions or variations, nor does it provide for every possible contingency in connection with the installation or use of this product. The information contained in this document is subject to change without notice or obligation of any kind. Milestone makes no representation of warranty, expressed or implied, regarding the information contained herein. Milestone assumes no responsibility for accuracy, completeness or sufficiency of the information contained in this document.

Chief® is a registered trademark of Milestone AV Technologies. All rights reserved.

 **IMPORTANT SAFETY INSTRUCTIONS**

 **WARNING:** A WARNING alerts you to the possibility of serious injury or death if you do not follow the instructions.

 **CAUTION:** A CAUTION alerts you to the possibility of damage or destruction of equipment if you do not follow the corresponding instructions.

 **WARNING:** Failure to read, thoroughly understand, and follow all instructions can result in serious personal injury, damage to equipment, or voiding of factory warranty! It is the installer's responsibility to make sure all components are properly assembled and installed using the instructions provided.

 **WARNING:** Failure to provide adequate structural strength for this component can result in serious personal injury or damage to equipment! It is the installer's responsibility to make sure the structure to which this component is attached can support five times the combined weight of all equipment. Reinforce the structure as required before installing the component.




 **WARNING:** Exceeding the weight capacity can result in serious personal injury or damage to equipment! It is the installer's responsibility to make sure the combined weight of all components located within the mounting system of the FCA3U models does not exceed maximum weights listed in Table 1.

Table 1: Weight Capacity

MODEL	Max Weight Allowed for EACH Display	Total Max Weight Capacity of Mounting System w/Accessory
FCA3U	125 lbs (56.7 kg)	with three LCM1U or MCM1U 375 lbs (170.1 kg)
	125 lbs (56.7 kg)	with three RLC1 or RMC1 375 lbs (170.1 kg)

 **WARNING:** Never operate this mounting system if it is damaged. Return the mounting system to a service center for examination and repair.

 **WARNING:** Do not use this product outdoors.

IMPORTANT ! : The FCA3U is designed to be mounted to a 1-1/2" NPT or NPSM following ANSI/ASME B1.20.1 (Schedule 40, 0.154" minimum thickness steel or aluminum-ASTM B221) threaded extension column, or a UL Listed Chief CPA column (not included).

NOTE: The FCA3U accessory is intended to be used with the UL Listed CPA Ceiling Plates (not included): CPA330, CPA365, CPA395.

NOTE: The FCA3U accessory may also be used with the UL Listed Chief ceiling plates WITHOUT swaged collars (not included): CMA330, CMA345, CMA395.

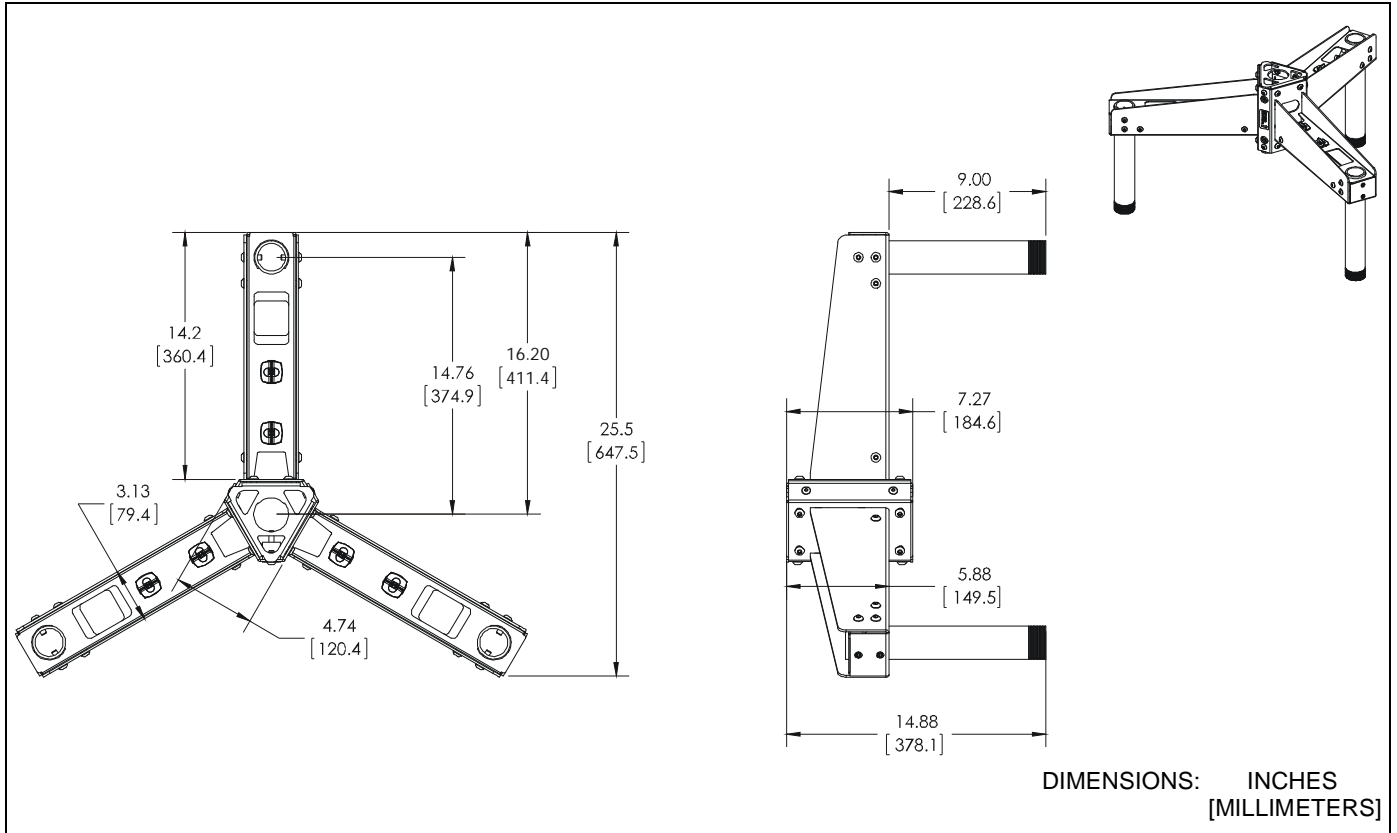
NOTE: The UL Listed FCA3U accessory may be used with the following UL Listed models:

- MCM1U
- MCM1US
- LCM1U
- LCM1US
- RLC1
- RMC1

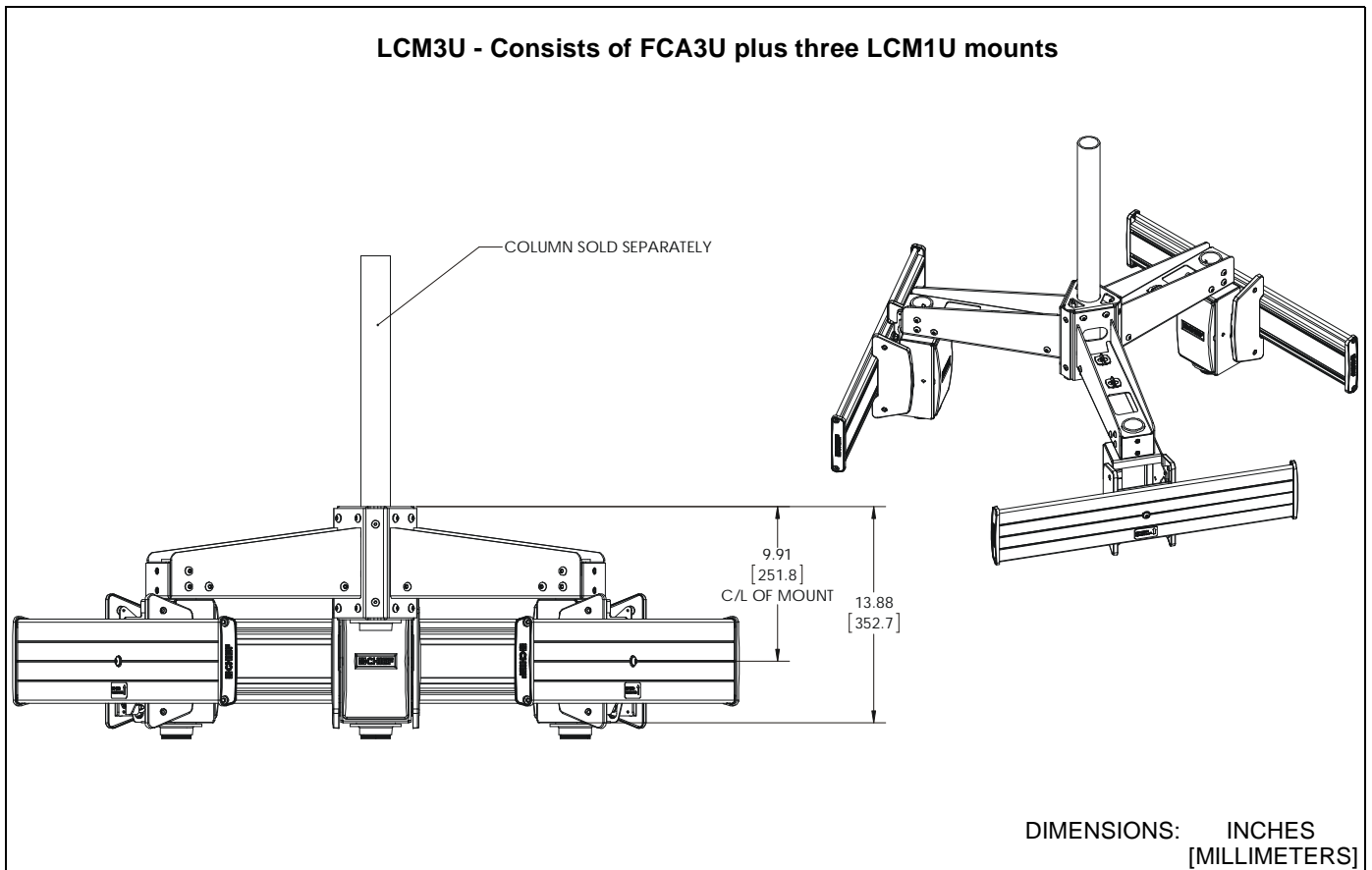
NOTE: The FCA3U accessory is included with the UL Listed LCM3U Ceiling Mount. The LCM3U consists of the FCA3U accessory plus three LCM1U ceiling mounts.

--SAVE THESE INSTRUCTIONS--

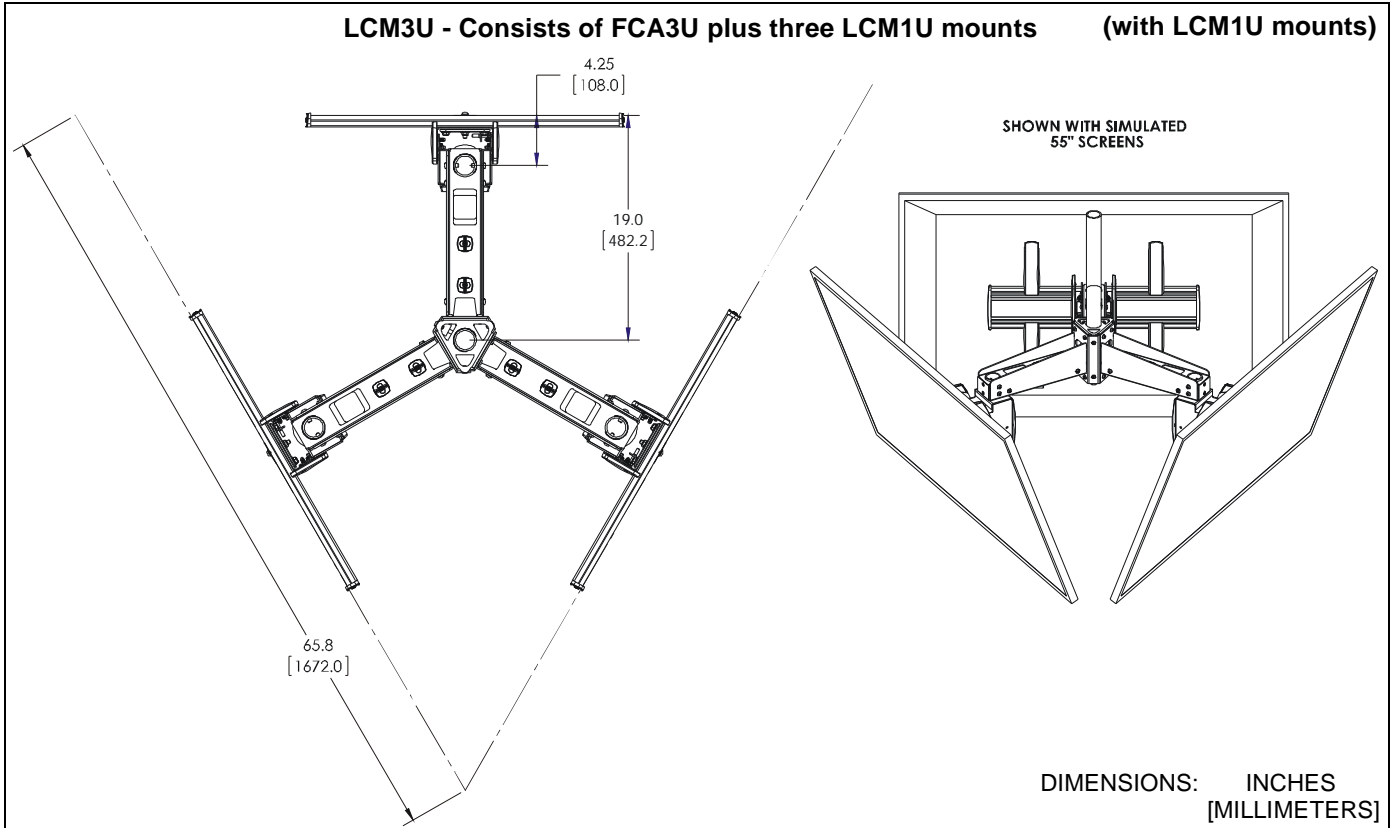
DIMENSIONS



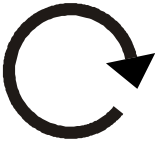

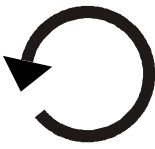



LCM3U - Consists of FCA3U plus three LCM1U mounts



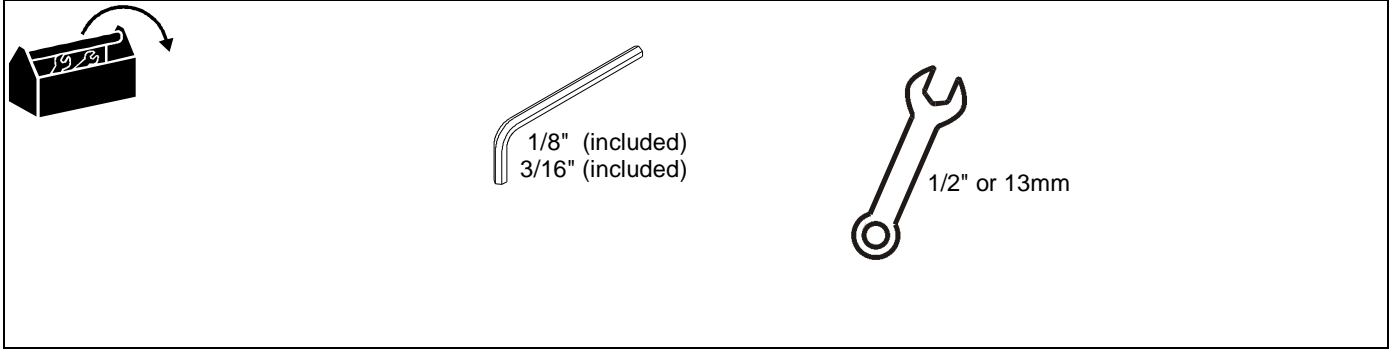
DIMENSIONS (cont'd)



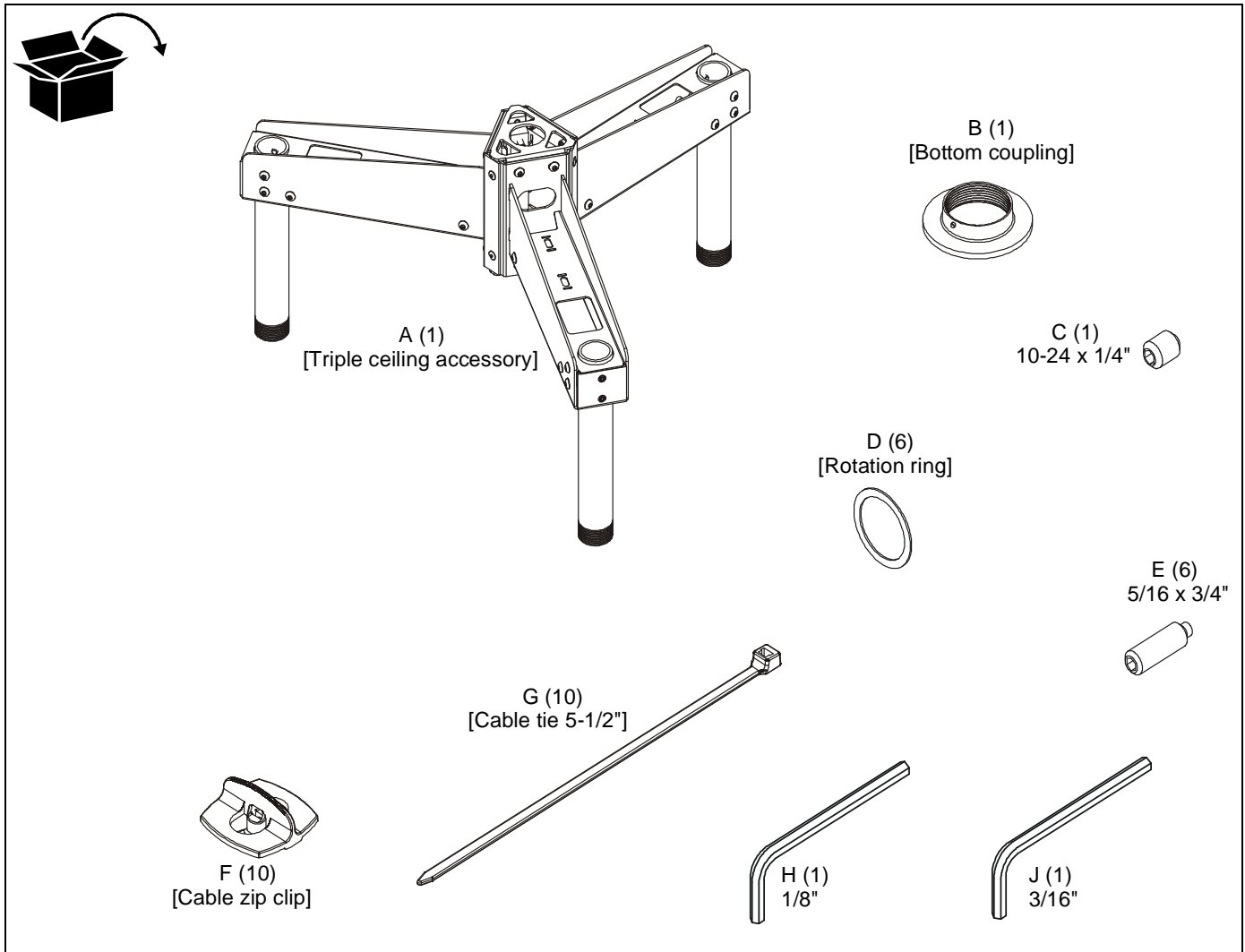
LEGEND

	<p>Tighten Fastener</p> <p>Apretar elemento de fijación</p> <p>Befestigungsteil festziehen</p> <p>Apertar fixador</p> <p>Serrare il fissaggio</p> <p>Bevestiging vastdraaien</p> <p>Serrez les fixations</p>		<p>Open-Ended Wrench</p> <p>Llave de boca</p> <p>Gabelschlüssel</p> <p>Chave de bocas</p> <p>Chiave a punte aperte</p> <p>Steeksleutel</p> <p>Clé à fourche</p>
	<p>Loosen Fastener</p> <p>Aflojar elemento de fijación</p> <p>Befestigungsteil lösen</p> <p>Desapertar fixador</p> <p>Allentare il fissaggio</p> <p>Bevestiging losdraaien</p> <p>Desserrez les fixations</p>		<p>Hex-Head Wrench</p> <p>Llave de cabeza hexagonal</p> <p>Sechskantschlüssel</p> <p>Chave de cabeça sextavada</p> <p>Chiave esagonale</p> <p>Zeskantsleutel</p> <p>Clé à tête hexagonale</p>
	<p>Phillips Screwdriver</p> <p>Destornillador Phillips</p> <p>Kreuzschlitzschraubendreher</p> <p>Chave de fendas Phillips</p> <p>Cacciavite a stella</p> <p>Kruiskopschroevendraaier</p> <p>Tournevis à pointe cruciforme</p>		<p>By Hand</p> <p>A mano</p> <p>Von Hand</p> <p>Com a mão</p> <p>A mano</p> <p>Met de hand</p> <p>À la main</p>

TOOLS REQUIRED FOR INSTALLATION



PARTS



INSTALLATION

NOTE: The following procedure assumes that a UL Listed CMA ceiling plate or CPA ceiling plate (not included) and a 1-1/2" NPT or NPSM following ANSI/ASME B1.20.1 (Schedule 40, 0.154" minimum thickness steel or aluminum-ASTM B221) threaded extension column, or a UL Listed Chief CPA column (not included) have been properly installed following instructions provided with ceiling plate and extension column.

Preparing FCA3U

1. **OPTIONAL:** Add cable zip clips (F) to each arm of triple ceiling accessory (A). (See Figure 1)

NOTE: Cables may instead be routed through the arms and columns of the triple ceiling accessory.

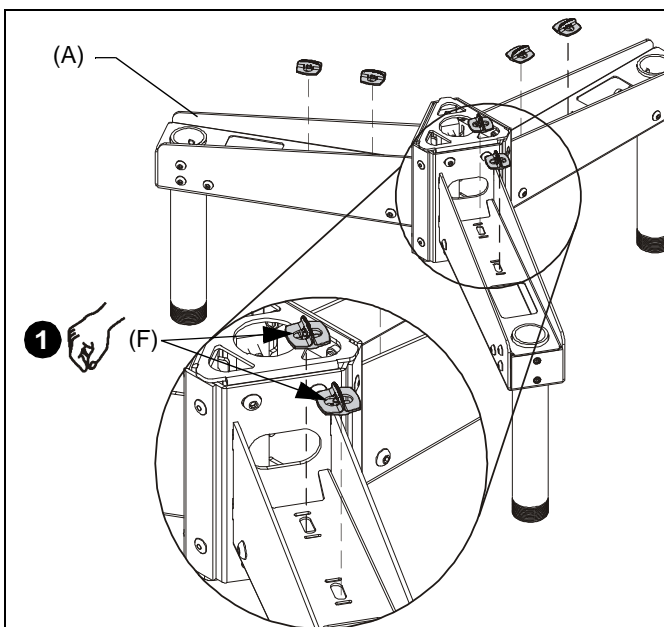


Figure 1

Installing FCA3U to 1-1/2" NPT Column

1. Slide triple ceiling accessory (A) up from below onto installed column (not included). (See Figure 2)
2. Thread bottom coupling (B) onto installed column at base of triple ceiling accessory until tight, with a minimum of four threads engaged. (See Figure 2)
3. Install and tighten one 10-24 x 1/4" set screw (C) into bottom coupling (B). (See Figure 2)
4. Tighten two existing 5/16 x 1-1/2" button head cap screws in center of triple ceiling accessory. (See Figure 2)
5. Proceed to **Installing Mount Assemblies and Screens** section.

Installing FCA3U to CPA Extension Column

NOTE: In following Steps 1 through 5, bottom stop collar and hardware is included with mount assemblies.

1. Slide triple ceiling accessory (A) up from below onto installed column (not included). (See Figure 3)

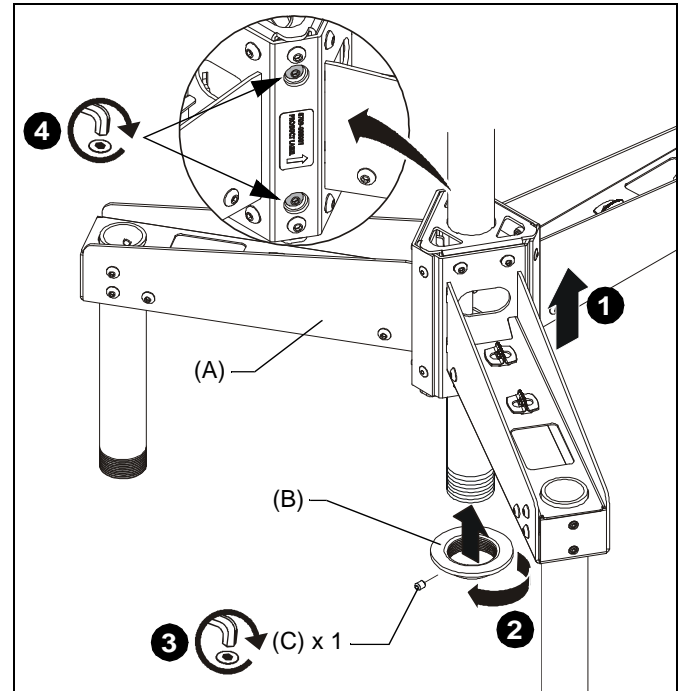


Figure 2

2. Slide bottom stop collar onto installed column, lining up holes in collar with holes in column.

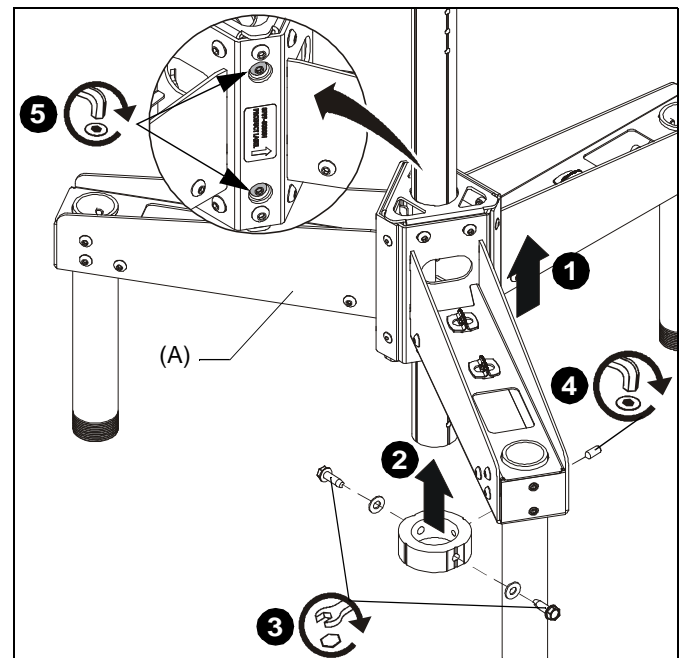


Figure 3

3. Install two 5/16" x 1" self-tapping screws through two 5/16" flat washers, bottom stop collar, and into installed column.
4. Install and tighten 5/16" x 3/4" set screw into bottom stop collar. (See Figure 3)
5. Tighten two existing 5/16 x 1-1/2" button head cap screws in center of triple ceiling accessory. (See Figure 3)

Installing Mount Assemblies and Screens

NOTE: In the following Steps 1-6, parts **not** designated with a letter are included with mount assemblies.

1. **OPTIONAL:** Slide one rotation ring (D) up onto leg of the triple ceiling accessory (A). (See Figure 4)

NOTE: The rotation rings only need to be installed if the mount assemblies will be rotated after installation.

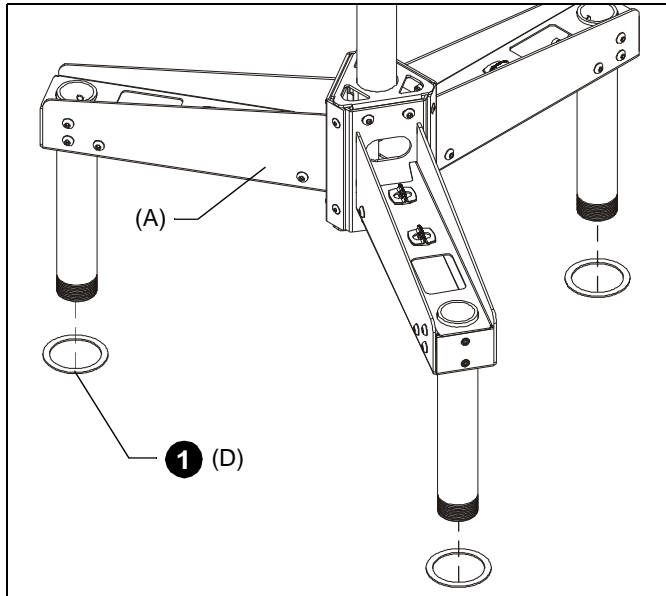


Figure 4

2. Slide mount assembly onto leg of the triple ceiling accessory.
3. Insert one rotation ring (D) below mount assembly on leg of the triple ceiling accessory. (See Figure 5)
4. Thread bottom coupling onto leg of triple ceiling accessory until tight, with a minimum of four threads engaged. (See Figure 5)

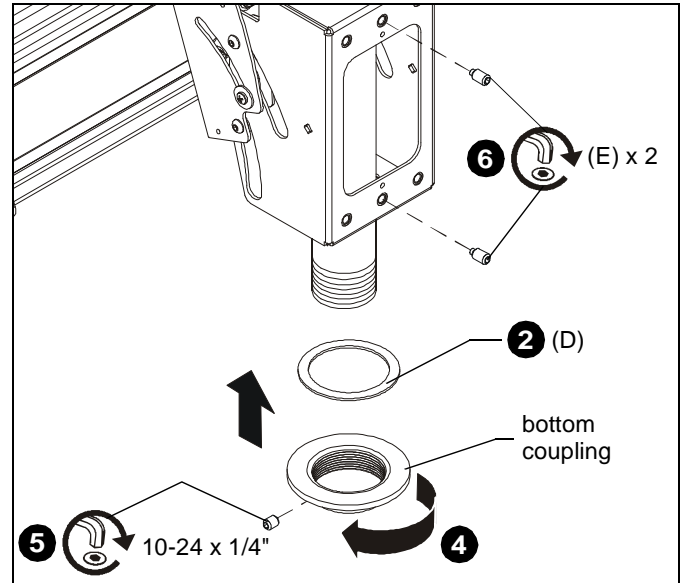


Figure 5

5. Install and tighten one 10-24 x 1/4" set screw into bottom coupling. (See Figure 5)
6. Install and tighten two 5/16" nylon tipped set screws (E) [OR two 5/16" set screws included with mount assembly] through back of mount assembly and against column. (See Figure 5)

NOTE: The nylon tipped set screws (E) only need to be installed if the mount assemblies will be rotated after installation. If no rotation is necessary, use 5/16" set screws from mount assemblies hardware.

7. Repeat Steps 1 through 6 for remaining mount assemblies.
8. Complete installation **following the remaining steps in the Installation Instructions included with the mount assemblies.**

Cable Management

1. Cables may be routed through columns and arms of FCA3U.
2. Use cable zip clips (F) and cable ties (G) as required to hold cables in place.



Our Mounts. **Your Vision.**

Chief, a products division of
Milestone AV Technologies

8800-002452 Rev00
©2014 Milestone AV Technologies
www.chiefmfg.com
01/14

USA/International	A 6436 City West Parkway, Eden Prairie, MN 55344 P 800.582.6480 / 952.225.6000 F 877.894.6918 / 952.894.6918
Europe	A Franklinstraat 14, 6003 DK Weert, Netherlands P +31 (0) 495 580 852 F +31 (0) 495 580 845
Asia Pacific	A Office No. 1 on 12/F, Shatin Galleria 18-24 Shan Mei Street Fotan, Shatin, Hong Kong P 852 2145 4099 F 852 2145 4477

