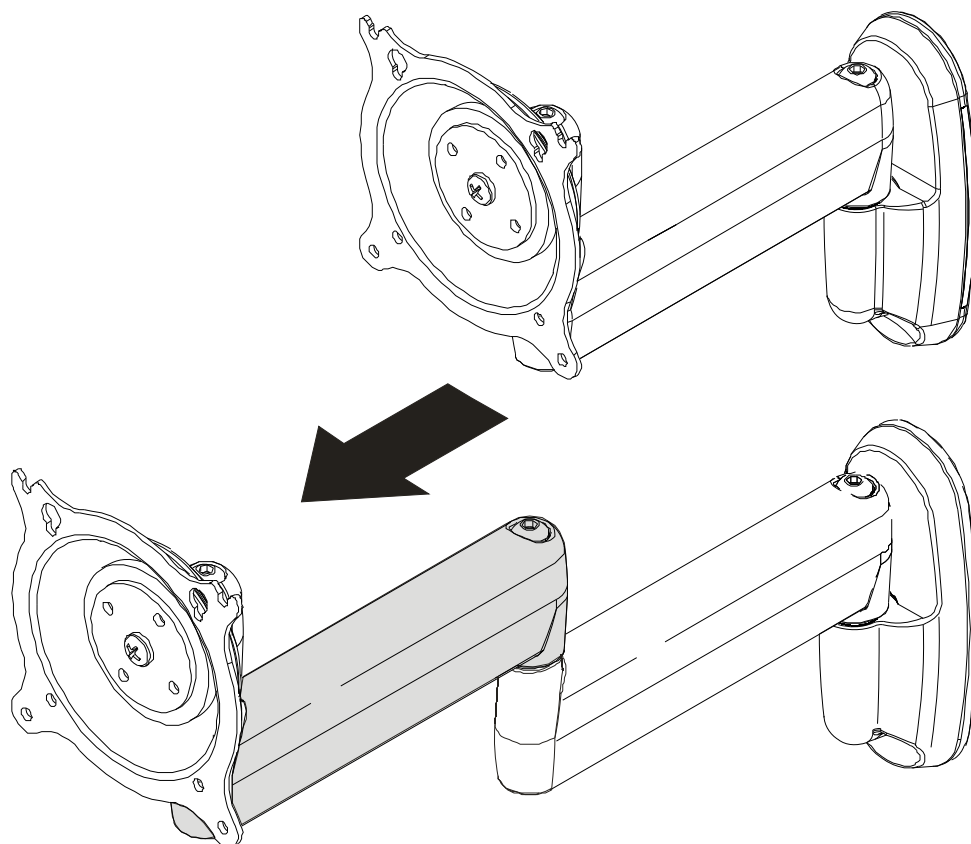


INSTALLATION INSTRUCTIONS




J-Series Static Arm Extension Kit


DISCLAIMER


Milestone AV Technologies and its affiliated corporations and subsidiaries (collectively "Milestone"), intend to make this manual accurate and complete. However, Milestone makes no claim that the information contained herein covers all details, conditions or variations, nor does it provide for every possible contingency in connection with the installation or use of this product. The information contained in this document is subject to change without notice or obligation of any kind. Milestone makes no representation of warranty, expressed or implied, regarding the information contained herein. Milestone assumes no responsibility for accuracy, completeness or sufficiency of the information contained in this document.

Chief® is a registered trademark of Milestone AV Technologies. All rights reserved.


IMPORTANT WARNINGS AND CAUTIONS!


 **WARNING:** A WARNING alerts you to the possibility of serious injury or death if you do not follow the instructions.


 **CAUTION:** A CAUTION alerts you to the possibility of damage or destruction of equipment if you do not follow the corresponding instructions.

 **WARNING:** Failure to read, thoroughly understand, and follow all instructions can result in serious personal injury,

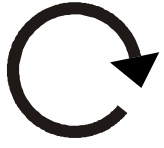
damage to equipment, or voiding of factory warranty! It is the installer's responsibility to make sure all components are properly assembled and installed using the instructions provided.

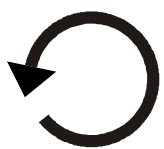
 **WARNING:** Failure to provide adequate structural strength for the installation of this kit can result in serious personal injury or damage to equipment! It is the installer's responsibility to make sure the structure to which this mount is attached can support five times the combined weight of all equipment.


 **WARNING:** Exceeding the weight capacity can result in serious personal injury or damage to equipment! It is the installer's responsibility to make sure the combined weight of all components attached to this accessory does not exceed 75 lbs (34 kg).

 **WARNING:** IMPROPER INSTALLATION CAN LEAD TO DISPLAY FALLING CAUSING SERIOUS PERSONAL INJURY OR DAMAGE TO EQUIPMENT! This accessory MUST NOT be used to make a "Triple Arm" mount out of an existing "Dual Arm" mount.

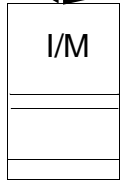
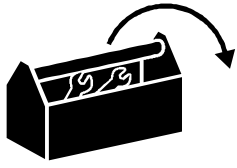
LEGEND

	Tighten Fastener
	Apretar elemento de fijación
	Befestigungsteil festziehen
	Apertar fixador
	Serrare il fissaggio
	Bevestiging vastdraaien
	Serrez les fixations
	Сожмите Застежку

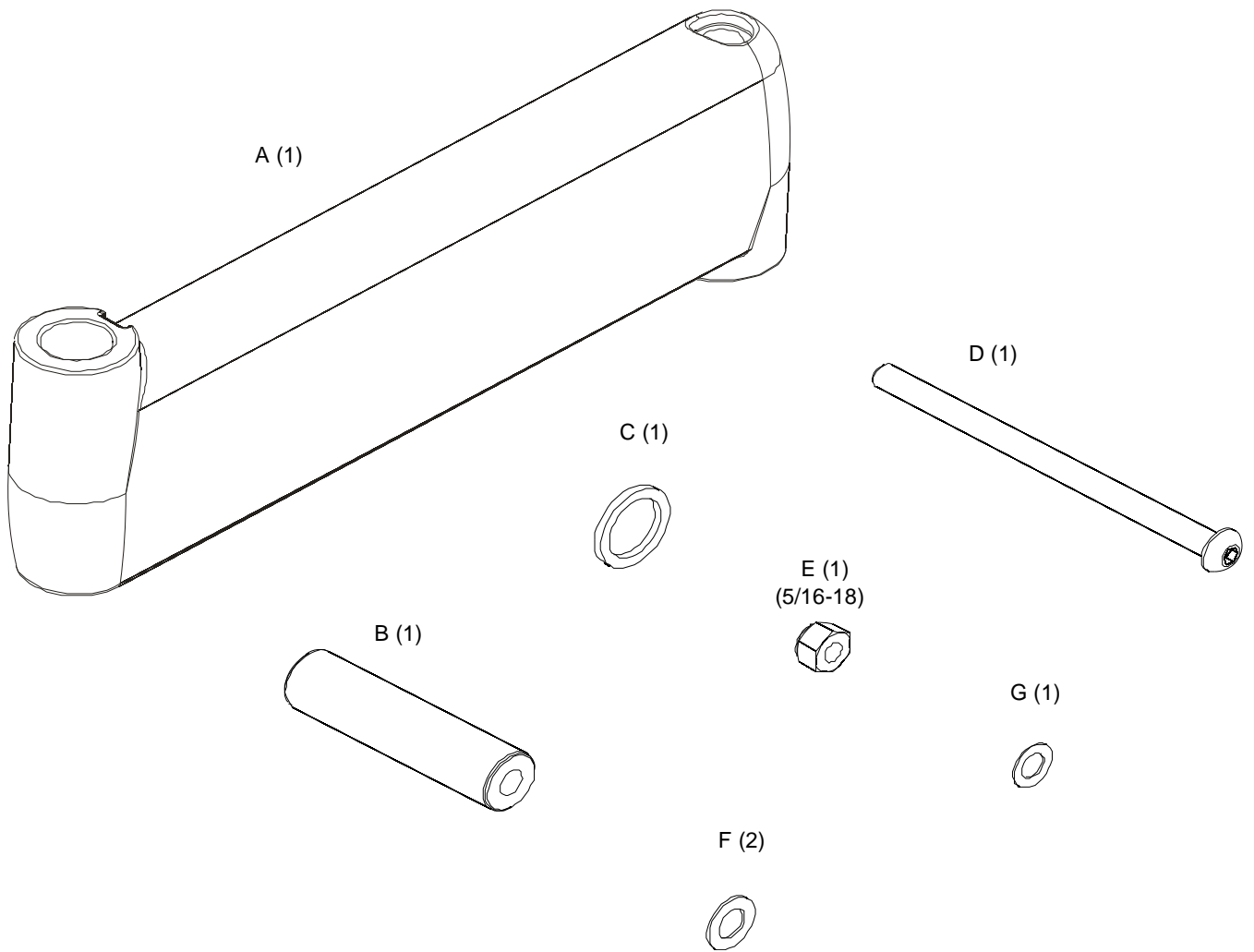
	Loosen Fastener
	Aflojar elemento de fijación
	Befestigungsteil lösen
	Desapertar fixador
	Allentare il fissaggio
	Bevestiging losdraaien
	Desserrez les fixations
	Ослабьте Застежку

	Hex-Head Wrench
	Llave de cabeza hexagonal
	Sechskantschlüssel
	Chave de cabeça sextavada
	Chiave esagonale
	Zeskantsleutel
	Clé à tête hexagonale
	Главный вѣдьмой Рывок

TOOLS REQUIRED FOR INSTALLATION AND PARTS



x1



Installation

Prepare Existing Mount

IMPORTANT ! : The hardware removed during Centris head removal below will be re-used after installation of the extension arm.

1. Disconnect all wires and cables from display and remove display from arm on existing mount following the instructions provided with mount.
2. While holding nut in hole in bottom of the swing arm, remove screw (D), washers (F and G), Centris head assembly, and nut (E) using 3/16" hex key provided with existing mount. (See Figure 1)
3. Set hardware and Centris head assembly aside for re-use.

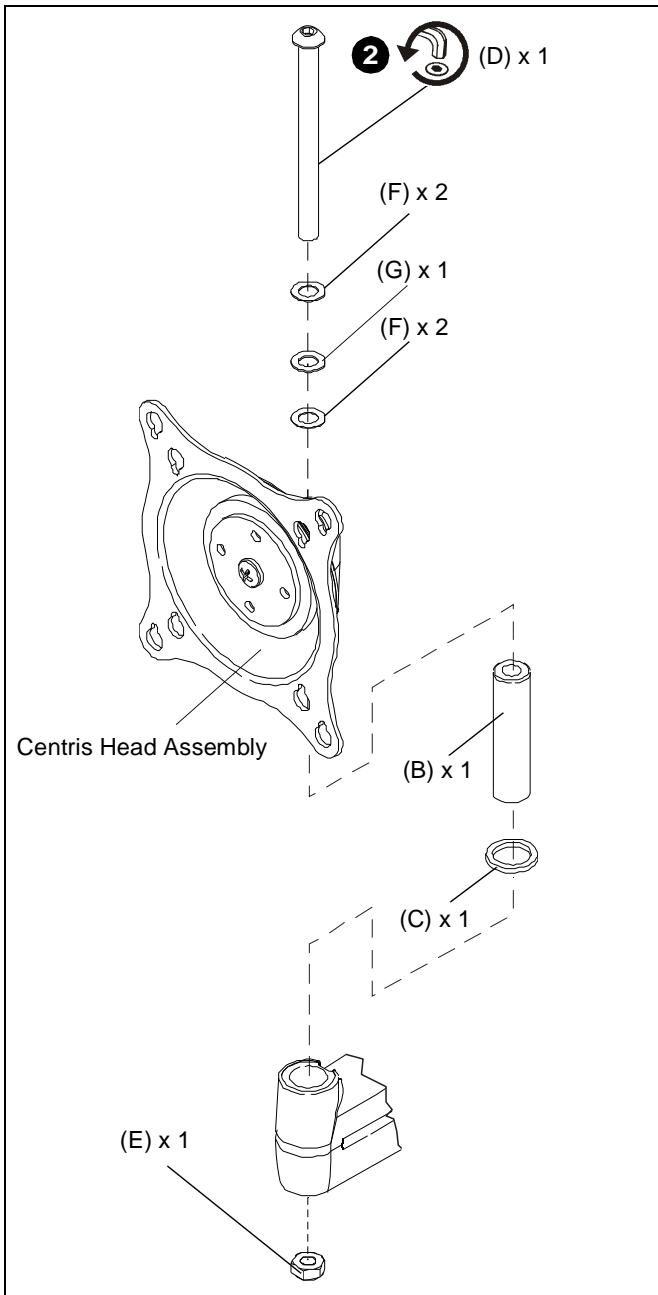


Figure 1

Install Extension Arm

1. Slide spacer (C) onto pivot pin (B). (See Figure 2)
2. Insert pivot pin (B) with spacer (C) into top of existing arm until pivot pin (B) is resting on bottom of recessed area in arm. (See Figure 2)
3. Slide extension arm (A) onto pivot pin (B) with spacer (C). (See Figure 2)
4. Insert nut (E) up into bottom of existing arm until seated in "Nut-shaped" recessed area and hold in place. (See Figure 2)
5. While holding nut (E) in place, slide screw (D) through washers (F and G) in the order shown in figure below. (See Figure 2)
6. Insert screw (D) with washers (F and G) into top of extension arm (A), downward through pivot pin (B) with spacer (C) and existing arm and thread into nut (E). (See Figure 2)
7. Tighten hardware using 3/16" hex key provided with existing mount.

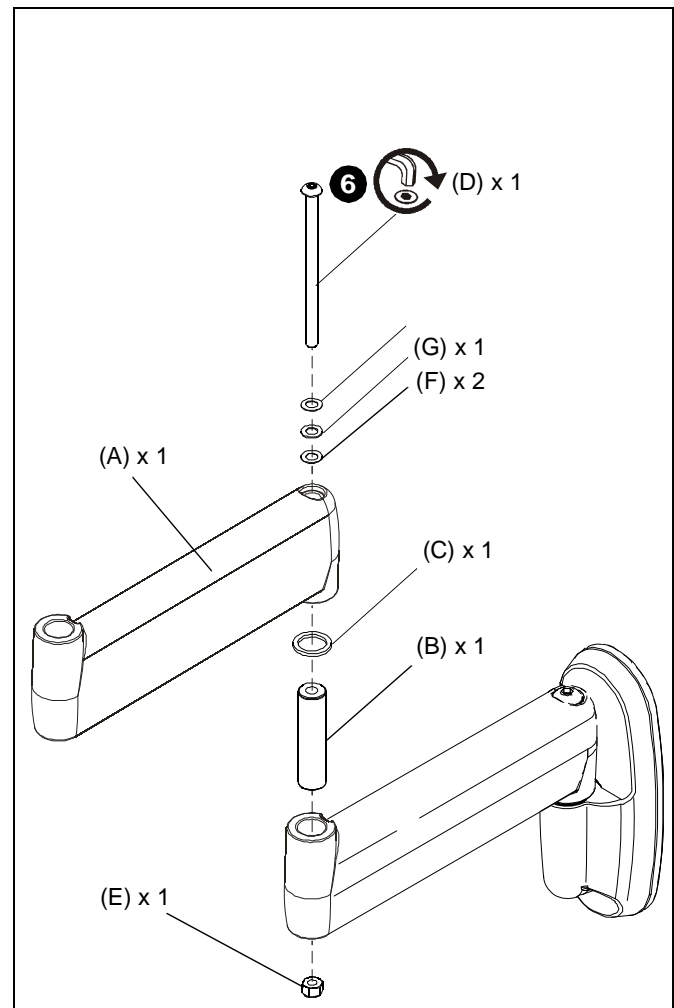


Figure 2

Install Extension Arm

Using hardware set aside after Centris head removal:

1. Slide spacer (C) onto pivot pin (B). (See Figure 3)
2. Insert pivot pin (B) with spacer (C) into top of existing arm until pivot pin (B) is resting on bottom of recessed area in arm. (See Figure 3)
3. Slide Centris head assembly (A) onto pivot pin (B) with spacer (C). (See Figure 3)
4. Insert nut (E) up into bottom of extension arm (A) until seated in "Nut-shaped" recessed area and hold in place. (See Figure 3)
5. While holding nut (E) in place, slide screw (D) through washers (F and G) in the order shown in Figure 3. (See Figure 3)
6. Insert screw (D) with washers (F and G) into top of Centris head assembly, downward through pivot pin (B) with spacer (C) through extension arm (A) and thread into nut (E). (See Figure 3)
7. Tighten hardware using 3/16" hex key provided with existing mount.
8. Complete installation and adjustment following the installation instructions provided with the mount.

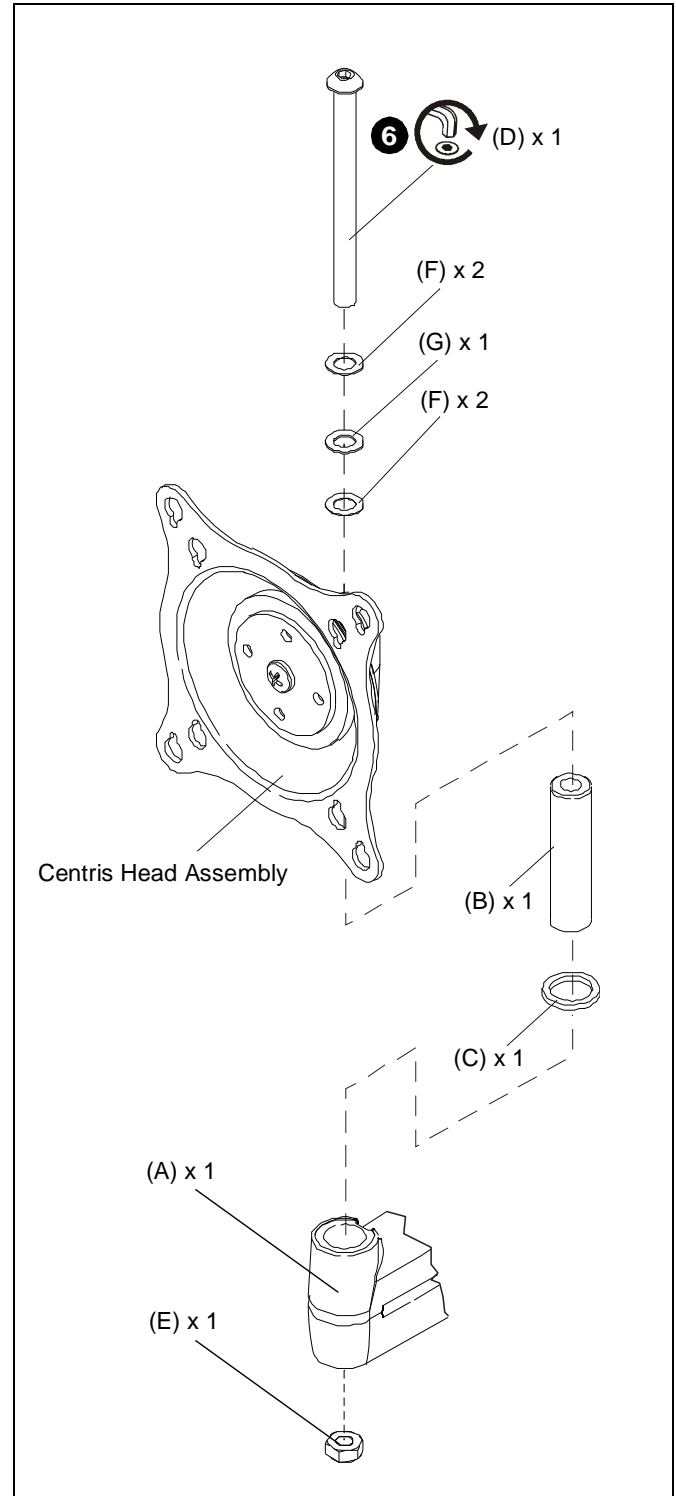


Figure 3



Our Mounts. **Your Vision.**

Chief Manufacturing, a products
division of Milestone AV Technologies

8805-000236 Rev 00

©2011 Milestone AV Technologies, a
Duchossois Group Company

www.chiefmfg.co

07/11

USA/International	A 8401 Eagle Creek Parkway, Savage, MN 55378
	P 800.582.6480 / 952.894.6280
	F 877.894.6918 / 952.894.6918
Europe	A Fellenoord 130 5611 ZB EINDHOVEN, The Netherlands
	P +31 (0)40 2668620
	F +31 (0)40 2668615
Asia Pacific	A Office No. 1 on 12/F, Shatin Galleria 18-24 Shan Mei Street Fotan, Shatin, Hong Kong
	P 852 2145 4099
	F 852 2145 4477

