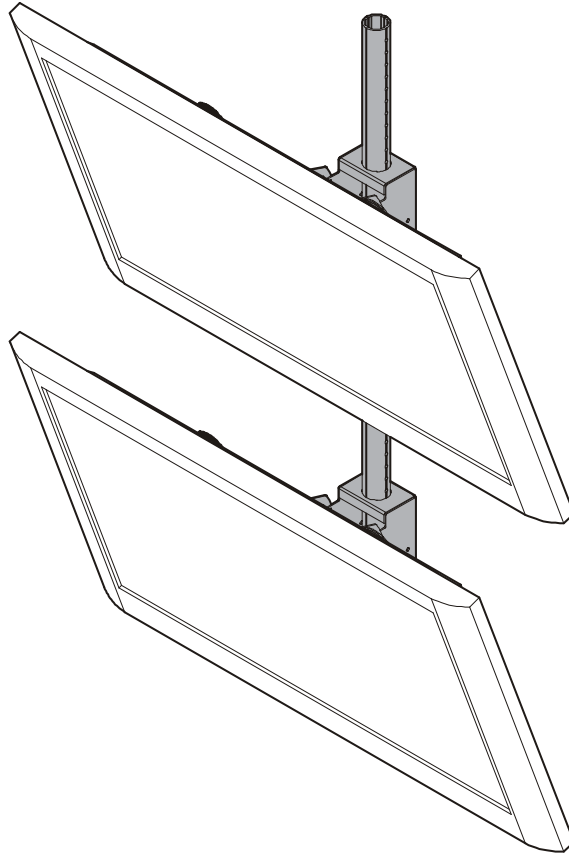

INSTALLATION INSTRUCTIONS



Stacking Ceiling Mounts

DISCLAIMER

Milestone AV Technologies and its affiliated corporations and subsidiaries (collectively "Milestone"), intend to make this manual accurate and complete. However, Milestone makes no claim that the information contained herein covers all details, conditions or variations, nor does it provide for every possible contingency in connection with the installation or use of this product. The information contained in this document is subject to change without notice or obligation of any kind. Milestone makes no representation of warranty, expressed or implied, regarding the information contained herein. Milestone assumes no responsibility for accuracy, completeness or sufficiency of the information contained in this document.

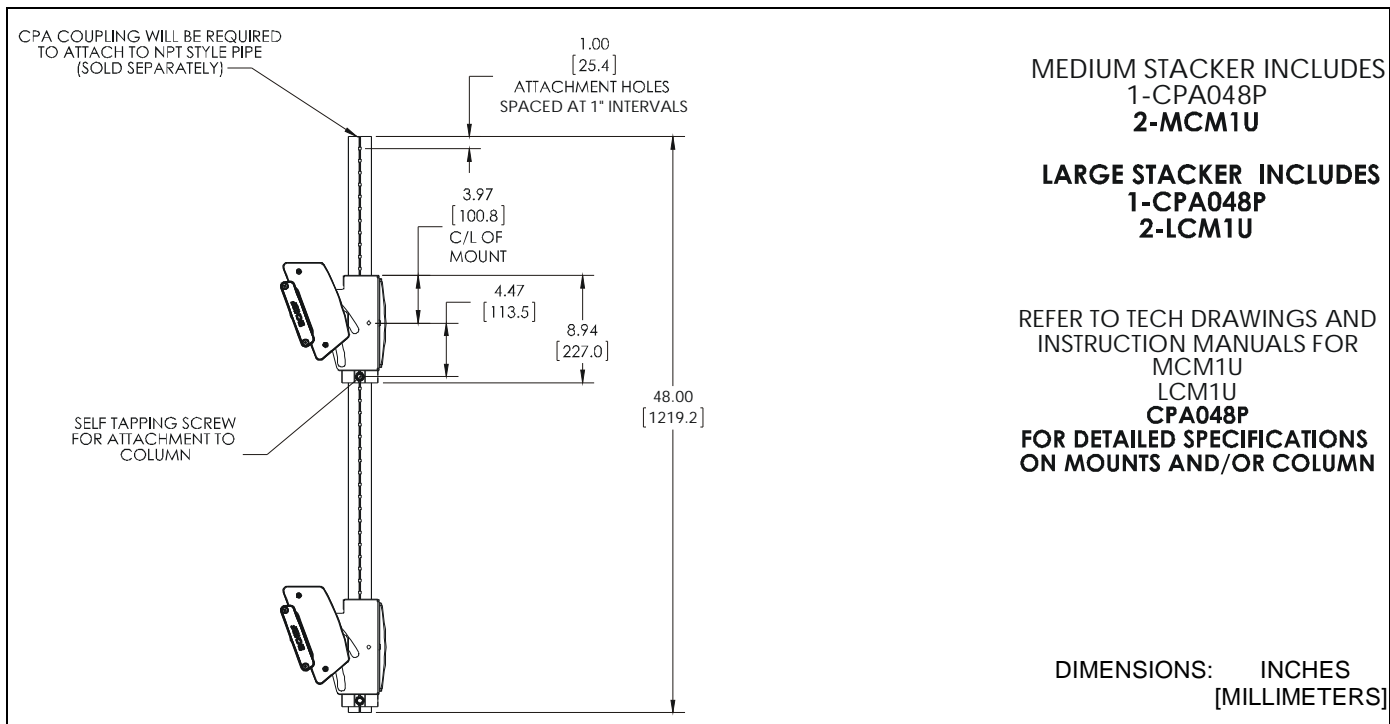
Chief® is a registered trademark of Milestone AV Technologies. All rights reserved.



WARNING: Exceeding the weight capacity can result in serious personal injury or damage to equipment! It is the installer's responsibility to make sure the combined weight of all components located within the mounting system of the model does not exceed maximum weights listed in table below.

MODEL	Max Weight Allowed for <u>EACH</u> Display	Max Weight Capacity of Mounting System
Medium Stacker	125 lbs (56.7 kg)	250 lbs (113.4 kg)
Large Stacker	125 lbs (56.7 kg)	250 lbs (113.4 kg)

DIMENSIONS



INSTALLATION

IMPORTANT ! : Refer to **Dimensions** section to find specific Medium Stacker or Large Stacker dimension requirements **BEFORE** proceeding with installation.

NOTE: The following procedure assumes that a UL Listed CPA or CMA ceiling plate (not included) has been properly installed following instructions provided with ceiling plate.

Installing Column

1. Lay column on floor and carefully place displays next to column. (See Figure 1)
2. Mark center of lower display onto column. (See Figure 1)
3. Measure one screen height up on the column from the first mark. Add approximately 2 inches extra length to allow for display tilt, and add additional length for any extra space desired between displays. (See Figure 1)
4. Mark center of upper display onto column. (See Figure 1)

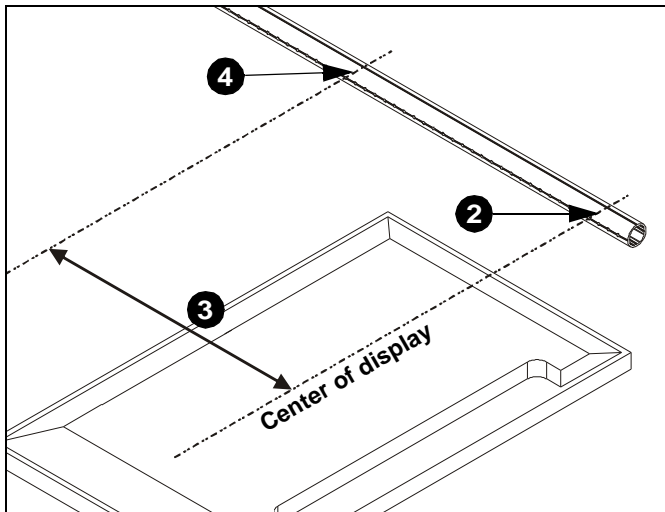


Figure 1

5. Install column following instructions included with column.

Installing MCM1U / LCM1U

1. Install MCM1U / LCM1U onto column following instructions included with MCM1U/LCM1U.

IMPORTANT ! : Match the center marks on the MCM1U/LCM1U with the marks on the column. (See Figure 2)

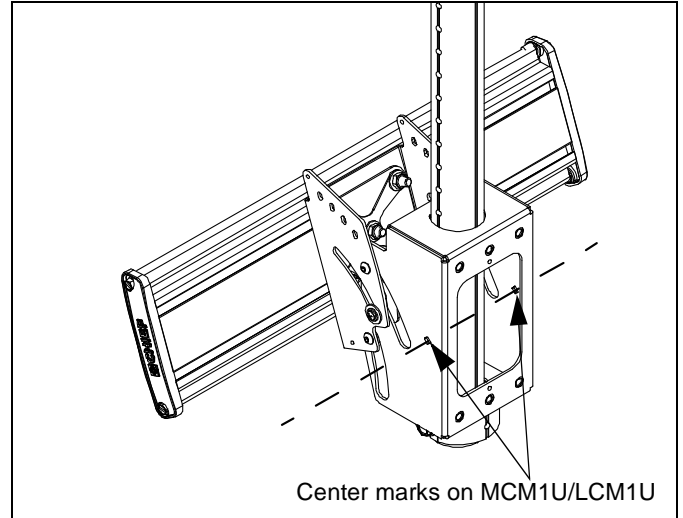


Figure 2

2. Complete installation following instructions included with MCM1U/LCM1U.



Our Mounts. **Your Vision.**

Chief Manufacturing, a products division
of Milestone AV Technologies

8800-002380 Rev00
©2013 Milestone AV Technologies, a
Duchossois Group Company
www.chiefmfg.com
07/13

USA/International	A 6436 City West Parkway, Eden Prairie, MN 55344 P 800.582.6480 / 952.225.6000 F 877.894.6918 / 952.894.6918
Europe	A Franklinstraat 14, 6003 DK Weert, Netherlands P +31 (0) 495 580 852 F +31 (0) 495 580 845
Asia Pacific	A Office No. 1 on 12/F, Shatin Galleria 18-24 Shan Mei Street Fotan, Shatin, Hong Kong P 852 2145 4099 F 852 2145 4477

