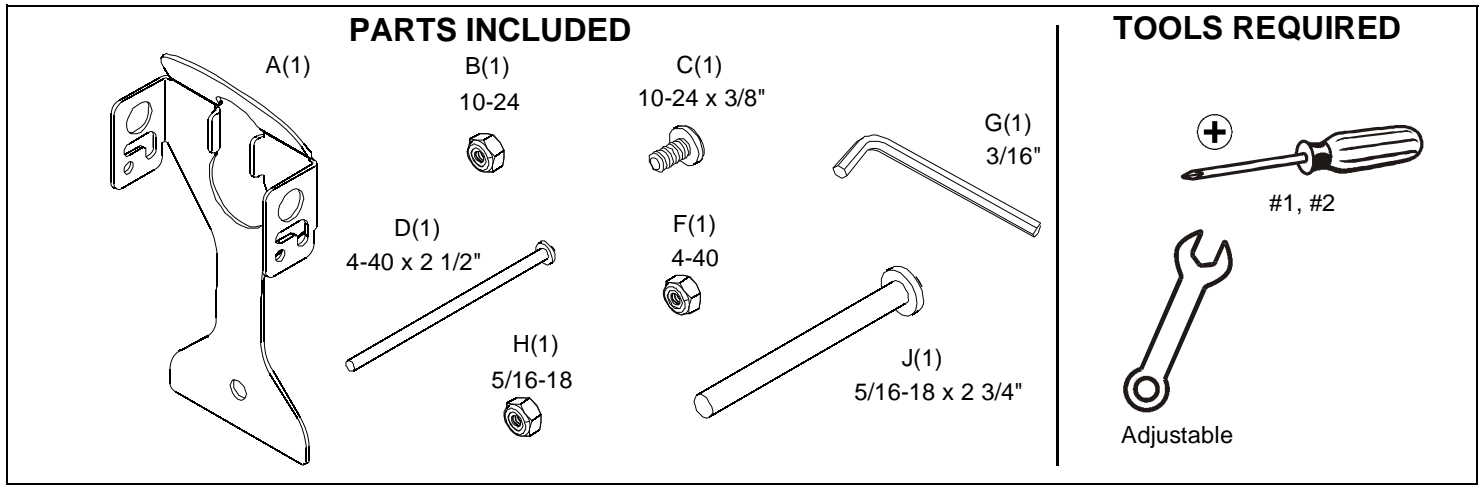


INSTALLATION INSTRUCTIONS

Model PAC136 Click-Lock Flag Kit

Unpack carton and verify contents. If any listed parts are missing, immediately contact a Chief Customer Service representative by calling 1-800-582-6480.



INSTALLATION

Install Latch to Faceplate

1. Remove plastic plugs from faceplate. (See Figure 1)
2. Orient latch and secure to back of faceplate using one Phillips pan head screw (C) and one locknut (B). (See Figure 1)
3. Following the instructions provided with the mount, install and secure display to faceplate using one Phillips pan head screw (D) and one lock nut (F) in desired location.

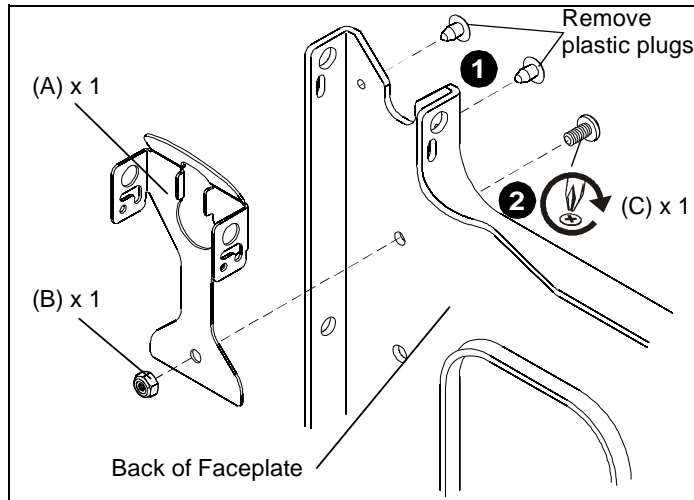


Figure 1:

4. After display installation is complete, additional security can be provided by installing one button head cap screw (J) and one lock nut (H), using the 3/16" hex wrench (G) provided. (See Figure 2)

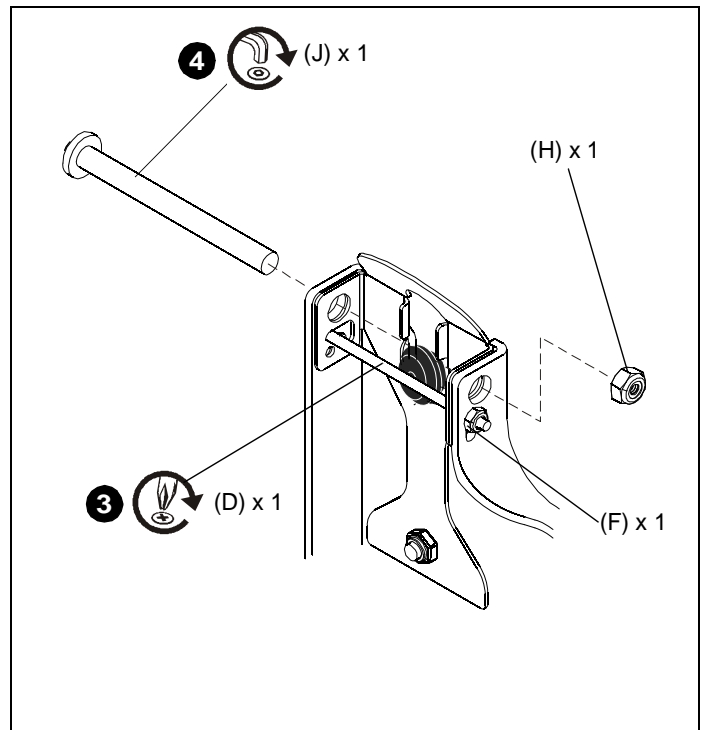


Figure 2:

Milestone AV Technologies, Inc., and its affiliated corporations and subsidiaries (collectively, "Milestone"), intend to make this manual accurate and complete. However, Milestone makes no claim that the information contained herein covers all details, conditions or variations, nor does it provide for every possible contingency in connection with the installation or use of this product. The information contained in this document is subject to change without notice or obligation of any kind. Milestone makes no representation of warranty, expressed or implied, regarding the information contained herein. Milestone assumes no responsibility for accuracy, completeness or sufficiency of the information contained in this document.