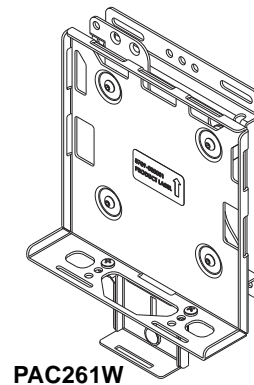
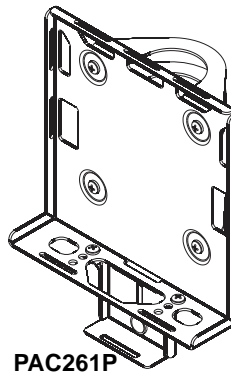
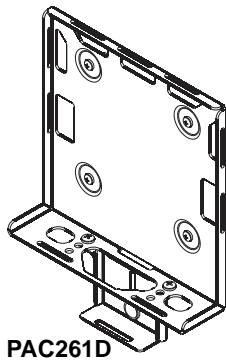
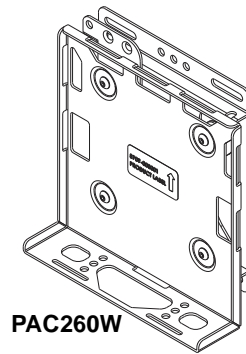
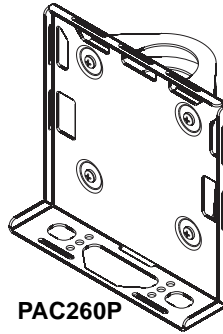
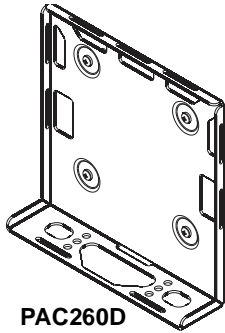

INSTALLATION INSTRUCTIONS



Universal Media Player Mount

DISCLAIMER

Milestone AV Technologies and its affiliated corporations and subsidiaries (collectively "Milestone"), intend to make this manual accurate and complete. However, Milestone makes no claim that the information contained herein covers all details, conditions or variations, nor does it provide for every possible contingency in connection with the installation or use of this product. The information contained in this document is subject to change without notice or obligation of any kind. Milestone makes no representation of warranty, expressed or implied, regarding the information contained herein. Milestone assumes no responsibility for accuracy, completeness or sufficiency of the information contained in this document.

Chief® is a registered trademark of Milestone AV Technologies. All rights reserved.

DEFINITIONS

MOUNTING SYSTEM: A MOUNTING SYSTEM is the primary Chief product to which an accessory and/or component is attached.

ACCESSORY: AN ACCESSORY is the secondary Chief product which is attached to a primary Chief product, and may have a component attached or setting on it.

COMPONENT: A COMPONENT is an audiovisual item designed to be attached or resting on an accessory or mounting system such as a video camera, CPU, screen, display, projector, etc.



WARNING: A WARNING alerts you to the possibility of serious injury or death if you do not follow the instructions.



CAUTION: A CAUTION alerts you to the possibility of damage or destruction of equipment if you do not follow the corresponding instructions.



IMPORTANT SAFETY INSTRUCTIONS!



WARNING: Failure to read, thoroughly understand, and follow all instructions can result in serious personal injury, damage to equipment, or voiding of factory warranty! It is the installer's responsibility to make sure all mounting systems are properly assembled and installed using the instructions provided.



WARNING: Failure to provide adequate structural strength for this mounting system can result in serious personal injury or damage to equipment! It is the installer's responsibility to make sure the structure to which this mounting system is attached can support five times the combined weight of all equipment. Reinforce the structure as required before installing the mounting system. The wall to which the mounting system is being attached may have a maximum drywall thickness of 5/8" (1.6cm). Do not install drywall anchors into the seam between drywall pieces.



WARNING: Exceeding the weight capacity can result in serious personal injury or damage to equipment! It is the installer's responsibility to make sure the combined weight of all components attached to the PAC260/261 up to (and including) the media player does not exceed 30 lbs (13.6 kg).



WARNING: Use this mounting system only for its intended use as described in these instructions. Do not use attachments not recommended by the manufacturer.



WARNING: Never operate this mounting system if it is damaged. Return the mounting system to a service center for examination and repair.



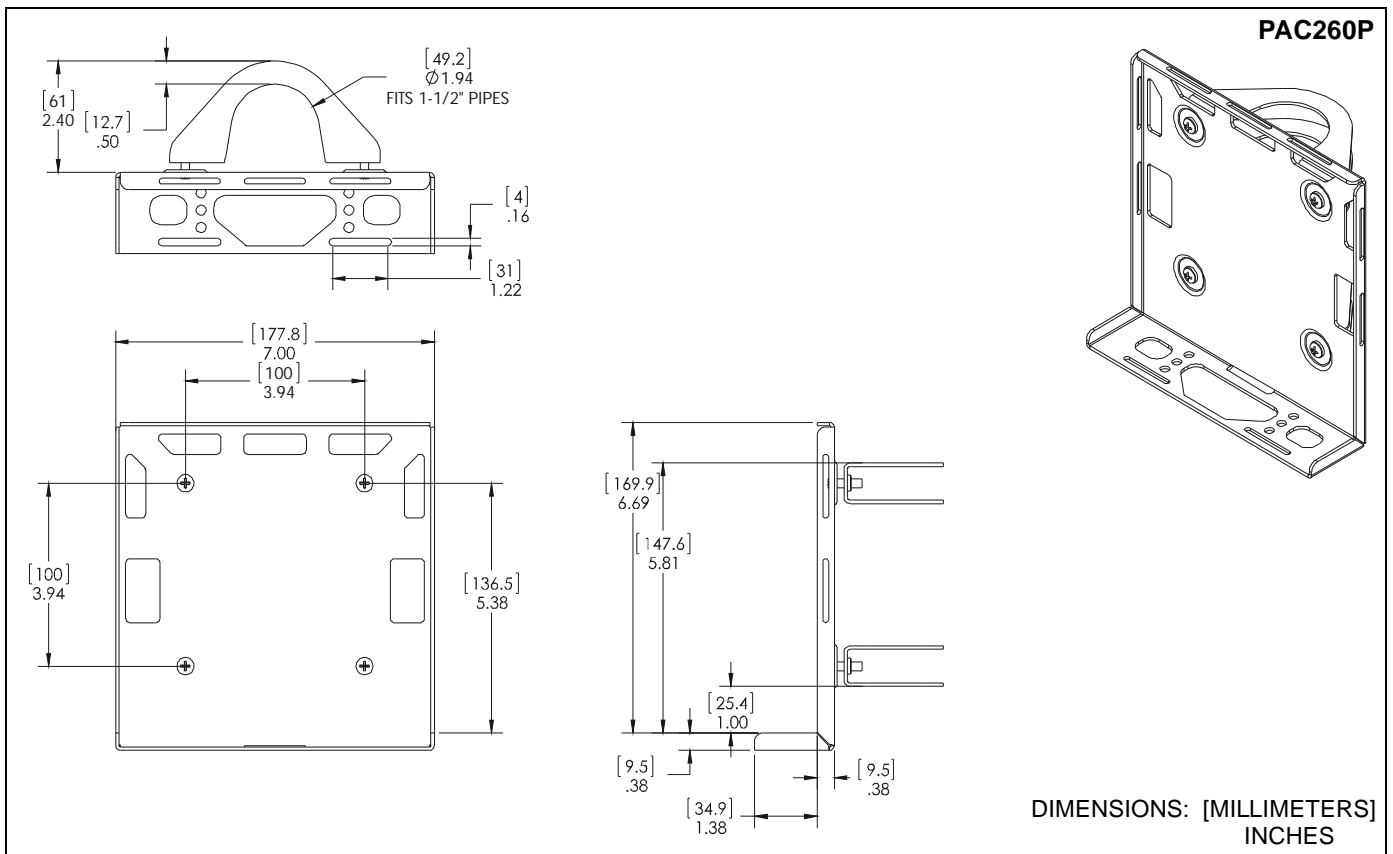
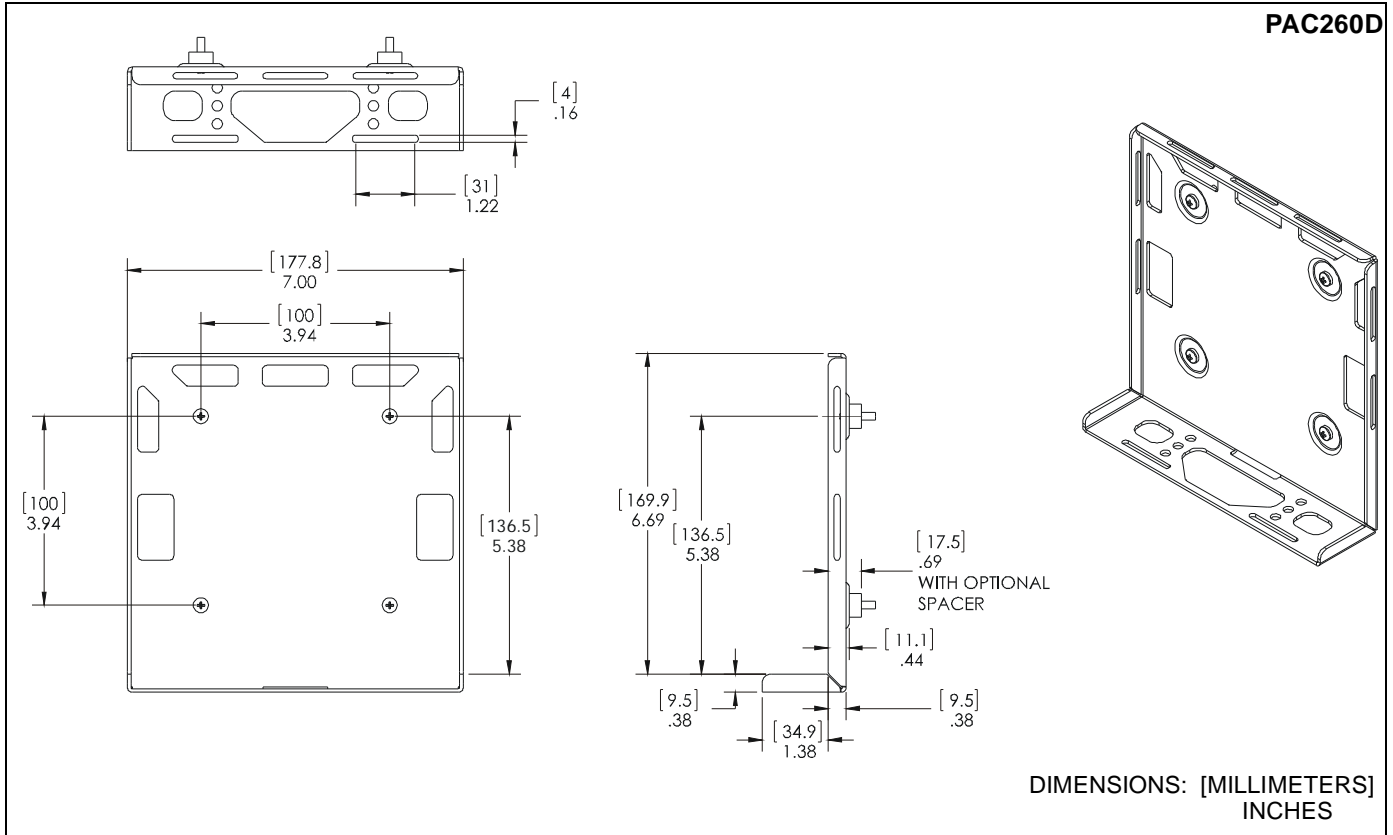
WARNING: Do not use this mounting system outdoors.

IMPORTANT ! : The PAC260/261 mounting systems are designed to be mounted to a:

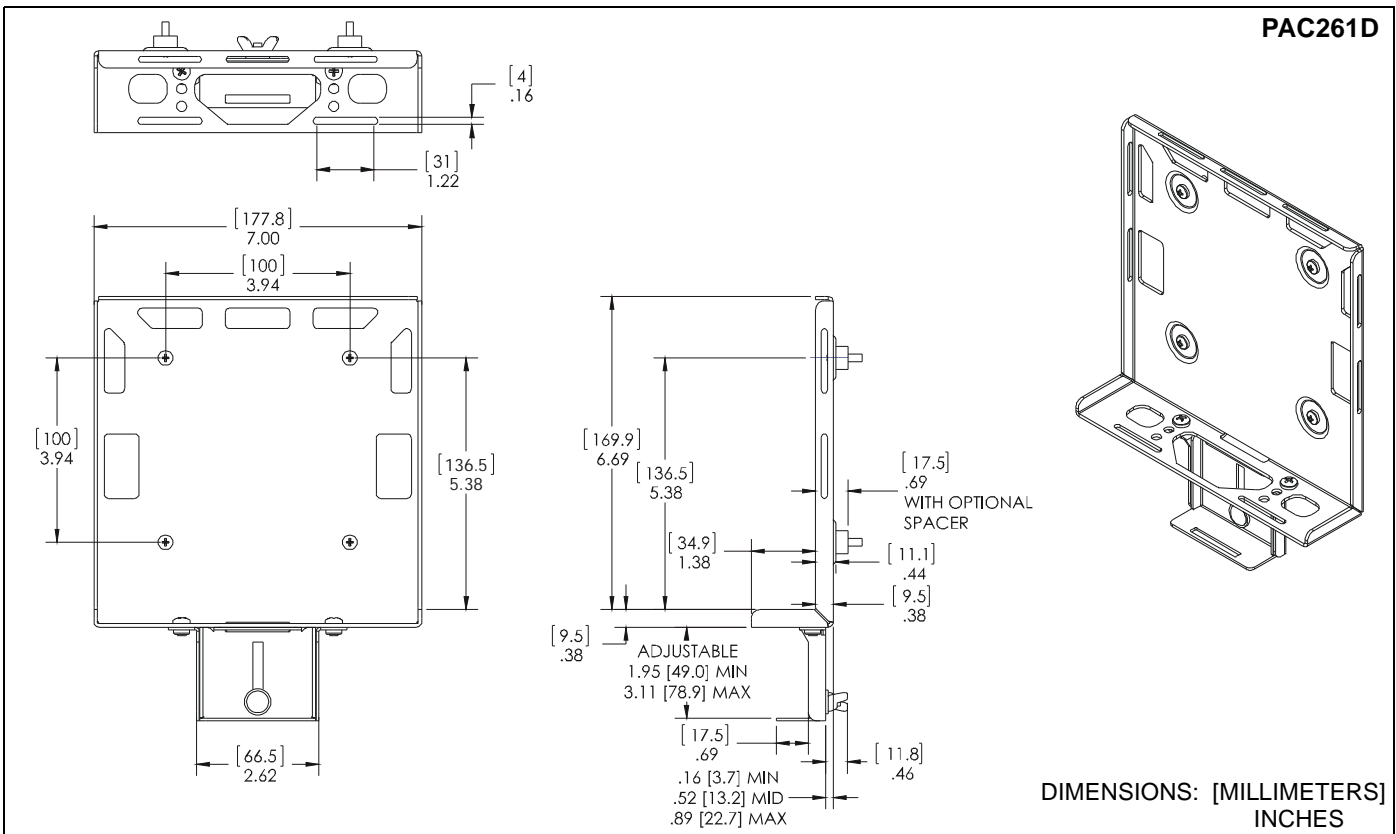
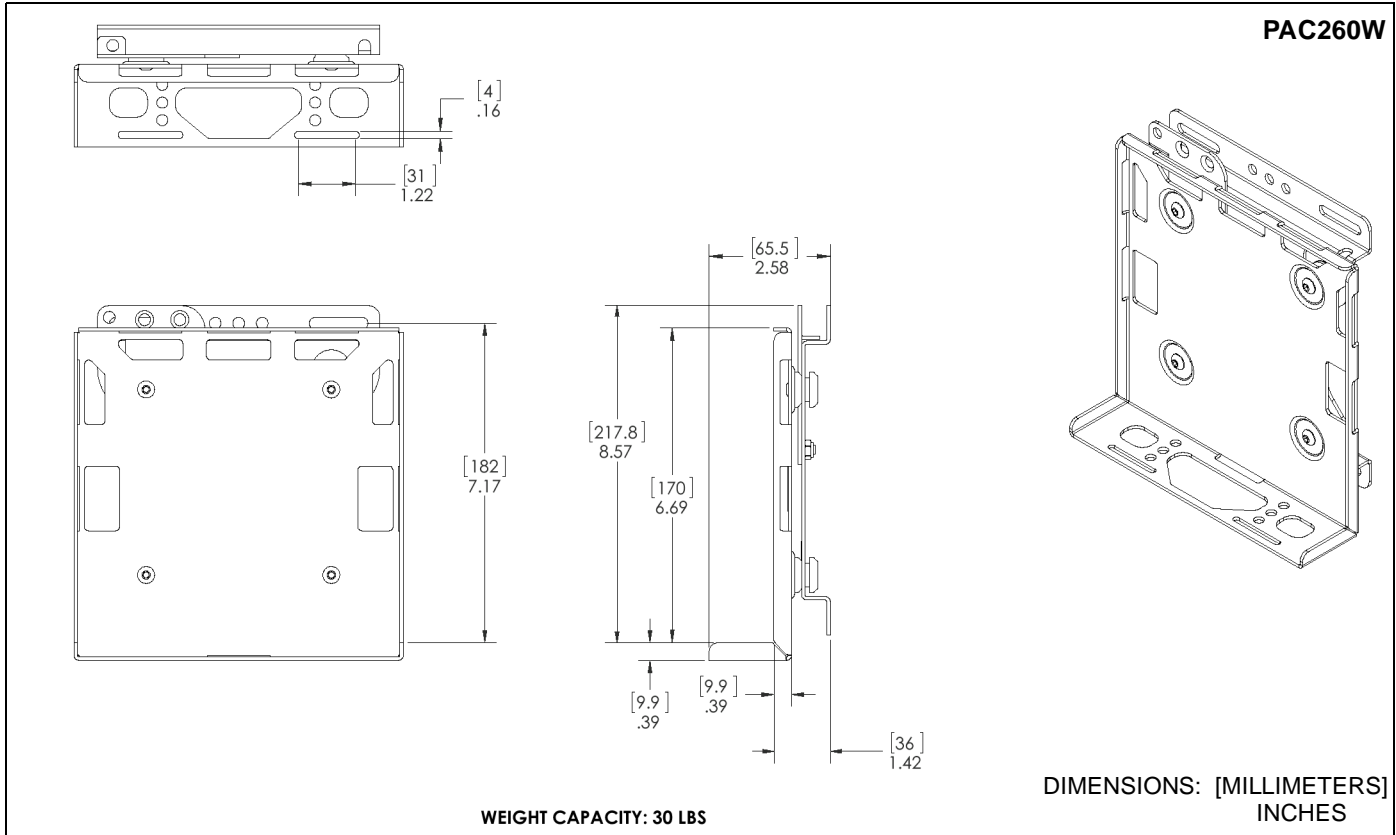
- 1-1/2" pole;
- FSR1U wall mounting system

--SAVE THESE INSTRUCTIONS--

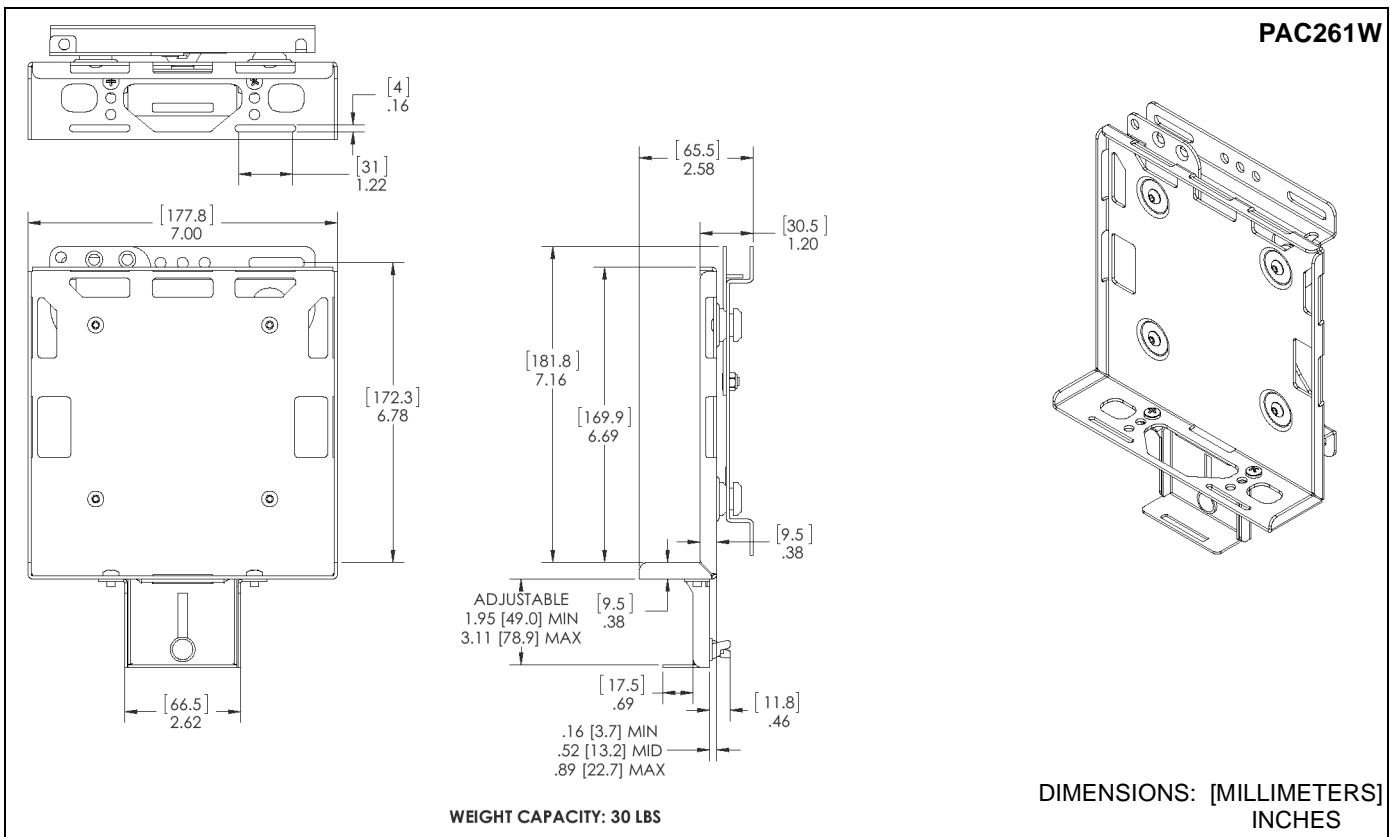
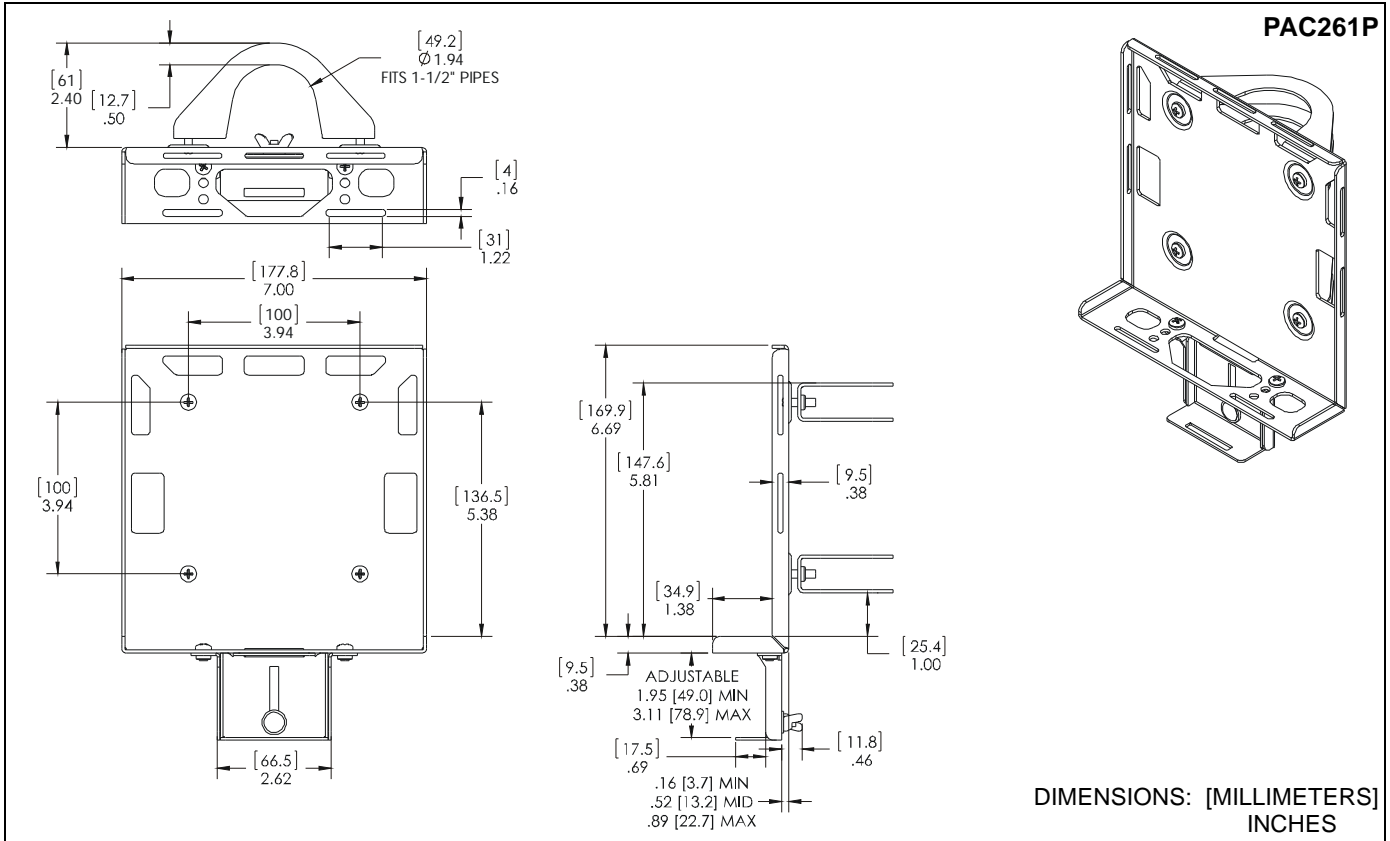
DIMENSIONS





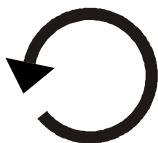









DIMENSIONS (continued)



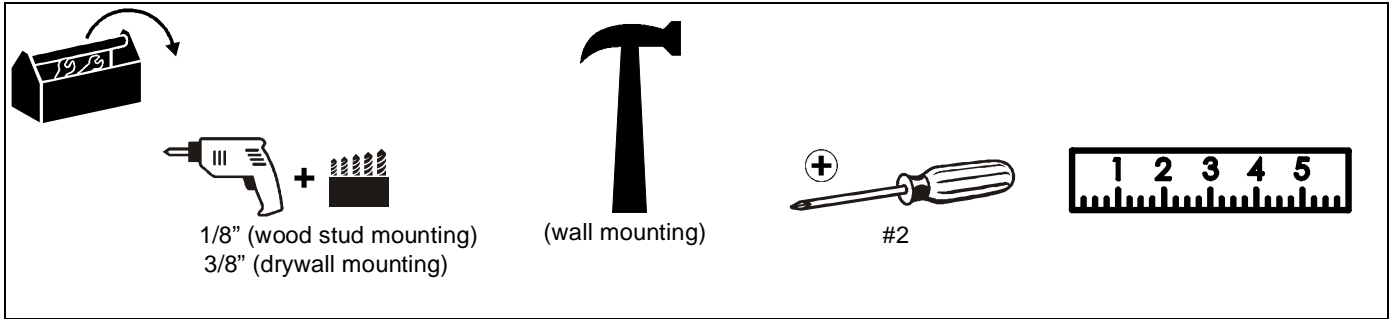
DIMENSIONS (continued)



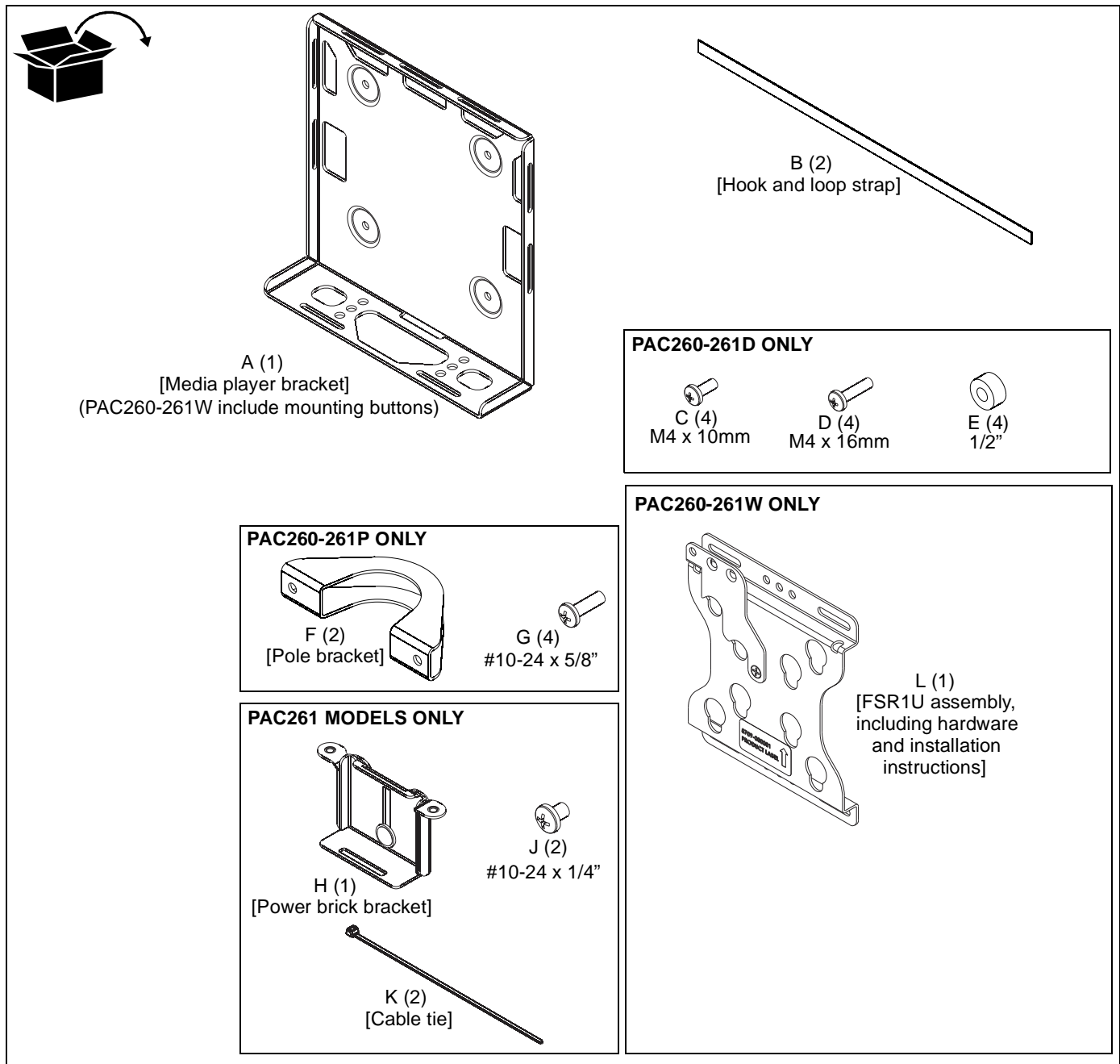
LEGEND

	Tighten Fastener Apretar elemento de fijación Befestigungsteil festziehen Apertar fixador Serrare il fissaggio Beverstiging vastdraaien Serrez les fixations		Pencil Mark Marcar con lápiz Stiftmarkierung Marcar com lápis Segno a matita Potloodmerkteken Marquage au crayon
	Loosen Fastener Aflojar elemento de fijación Befestigungsteil lösen Desapertar fixador Allentare il fissaggio Beverstiging losdraaien Desserrez les fixations		Drill Hole Perforar Bohrloch Fazer furo Praticare un foro Gat boren Percez un trou
	Phillips Screwdriver Destornillador Phillips Kreuzschlitzschraubendreher Chave de fendas Phillips Cacciavite a stella Kruiskopschroevendraaier Tournevis à pointe cruciforme		Adjust Ajustar Einstellen Ajustar Regolare Afstellen Ajuster
	Open-Ended Wrench Llave de boca Gabelschlüssel Chave de bocas Chiave a punte aperte Steeksleutel Clé à fourche		Remove Quitar Entfernen Remover Rimuovere Verwijderen Retirez
	By Hand A mano Von Hand Com a mão A mano Met de hand À la main		Optional Opcional Optional Opcional Opzionale Optie En option
	Hex-Head Wrench Llave de cabeza hexagonal Sechskantschlüssel Chave de cabeça sextavada Chiave esagonale Zeskantsleutel Clé à tête hexagonale		Security Wrench Llave de seguridad Sicherheitsschlüssel Chave de segurança Chiave di sicurezza Veiligheidsleutel Clé de sécurité

TOOLS REQUIRED FOR INSTALLATION



PARTS



ASSEMBLY AND INSTALLATION

Direct to Display Mounting (PAC260-261D)

1. If already installed, remove display from mount.
2. Select proper screw length (C or D) and whether spacers (E) are required.



CAUTION: Using screws of improper length may damage your display! Proper screws will have adequate thread engagement without contacting bottom of display mounting holes.

3. Use selected screws (C or D) and spacers (E), if required, to connect media player mount (A) to back of display. (See Figure 1)

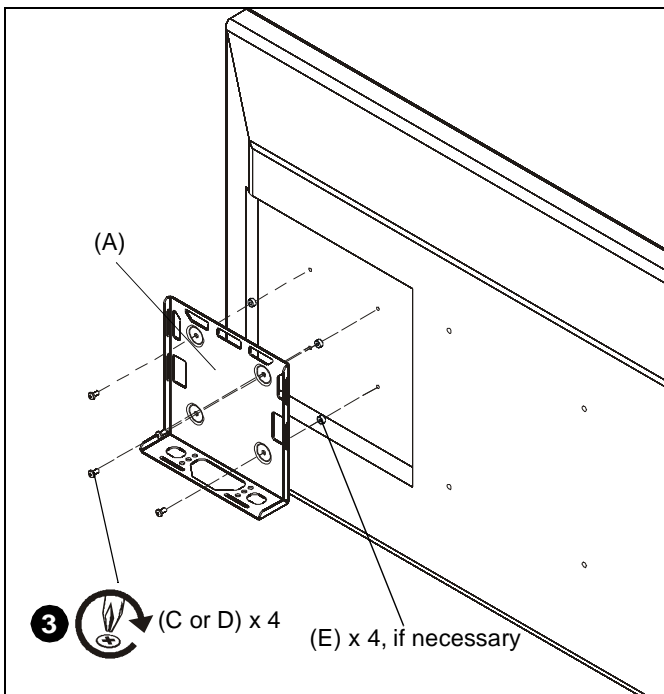


Figure 1

Pole Mounting (PAC260-261P)

IMPORTANT !: The PAC260-261P mounts are designed to fit around a 1 1/2" pole. DO NOT mount to any other size pole!

1. Use four #10-24 x 5/8" Phillips pan machine screws (G) and two pole brackets (F) to secure media player mount (A) to pole at desired mounting height. (See Figure 2)

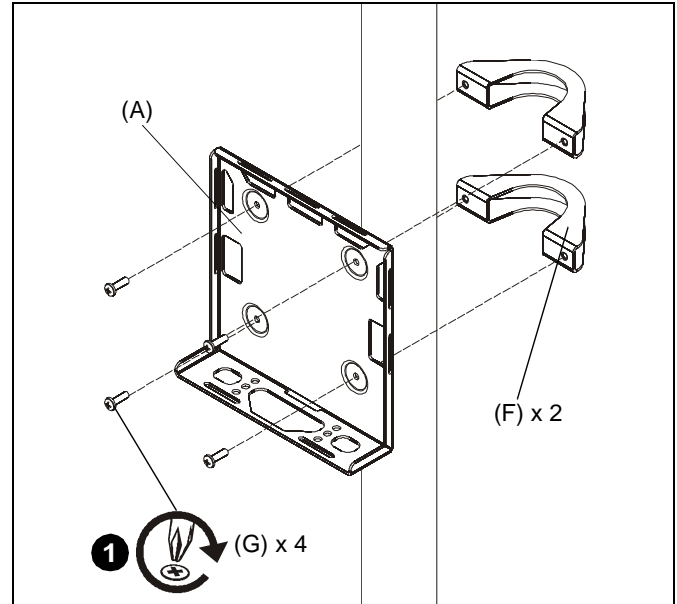


Figure 2

Wall Mounting (PAC260-261W)

1. Install FSR1U assembly (L) to wall according to FSR1U installation instructions.
2. Make sure latching flag is in the open position.
3. Maneuver media player mount (A) so that all mounting buttons fit into openings of FSR1U (L). See FSR1U Installation Instructions for further details. (See Figure 3)
4. Move latching flag into closed position to secure bracket to FSR1U. (See Figure 3)

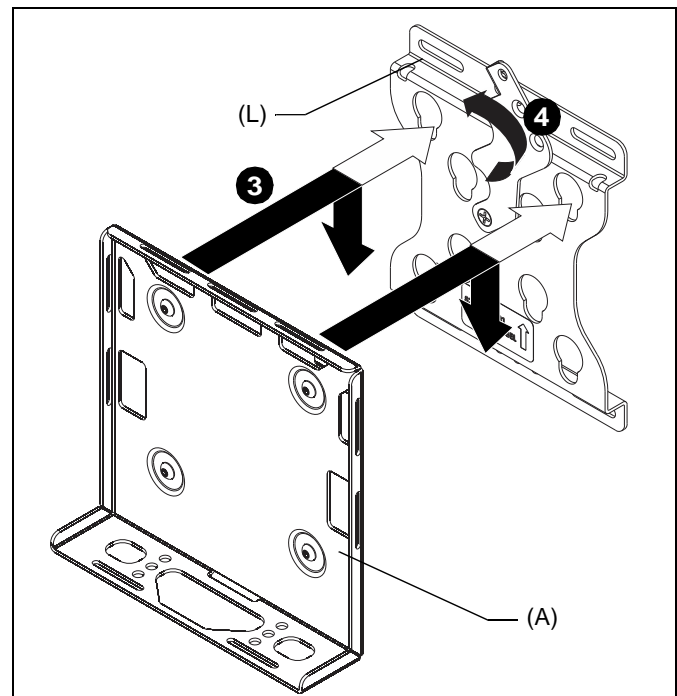


Figure 3

Power Brick Adapter Installation (PAC261 Models ONLY)

1. Use two #10-24 x 1/4" Phillips pan machine screws (J) to secure power brick bracket (H) to media player bracket (A). (See Figure 4)

NOTE: Alternate holes may be used depending on the size and shape of the power brick adapter. (See Figure 4)

2. Use cable ties (K) as necessary to secure power brick adapter to bracket (H).

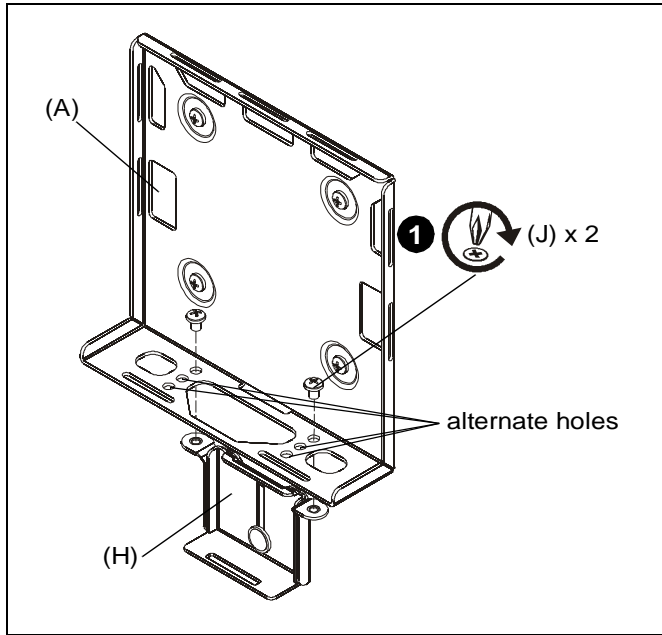


Figure 4

Media Player/CPU Installation

1. Set media player in media player bracket (A) at desired mounting position.

IMPORTANT ! : Make sure media player has adequate ventilation to prevent overheating!

2. Use two hook and loop straps (B) to secure media player to bracket by threading the straps through the various slots on the bracket. (See Figure 5)

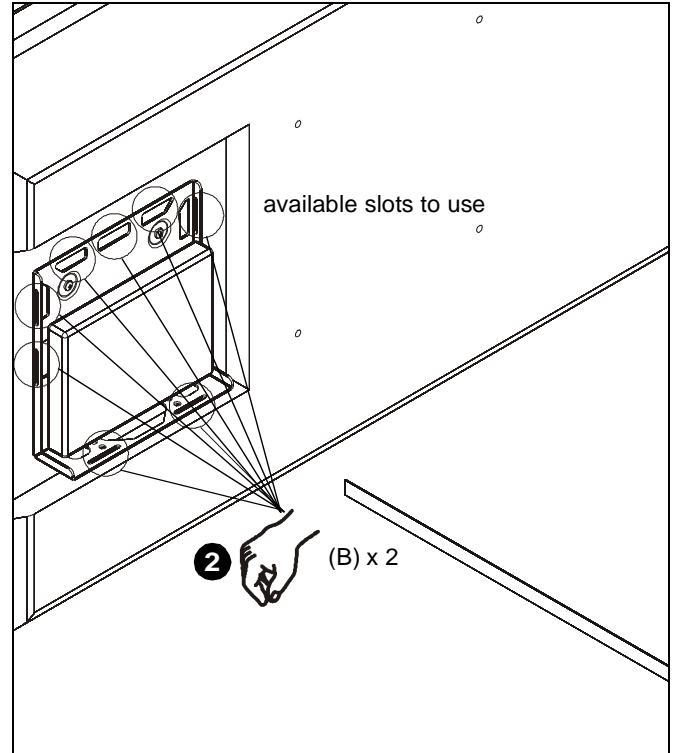


Figure 5



Our Mounts. **Your Vision.**

Chief, a products division of
Milestone AV Technologies

8800-002460 Rev02
©2016 Milestone AV Technologies
www.milestone.com
12/16

USA/International	A 6436 City West Parkway, Eden Prairie, MN 55344 P 800.582.6480 / 952.225.6000 F 877.894.6918 / 952.894.6918
Europe	A Franklinstraat 14, 6003 DK Weert, Netherlands P +31 (0) 495 580 852 F +31 (0) 495 580 845
Asia Pacific	A Office No. 918 on 9/F, Shatin Galleria 18-24 Shan Mei Street Fotan, Shatin, Hong Kong P 852 2145 4099 F 852 2145 4477

