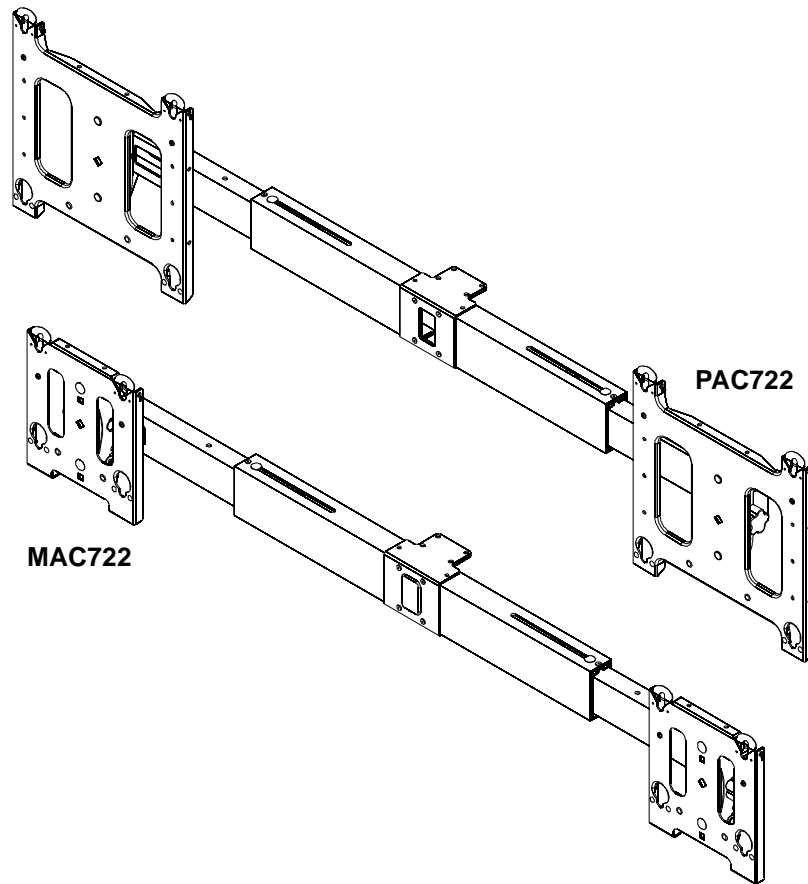

INSTALLATION INSTRUCTIONS




Medium/Large Side-by-Side Accessory for Carts and Stands


DISCLAIMER


Milestone AV Technologies and its affiliated corporations and subsidiaries (collectively "Milestone"), intend to make this manual accurate and complete. However, Milestone makes no claim that the information contained herein covers all details, conditions or variations, nor does it provide for every possible contingency in connection with the installation or use of this product. The information contained in this document is subject to change without notice or obligation of any kind. Milestone makes no representation of warranty, expressed or implied, regarding the information contained herein. Milestone assumes no responsibility for accuracy, completeness or sufficiency of the information contained in this document.


Chief® is a registered trademark of Milestone AV Technologies. All rights reserved.


IMPORTANT WARNINGS AND CAUTIONS!

 **WARNING:** A WARNING alerts you to the possibility of serious injury or death if you do not follow the instructions.



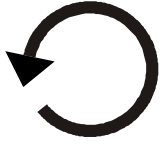

 **CAUTION:** A CAUTION alerts you to the possibility of damage or destruction of equipment if you do not follow the corresponding instructions.

 **WARNING:** Failure to read, thoroughly understand, and follow all instructions can result in serious personal injury, damage to equipment, or voiding of factory warranty! It is the installer's responsibility to make sure all components are properly assembled and installed using the instructions provided.

 **WARNING:** Failure to provide adequate structural strength for this component can result in serious personal injury or damage to equipment! It is the installer's responsibility to make sure the structure to which this component is attached can support five times the combined weight of all equipment. Reinforce the structure as required before installing the component. The wall to which the mount is being attached may have a maximum drywall thickness of 5/8" (1.6cm).

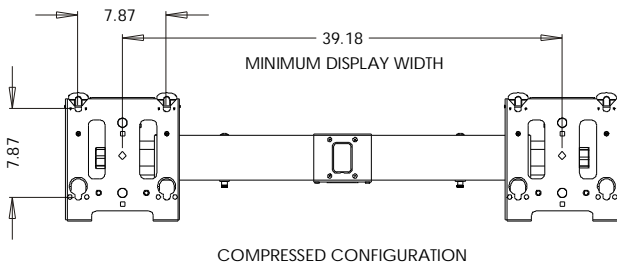
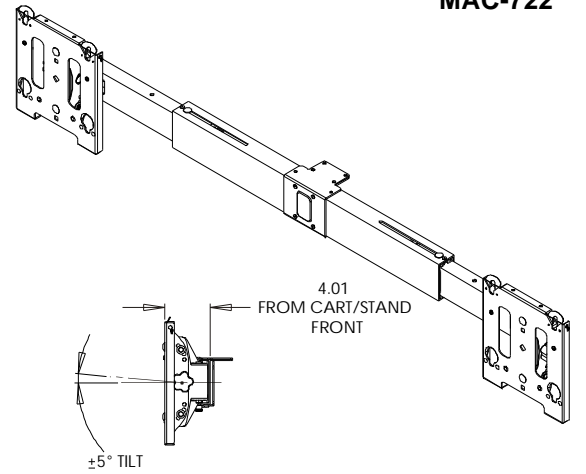
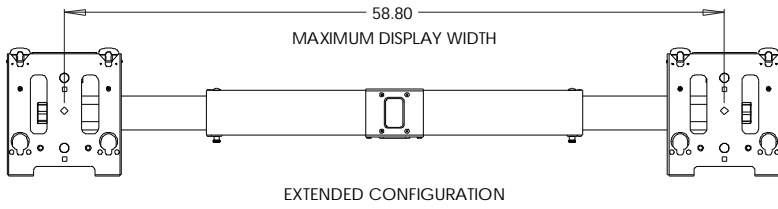
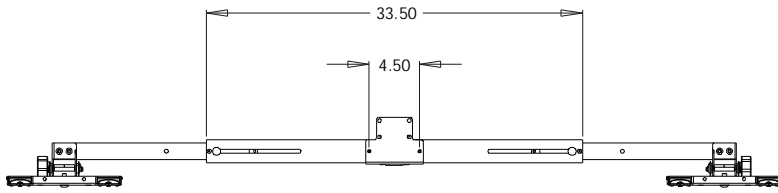
 **WARNING:** Exceeding the weight capacity can result in serious personal injury or damage to equipment! It is the installer's responsibility to make sure the combined weight of all components located on the accessory does not exceed:
MAC-722: 125 lbs (56.7 kg) [62.5 lbs (28.3) per faceplate].
PAC-722: 150 lbs (68.0 kg) [75 lbs (34.0) per faceplate].

LEGEND

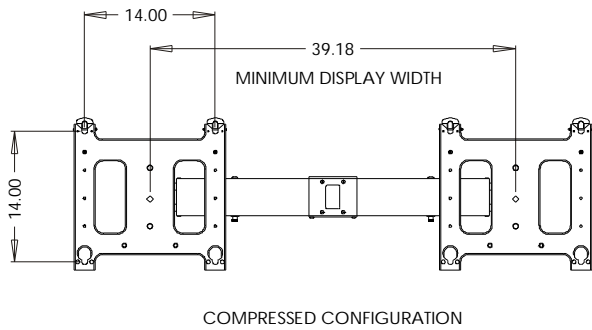
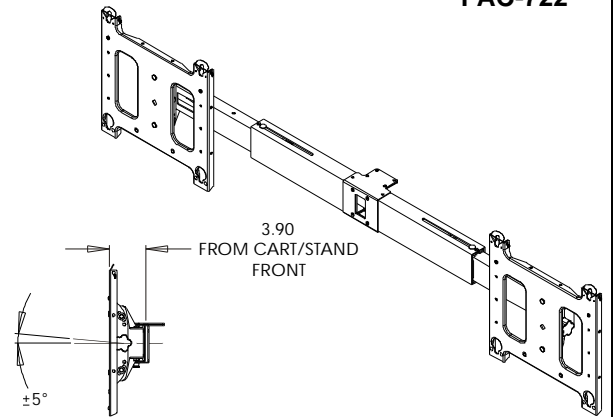
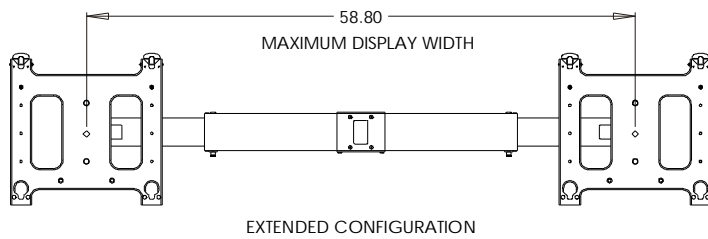
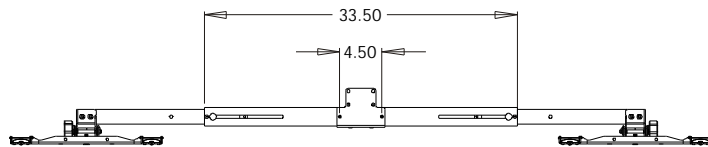
	Tighten Fastener		Hex-Head Wrench
	Apretar elemento de fijación		Llave de cabeza hexagonal
	Befestigungsteil festziehen		Sechskantschlüssel
	Apertar fixador		Chave de cabeça sextavada
	Serrare il fissaggio		Chiave esagonale
	Bevestiging vastdraaien		Zeskantsleutel
Serrez les fixations	Clé à tête hexagonale		
	Loosen Fastener		Open-Ended Wrench
	Aflojar elemento de fijación		Llave de boca
	Befestigungsteil lösen		Gabelschlüssel
	Desapertar fixador		Chave de bocas
	Allentare il fissaggio		Chiave a punte aperte
	Bevestiging losdraaien		Steeksleutel
Desserrez les fixations	Clé à fourche		

DIMENSIONS

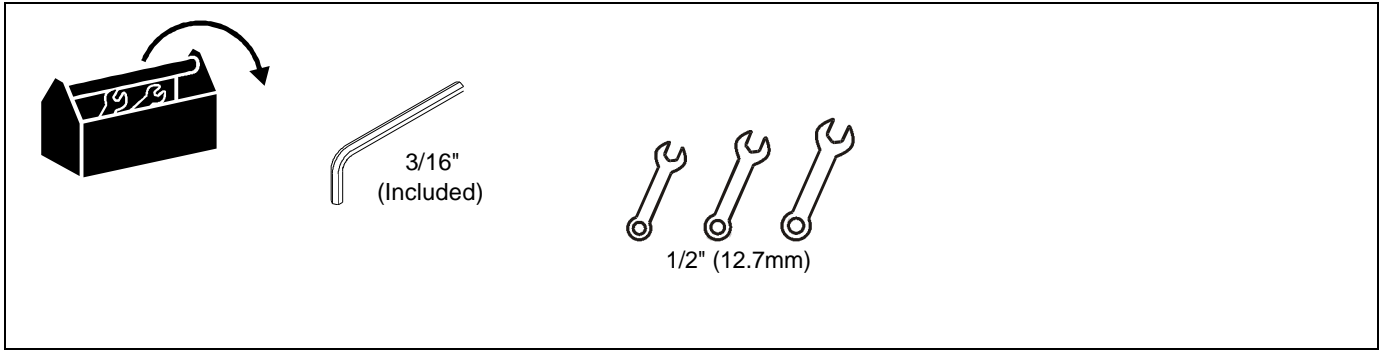
MAC-722



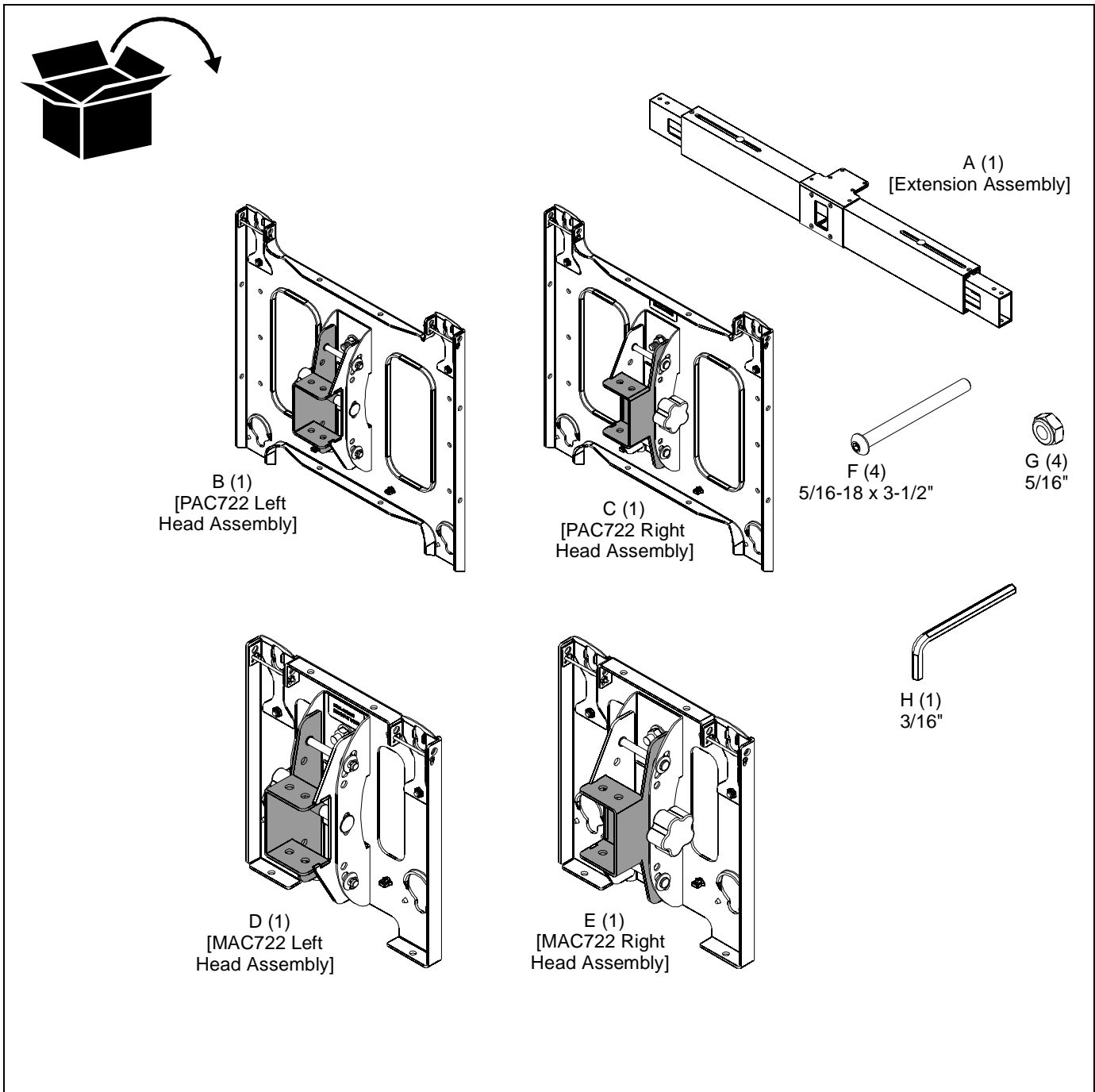
PAC-722



TOOLS REQUIRED FOR INSTALLATION



PARTS



Assembly and Installation

The MAC722 and PAC722 side-by-side accessories are for use with Chief carts and stands.

1. Remove and save four fasteners holding the faceplate on the cart or stand column, and remove faceplate. (See Figure 1)

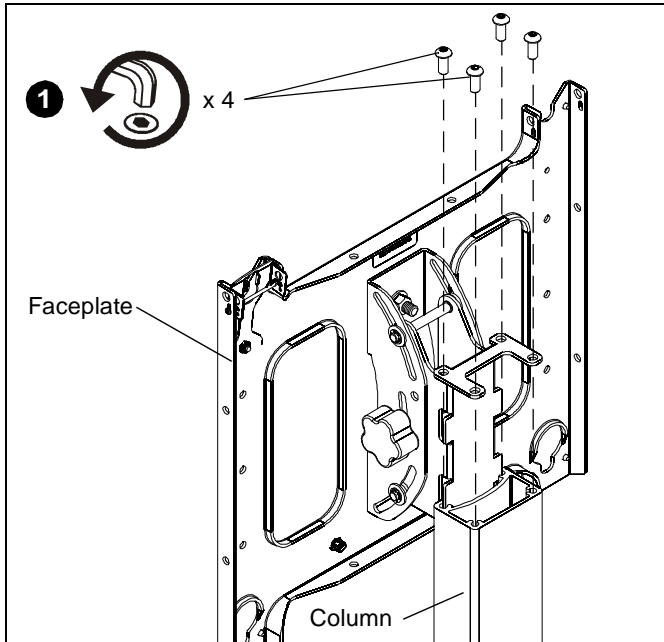


Figure 1

2. Use the four fasteners removed in Step 1 to fasten the extension assembly (A) to the cart/stand column. (See Figure 2)

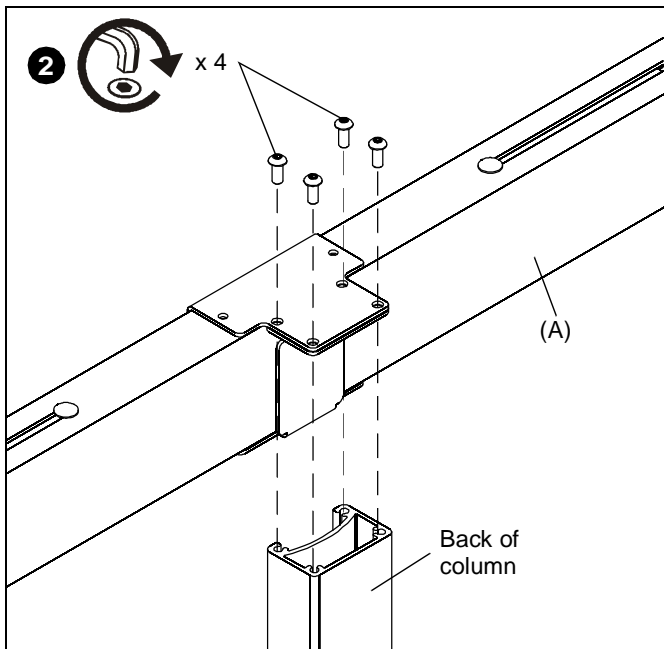


Figure 2

3. Attach faceplates (B and C) OR (D and E) to the extension assembly (A) using two 5/16-18 x 3-1/2" button head cap screws (F) and two 5/16" locking nuts (G) for each faceplate. (See Figure 3)

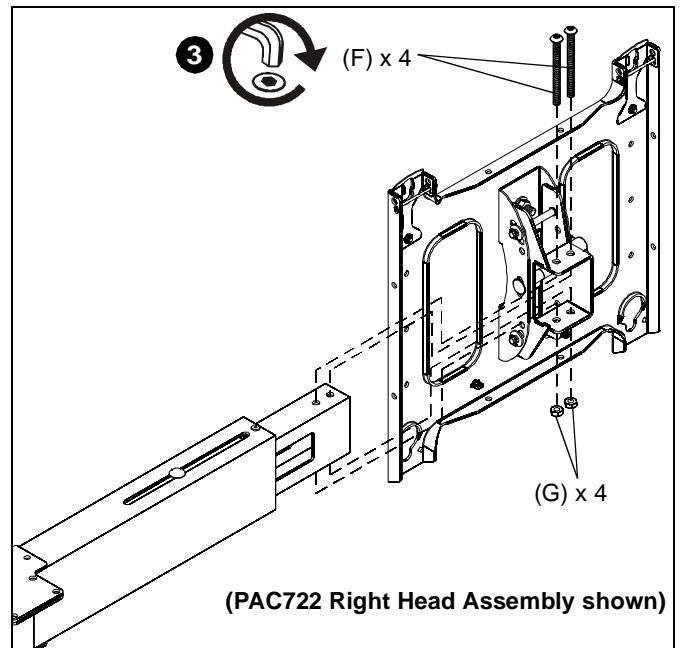


Figure 3

4. Measure distance from center of display to outside edge.
5. Measure distance from center of faceplate to center of extension assembly (A). (See Figure 4)

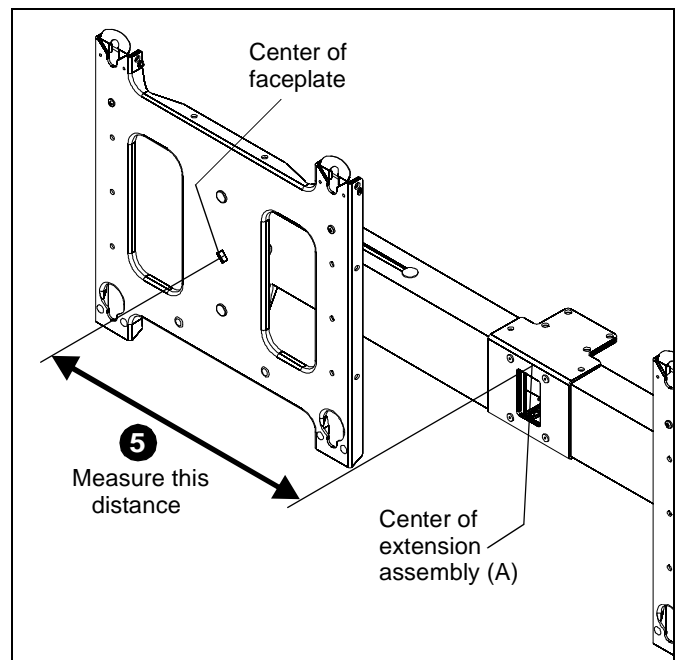


Figure 4

IMPORTANT ! : In the compressed configuration the minimum display size is 38". In the extended configuration the maximum display size is 55".

- Adjust extension assembly (A), as necessary, by removing the carriage bolt, allen nut and washer on each end of the extension assembly, so that distance between the center of the faceplate and center of the extension assembly matches dimension measured in Step 5. (See Figure 5)

WARNING: IMPROPER INSTALLATION CAN LEAD TO CART/STAND OR DISPLAY FALLING CAUSING SERIOUS PERSONAL INJURY OR DAMAGE TO EQUIPMENT!
Extension measurement MUST be the same for both sides of the MAC722/PAC722.

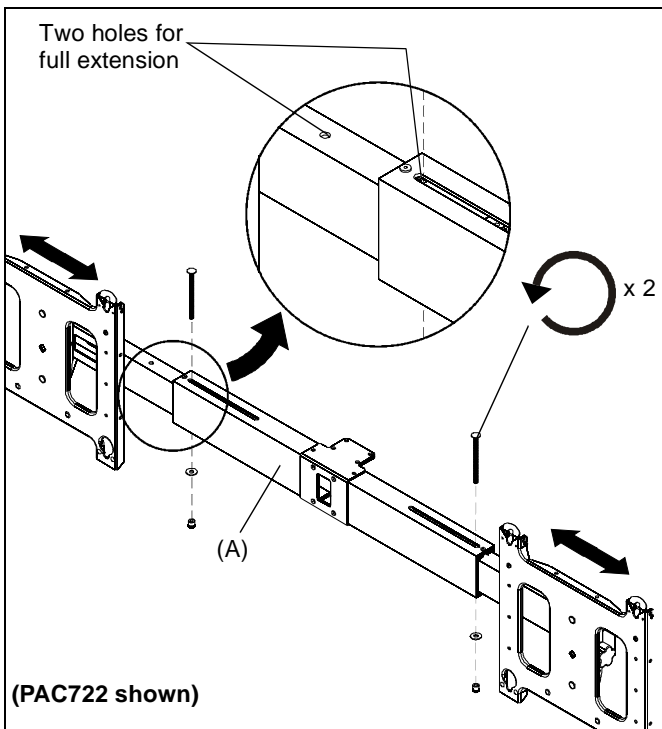


Figure 5

Attaching Displays

WARNING: EXCEEDING MAXIMUM WEIGHT CAPACITY MAY LEAD TO SERIOUS PERSONAL INJURY OR DAMAGE TO EQUIPMENT! It is the installer's responsibility to ensure the total amount of weight placed on the MAC722 does not exceed 125 lbs (56.7 kg) [62.5 lbs (28.3) per faceplate]; **OR** on the PAC722 does not exceed 150 lbs (68.0 kg) [75 lbs (34.0) per faceplate].

WARNING: Before attaching displays to the MAC722/PAC722 ensure the stand or cart is on a level surface.

CAUTION: Load displays at same time so that load on MAC722/PAC722 is evenly distributed.

CAUTION: ALWAYS remove the displays BEFORE adjusting the height of the stand or cart.

- Adjust the stand or cart to the desired height by slightly lifting the inner column, pulling out knob on the center post and turning 90° in either direction to disengage the locking mechanism. (See Figure 6)

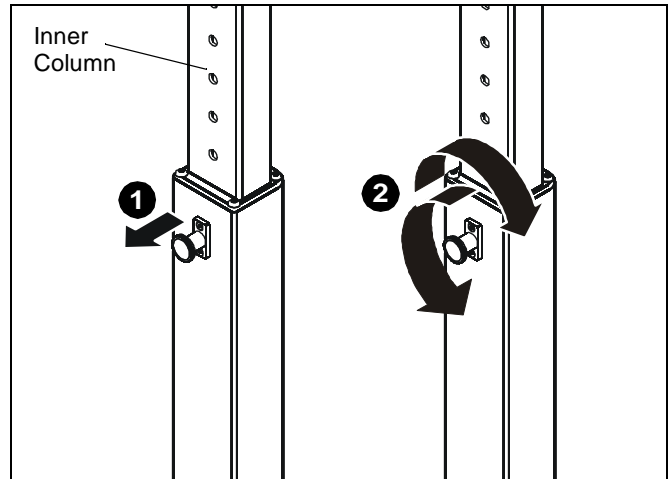


Figure 6

- Raise or lower the center post, then turn the knob 90° either direction to engage the knob and lock the stand at desired height. (See Figure 6)
- Attach interface brackets to the displays following the instructions included with the bracket.
- While supporting both sides of display, align four mounting buttons on display or interface bracket with four mounting holes in head assembly. (See Figure 7) and (See Figure 8)

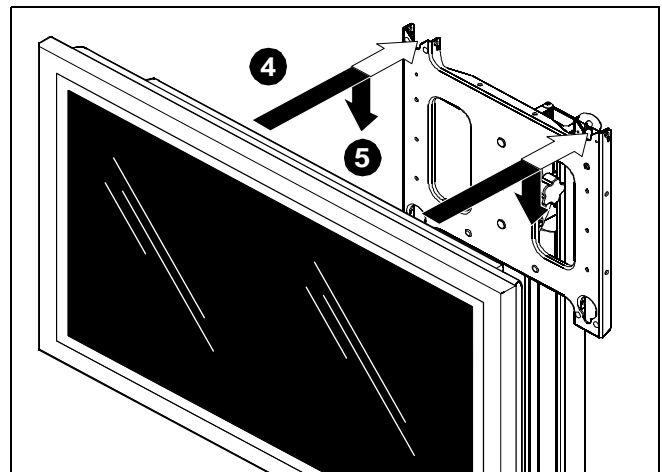


Figure 7



WARNING: EACH DISPLAY MAY WEIGH IN EXCESS OF 40 LBS! Always use two people and proper lifting techniques when installing or positioning display on stand.

- Lower display into place listening for audible "click" to ensure recessed area of mounting buttons are properly seated in lower area of mounting holes. (See Figure 7) and (See Figure 8)



WARNING: IMPROPER INSTALLATION CAN LEAD TO STAND OR DISPLAY FALLING CAUSING SERIOUS PERSONAL INJURY OR DAMAGE TO EQUIPMENT! Ensure mounting buttons are completely engaged in mounting holes.

NOTE: Holes are provided in the faceplate for use with a padlock or similar locking device, if desired. In addition, the pin and nut may be removed from the upper holes and moved to the lower holes for use as a more permanent locking device. (See Figure 8)

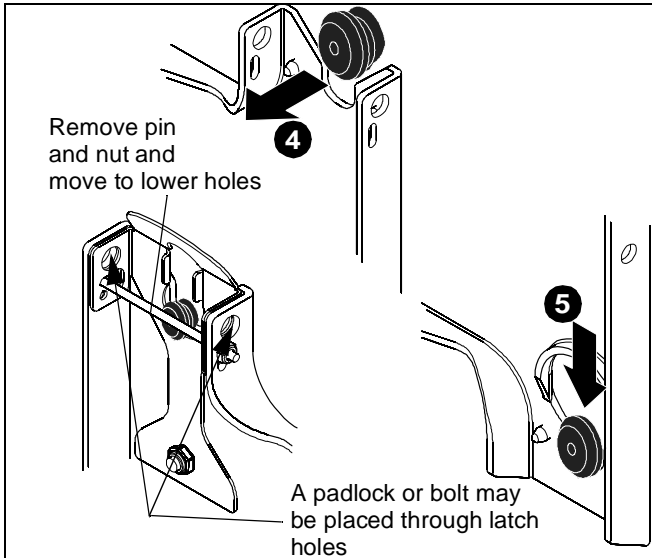


Figure 8

Tilting Display

The display(s) can be tilted up to 5° either backward or forward from a straight upright position.

- Turn knob counterclockwise on back of faceplate to loosen the tilt. (See Figure 9)

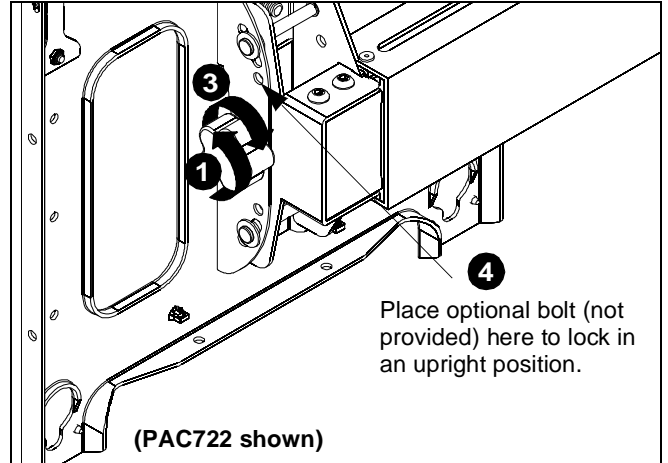


Figure 9

- Tilt display as desired, to a maximum of 5° either forward or backward.
- Turn knob clockwise to tighten display on head assembly. (See Figure 9)



CAUTION: Tighten knob on back of faceplate to prevent damage to the stand or cart.

- If leaving the display in a straight upright position, it is recommended that a bolt (not provided) be placed through the faceplate (See Figure 9) to lock the display into the upright position.
- Repeat Steps 1-4 for remaining faceplate and display.

Cable Management

- The display power cords can be run through the front of the extension assembly (A). (See Figure 10)
- The cords can then run through the extension assembly to the center of the assembly. (See Figure 10)
- When the cords are run to the center of the extension assembly, they can either exit out the front, or down through the cart or stand column. (See Figure 10)
- Any accessory power cords can be run through the front and down through the column. (See Figure 10)

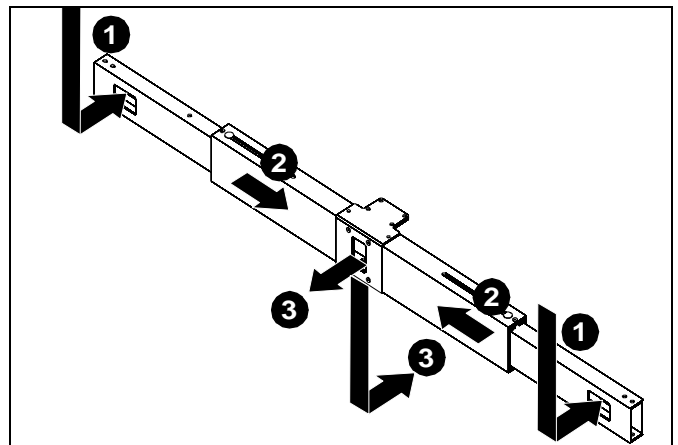


Figure 10



Our Mounts. **Your Vision.**

Chief Manufacturing, a products division
of Milestone AV Technologies

8807-002006 Rev02
©2010 Milestone AV Technologies, a
Duchossois Group Company
www.chiefmfg.com
10/10

USA/International	A 8401 Eagle Creek Parkway, Savage, MN 55378 P 800.582.6480 / 952.894.6280 F 877.894.6918 / 952.894.6918
Europe	A Fellenoord 130 5611 ZB EINDHOVEN, The Netherlands P +31 (0)40 2668620 F +31 (0)40 2668615
Asia Pacific	A Office No. 1 on 12/F, Shatin Galleria 18-24 Shan Mei Street Fotan, Shatin, Hong Kong P 852 2145 4099 F 852 2145 4477

