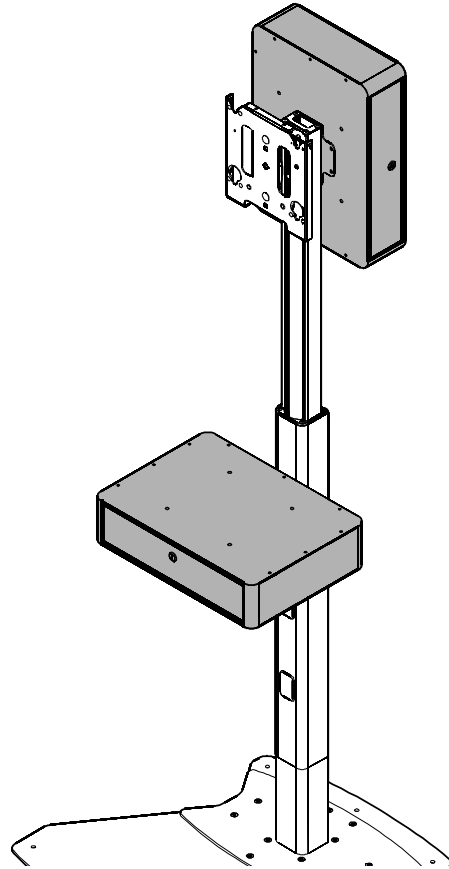

INSTALLATION INSTRUCTIONS



Small Secure Storage Shelf for Carts and Stands

DISCLAIMER

Milestone AV Technologies and its affiliated corporations and subsidiaries (collectively "Milestone"), intend to make this manual accurate and complete. However, Milestone makes no claim that the information contained herein covers all details, conditions or variations, nor does it provide for every possible contingency in connection with the installation or use of this product. The information contained in this document is subject to change without notice or obligation of any kind. Milestone makes no representation of warranty, expressed or implied, regarding the information contained herein. Milestone assumes no responsibility for accuracy, completeness or sufficiency of the information contained in this document.

Chief® is a registered trademark of Milestone AV Technologies. All rights reserved.



IMPORTANT WARNINGS AND CAUTIONS!



WARNING: A WARNING alerts you to the possibility of serious injury or death if you do not follow the instructions.



CAUTION: A CAUTION alerts you to the possibility of damage or destruction of equipment if you do not follow the corresponding instructions.

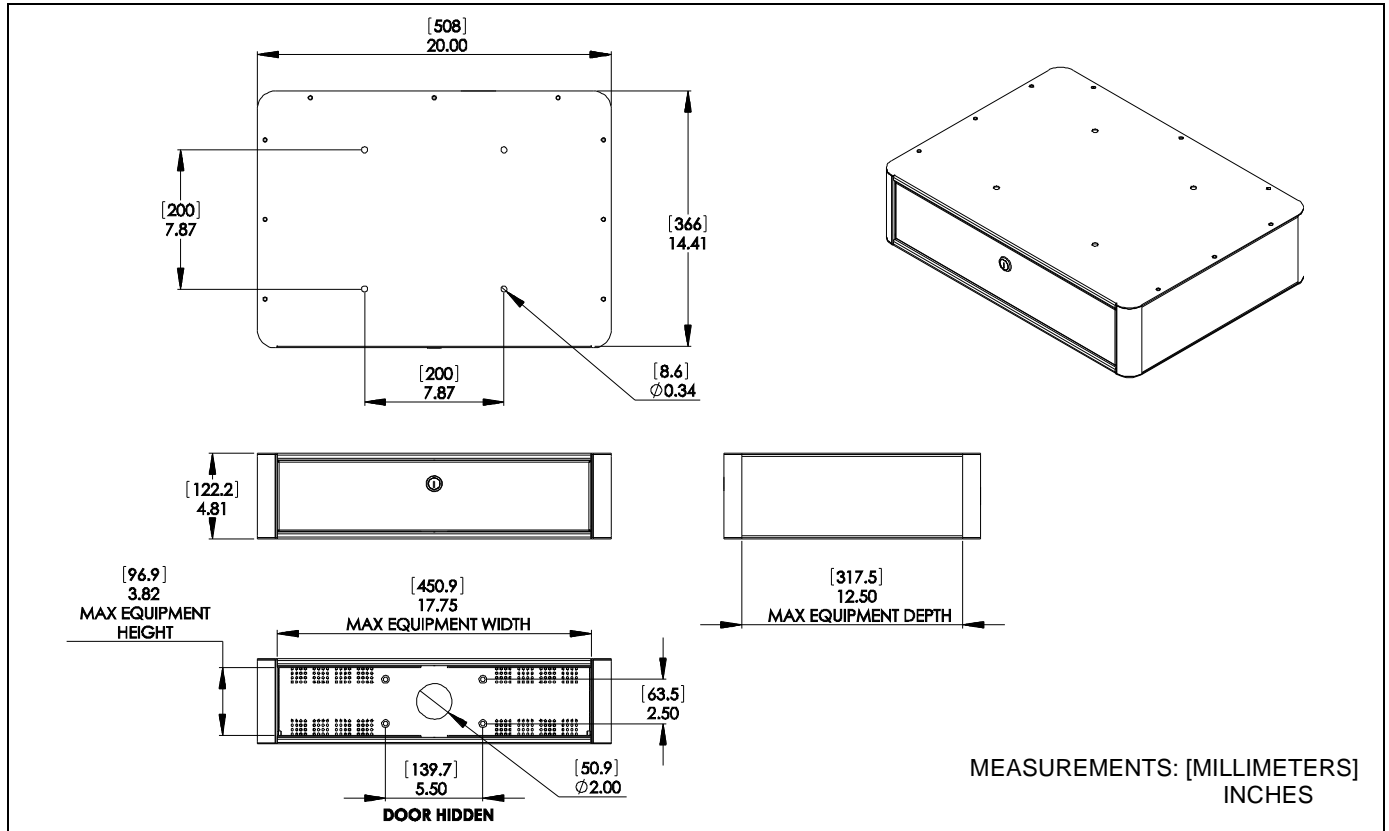


WARNING: Failure to read, thoroughly understand, and follow all instructions can result in serious personal injury, damage to equipment, or voiding of factory warranty! It is the installer's responsibility to make sure all components are properly assembled and installed using the instructions provided.



WARNING: Exceeding the weight capacity can result in serious personal injury or damage to equipment! It is the installer's responsibility to make sure the combined weight of all components stored within or on the PAC730 does not exceed 25 lbs (11.3 kg).

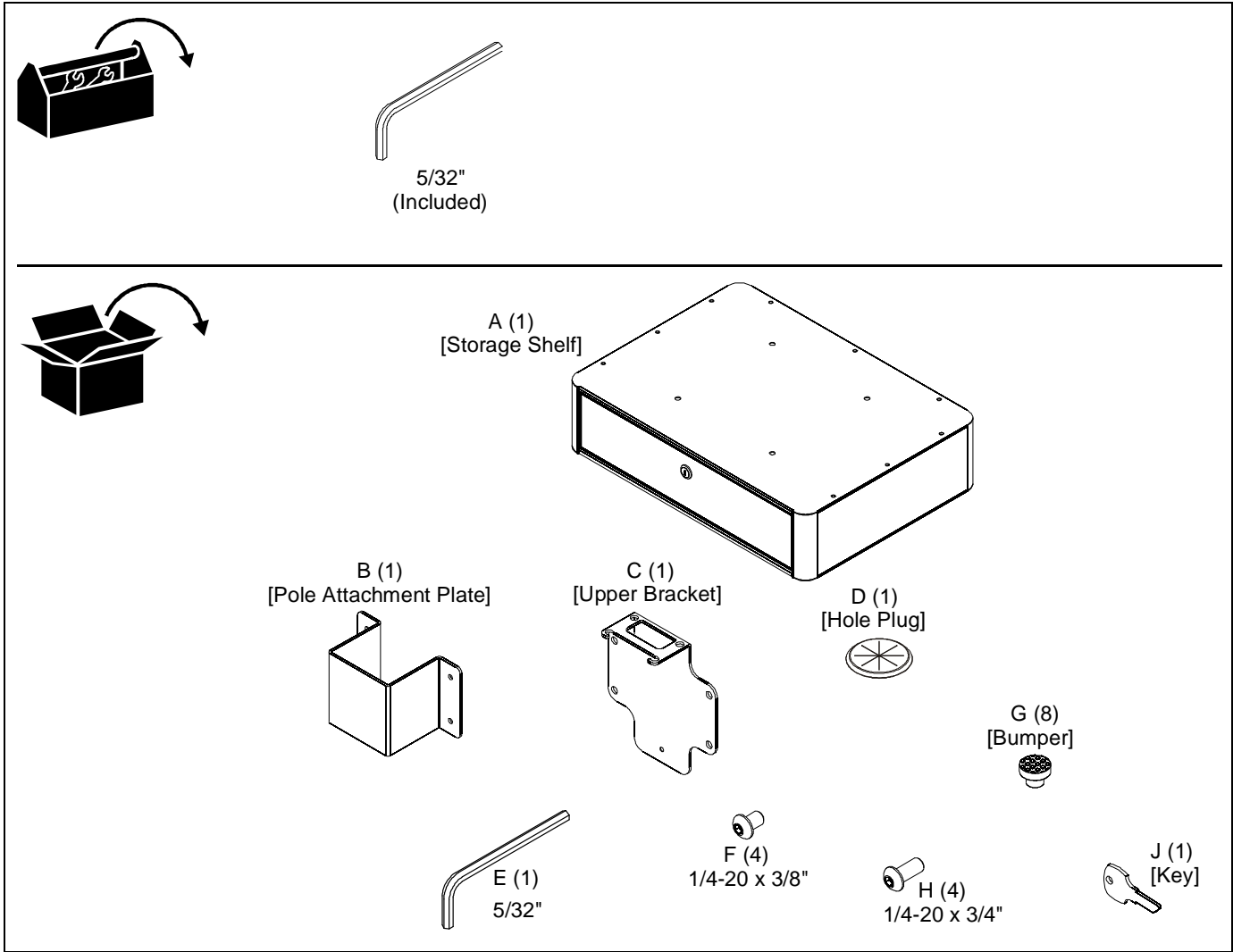
DIMENSIONS



LEGEND

	<p>Tighten Fastener</p> <p>Apretar elemento de fijación</p> <p>Befestigungsteil festziehen</p> <p>Apertar fixador</p> <p>Serrare il fissaggio</p> <p>Bevestiging vastdraaien</p> <p>Serrez les fixations</p>		<p>Loosen Fastener</p> <p>Aflojar elemento de fijación</p> <p>Befestigungsteil lösen</p> <p>Desapertar fixador</p> <p>Allentare il fissaggio</p> <p>Bevestiging losdraaien</p> <p>Desserrez les fixations</p>
	<p>By Hand</p> <p>A mano</p> <p>Von Hand</p> <p>Com a mão</p> <p>A mano</p> <p>Met de hand</p> <p>À la main</p>		<p>Hex-Head Wrench</p> <p>Llave de cabeza hexagonal</p> <p>Sechskantschlüssel</p> <p>Chave de cabeça sextavada</p> <p>Chiave esagonale</p> <p>Zeskantsleutel</p> <p>Clé à tête hexagonale</p>

TOOLS FOR INSTALLATION / PARTS



INSTALLATION

NOTE: The PAC730 may be mounted on the Chief cart or stand either by being attached mid-column on the cart or stand column, or to the top of the cart or stand column.

Mid-Column Attachment

1. Attach pole attachment plate (B) around the cart or stand column to the storage shelf (A) using four 1/4-20 x 3/8" button head cap screws (F). (See Figure 1)
2. Proceed to **Adding Bumpers** section.

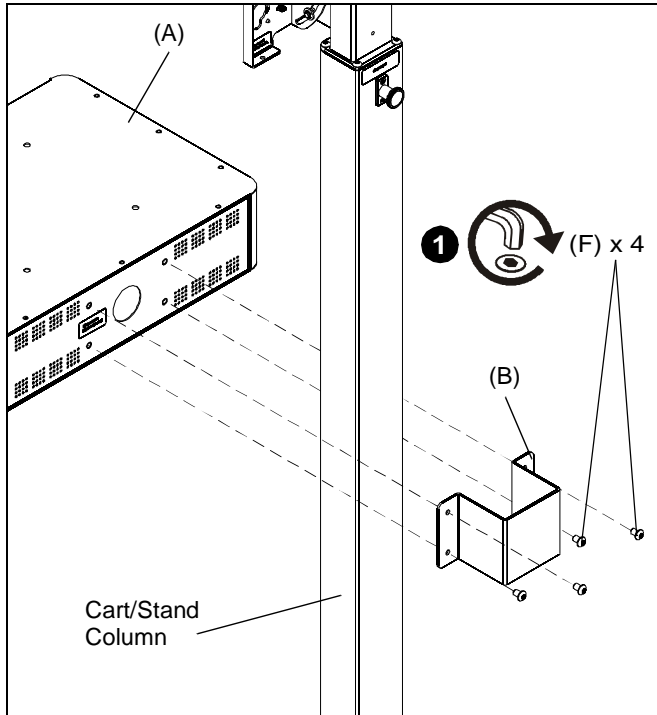


Figure 1

Top of Column Attachment

1. Attach upper bracket (C) to storage shelf (A) using four 1/4-20 x 3/4" button head cap screws (H). (See Figure 2)

NOTE: The upper bracket (C) may be attached in two different ways using the two hole patterns on the storage shelf bottom. (See Figure 2)

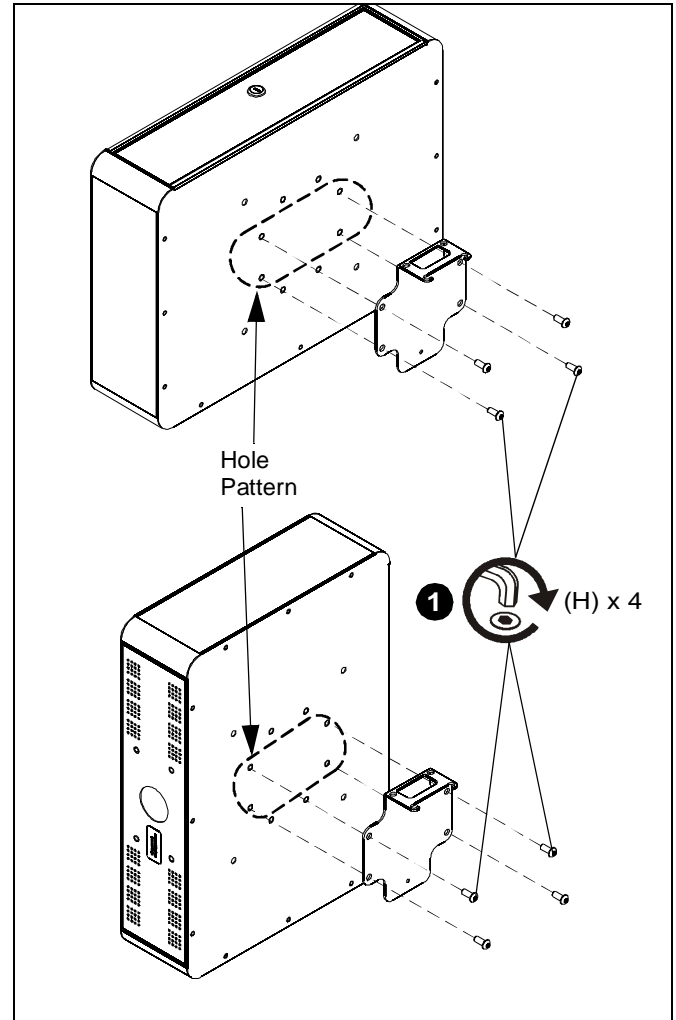


Figure 2

2. Remove display from faceplate following instructions in the cart or stand installation instructions.

3. Remove and save four button head cap screws from top of cart or stand column. (See Figure 3)
4. Place upper bracket with PAC730 onto top of cart or stand column. (See Figure 3)
5. Fasten PAC730 to cart or stand using four button head cap screws removed in Step 3. (See Figure 3)

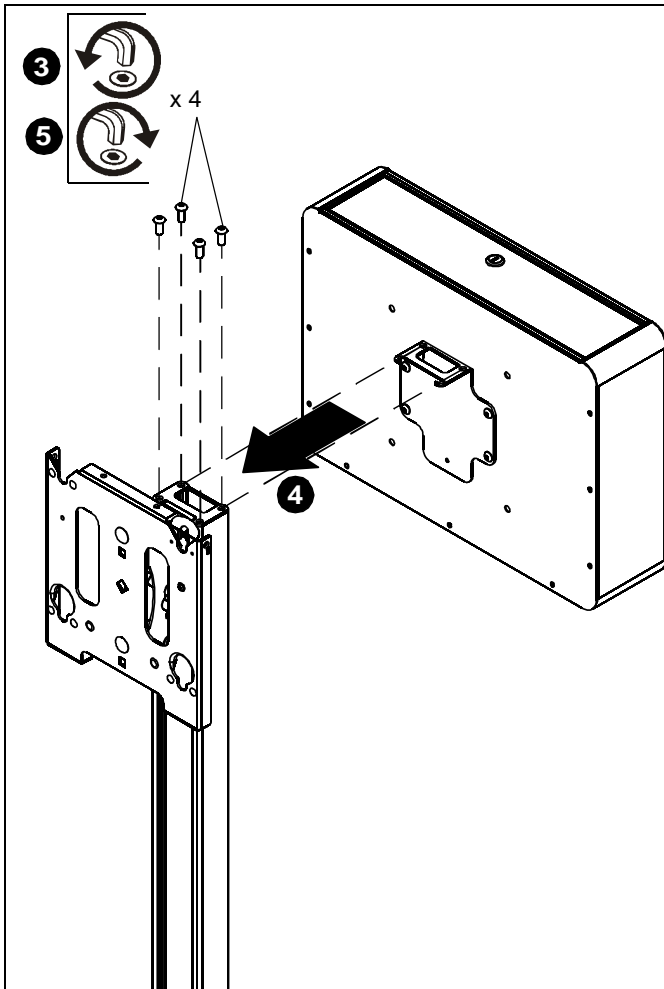


Figure 3

6. Re-attach display to faceplate following installation instructions included with cart or stand.

Adding Bumpers

Add eight bumpers (G) to fill the unused PEM nuts (inside the PAC730) to protect the stored equipment. They can be added to the unused PEM nuts in the circled areas. (See Figure 4)

Cable Management

1. Place hole plug (D) into 2" cable management opening. (See Figure 4)
2. Run cables from components in storage shelf through the plug in the cable management opening at the back of the storage shelf. (See Figure 4)

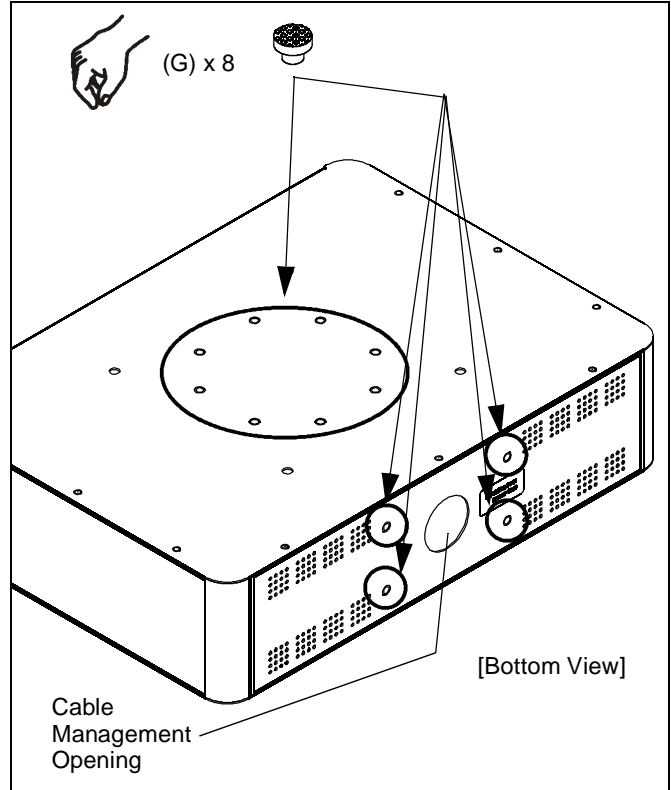


Figure 4



Our Mounts. **Your Vision.**

Chief Manufacturing, a products division
of Milestone AV Technologies

8807-002017 Rev00
©2010 Milestone AV Technologies, a
Duchossois Group Company
www.chiefmfg.com
06/10

USA/International	A 8401 Eagle Creek Parkway, Savage, MN 55378 P 800.582.6480 / 952.894.6280 F 877.894.6918 / 952.894.6918
Europe	A Fellenoord 130 5611 ZB EINDHOVEN, The Netherlands P +31 (0)40 2668620 F +31 (0)40 2668615
Asia Pacific	A Office No. 1 on 12/F, Shatin Galleria 18-24 Shan Mei Street Fotan, Shatin, Hong Kong P 852 2145 4099 F 852 2145 4477

