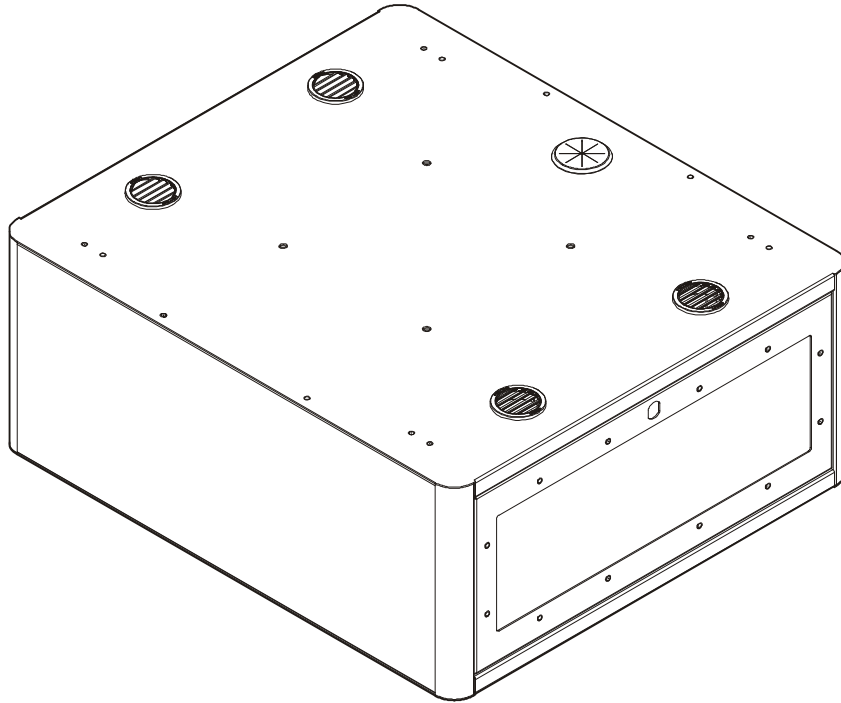

INSTALLATION INSTRUCTIONS



Secure Storage Cabinet

DISCLAIMER

Milestone AV Technologies and its affiliated corporations and subsidiaries (collectively "Milestone"), intend to make this manual accurate and complete. However, Milestone makes no claim that the information contained herein covers all details, conditions or variations, nor does it provide for every possible contingency in connection with the installation or use of this product. The information contained in this document is subject to change without notice or obligation of any kind. Milestone makes no representation of warranty, expressed or implied, regarding the information contained herein. Milestone assumes no responsibility for accuracy, completeness or sufficiency of the information contained in this document.

Chief® is a registered trademark of Milestone AV Technologies. All rights reserved.

! IMPORTANT SAFETY INSTRUCTIONS

! WARNING: A WARNING alerts you to the possibility of serious injury or death if you do not follow the instructions.

! CAUTION: A CAUTION alerts you to the possibility of damage or destruction of equipment if you do not follow the corresponding instructions.

! WARNING: Failure to read, thoroughly understand, and follow all instructions can result in serious personal injury, damage to equipment, or voiding of factory warranty! It is the installer's responsibility to make sure all components are properly assembled and installed using the instructions provided.

! WARNING: Exceeding the weight capacity can result in serious personal injury or damage to equipment! It is the installer's responsibility to make sure the combined weight of all equipment stored within the PAC735 does not exceed 40 lbs (18.14 kg).

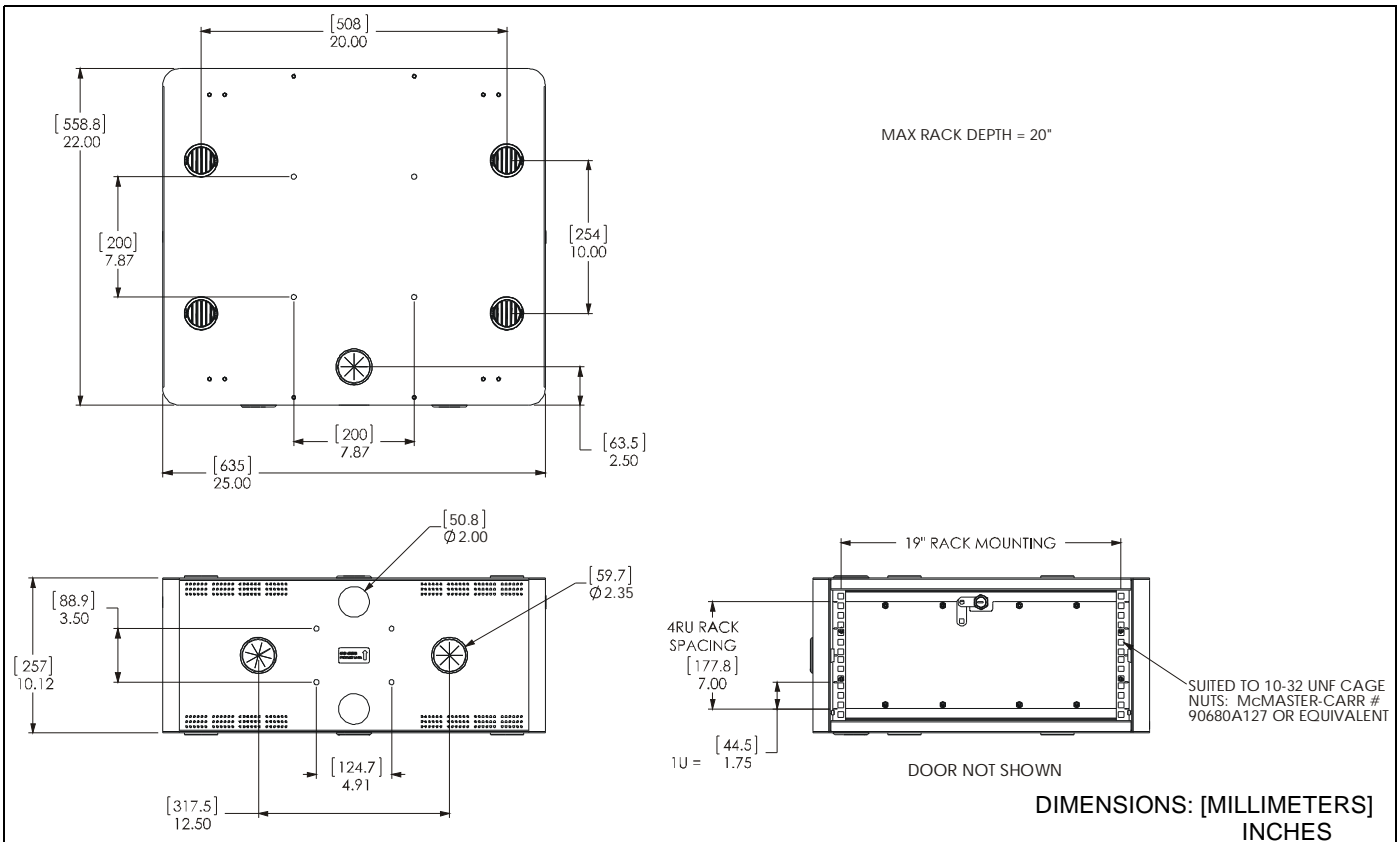
! WARNING: Use this mounting system only for its intended use as described in these instructions. Do not use attachments not recommended by the manufacturer.

! WARNING: Never operate this mounting system if it is damaged. Return the mounting system to a service center for examination and repair.

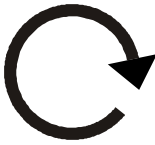

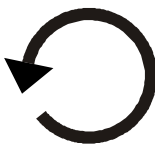


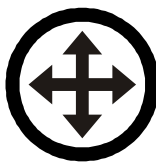






! WARNING: Do not use this product outdoors.

--SAVE THESE INSTRUCTIONS--

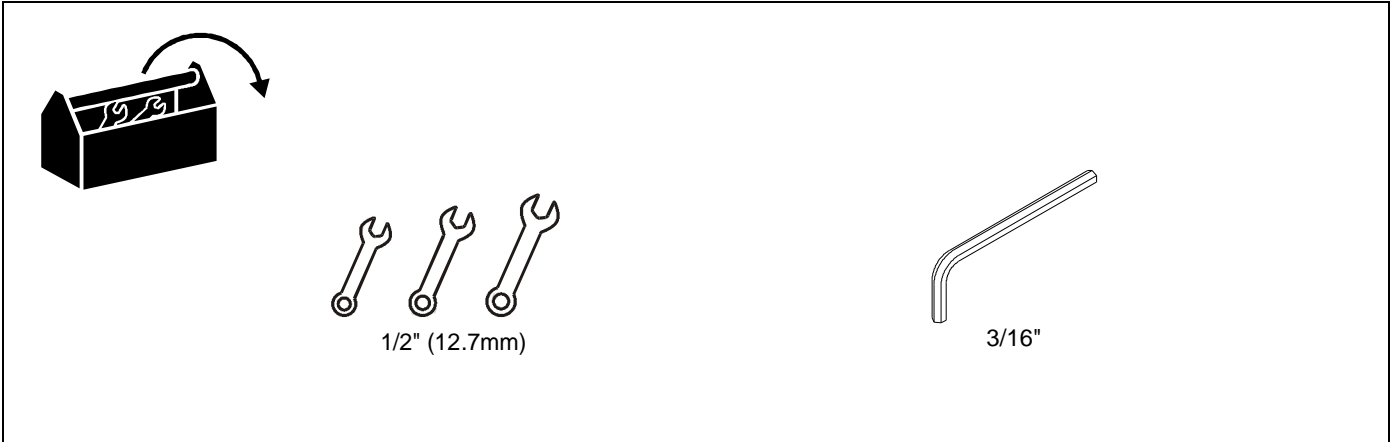
DIMENSIONS



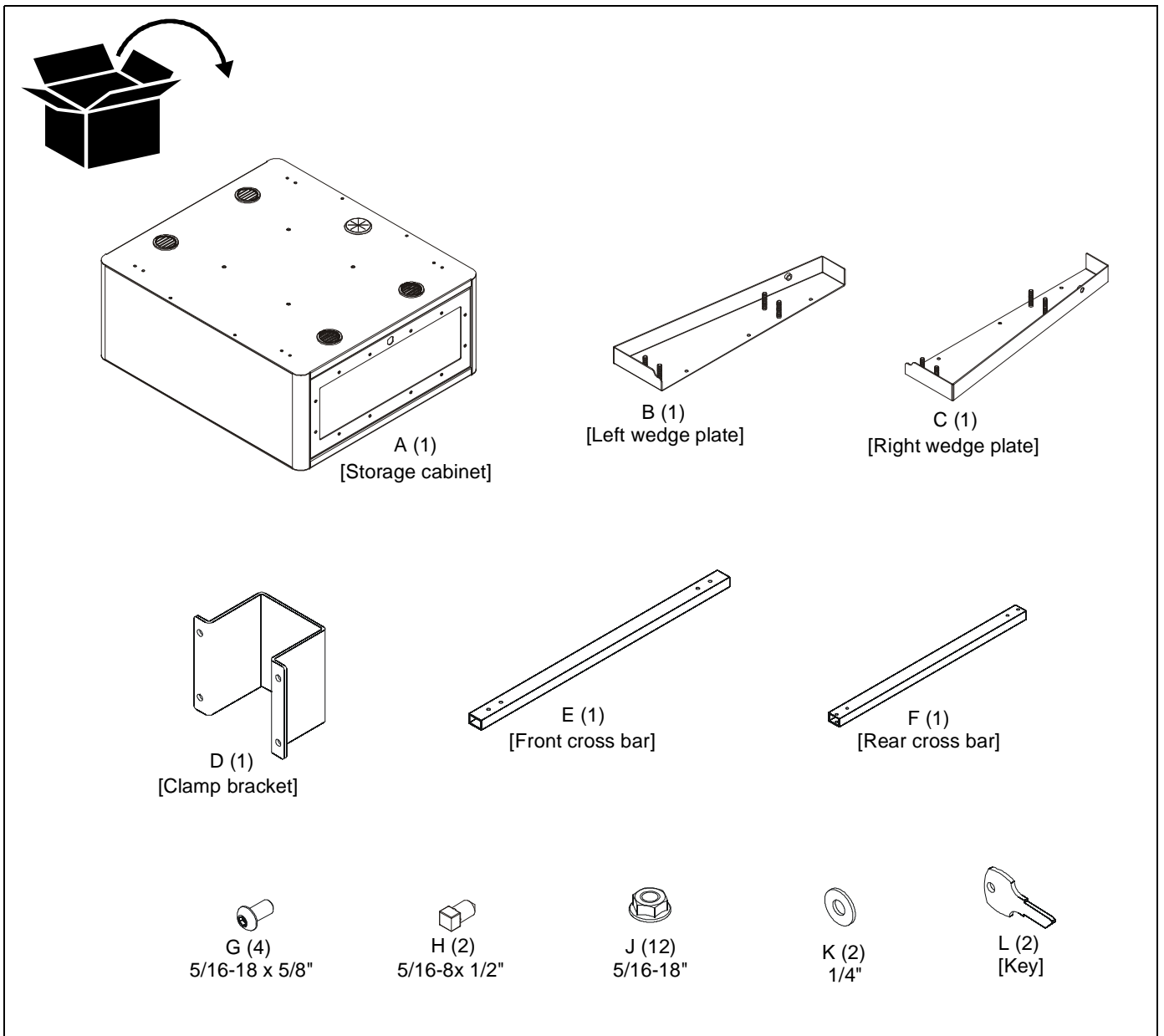
LEGEND

| | | | |
|---|---|--|---|
|  | <p>Tighten Fastener Apretar elemento de fijación Befestigungsteil festziehen Apertar fixador Serrare il fissaggio Bevestiging vastdraaien Serrez les fixations</p> |  | <p>Pencil Mark Marcar con lápiz Stiftmarkierung Marcar com lápis Segno a matita Potloodmerkteken Marquage au crayon</p> |
|  | <p>Loosen Fastener Aflojar elemento de fijación Befestigungsteil lösen Desapertar fixador Allentare il fissaggio Bevestiging losdraaien Desserrez les fixations</p> |  | <p>Drill Hole Perforar Bohrloch Fazer furo Praticare un foro Gat boren Percez un trou</p> |
|  | <p>Phillips Screwdriver Destornillador Phillips Kreuzschlitzschraubendreher Chave de fendas Phillips Cacciavite a stella Kruskopschroevendraaier Tournevis à pointe cruciforme</p> |  | <p>Adjust Ajustar Einstellen Ajustar Regolare Afstellen Ajuster</p> |
|  | <p>Open-Ended Wrench Llave de boca Gabelschlüssel Chave de bocas Chiave a punte aperte Steeksleutel Clé à fourche</p> |  | <p>Remove Quitar Entfernen Remover Rimuovere Verwijderen Retirez</p> |
|  | <p>By Hand A mano Von Hand Com a mão A mano Met de hand À la main</p> |  | <p>Optional Opcional Optional Opcional Opzionale Optie En option</p> |
|  | <p>Hex-Head Wrench Llave de cabeza hexagonal Sechskantschlüssel Chave de cabeça sextavada Chiave esagonale Zeskantsleutel Clé à tête hexagonale</p> |  | <p>Security Wrench Llave de seguridad Sicherheitsschlüssel Chave de segurança Chiave di sicurezza Veiligheidssleutel Clé de sécurité</p> |

TOOLS REQUIRED FOR INSTALLATION



PARTS



ASSEMBLY AND INSTALLATION

Assemble Base Support (Cart Installation ONLY!)

NOTE: If installing PAC735 to a stand rather than a cart, the base support is not needed as the PAC735 will sit directly on the base of the stand. Proceed to Mount Storage Cabinet section.

1. Place left wedge plate (B) and right wedge plate (C) on a flat surface with threaded bolts facing up. (See Figure 1)
2. Place front cross bar (E) and rear cross bar (F) on top of wedge plates and insert bolts through corresponding holes on cross bars. (See Figure 1)
3. Install eight 5/16-18" hex nuts (J) over each threaded bolt and tighten until cross bars are secured to wedge plates. (See Figure 1)

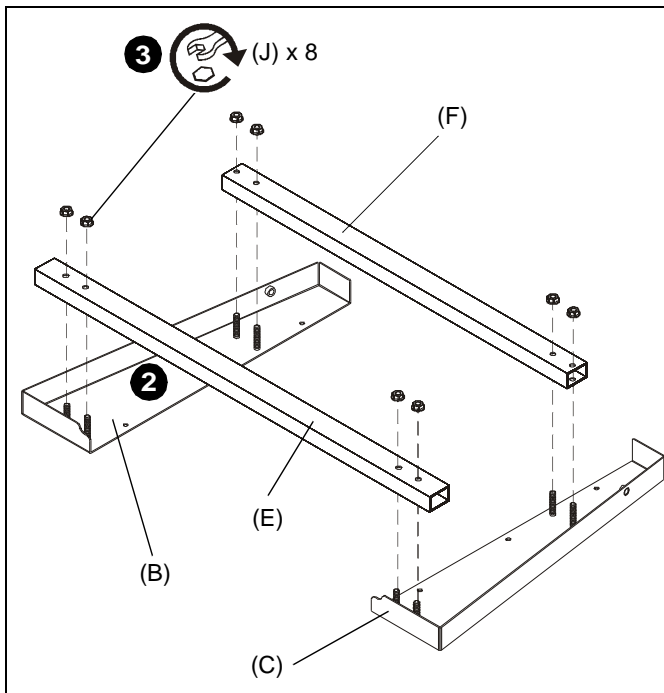


Figure 1

Attach Base Support to Cart

1. Partially install two 5/16-18 x 1/2" square head cap screws (H) and two 1/4" flat washers (K) into side holes on wedge plates. **DO NOT TIGHTEN!** (See Figure 2)

NOTE: Screws should protrude approximately 1/8" beyond wedge plate edge.

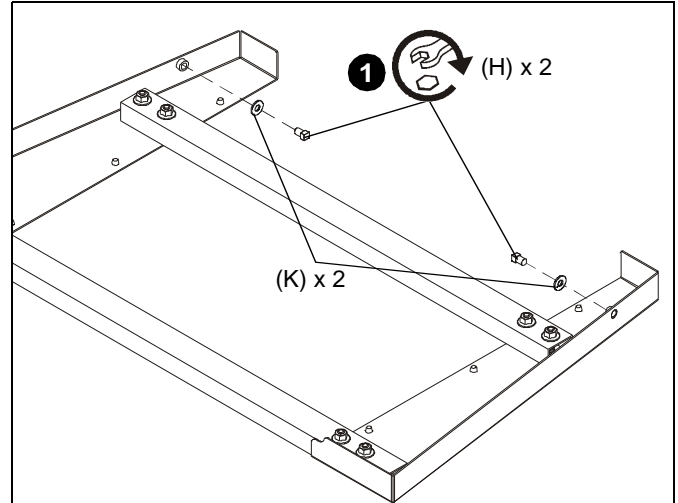


Figure 2

2. Slightly loosen (approximately three turns) the front button head cap screw on either side of the cart base. (See Figure 3)

NOTE: Only **one** screw should be loosened on only **one** side of the cart base.

3. Place base support inside legs of cart and push toward cart back. (See Figure 3)

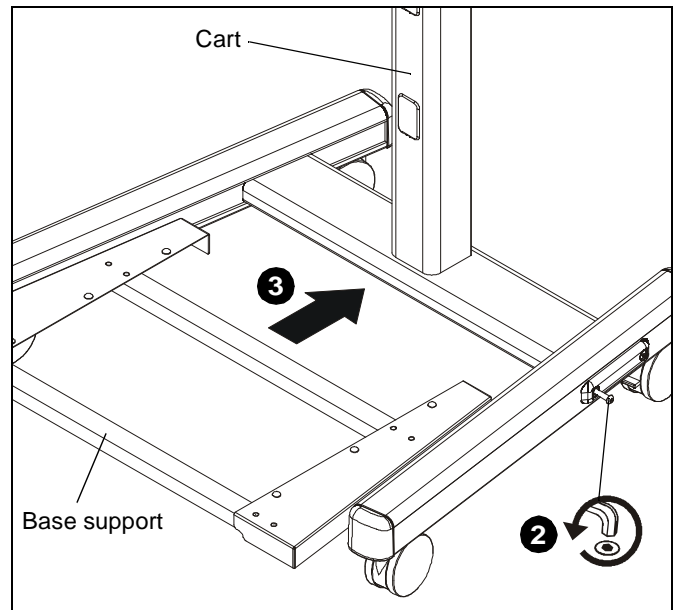


Figure 3

4. Push base support back until it snaps in behind front cap of cart base. (See Figure 4)
5. Tighten button head cap screw on cart side which was loosened in Step 2. (See Figure 4)
6. Tighten two 5/16-18 x 1/2" square head cap screws (H) from Step 1 further into cart until base support is secured to cart. (See Figure 5)

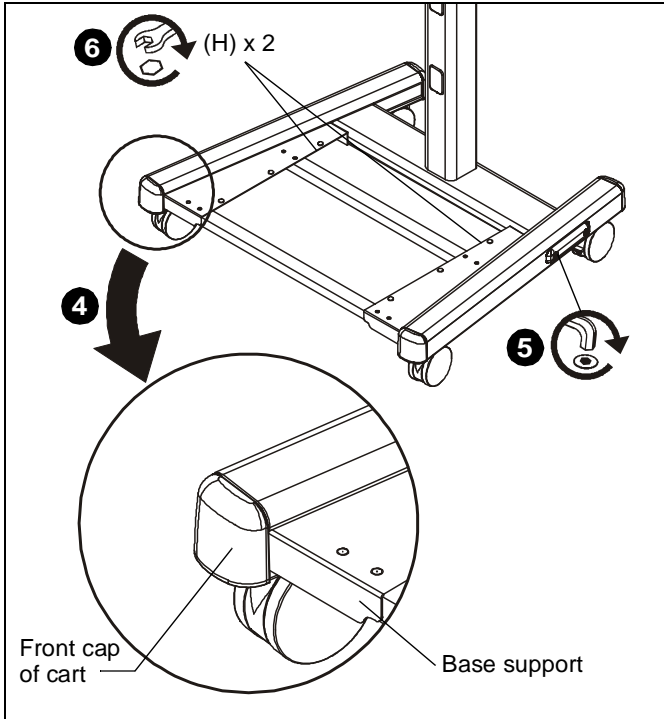


Figure 4

Mount Storage Cabinet

1. Place storage cabinet (A) on top of base support. (See Figure 5)

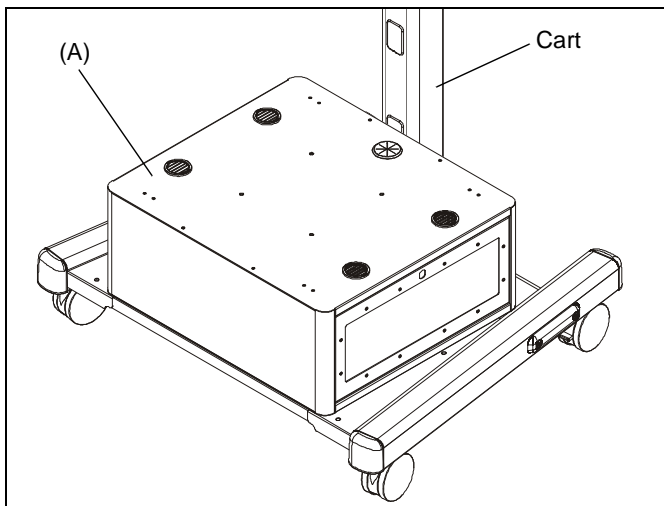


Figure 5

2. Place clamp bracket (D) around cart/stand and line up with holes on back of storage cabinet (A). (See Figure 6)

3. Insert four 5/16-18 x 5/8" button head cap screws (G) through clamp bracket holes and into holes on back of storage cabinet (A). (See Figure 6)

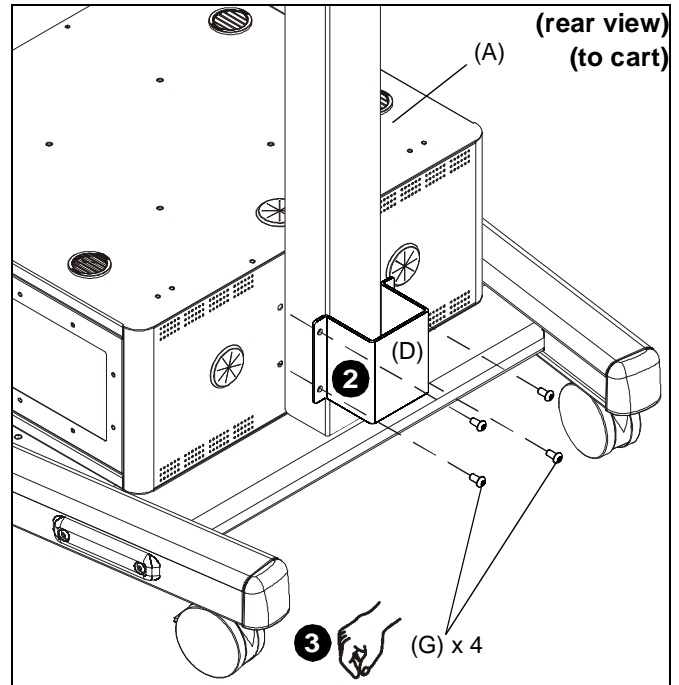


Figure 6

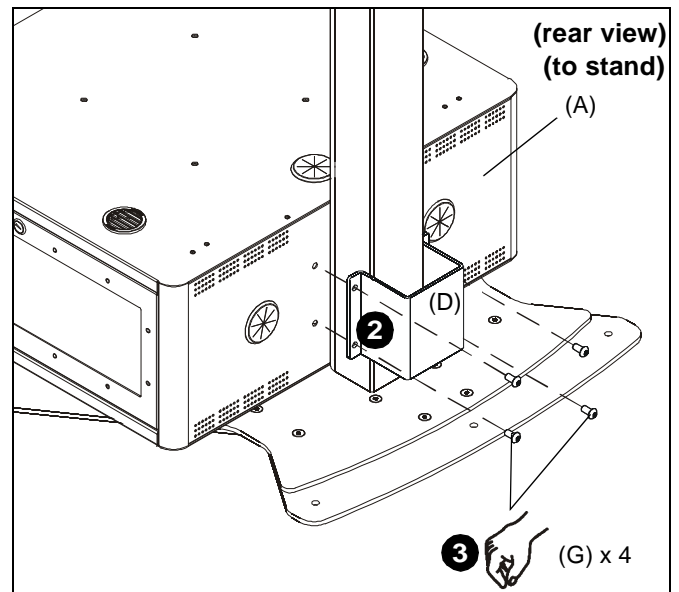


Figure 7

4. Open either door on accessory to install remaining four 5/16-18" hex nuts (J) onto four 5/16-18 x 5/8" button head cap screws (G) until accessory is fully secured to cart/stand. (See Figure 6)

NOTE: Up to three storage cabinets can be stacked vertically on top of each other per cart/stand. Repeat steps 1-4 for additional cabinets and use holes on top of cabinets to bolt cabinets together.

Rack Installation (Optional)

1. Open windowed door.
2. Slide rack equipment (not included) into storage cabinet.

NOTE: Each storage cabinet supports 19" (483 mm) wide rack mount equipment and has a capacity of 4 U.

3. Use #10-32 cage nuts (not included) to secure storage racks to storage cabinet.



Our Mounts. **Your Vision.**

Chief Manufacturing, a products division
of Milestone AV Technologies

8807-002016 Rev03
©2012 Milestone AV Technologies, a
Duchossois Group Company
www.chiefmfg.com
08/12

| | |
|--------------------------|---|
| USA/International | A 6436 City West Parkway, Eden Prairie, MN 55344 |
| | P 800.582.6480 / 952.225.6000 |
| | F 877.894.6918 / 952.894.6918 |
| Europe | A Franklinstraat 14, 6003 DK Weert, Netherlands |
| | P +31 (0) 495 580 852 |
| | F +31 (0) 495 580 845 |
| Asia Pacific | A Office No. 1 on 12/F, Shatin Galleria 18-24 Shan Mei Street Fotan, Shatin, Hong Kong |
| | P 852 2145 4099 |
| | F 852 2145 4477 |

