

---

# INSTALLATION INSTRUCTIONS

---

---

## Outdoor Casters Accessory

---

**DISCLAIMER**

Milestone AV Technologies and its affiliated corporations and subsidiaries (collectively "Milestone"), intend to make this manual accurate and complete. However, Milestone makes no claim that the information contained herein covers all details, conditions or variations, nor does it provide for every possible contingency in connection with the installation or use of this product. The information contained in this document is subject to change without notice or obligation of any kind. Milestone makes no representation of warranty, expressed or implied, regarding the information contained herein. Milestone assumes no responsibility for accuracy, completeness or sufficiency of the information contained in this document.

Chief® is a registered trademark of Milestone AV Technologies. All rights reserved.

**! IMPORTANT WARNINGS AND CAUTIONS!**

**! WARNING:** A WARNING alerts you to the possibility of serious injury or death if you do not follow the instructions.

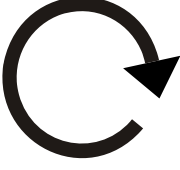
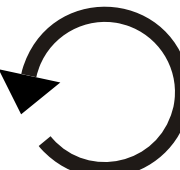
**! CAUTION:** A CAUTION alerts you to the possibility of damage or destruction of equipment if you do not follow the corresponding instructions.

**! WARNING:** Failure to read, thoroughly understand, and follow all instructions can result in serious personal injury, damage to equipment, or voiding of factory warranty! It is the installer's responsibility to make sure all components are properly assembled and installed using the instructions provided.

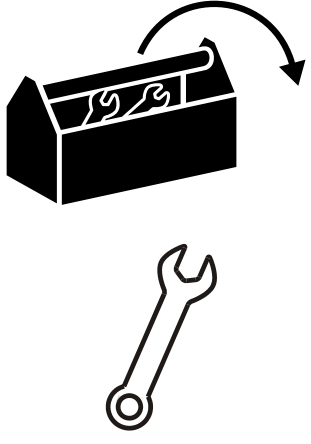

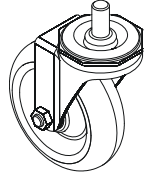
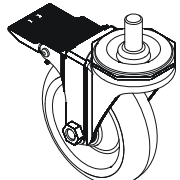
**! WARNING:** Failure to provide adequate structural strength for this component can result in serious personal injury or damage to equipment! It is the installer's responsibility to make sure the structure to which this component is attached can support five times the combined weight of all equipment. Reinforce the structure as required before installing the component.

**! WARNING:** Exceeding weight capacity can result in serious personal injury or damage to equipment! It is the installer's responsibility to make sure the combined weight of all components does not exceed the maximum allowable weight of the mount to which this accessory is being installed.

**LEGEND**

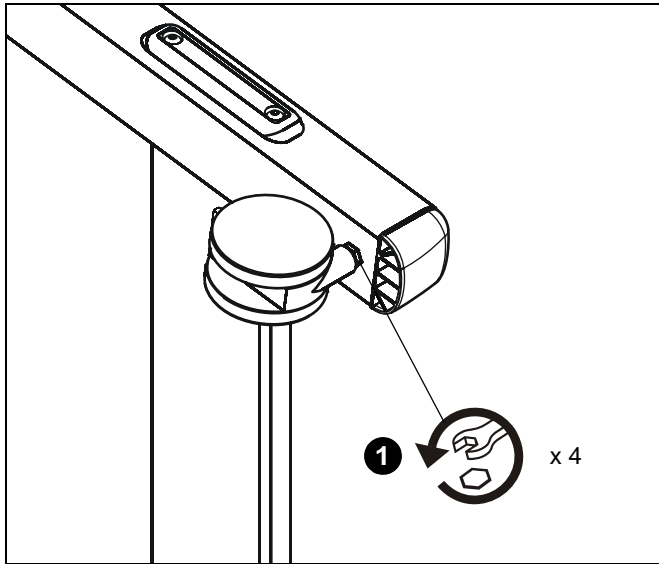
	<b>Tighten Fastener</b>		<b>Loosen Fastener</b>
	Apretar elemento de fijación		Aflojar elemento de fijación
	Befestigungsteil festziehen		Befestigungsteil lösen
	Apertar fixador		Desapertar fixador
	Serrare il fissaggio		Allentare il fissaggio
	Bevestiging vastdraaien		Bevestiging losdraaien
	Serrez les fixations		Desserrez les fixations

**TOOLS AND PARTS REQUIRED FOR INSTALLATION**

		 <p>A (2) [4" caster]</p>	 <p>B (2) [4" caster w/brake]</p>
---	---	---	--

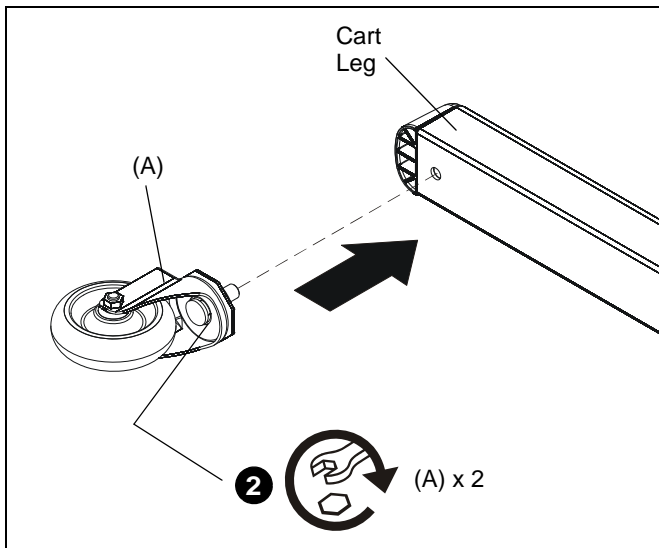
**ASSEMBLY**

1. Using a wrench, loosen the bolts and remove the four casters currently installed on the cart. (See Figure 1)



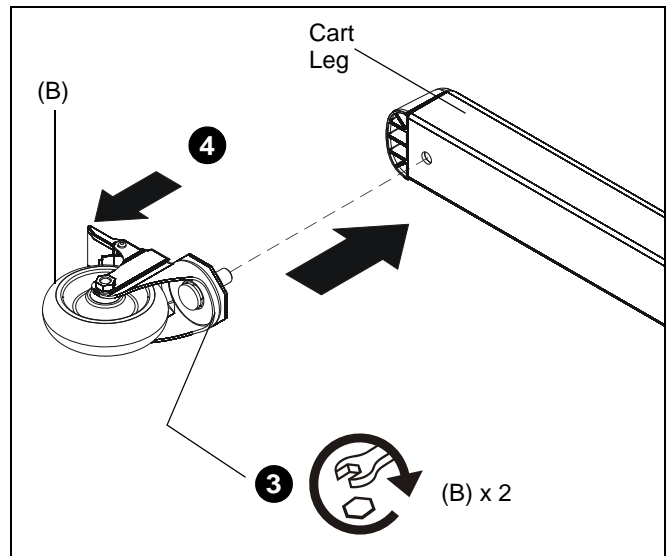
**Figure 1**

2. Place casters (A) on front of cart and tighten bolts. (See Figure 2)



**Figure 2**

3. Place locking casters (B) on rear of cart and tighten bolts. (See Figure 3)



**Figure 3**

4. Lock rear casters (B) by stepping on top edge at **BRAKE ON** imprint. (See Figure 3)
5. Unlock rear casters (B) by stepping on the **OFF** button on top edge of caster.



Our Mounts. **Your Vision.**

Chief Manufacturing, a products division  
of Milestone AV Technologies

8809-002001 REV 01

©2009 Milestone AV Technologies, a  
Duchossois Group Company  
[www.chiefmfg.com](http://www.chiefmfg.com)

05/09

**USA/International** A 8401 Eagle Creek Parkway, Savage, MN 55378  
P 800.582.6480 / 952.894.6280  
F 877.894.6918 / 952.894.6918

**Europe** A Fellenoord 130 5611 ZB EINDHOVEN, The Netherlands  
P +31 (0)40 2668620  
F +31 (0)40 2668615

**Asia Pacific** A Room 24F, Block D, Lily YinDu International Building  
LuoGang, BuJi Town, Shenzhen, CHINA.  
深圳市布吉罗岗村百合银都国际大厦D栋24F  
P +86-755-8996 9226  
F +86-755-8996 9217

