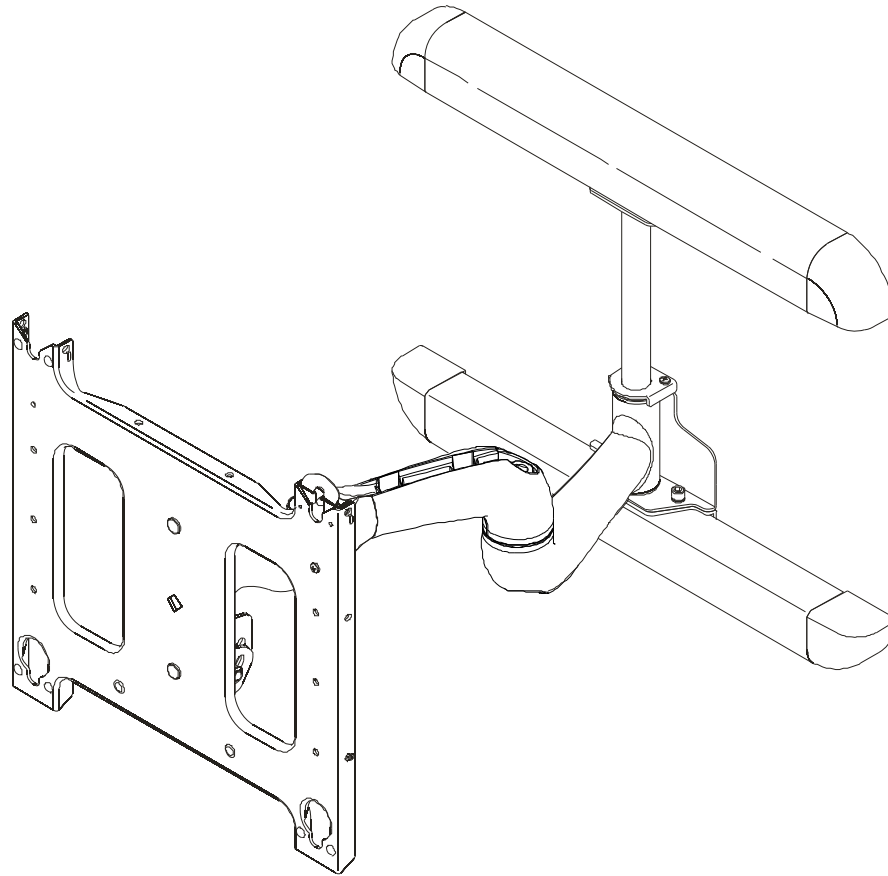

INSTALLATION INSTRUCTIONS



Large Flat Panel Wall Mount

DISCLAIMER

Milestone AV Technologies, and its affiliated corporations and subsidiaries (collectively, "Milestone"), intend to make this manual accurate and complete. However, Milestone makes no claim that the information contained herein covers all details, conditions or variations, nor does it provide for every possible contingency in connection with the installation or use of this product. The information contained in this document is subject to change without notice or obligation of any kind. Milestone makes no representation of warranty, expressed or implied, regarding the information contained herein. Milestone assumes no responsibility for accuracy, completeness or sufficiency of the information contained in this document.

Chief® is a registered trademark of Milestone AV Technologies. All rights reserved.

⚠ IMPORTANT WARNINGS AND CAUTIONS!

⚠ WARNING: A WARNING alerts you to the possibility of serious injury or death if you do not follow the instructions.

⚠ CAUTION: A CAUTION alerts you to the possibility of damage or destruction of equipment if you do not follow the corresponding instructions.

⚠ WARNING: Failure to read, thoroughly understand, and follow all instructions can result in serious personal injury, damage to equipment, or voiding of factory warranty! It is the installer's responsibility to make sure all components are properly assembled and installed using the instructions provided.

⚠ WARNING: Failure to provide adequate structural strength for the installation of this kit can result in serious personal injury or damage to equipment! It is the installer's responsibility to make sure the structure to which this mount is attached can support five times the combined weight of all equipment.

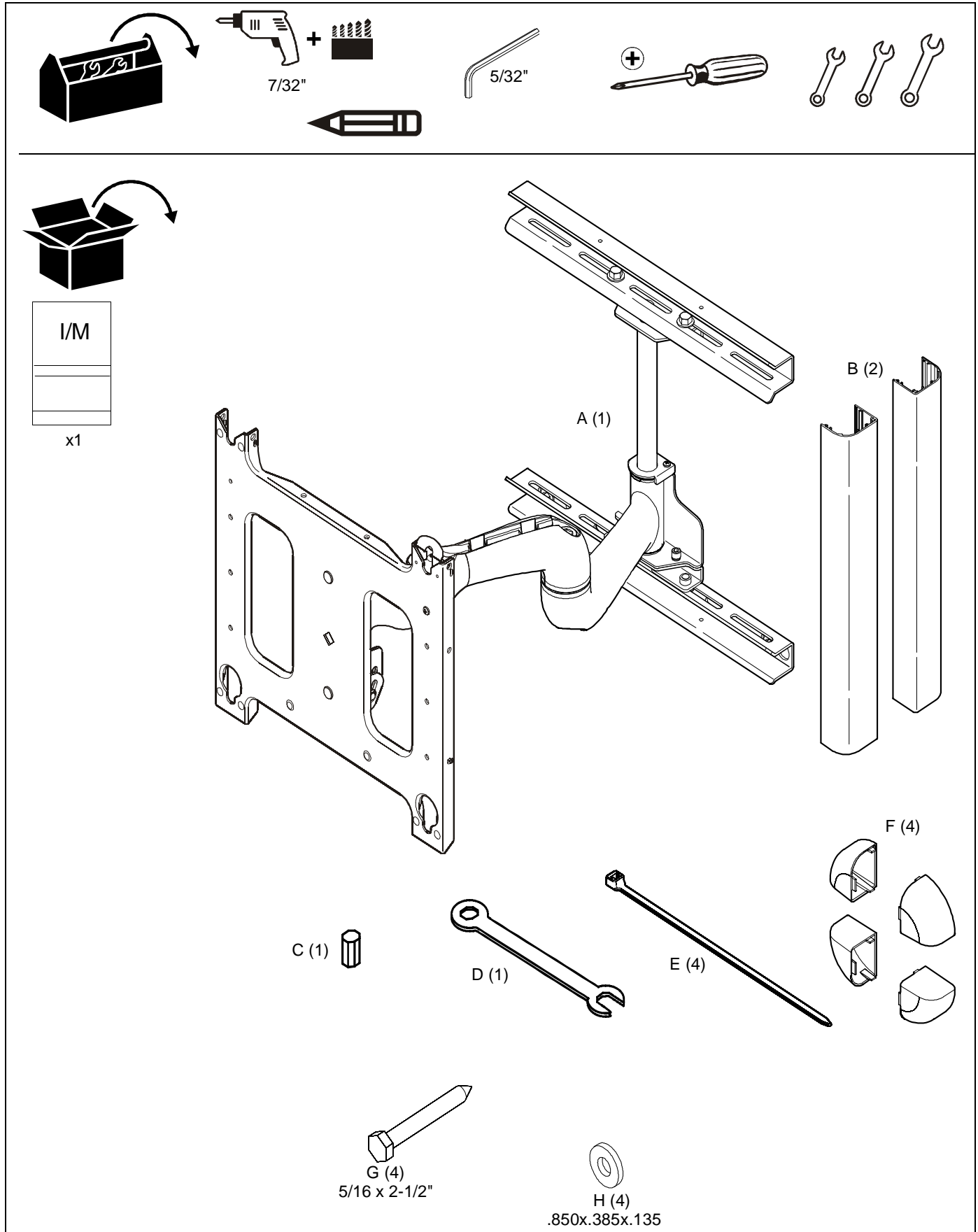
⚠ WARNING: Exceeding the weight capacity can result in serious personal injury or damage to equipment! It is the installer's responsibility to make sure the combined weight of all components attached to this accessory does not exceed 125 lbs (56.7 kg).

LEGEND

	Tighten Fastener
	Apretar elemento de fijación
	Befestigungsteil festziehen
	Apertar fixador
	Serrare il fissaggio
	Bevestiging vastdraaien
	Serrez les fixations
Сожмите Застежку	
	Loosen Fastener
	Aflojar elemento de fijación
	Befestigungsteil lösen
	Desapertar fixador
	Allentare il fissaggio
	Bevestiging losdraaien
	Desserrez les fixations
Ослабьте Застежку	
	Open-Ended Wrench
	Llave de boca
	Gabelschlüssel
	Chave de bocas
	Chiave a punte aperte
	Steeksleutel
	Clé à fourche
Открытый Рывок	

	Adjust
	Ajustar
	Einstellen
	Ajustar
	Regolare
	Afstellen
	Ajuster
Приспособьтесь	
	Hex-Head Wrench
	Llave de cabeza hexagonal
	Sechskantschlüssel
	Chave de cabeça sextavada
	Chiave esagonale
	Zeskantsleutel
	Clé à tête hexagonale
Главный вельмой Рывок	
	Phillips Screwdriver
	Destornillador Phillips
	Kreuzschlitzschraubendreher
	Chave de fendas Phillips
	Cacciavite a stella
	Kruiskopschroevendraaier
	Tournevis à pointe cruciforme
Отвертка	

TOOLS REQUIRED FOR INSTALLATION AND PARTS

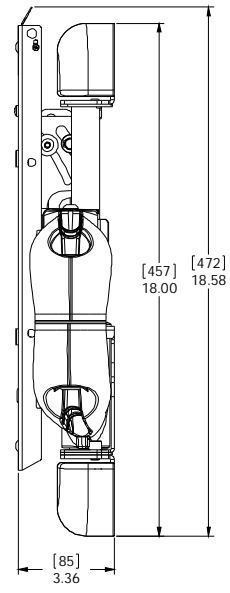
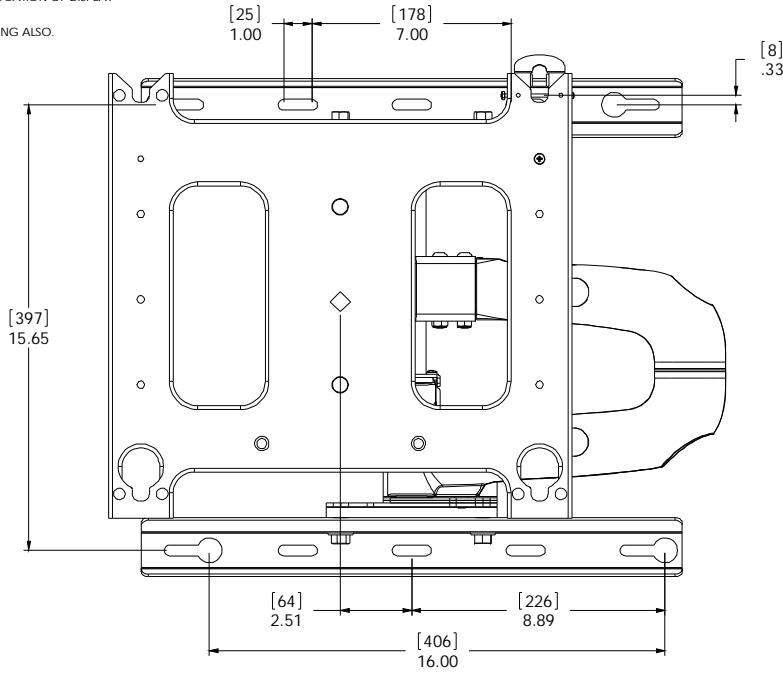


DIMENSIONS

PRODUCT FEATURES	
WEIGHT CAPACITY	125 LBS
HEIGHT ADJUSTMENT	0"
TILT / ROLL / YAW	+5°/-15° / ±2.5° / ±0°

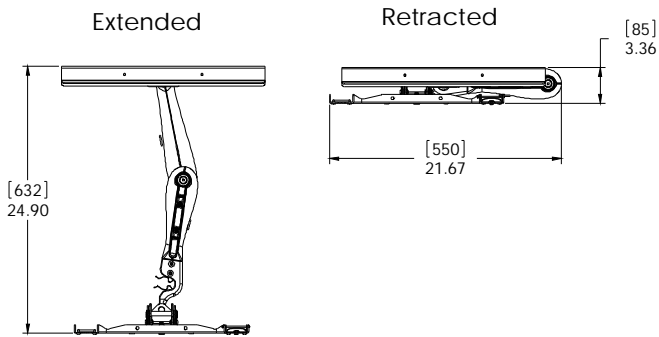
NOTE: CUSTOM INTERFACE BRACKET NOT SHOWN. THE CUSTOM INTERFACE BRACKET NEEDED FOR YOUR DISPLAY WILL ADD BETWEEN 1/2" AND 2" IN DEPTH AND MAY AFFECT LOCATION OF DISPLAY ON THE MOUNT.
SEE PSB-XXXX DRAWING ALSO.

Mounting Pattern

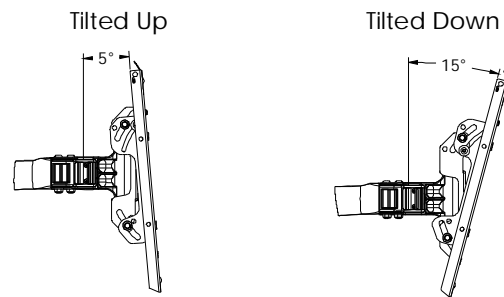


ALL MEASUREMENTS ARE IN THE FOLLOWING FORMAT:
[MILLIMETERS]
INCHES

UNIT DEPTH



TILT ADJUSTMENT



ROLL ADJUSTMENT

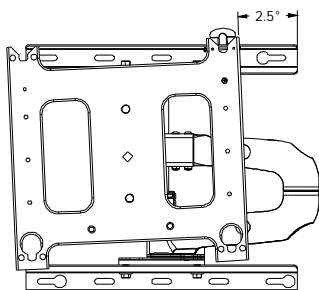


Figure 1

Mount Installation



WARNING: IMPROPER INSTALLATION CAN LEAD TO MOUNT FALLING CAUSING SERIOUS PERSONAL INJURY OR DAMAGE TO EQUIPMENT! It is the installer's responsibility to make sure the structure to which the PWR is being installed is capable of supporting five times the combined weight of the mount and all attachments.

1. Determine mounting location taking into consideration display size and mount movement.
2. Using a stud sensor locate two wood studs 16" apart on center. (See Figure 2)
3. Using two people, place mount against wall and level mount aligning mounting holes in upper and lower wall channels with studs. (See Figure 2)
4. Use a pencil mark four mounting holes making sure mounting holes are located as close as possible to center of studs. (See Figure 2)
5. Drill four pilot holes where the mounting holes were marked using a 7/32" (6mm) drill bit. (See Figure 2)
6. Install two 5/16" x 2-1/2" lag bolts(G) and two 0.135" thick washers (H), through mounting holes in upper wall channel and into pilot holes. DO NOT tighten at this time.
7. Using two people place mount against wall aligning mounting holes in upper wall channel with lag bolts and hang mount on lag bolts making sure washers are located in front of mount.
8. Adjust mount lateral position left until lag bolts are seated in mounting slots in upper wall channel.
9. Install two 5/16" x 2-1/2" lag bolts (G) and two 0.135" thick washers (H), through mounting holes in lower wall channel and into pilot holes. (See Figure 3)
10. Tighten all hardware. DO NOT overtighten!

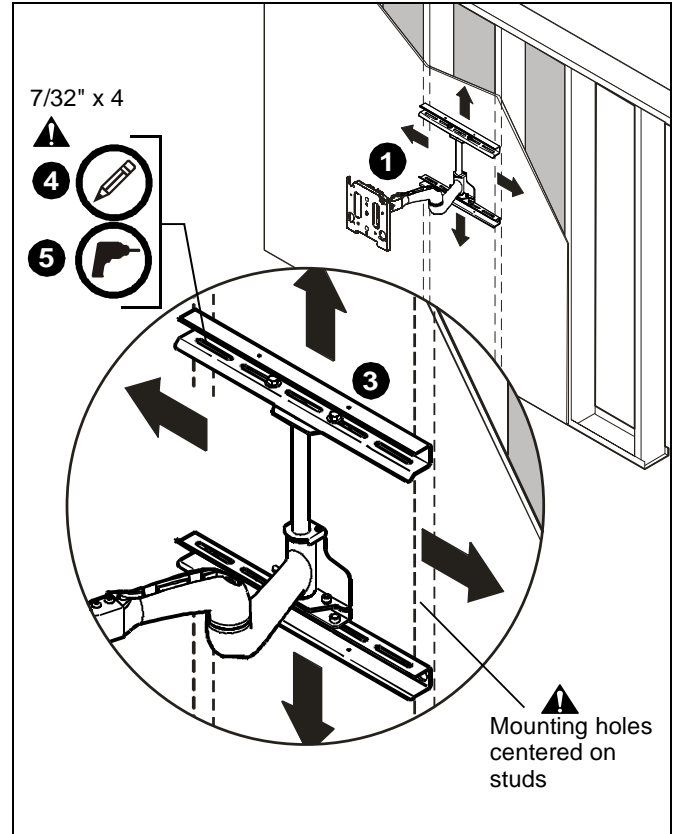


Figure 2

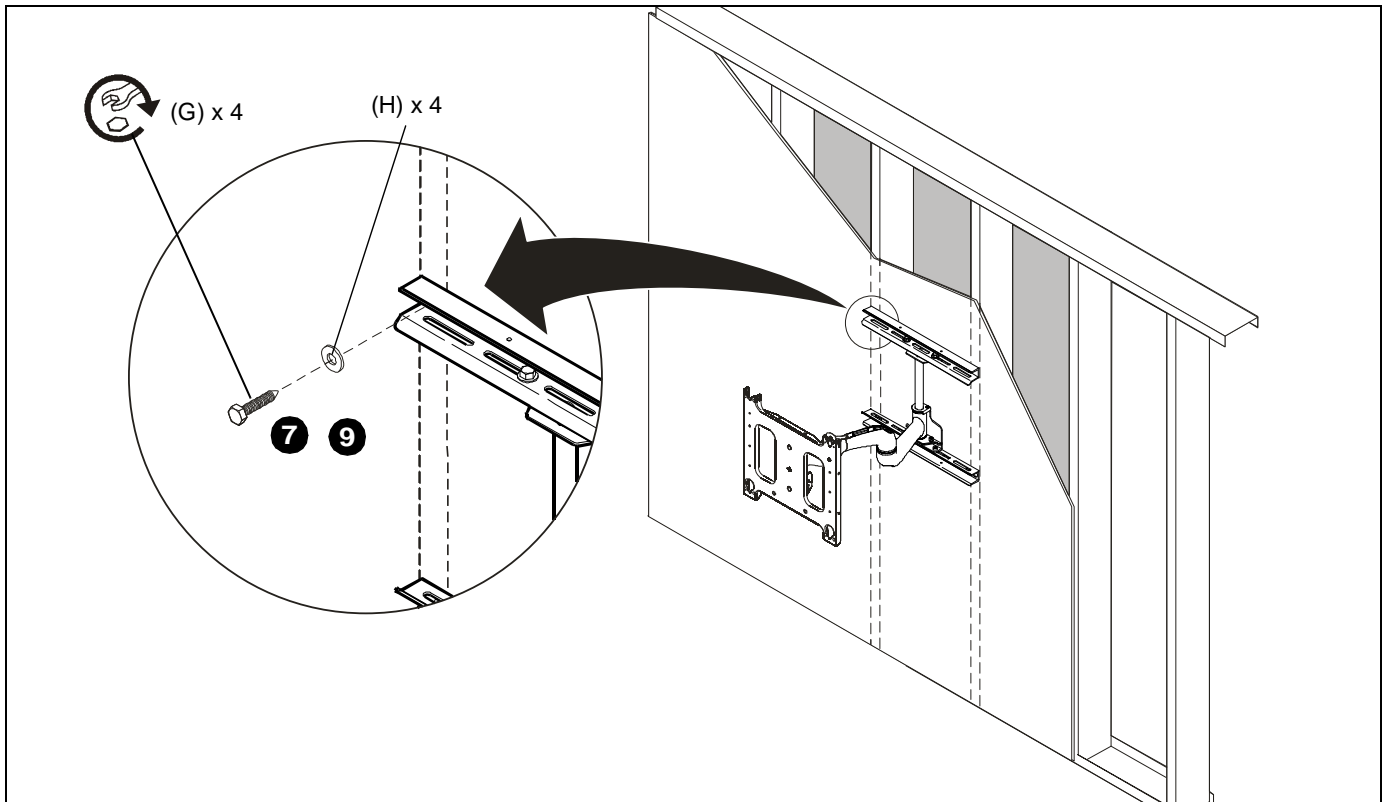


Figure 3

Mount Lateral Position Adjustment

The PWR is designed to allow up to 5" of right or left lateral adjustment after being mounted to the wall. This lateral adjustment can be used to more precisely position where the center of the display is located when installation is complete.

To adjust the mounts lateral position:

1. Remove display if installed.
2. While holding swing arm, remove two hex head cap screws and two washers securing swing arm to upper wall channel. (See Figure 4)
3. While holding swing arm, remove two hex head cap screws and two washers securing swing arm to lower wall channel. (See Figure 4)
4. Set hardware aside for reuse. (See Figure 4)
5. Slide swing arm left or right until desired location is reached making sure mounting holes in swing arm upper and lower mounting plates align with mounting slots in upper and lower wall plates. (See Figure 4)
6. Secure swing arm to upper and lower wall channels using hex head cap screws and washers set aside during steps 1 and 2. (See Figure 4)

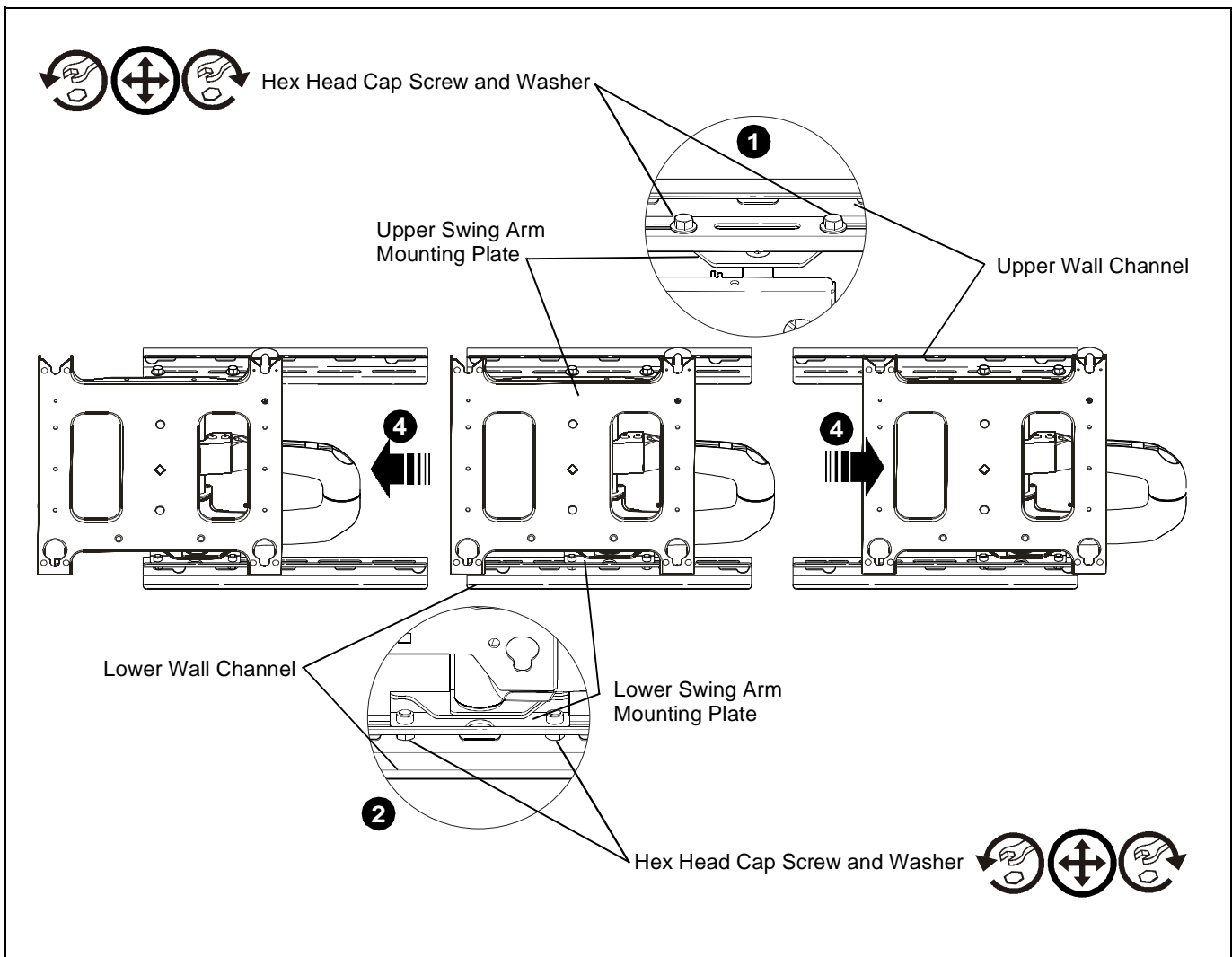


Figure 4

Cover Installation

To install channel covers:

1. Install upper and lower wall channel covers (B) by tipping cover top down and positioning as shown in end view of figure below. (See Figure 5)
2. Tap firmly across bottom of channels (B) to lock in place as shown in figure below. (See Figure 5)
3. Install R.H. and L.H. end caps (F) by aligning tabs on end caps (F) with slots in wall channel covers (B) and sliding tabs in until end caps (F) are flush with wall channel covers (B). (See Figure 5)

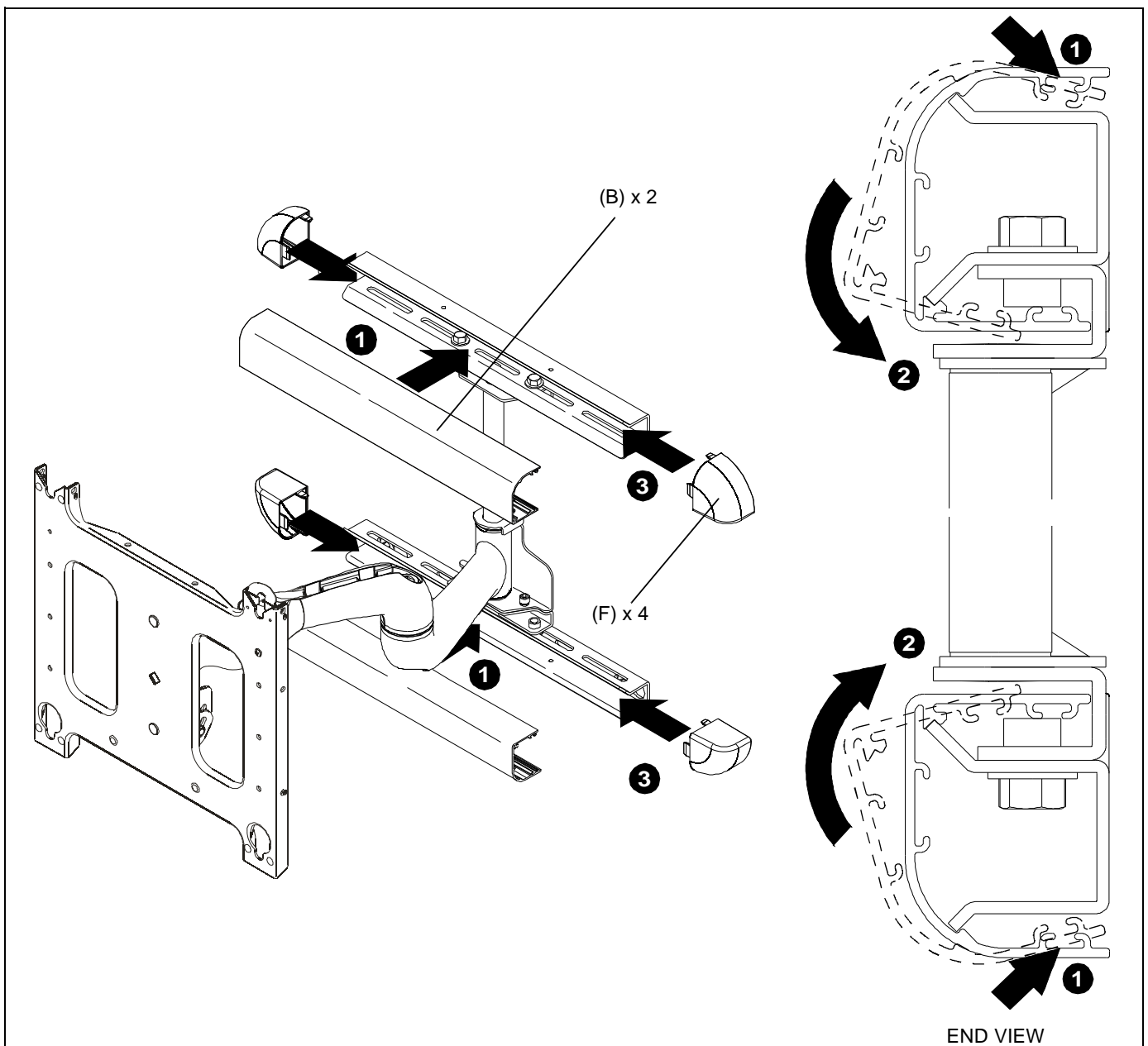


Figure 5

Display Installation



WARNING: IMPROPER INSTALLATION CAN LEAD TO MOUNT FALLING CAUSING SEVERE PERSONAL INJURY OR DAMAGE TO EQUIPMENT. Displays can weigh in excess of 40 lbs (18.1kg). ALWAYS use two people and proper lifting techniques when installing display.



WARNING: IMPROPER INSTALLATION CAN LEAD TO MOUNT FALLING CAUSING SEVERE PERSONAL INJURY OR DAMAGE TO EQUIPMENT. Make sure mounting buttons on display are properly seated in mounting holes in faceplate.

To install display:

1. Move mount faceplate to extended position by grasping faceplate and pulling outward away from wall. (See Figure 6)
2. While supporting both sides of display, align four mounting buttons on display or interface bracket with four mounting holes in faceplate. (See Figure 6)
3. Lower display into place listening for audible "click" to ensure recessed area of mounting buttons are properly seated in lower area of mounting holes and "click lock" mechanism has engaged. (See Figure 6) and (See Figure 7)

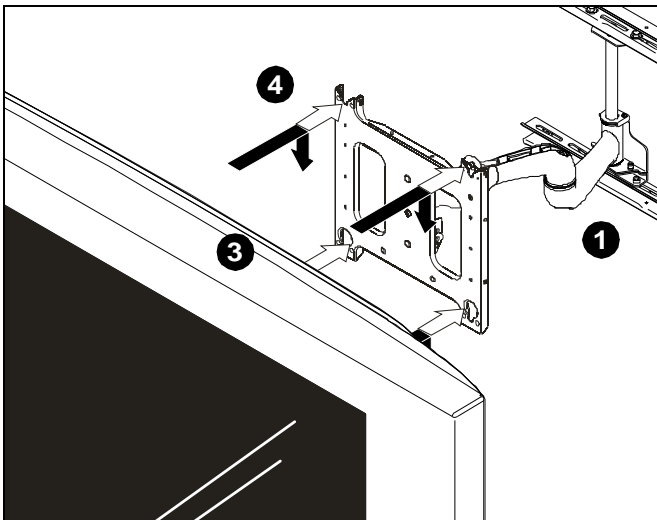


Figure 6

NOTE: Holes are provided in the faceplate for use with a padlock or similar locking device, if desired. In addition, the pin and nut may be removed from the upper holes and moved to the lower holes for use as a more permanent locking device. (See Figure 7)

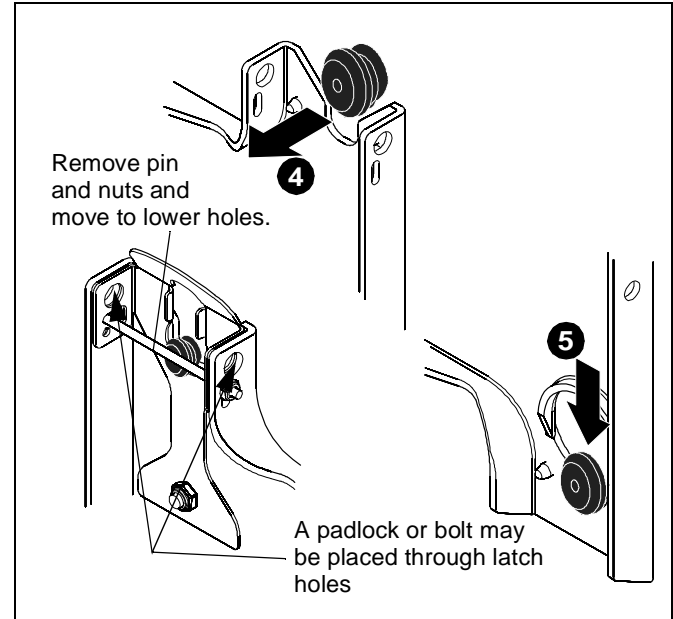


Figure 7

CABLE MANAGEMENT



WARNING: IMPROPER INSTALLATION CAN LEAD TO SERIOUS PERSONAL INJURY OR DAMAGE TO EQUIPMENT! Make sure cables do not run through pinch points.

1. Loosen front and rear cable clamps on top arm. (See Figure 8)
2. Thread cable ties (E) under cable clamps and secure clamps to top arm. (See Figure 8)
3. Route power/audio/video cables through the cable channel in top arm (See Figure 8), allowing sufficient slack in cables for Left/Right movement of display and swing arm and also swing arm extension and retraction.
4. Secure cables to top arm using two cable ties (E).
5. Repeat steps 1 through 4 for lower arm.



WARNING: IMPROPER INSTALLATION CAN LEAD TO SERIOUS PERSONAL INJURY OR DAMAGE TO EQUIPMENT! DO NOT route cables through holes in faceplate.

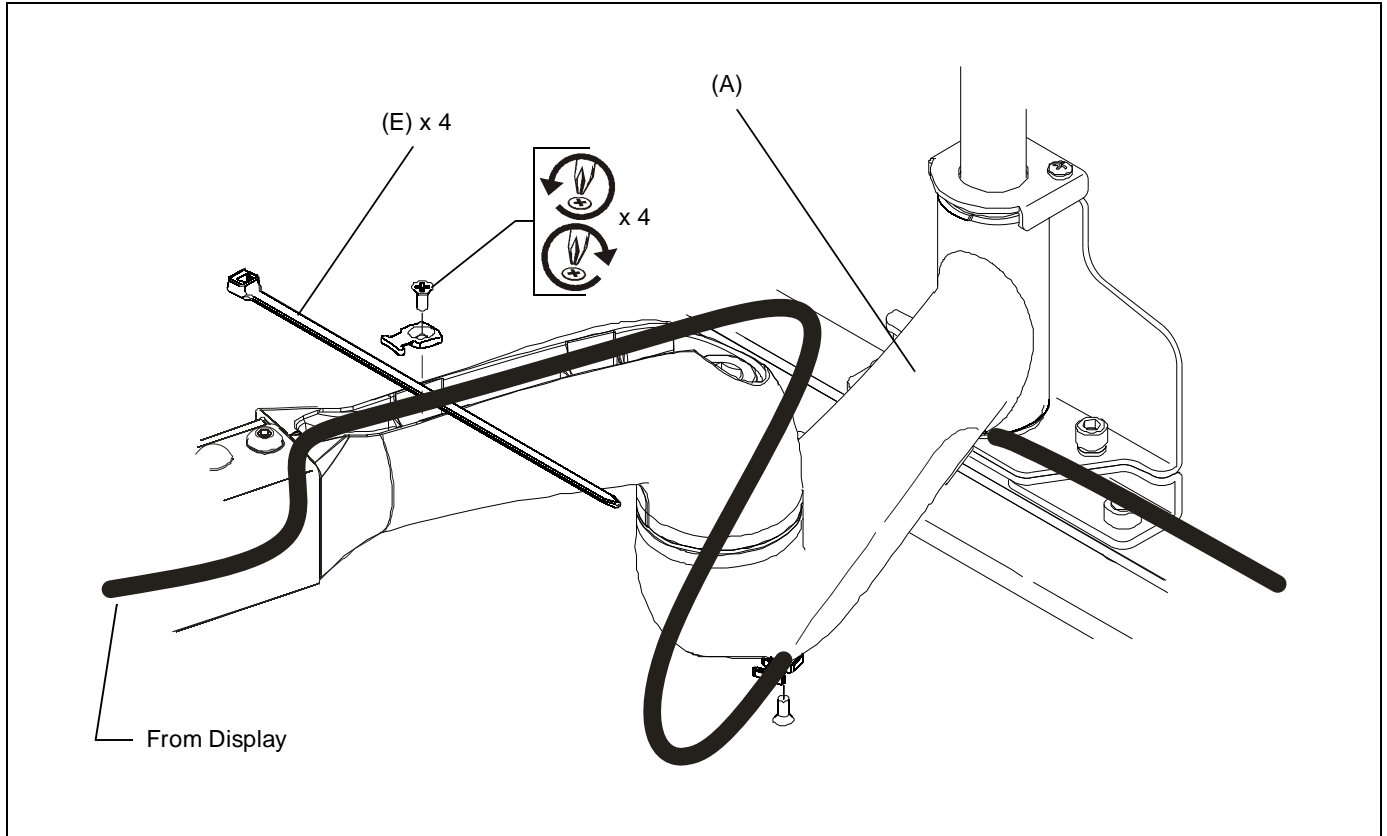


Figure 8

ADJUSTMENTS

Pitch Tension Adjustment

To adjust display pitch tension:

1. With display installed, tighten or loosen two screws, one on each side, using a 5/32" hex wrench. (See Figure 9)
2. Check for desired tension.
3. Repeat Steps 1 and 2 until desired tension is obtained.

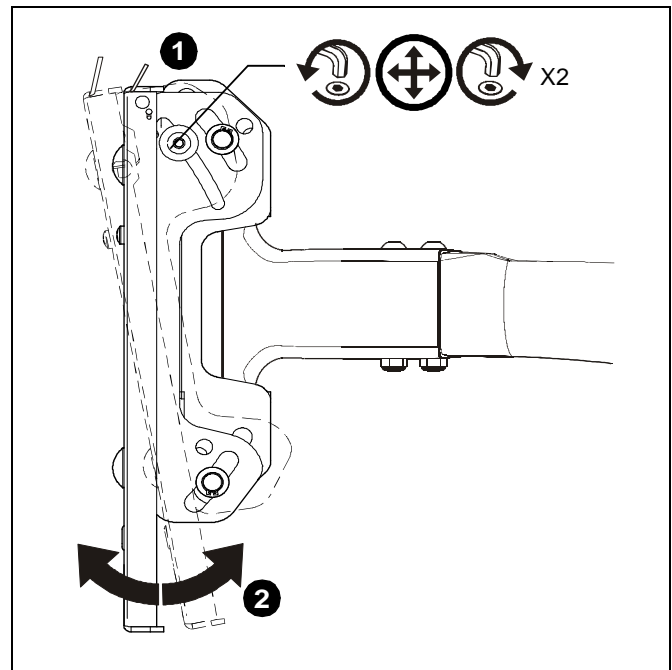


Figure 9

Roll Adjustment

The PWR allows for the horizontal alignment (Roll) of the display to be adjusted up to 2° right or left to level the display after installing.

To adjust Roll:

1. Loosen the roll tension adjustment nut located on the back side of the faceplate assembly. (See Figure 10)
2. Level display.
3. Tighten roll tension adjustment nut. (See Figure 10)

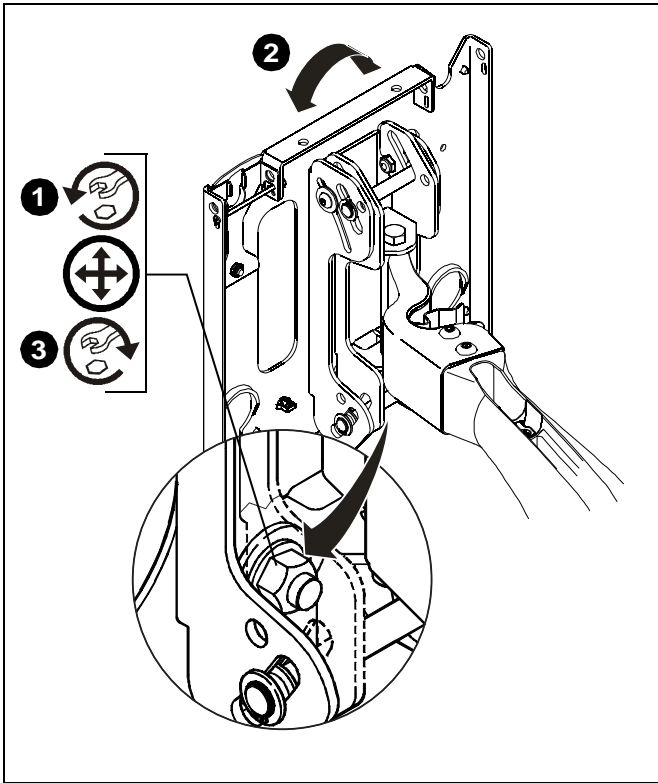


Figure 10

Swing Arm Tension Adjustment

Swing arm tension is pre-set at the factory and is adjusted to accommodate displays with weights near the top of the mounts capacity.

If smaller displays are used it may be difficult to reposition the display after mounting. Swing arm tension can be adjusted to compensate for smaller display by:

The display must be mounted prior to adjusting swing arm tension.

1. Locate the adjustment bar (H) and adjustment wrench (J).
2. Place adjustment bar (H) into socket head cap screw located at swing arm pivot point. (See Figure 11)

NOTE: The display may need to be repositioned in order to gain access to the tension adjustment screw(s).

3. Check swing arm tension. If desired tension is present, tension adjustment is complete. If additional tension adjustment is required, repeat steps 2 thru 4 until desired tension is achieved.

NOTE: If changing from a smaller display to a larger display may be necessary to increase swing arm tension.

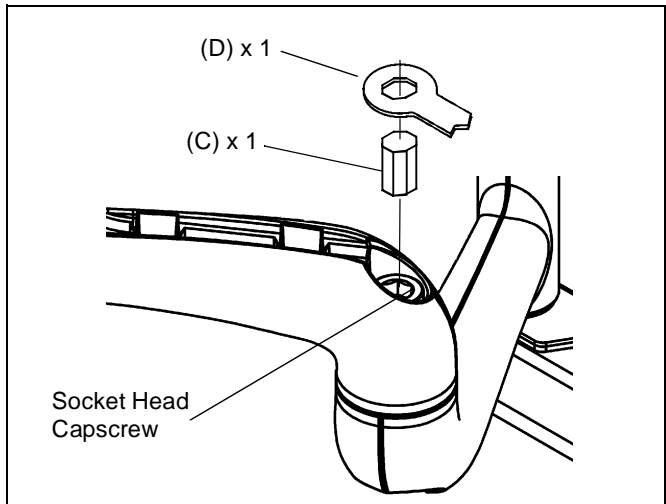


Figure 11

4. Using the adjustment wrench (D), turn adjustment bar (C) clockwise to increase swing arm tension or counterclockwise to reduce swing arm tension. (Small adjustments of 1/8 turn or less are typically all that is required to achieve desired tension.) (See Figure 12) and (See Figure 13)

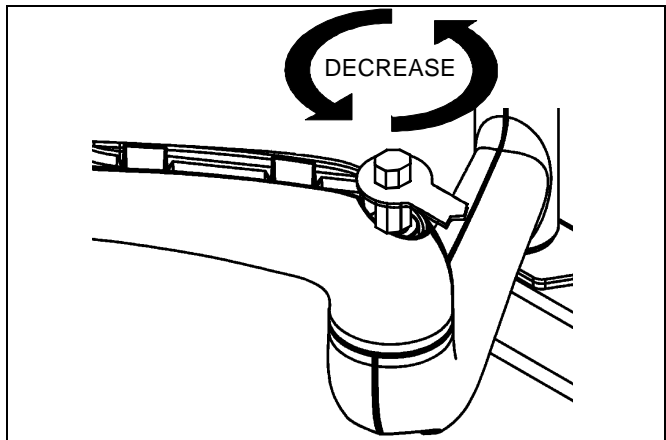


Figure 12

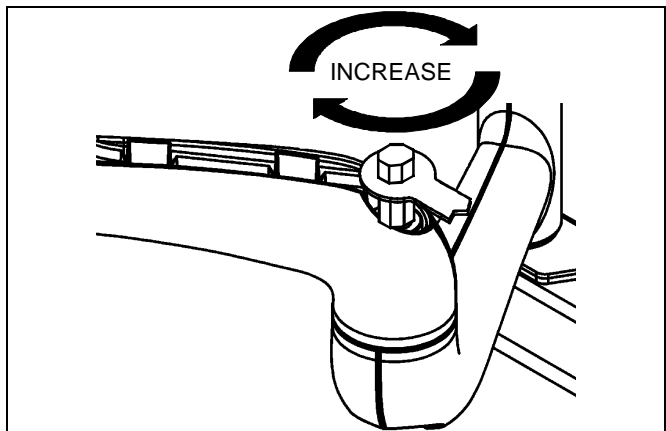


Figure 13



Our Mounts. **Your Vision.**

Chief Manufacturing, a products
division of Milestone AV Technologies

8831-000006 RevF
©2010 Milestone AV Technologies, a
Duchossois Group Company
www.chiefmfg.com
08/10

USA/International**A** 8401 Eagle Creek Parkway, Savage, MN 55378**P** 800.582.6480 / 952.894.6280**F** 877.894.6918 / 952.894.6918**Europe****A** Fellenoord 130 5611 ZB EINDHOVEN, The Netherlands**P** +31 (0)40 2668620**F** +31 (0)40 2668615**Asia Pacific****A** Office No. 1 on 12/F, Shatin Galleria
18-24 Shan Mei Street

Fotan, Shatin, Hong Kong

P 852 2145 4099**F** 852 2145 4477