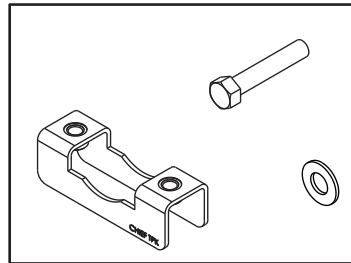
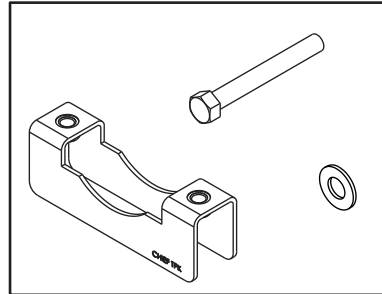


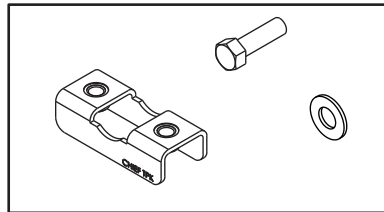
INSTALLATION INSTRUCTIONS



TPK1 / TPK4



TPK2 / TPK5



TPK3

Pole and Truss Clamp Kits

DISCLAIMER

Milestone AV Technologies and its affiliated corporations and subsidiaries (collectively "Milestone"), intend to make this manual accurate and complete. However, Milestone makes no claim that the information contained herein covers all details, conditions or variations, nor does it provide for every possible contingency in connection with the installation or use of this product. The information contained in this document is subject to change without notice or obligation of any kind. Milestone makes no representation of warranty, expressed or implied, regarding the information contained herein. Milestone assumes no responsibility for accuracy, completeness or sufficiency of the information contained in this document.


Chief® is a registered trademark of Milestone AV Technologies. All rights reserved.


DEFINITIONS

MOUNTING SYSTEM: A MOUNTING SYSTEM is the primary Chief product to which an accessory and/or component is attached.


ACCESSORY: AN ACCESSORY is the secondary Chief product which is attached to a primary Chief product, and may have a component attached or setting on it.


COMPONENT: A COMPONENT is an audiovisual item designed to be attached or resting on an accessory or mounting system such as a video camera, CPU, screen, display, projector, etc.


 **WARNING:** A WARNING alerts you to the possibility of serious injury or death if you do not follow the instructions.

 **CAUTION:** A CAUTION alerts you to the possibility of damage or destruction of equipment if you do not follow the corresponding instructions.


IMPORTANT SAFETY INSTRUCTIONS


 **WARNING:** Failure to read, thoroughly understand, and follow all instructions can result in serious personal injury, damage to equipment, or voiding of factory warranty! It is the installer's responsibility to make sure all accessories are properly assembled and installed using the instructions provided.


 **WARNING:** Failure to provide adequate structural strength for this accessory can result in serious personal injury or damage to equipment! It is the installer's responsibility to make sure the structure to which this accessory is attached can support five times the combined weight of all equipment. Reinforce the structure as required before installing the accessory.

 **WARNING:** Exceeding the weight capacity can result in serious personal injury or damage to equipment! It is the

installer's responsibility to make sure the combined weight of all components does not exceed 150 lbs (68.04 kg) or the maximum weight capacity of the mount to which this accessory is being installed. This product is NOT designed for use with articulating wall mounts.



 **WARNING:** Use this accessory only for its intended use as described in these instructions. Do not use attachments not recommended by the manufacturer.

 **WARNING:** Never operate this accessory if it is damaged. Return the accessory to a service center for examination and repair.

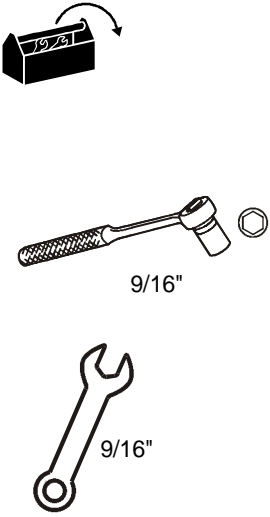

 **WARNING:** Do not use this accessory outdoors.

--SAVE THESE INSTRUCTIONS--

LEGEND

	Tighten Fastener
	Apretar elemento de fijación
	Befestigungsteil festziehen
	Apertar fixador
	Serrare il fissaggio
	Bevestiging vastdraaien
Serrez les fixations	
	Open-Ended Wrench
	Llave de boca
	Gabelschlüssel
	Chave de bocas
	Chiave a punte aperte
	Steeksleutel
Clé à fourche	

TOOLS REQUIRED FOR INSTALLATION / PARTS

 <p>9/16"</p> <p>9/16"</p>		<p>TPK1 / TPK4</p> <p>(A) 2" pipe/truss clamp</p>	<p>(B) 3/8-16 x 2"</p>	<p>(C) 3/8"</p>	
		TPK1 (quantities)	2	4	4
		TPK4 (quantities)	4	8	8
		<p>TPK2 / TPK5</p> <p>(D) 3" pipe/truss clamp</p>	<p>(E) 3/8-16 x 3"</p>	<p>(C) 3/8"</p>	
		TPK2 (quantities)	2	4	4
		TPK5 (quantities)	4	8	8
		<p>TPK3</p> <p>(F) 1" pipe/truss clamp</p>	<p>(G) 3/8-16 x 1-1/4"</p>	<p>(C) 3/8"</p>	
		TPK3 (quantities)	4	8	8

ASSEMBLY AND INSTALLATION

NOTE: Reference the Parts Drawing to confirm the correct hex head bolt is used with the appropriate clamp.

1. Place clamp(s) (A, D, or F) against truss or pole. (See Figure 1)
2. Using two (or four) 3/8-16 hex head bolts [(B) with clamp (A); (E) with clamp (D); (G) with clamp (F)] and 3/8" washers (C), secure clamp(s) to mounting system, following instructions included with the mounting system.
3. Repeat Steps 1-2 for the remaining clamp(s).
4. Complete installation following the installation instructions included with the mount.

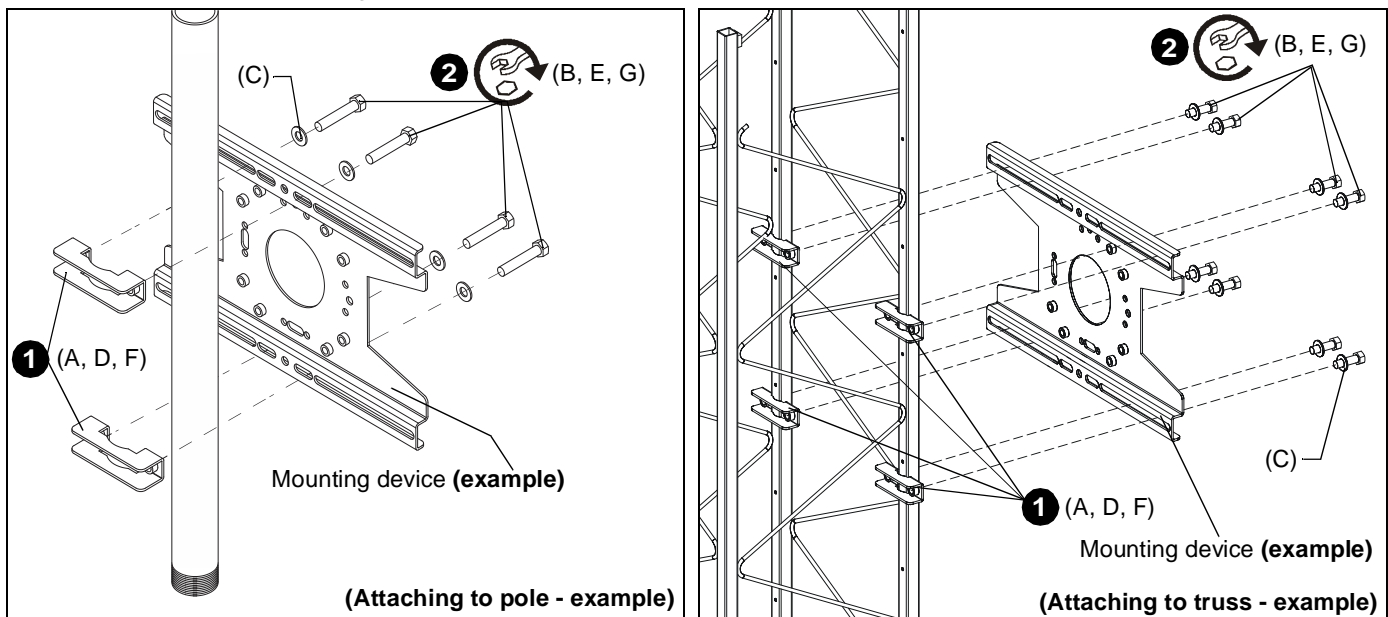


Figure 1



Our Mounts. **Your Vision.**

Chief, a products division of
Milestone AV Technologies

8800-002895 Rev00
©2016 Milestone AV Technologies
www.milestone.com
12/16

USA/International A 6436 City West Parkway, Eden Prairie, MN 55344
P 800.582.6480 / 952.225.6000
F 877.894.6918 / 952.894.6918

Europe A Franklinstraat 14, 6003 DK Weert, Netherlands
P +31 (0) 495 580 852
F +31 (0) 495 580 845

Asia Pacific A Office No. 918 on 9/F, Shatin Galleria
18-24 Shan Mei Street
Fotan, Shatin, Hong Kong
P 852 2145 4099
F 852 2145 4477

