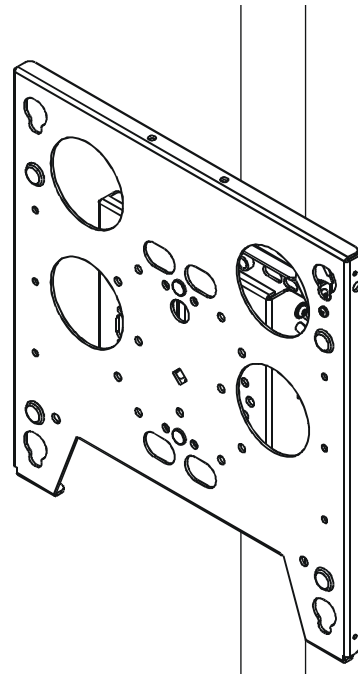

INSTALLATION INSTRUCTIONS

POLE/PITCH- ADJUSTABLE MOUNT

Model: TPM-2000 SERIES

Specifications:

- Weight capacity of 150 lbs. (68 kg).
- Provides tilt range from 5° up to 15° down.
- Accommodates vertical pole (1" - 3" O.D.) or horizontal pole installation (1" - 2" O.D.).



BEFORE YOU BEGIN



WARNING: It is the installer's responsibility to make sure all components are properly assembled and installed using the instructions provided. Failure to read, thoroughly understand, and follow all instructions can result in serious personal injury, damage to equipment, or voiding of factory warranty.

®Chief is a registered trademark of Milestone AV Technologies. All rights reserved.



Our Mounts. Your Vision.

Chief Manufacturing, a products division of
Milestone AV Technologies

8401 Eagle Creek Parkway, Savage, MN 55378

• P: 800.582.6480 / 952.894.6280 • F: 777.894.6918 / 952.894.6918

8807-000009 RevD

©2009 Milestone AV Technologies,
a Duchossois Group Company

www.chiefmfg.com

04/09

! IMPORTANT WARNINGS AND CAUTIONS!

WARNING: A WARNING alerts you to the possibility of serious injury or death if you do not follow the instructions.

CAUTION: A CAUTION alerts you to the possibility of damage or destruction of equipment if you do not follow the corresponding instructions.



WARNING: It is the installer's responsibility to make sure the structure to which this unit is attached can support five times the combined weight of all equipment. Reinforce the structure as required before installing the unit. Failure to provide adequate structural strength for this unit can result in serious personal injury or damage to equipment!



WARNING: It is the installer's responsibility to make sure the combined weight of the display, mount, accessories, and any other attached equipment must not exceed 150 lbs (68 kg), the maximum support weight of this unit. Exceeding the maximum support weight can result in serious personal injury or damage to equipment!

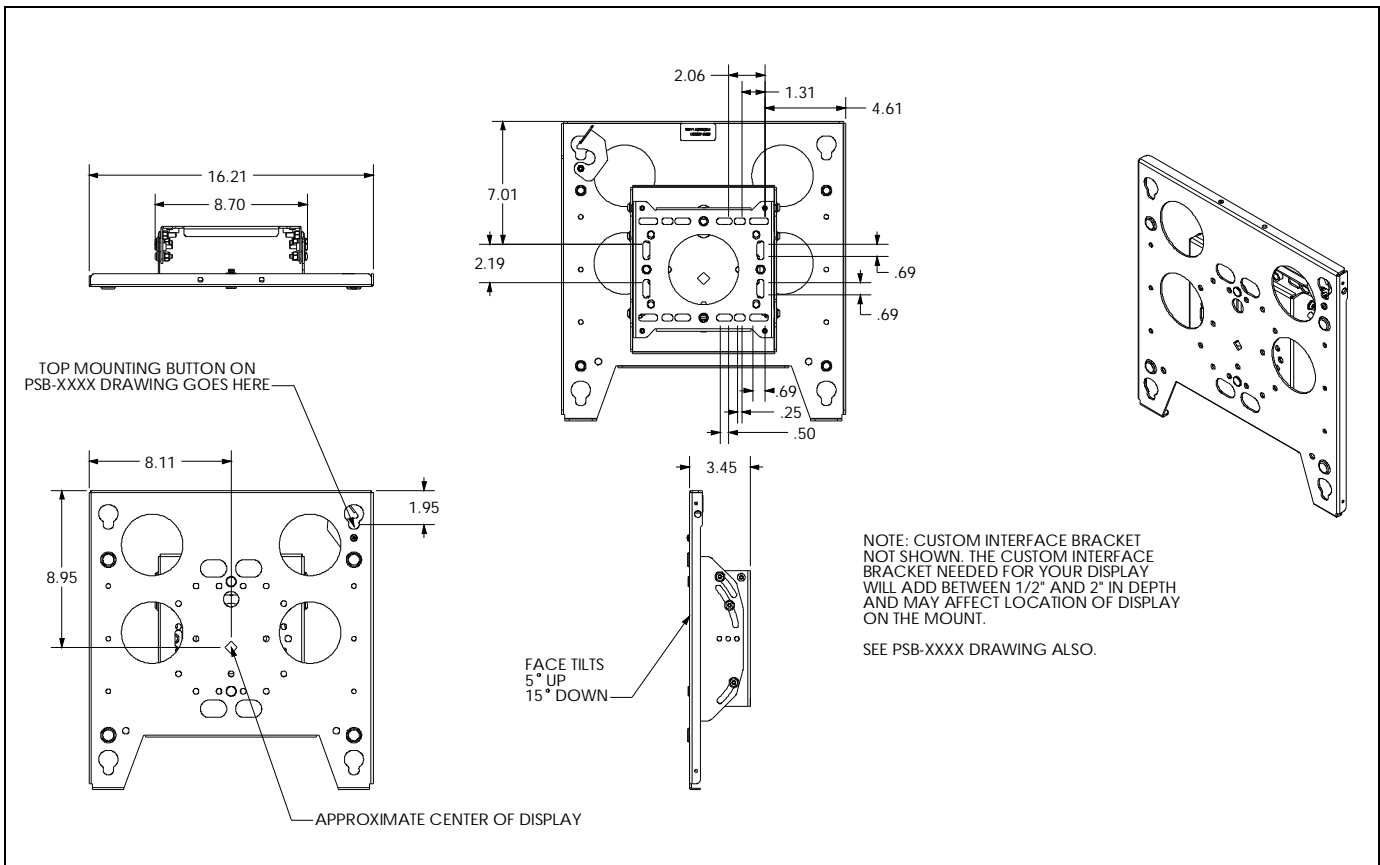


WARNING: Make sure the latch securing the display is fully closed at all times except when removing or installing the display. The latch must be fully closed when installing or removing cables from the display.



WARNING: Watch for pinch points. Do not put your fingers between movable parts.

DIMENSIONS



TOOLS REQUIRED FOR INSTALLATION

- 7/16" Wrench (optional; see Pitch (Tilt) Adjustment for detail)
- 5/32" Hex Key (provided)

NOTE: Other tools may be required depending on your method of installation.

PARTS

After unpacking carton, inspect and verify contents (see Figure 1).

Table 1: Parts

Item	Description	Qty
10	MOUNT, TPM-2000	1
20	KEY, Hex, 5/32"	1
---	POLE KIT (TPK-1 or TPK-2) (required, not supplied)	1

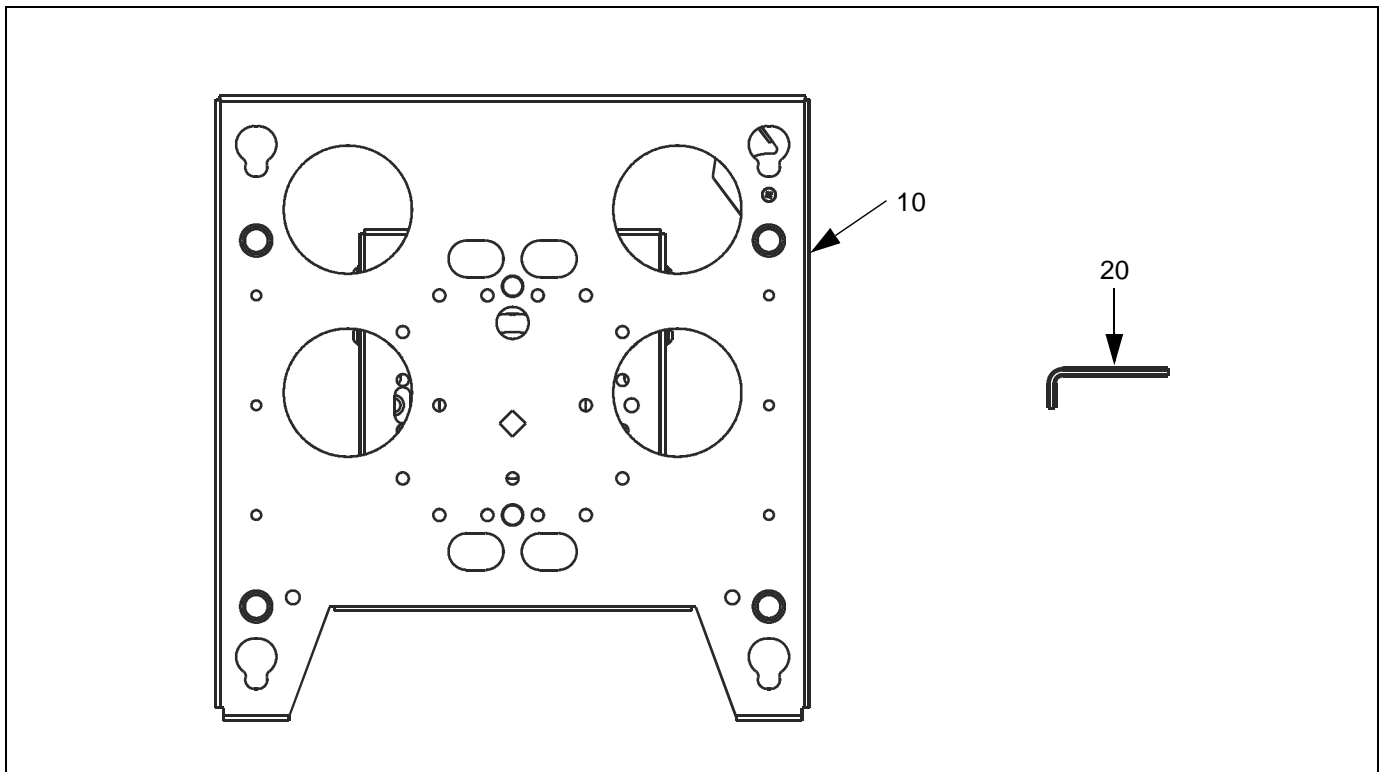


Figure 1: Parts

INSTALLATION

MOUNT INSTALLATION

1. Install mount to pole:

NOTE: See instructions that come with Chief Pole Kit for installation details.

- Vertical Pole: Use optional Chief Pole Kit TPK-1 (for 1"-2" O.D. poles) or TPK-2 (for 2"-3" O.D. poles) (see Figure 2). Ensure mount is properly oriented (see Figure 4).
- Horizontal Pole: Use optional Chief Pole Kit TPK-1 (for 1"-2" O.D. poles)(see Figure 3). Ensure mount is properly oriented (see Figure 5).

NOTE: Horizontal pole installation is not compatible with Pole Kit TPK-2.

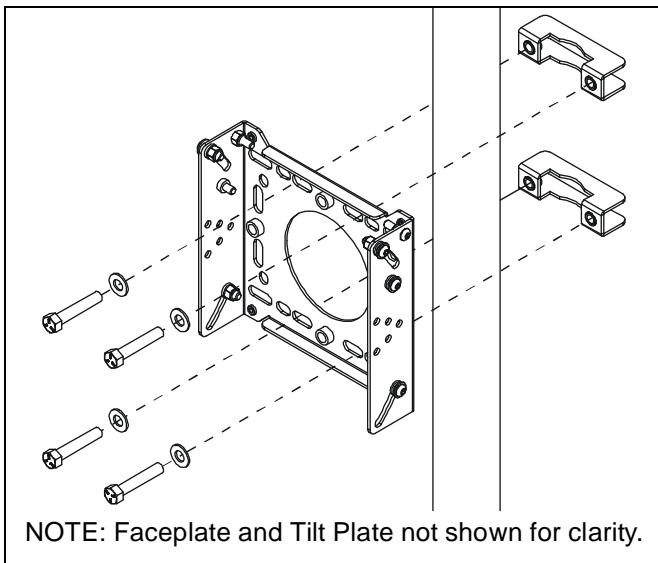


Figure 2: Vertical Pole Installation (Typical)

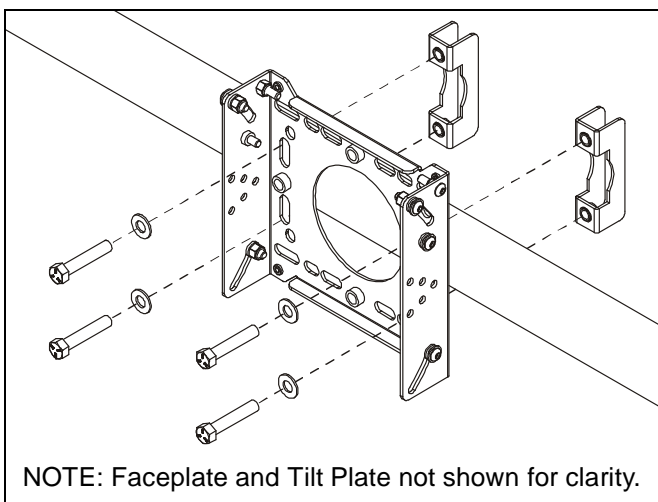


Figure 3: Horizontal Pole Installation (Typical)

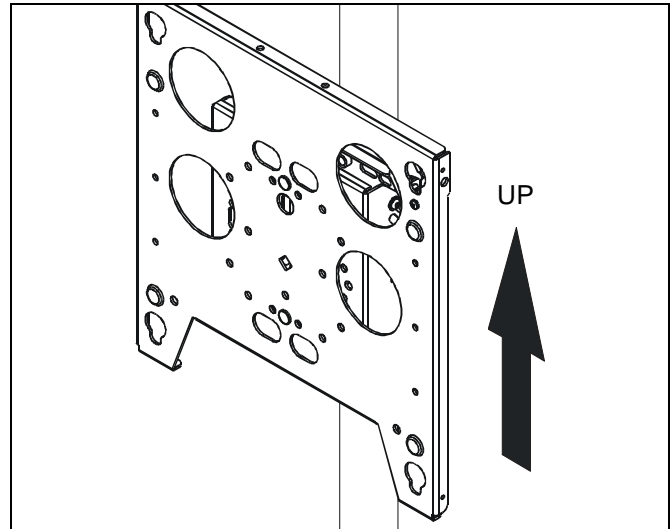


Figure 4: Vertical Mount Orientation

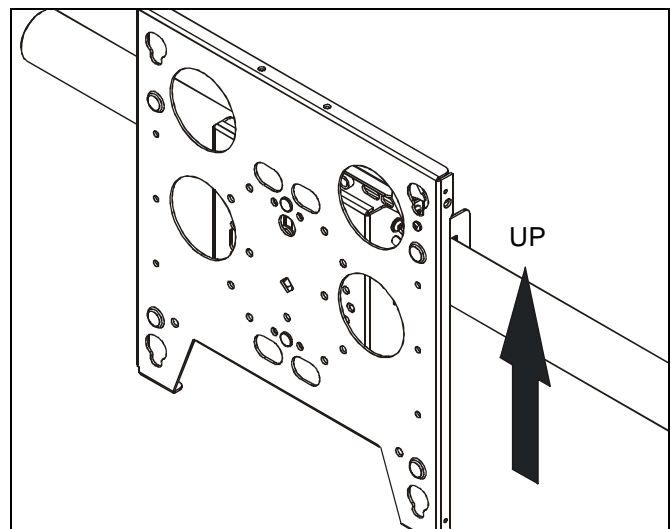


Figure 5: Horizontal Mount Orientation

DISPLAY INSTALLATION

NOTE: Interface bracket may be required.

If required, interface bracket must be installed prior to display installation.



WARNING: Display may be heavy! Ensure display can be safely lifted and maneuvered as required to attach to mount. Failure to take adequate precautions can result in serious personal injury or damage to equipment!

1. Rotate Q-Latch to the OPEN position (see Figure 6).

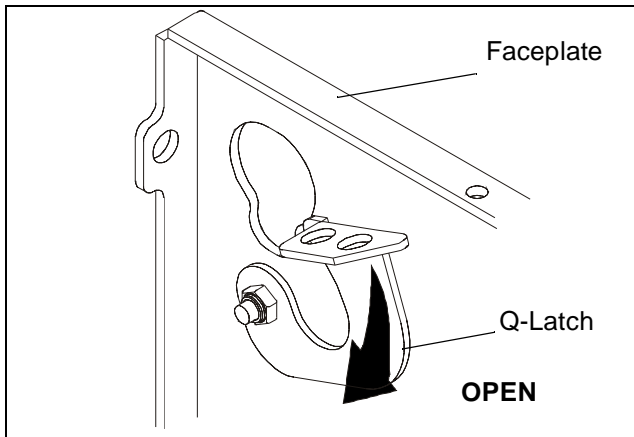


Figure 6: Open Q-Latch

2. Lift and maneuver display such that all mounting buttons fit into button openings on faceplate. Lower display firmly into place. Ensure each button has fully seated in its button opening (see Figure 7).

NOTE: If Q-Latch does not fully engage, ensure the mounting buttons are fully seated in the button openings.

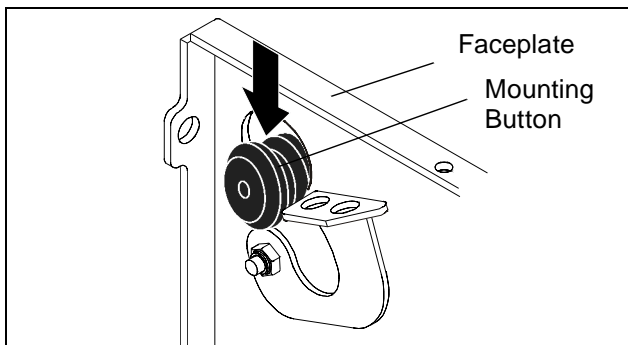
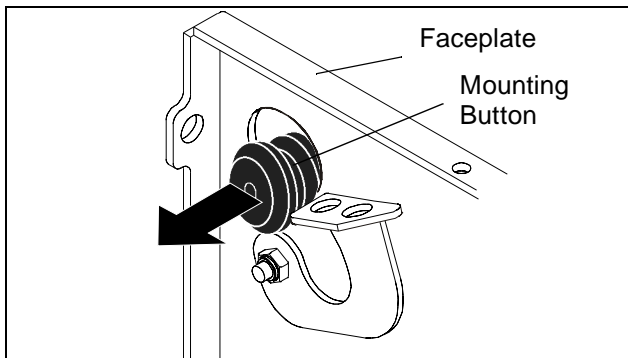


Figure 7: Align Display

3. Rotate Q-Latch to the CLOSED position (see Figure 8).

NOTE: A hole is provided in the Q-Latch and faceplate to accommodate the insertion of a padlock or similar

locking device.

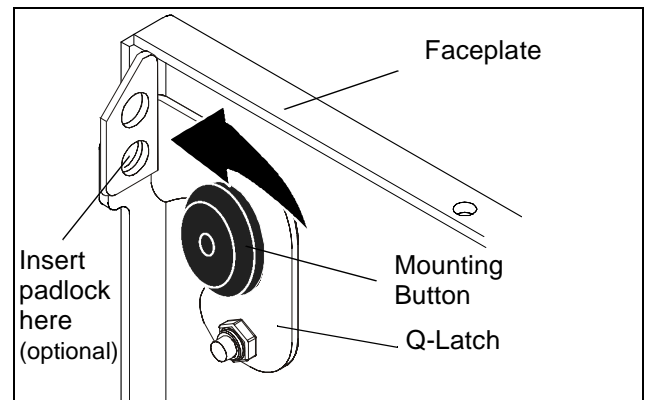


Figure 8: Close Q-Latch

4. Attach all cables to display.

ADJUSTMENTS

Pitch (Tilt) Adjustment

1. Loosen right and left pitch adjustment screws (see Figure 9).
2. Position display to desired angle.
3. Tighten pitch adjustment screws (see Figure 9).
 - The display may be locked at any position between 5° tilt up and 15° tilt down by tightening the pitch adjustment screws.

However, if additional locking security is desired, use key (20) and a 7/16" wrench to remove the locking screw(s) from the stored location(s) and install into the 0°, 5°, or 10° pitch lock hole(s).

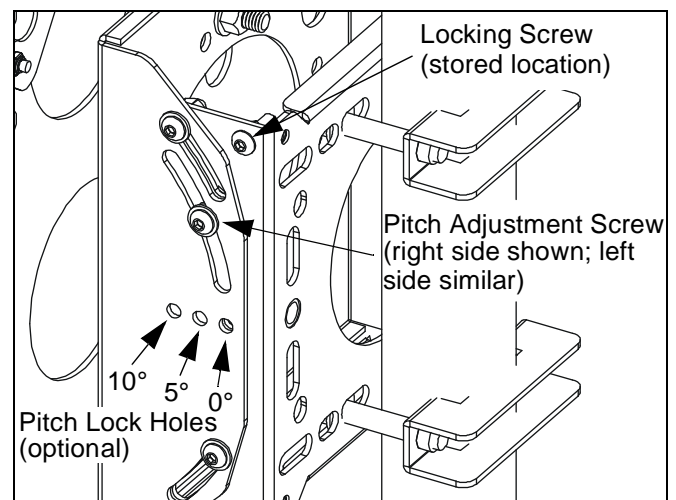


Figure 9: Pitch Adjustment

Roll Adjustment

The TPM-2000 Series mount provides for limited roll adjustment to level the display after installation (see Figure 10).

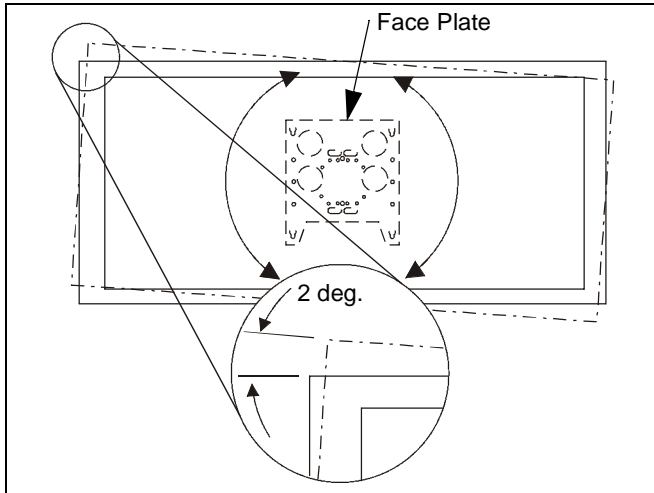


Figure 10: Roll

To adjust display roll:

1. Loosen upper and lower roll adjustment nuts (see Figure 11).
2. Level Display.
3. Tighten roll adjustment nuts (see Figure 11).

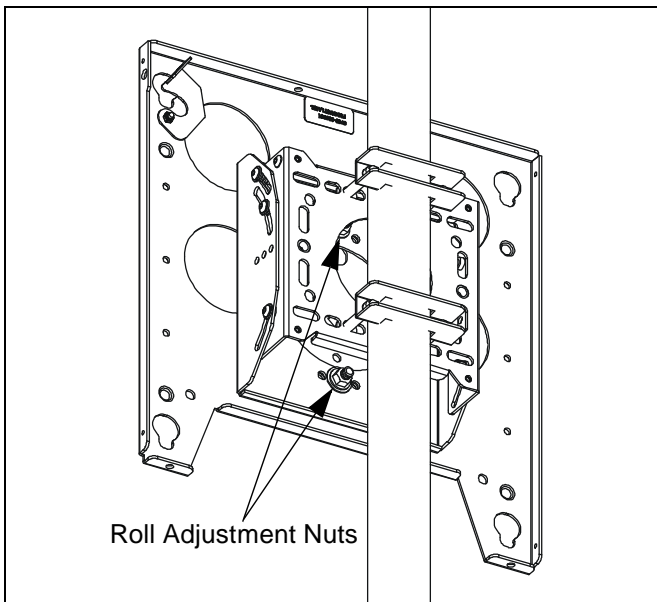


Figure 11: Roll Adjustment

