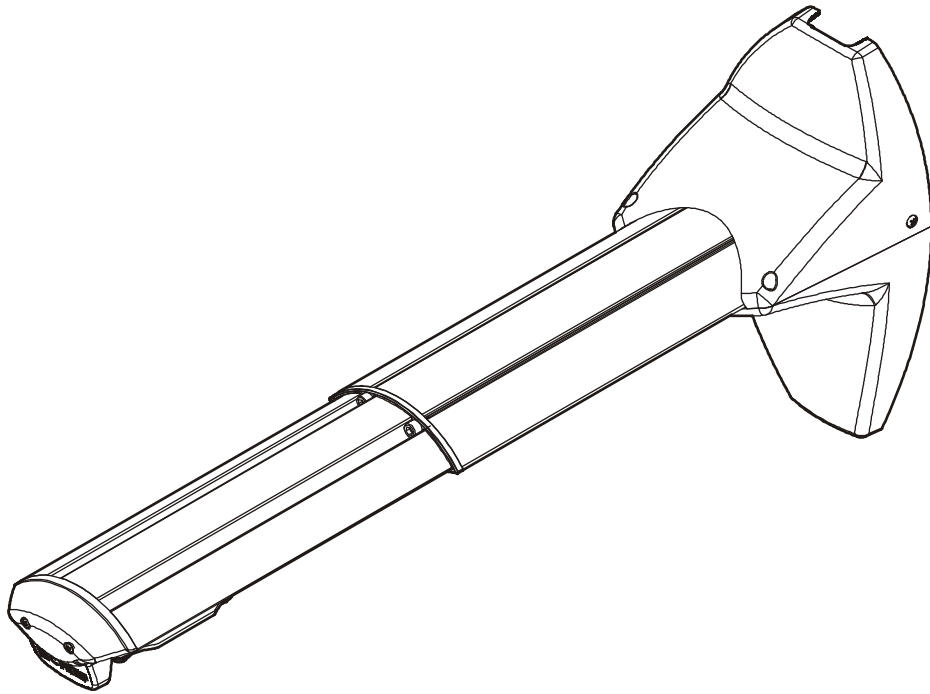

INSTALLATION INSTRUCTIONS



Single Stud Wall Mount Accessory

DISCLAIMER

Milestone AV Technologies and its affiliated corporations and subsidiaries (collectively "Milestone"), intend to make this manual accurate and complete. However, Milestone makes no claim that the information contained herein covers all details, conditions or variations, nor does it provide for every possible contingency in connection with the installation or use of this product. The information contained in this document is subject to change without notice or obligation of any kind. Milestone makes no representation of warranty, expressed or implied, regarding the information contained herein. Milestone assumes no responsibility for accuracy, completeness or sufficiency of the information contained in this document.

Chief® is a registered trademark of Milestone AV Technologies. All rights reserved.

! IMPORTANT WARNINGS AND CAUTIONS!

! WARNING: A WARNING alerts you to the possibility of serious injury or death if you do not follow the instructions.

! CAUTION: A CAUTION alerts you to the possibility of damage or destruction of equipment if you do not follow the corresponding instructions.

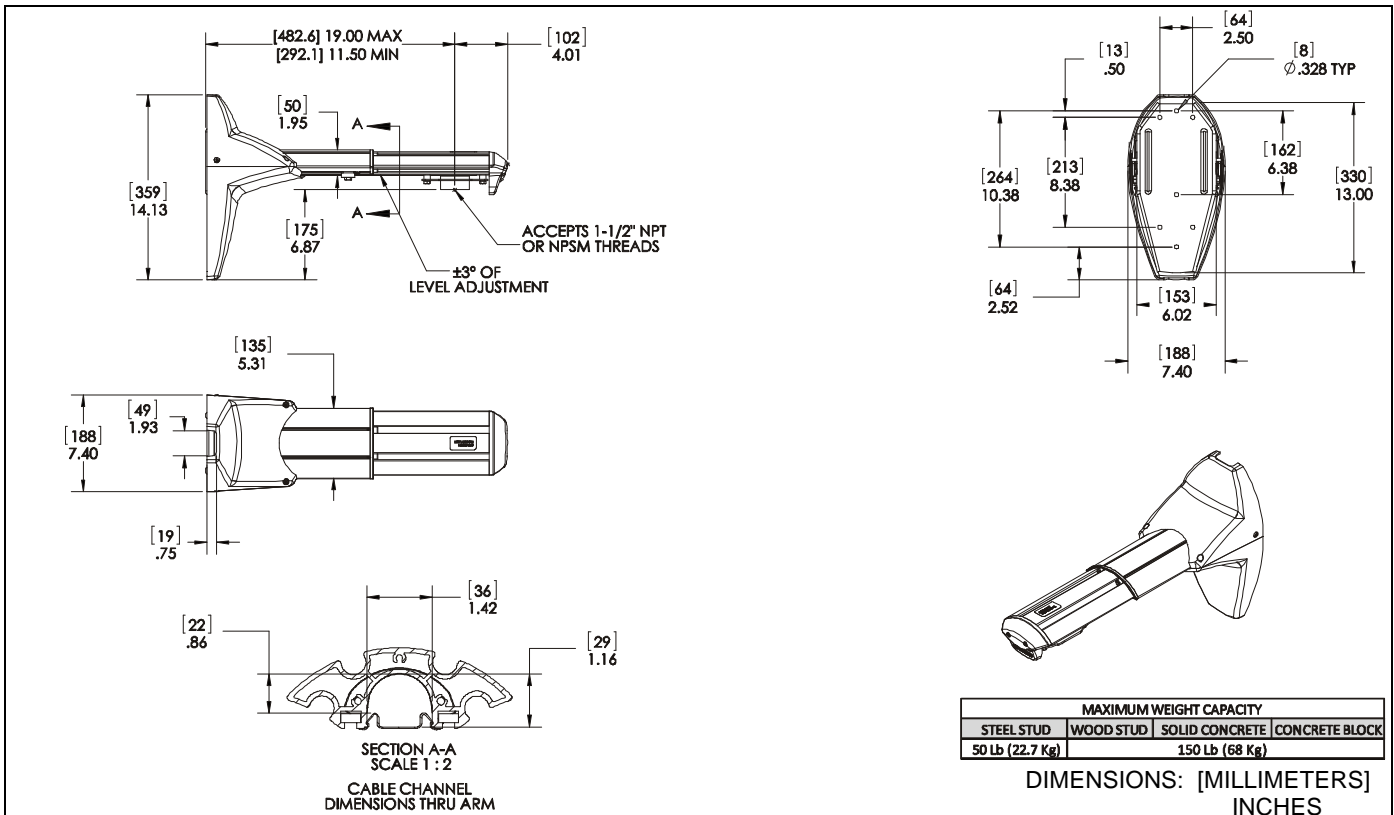
! WARNING: Failure to read, thoroughly understand, and follow all instructions can result in serious personal injury, damage to equipment, or voiding of factory warranty! It is the installer's responsibility to make sure all components are properly assembled and installed using the instructions provided.

! WARNING: Failure to provide adequate structural strength for this component can result in serious personal injury or damage to equipment! It is the installer's responsibility to make sure the structure to which this component is attached can support five times the combined weight of all equipment. Reinforce the structure as required before installing the component. The wall to which the mount is being attached may have a maximum drywall thickness of 5/8" [1.6cm] (unless noted below). Do not install drywall anchors into the seam between drywall pieces.

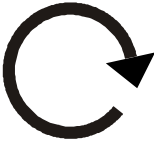




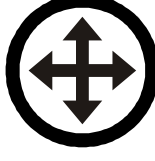






! WARNING: Exceeding the weight capacity can result in serious personal injury or damage to equipment! It is the installer's responsibility to make sure the combined weight of all components attached to the projector wall mount accessory up to (and including) the attached component(s) does not exceed:

- Installed in steel stud: 50 lbs (22.7 kg)
- Installed in 2" x 4" wood stud: 150 lbs (68.0 kg)
- Installed in concrete/concrete block (with NO drywall attached to wall): 150 lbs (68.0 kg)

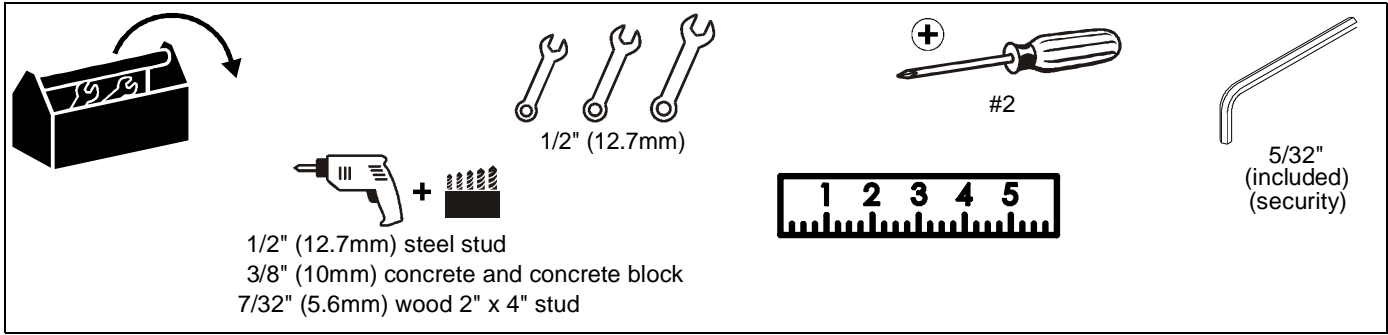
DIMENSIONS



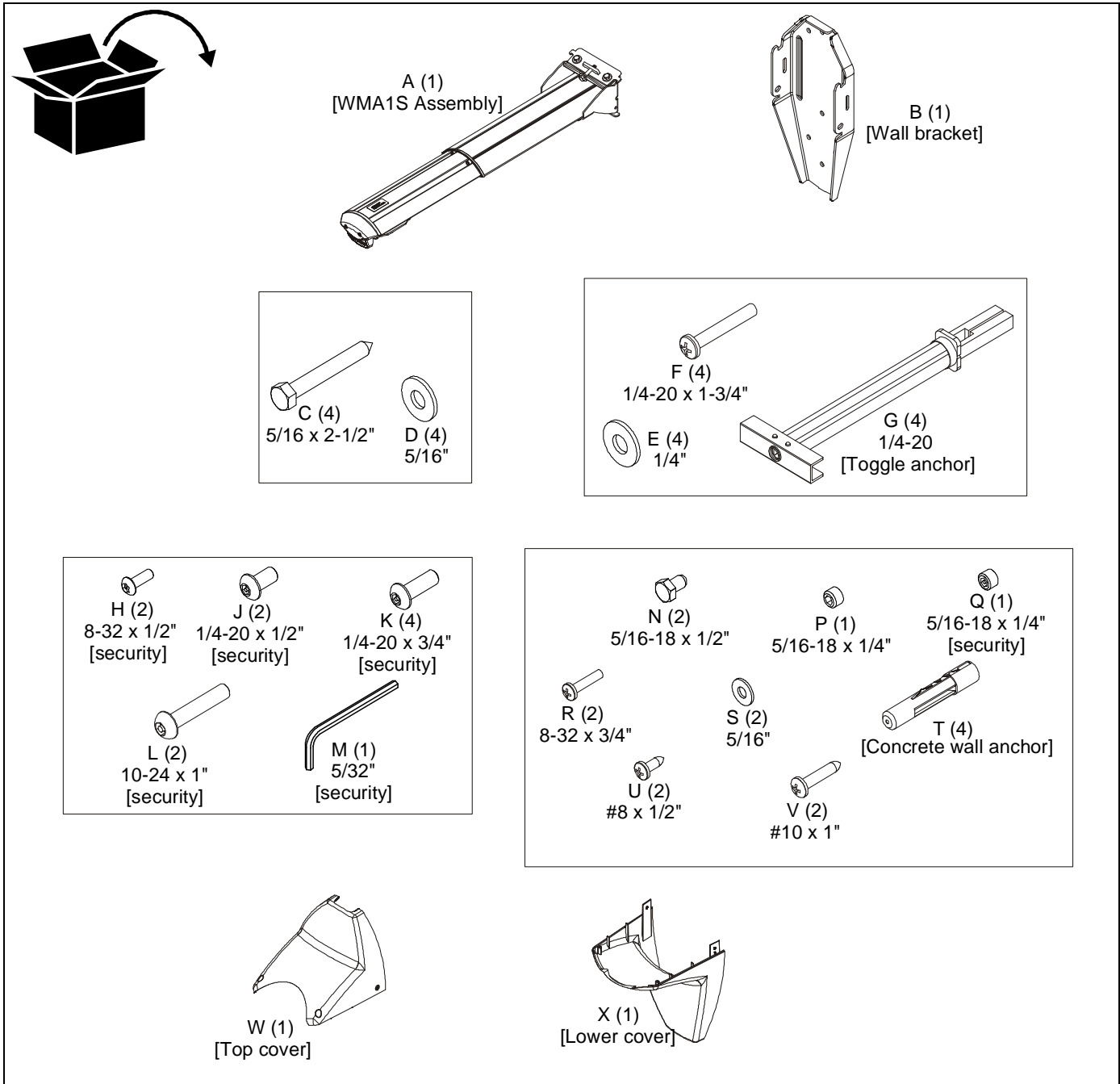
LEGEND

	<p>Tighten Fastener</p> <p>Apretar elemento de fijación</p> <p>Befestigungsteil festziehen</p> <p>Apertar fixador</p> <p>Serrare il fissaggio</p> <p>Bevestiging vastdraaien</p> <p>Serrez les fixations</p>		<p>Pencil Mark</p> <p>Marcar con lápiz</p> <p>Stiftmarkierung</p> <p>Marcar com lápis</p> <p>Segno a matita</p> <p>Potloodmerkteken</p> <p>Marquage au crayon</p>
	<p>Loosen Fastener</p> <p>Aflojar elemento de fijación</p> <p>Befestigungsteil lösen</p> <p>Desapertar fixador</p> <p>Allentare il fissaggio</p> <p>Bevestiging losdraaien</p> <p>Desserrez les fixations</p>		<p>Drill Hole</p> <p>Perforar</p> <p>Bohrloch</p> <p>Fazer furo</p> <p>Praticare un foro</p> <p>Gat boren</p> <p>Percez un trou</p>
	<p>Phillips Screwdriver</p> <p>Destornillador Phillips</p> <p>Kreuzschlitzschraubendreher</p> <p>Chave de fendas Phillips</p> <p>Cacciavite a stella</p> <p>Kruiskopschroevendraaier</p> <p>Tournevis à pointe cruciforme</p>		<p>Adjust</p> <p>Ajustar</p> <p>Einstellen</p> <p>Ajustar</p> <p>Regolare</p> <p>Afstellen</p> <p>Ajuster</p>
	<p>Open-Ended Wrench</p> <p>Llave de boca</p> <p>Gabelschlüssel</p> <p>Chave de bocas</p> <p>Chiave a punte aperte</p> <p>Steeksleutel</p> <p>Clé à fourche</p>		<p>Remove</p> <p>Quitar</p> <p>Entfernen</p> <p>Remover</p> <p>Rimuovere</p> <p>Verwijderen</p> <p>Retirez</p>
	<p>By Hand</p> <p>A mano</p> <p>Von Hand</p> <p>Com a mão</p> <p>A mano</p> <p>Met de hand</p> <p>À la main</p>		<p>Optional</p> <p>Opcional</p> <p>Optional</p> <p>Opcional</p> <p>Opzionale</p> <p>Optie</p> <p>En option</p>
	<p>Hex-Head Wrench</p> <p>Llave de cabeza hexagonal</p> <p>Sechskantschlüssel</p> <p>Chave de cabeça sextavada</p> <p>Chiave esagonale</p> <p>Zeskantsleutel</p> <p>Clé à tête hexagonale</p>		<p>Security Wrench</p> <p>Llave de seguridad</p> <p>Sicherheitsschlüssel</p> <p>Chave de segurança</p> <p>Chiave di sicurezza</p> <p>Veiligheidssleutel</p> <p>Clé de sécurité</p>

TOOLS REQUIRED FOR INSTALLATION



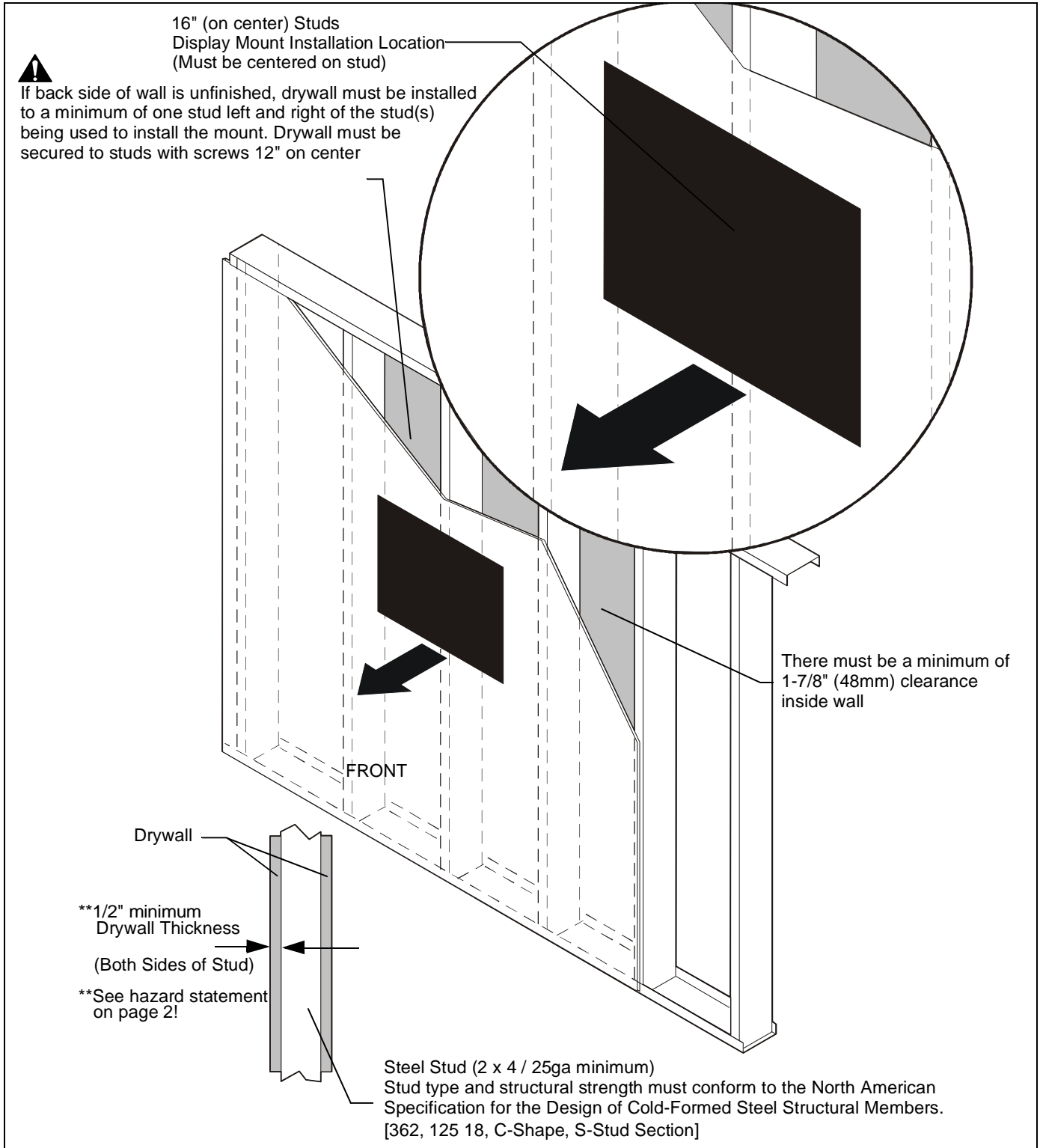
PARTS



Site Requirements



WARNING: IMPROPER INSTALLATION CAN LEAD TO EQUIPMENT FALLING CAUSING SERIOUS PERSONAL INJURY OR DAMAGE TO EQUIPMENT! The figure below identifies the minimum requirements for installation of display mounts onto a steel stud structure. If the structure or its components do not meet these requirements contact the mount manufacturer for specific instructions before attempting installation. It should also be noted that no other equipment should be mounted to the same stud.



ASSEMBLY AND INSTALLATION

The WMA1S single stud wall mount accessory can be mounted to concrete, concrete block, 2" x 4" wood studs or steel studs.

Installing Mounting Bracket



WARNING: ELECTRICAL SHOCK HAZARD! CUTTING OR DRILLING INTO ELECTRICAL CORDS OR CABLES CAN CAUSE DEATH OR SERIOUS PERSONAL INJURY! ALWAYS make certain area behind mounting surface is free of electrical wires and cables before cutting, drilling, or installing fasteners.



WARNING: EXPLOSION AND FIRE HAZARD! CUTTING OR DRILLING INTO GAS PLUMBING CAN CAUSE DEATH OR SERIOUS PERSONAL INJURY! ALWAYS make certain area behind mounting surface is free of gas, water, waste, or any other plumbing before cutting, drilling, or installing fasteners.

Concrete or Concrete Block

IMPORTANT ! : If installing to a concrete or concrete block wall, drywall may NOT be attached to the wall.

1. Determine mounting location on wall.
2. Using wall bracket (B) as a template, mark four holes at the outer bracket holes. (See Figure 1)
3. Drill four 3/8" x 3-3/8" deep holes at marked locations in wall. (See Figure 1)

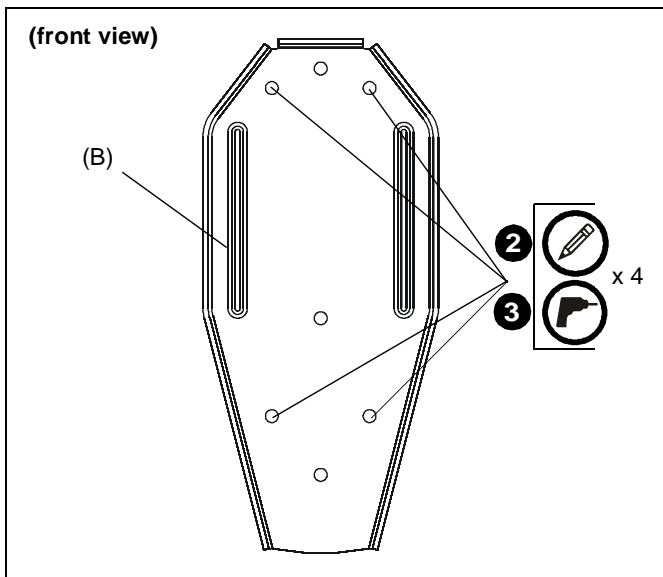


Figure 1

4. Install four concrete anchors (T) into drilled holes. (See Figure 2)
5. Install four 5/16 x 2-1/2" hex head lag screws (C) through four 5/16" washers (D), outer holes of wall bracket (B) and into concrete anchors (T). (See Figure 2)

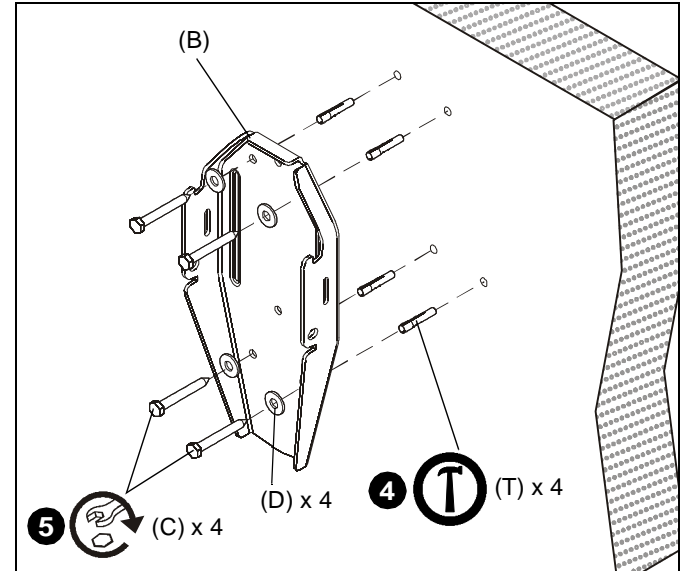


Figure 2

Wood Studs

1. Determine mounting location on wall. Use a stud finder to locate studs.
2. Line up inner three holes on wall bracket (B) with center of stud at desired mounting location. (See Figure 3)
3. Using wall bracket (B) as a template, mark three holes at inner three holes in bracket. (See Figure 3)
4. Drill three 7/32" x 2-1/2" deep holes at locations marked in Step 3. (See Figure 3)

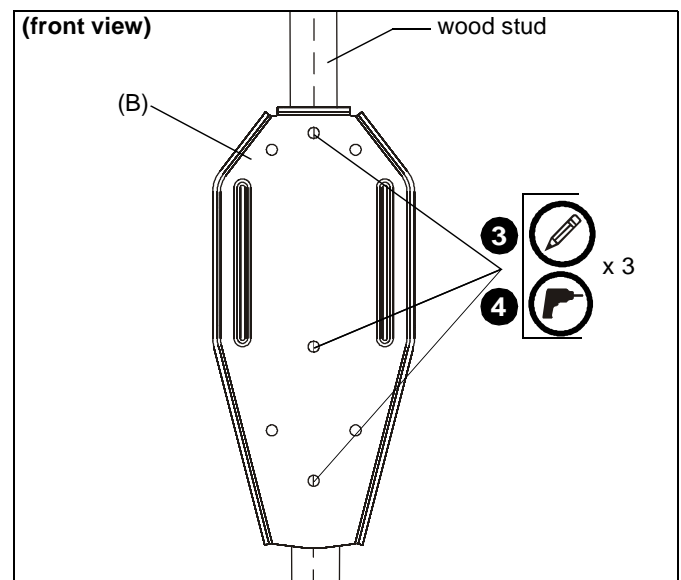


Figure 3

5. Install three 5/16 x 2-1/2" hex head lag screws (C) through three 5/16" washers (D), inner holes of wall bracket (B) and into drilled holes. (See Figure 4)

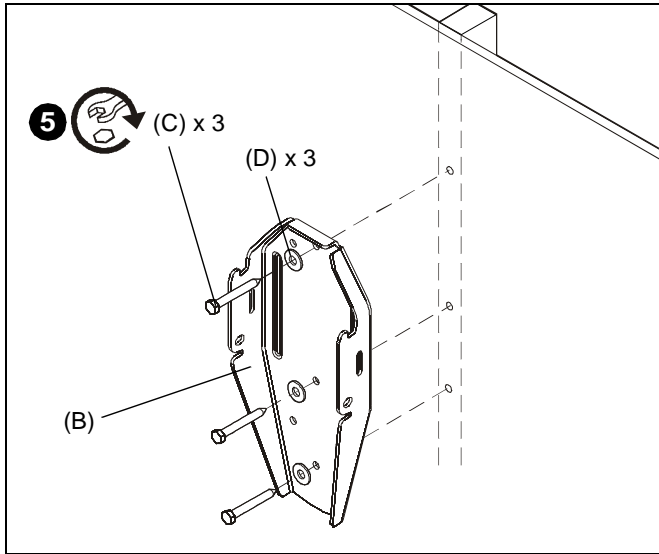


Figure 4

Steel Studs

IMPORTANT ! : See **Site Requirements** section before proceeding with Steel Studs installation to ensure installation site meets requirements! The drywall must have a minimum thickness of 1/2"!

1. Determine mounting location on wall. Use stud finder to locate steel studs.
2. Line up inner three holes on wall bracket (B) with center of stud at desired mounting location. (See Figure 5)
3. Using wall bracket (B) as a template, mark three holes at inner three holes in bracket. (See Figure 5)
4. Drill three 1/2" holes at marked locations in wall. (See Figure 5)

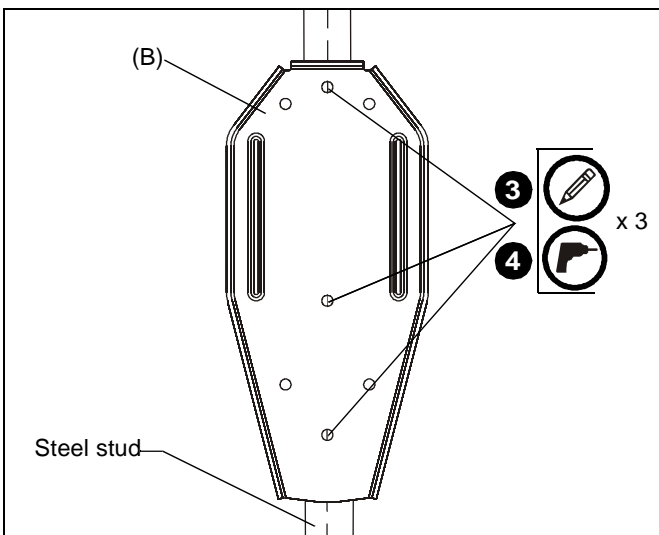


Figure 5

5. Hold metal channel on anchor (G) flat alongside plastic straps and slide channel through hole. (See Figure 6)

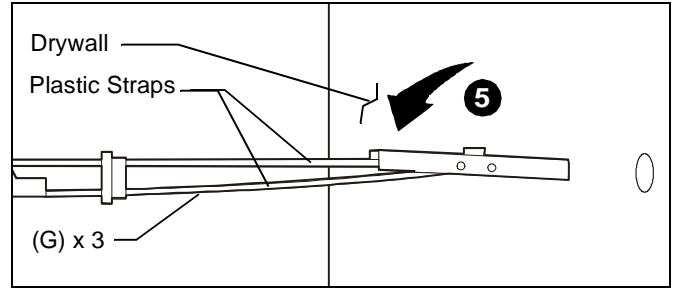


Figure 6

6. Holding plastic straps on anchor (G), pull anchor away from wall until channel rests flush behind wall making sure anchor channel is positioned vertically on stud. (See Figure 7)
7. Slide plastic cap on anchor (G) towards wall until flange of cap is flush with wall. (See Figure 7)

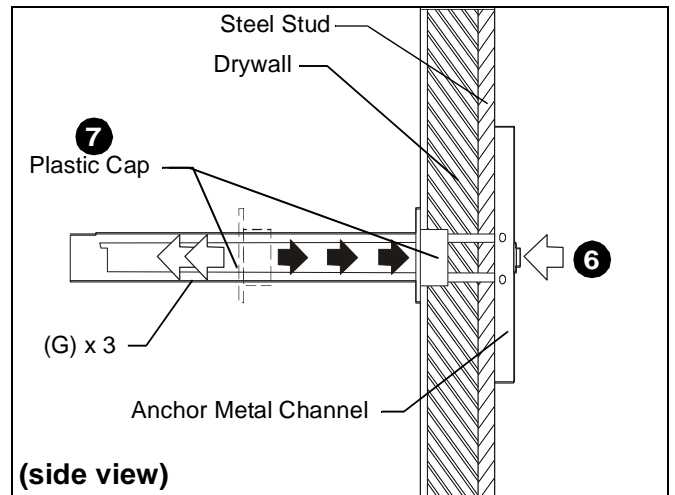


Figure 7

8. Snap off plastic straps on anchor at wall by pushing side to side, snapping off straps level with flange of plastic cap. (See Figure 8)
9. Repeat Steps 5 through 8 for each mounting hole.

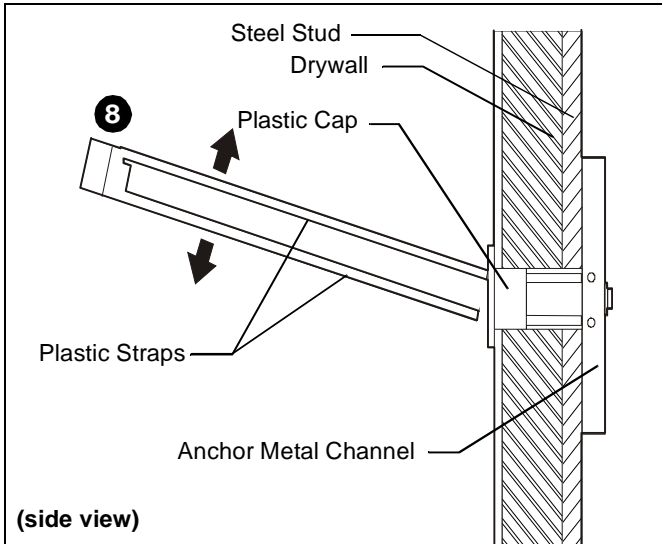


Figure 8

10. Place wall bracket (B) over anchors and align mounting holes in wall bracket with holes in anchors. (See Figure 9)
11. Insert 1/4-20 x 1-3/4" Phillips pan head screws (F) through 1/4" washer (E), corresponding hole on wall bracket and into anchor (G) and tighten until flush against bracket. DO NOT overtighten! (See Figure 9)
12. Repeat Step 11 for remaining 2 mounting holes.

WARNING: IMPROPER INSTALLATION CAN LEAD TO EQUIPMENT FALLING CAUSING SERIOUS PERSONAL INJURY OR DAMAGE TO EQUIPMENT! Overtightening of mounting hardware can damage the steel studs. DO NOT overtighten mounting hardware!

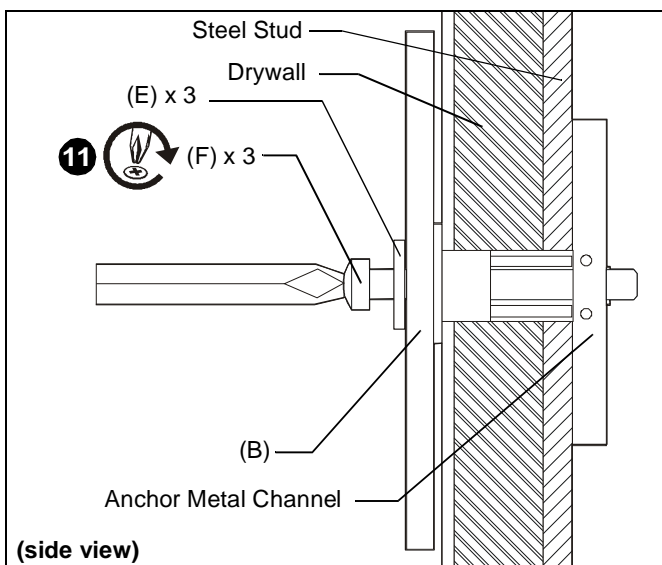


Figure 9

Installation to Wall Bracket

1. Lift WMA1S assembly (A) up to wall bracket (B) and hook upper plate over upper notches on bracket. (See Figure 10)
2. Slide lower plate into lower notches on bracket. (See Figure 10)

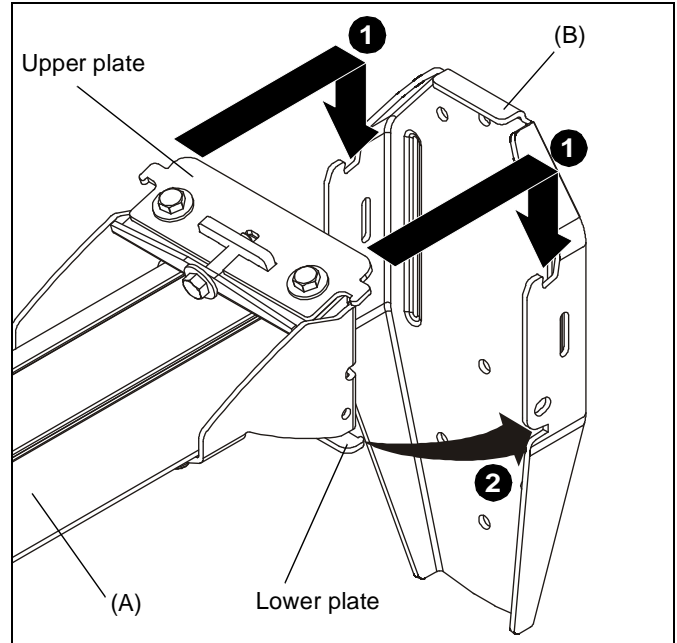


Figure 10

3. Fasten WMA1S assembly (A) to wall bracket (B) using two 5/16-18 x 1/2" hex head cap screws (N) through two 5/16" washers (S), the wall bracket and WMA1S. (See Figure 11)

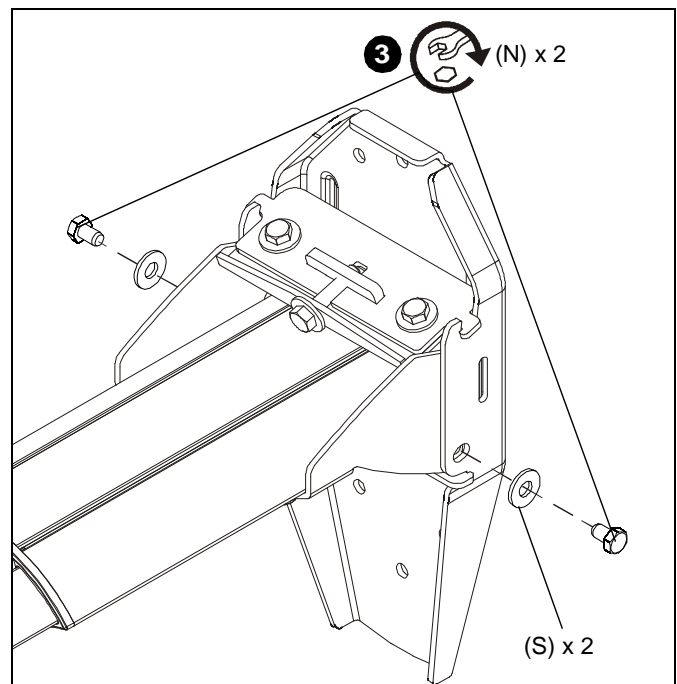


Figure 11

Installing Mount Covers

1. Raise lower cover (X) up to WMA1S. (See Figure 12)

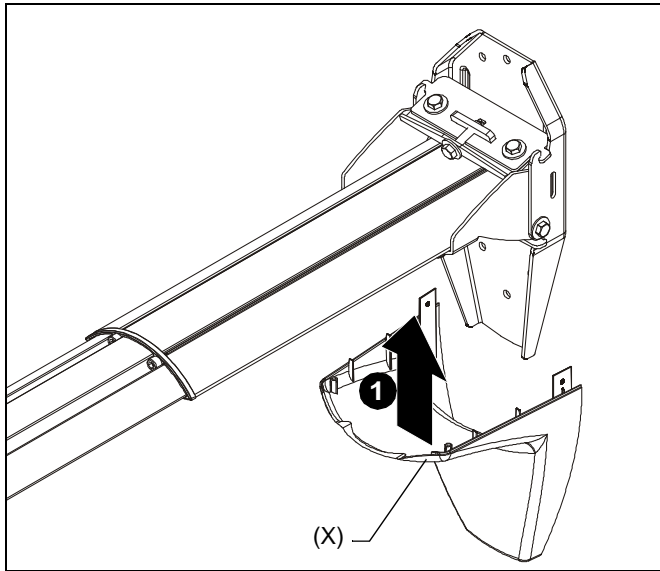


Figure 12

2. Lower top cover (W) onto WMA1S. (See Figure 13)
3. Install two #10 x 1" Phillips pan head tapping screws (V) through holes on sides of covers. (See Figure 13)
4. Install two #8 x 1/2" Phillips pan head tapping screws (U) into top of top cover (W). (See Figure 13)

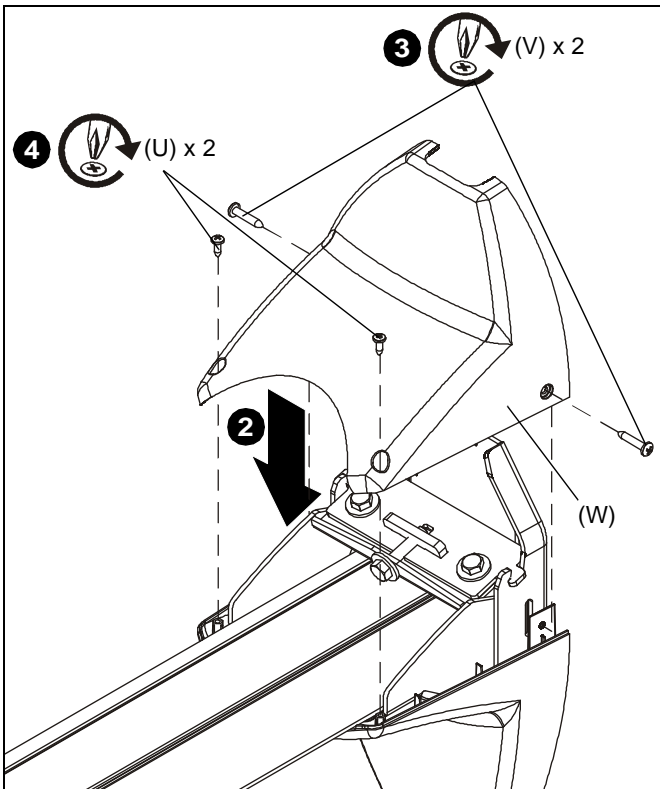


Figure 13

PROJECTOR INSTALLATION



WARNING: Exceeding the weight capacity can result in serious personal injury or damage to equipment! It is the installer's responsibility to make sure the combined weight attached to the wall mount accessory up to (and including) the attached component(s) does not exceed:

- Installed in steel stud: 50 lbs (22.7 kg)
- Installed in 2" x 4" wood stud: 150 lbs (68.0 kg)
- Installed in concrete/concrete block (with NO drywall attached to wall): 150 lbs (68.0 kg)

Column (not included) Installation

1. Line up mounting holes on column (not included) with corresponding hole on WMA1S mounting plate. (See Figure 14)

IMPORTANT ! : The maximum length column that can be attached to the WMA1S is 48 inches (121.9 cm).

2. Install column (not included) following instructions included with column.
3. Install one 5/16-18 x 1/4" set screw (P) or one 5/16-18 x 1/4" security set screw (Q) through hole in WMA1S mounting plate and column. (See Figure 14)

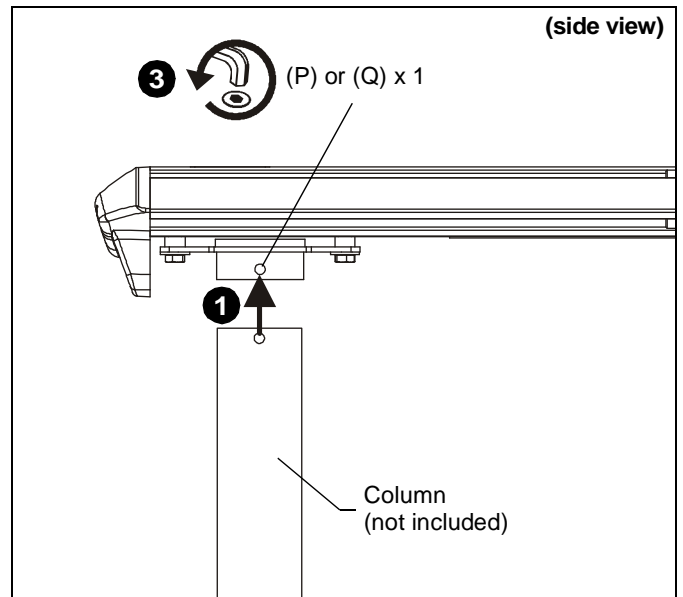


Figure 14

Removing Mount Covers

1. Remove two #8 x 1/2" Phillips pan tapping screws (U) and two #10 x 1" Phillips pan tapping screws (V) to free top cover (W) and expose pitch adjustment screw. (See Figure 15)
2. Remove lower cover (X) from WMA1S. (See Figure 15)

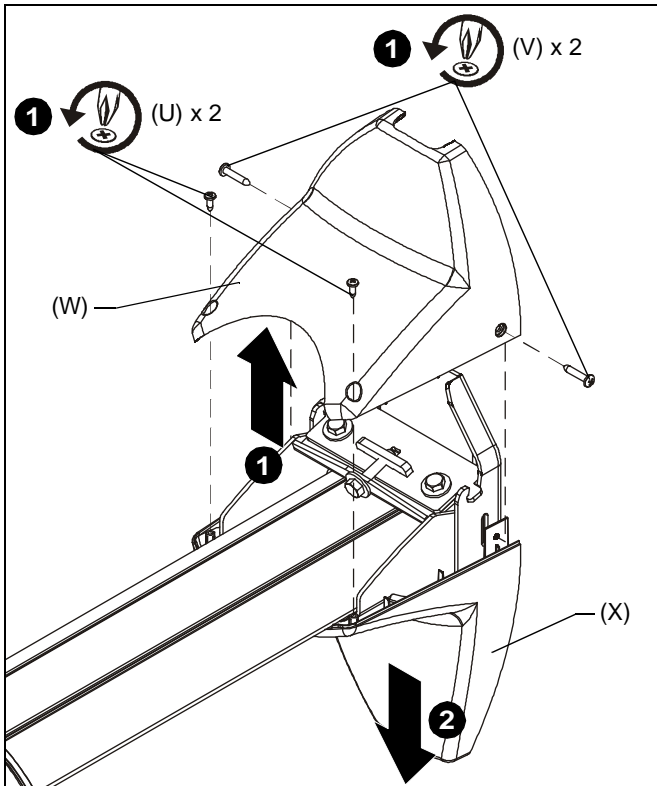


Figure 15

Pitch Adjustment

3. Loosen two 5/16-18 x 1/2" hex head screws (N) (one on each side of wall bracket). (See Figure 16)
4. Loosen two bolts (one on each side of pitch adjustment screw). (See Figure 16)
5. Adjust pitch adjustment screw until mount is at desired pitch level.
 - Turn **clockwise** to raise mounting level.
 - Turn **counterclockwise** to lower mounting level. (See Figure 16)
6. Tighten two bolts (one bolt on either side of pitch adjustment screw). (See Figure 16)
7. Tighten two 5/16-18 x 1/2" screws (N) (one on each side of mounting bracket). (See Figure 16)
8. Return mount covers to the mount following instructions in **Installing Mount Covers** section.

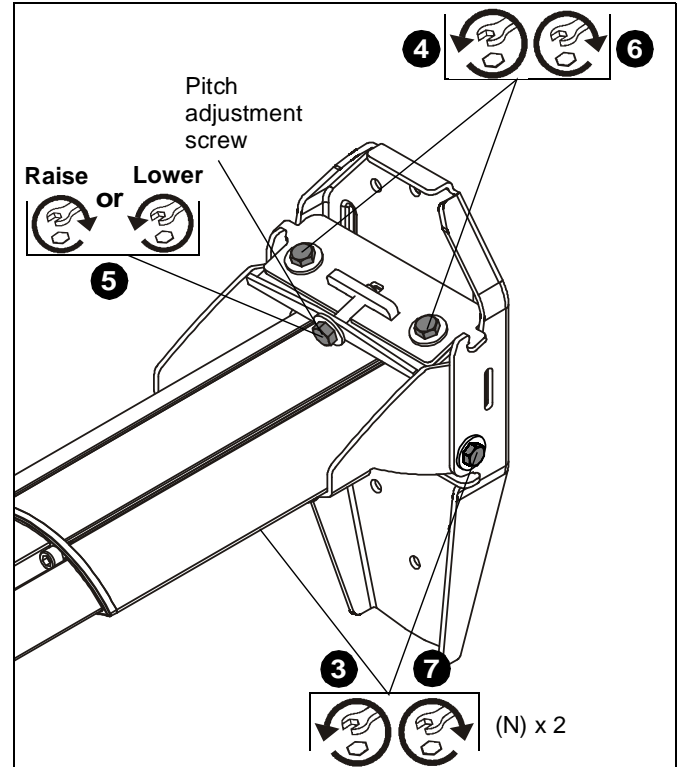


Figure 16

Cable Management (Optional)

1. Remove mount covers from the mount following instructions in **Removing Mount Covers** section.

NOTE: In most cases, the cable management cover will NOT need to be removed in order to route cables from projector to the wall mount. But for some thick cables, removing the cover may be necessary.

2. Remove cable management cover (if necessary) from WMA1S arm. (See Figure 17)

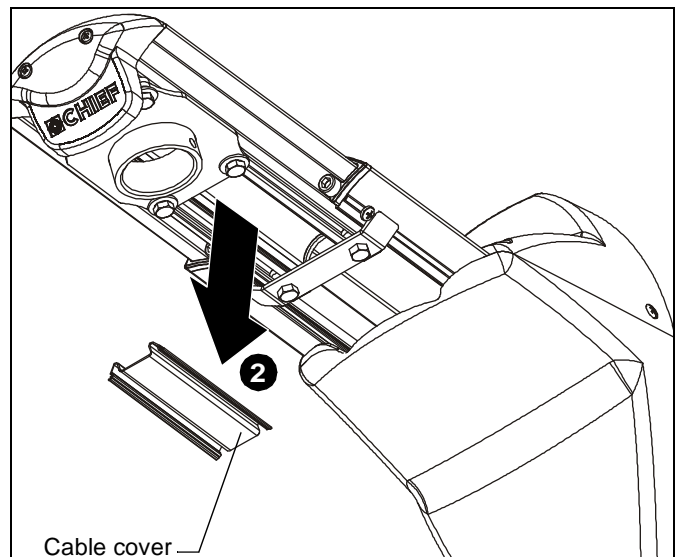


Figure 17

- Route projector cable(s) under mount cover and through WMA1S arm. (See Figure 18)

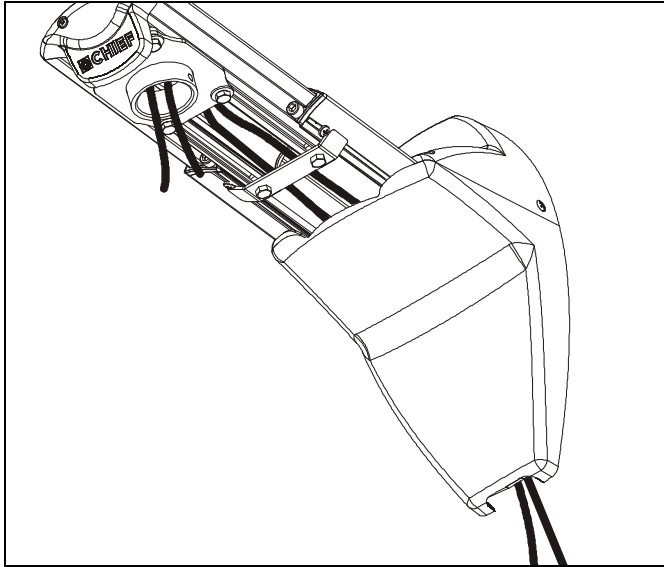


Figure 18

- (Optional) Cables may be tied to inside of WMA1S front cover using cable ties (not included). Route cables near front cover and wrap cable tie through slots on front cover and around cables. (See Figure 19)

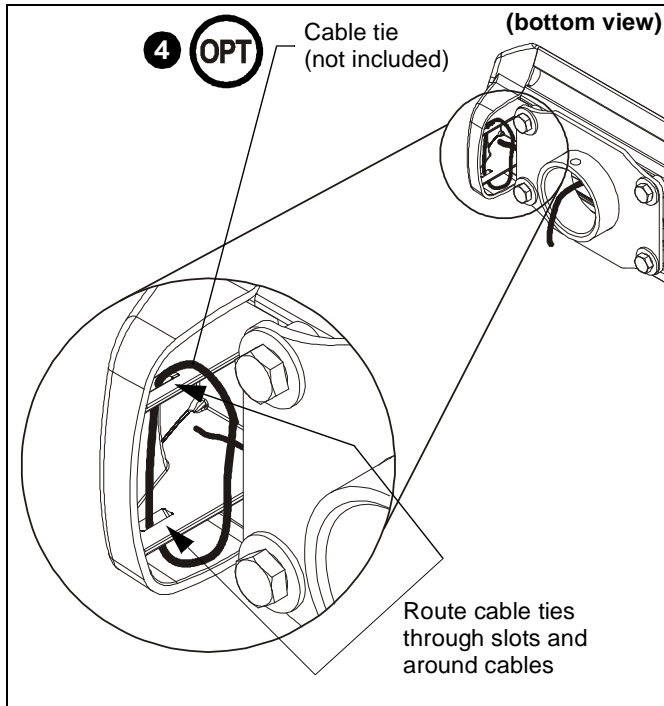


Figure 19

- Replace removed cable management cover (if necessary) by snapping it into place. (See Figure 20)

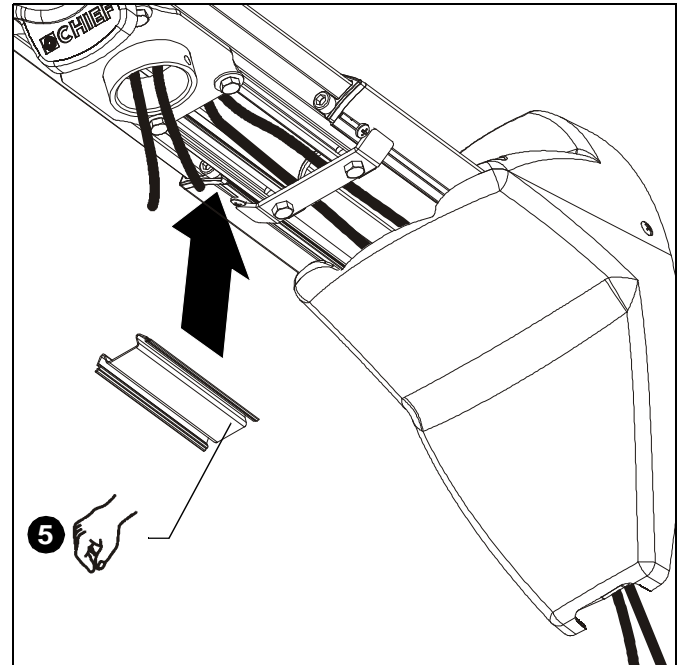


Figure 20

Extension Adjustment

- Loosen two bolts holding stop bracket in place on underside of WMA1S. (See Figure 21)
- Adjust mount to desired extension length. (See Figure 21)
- Tighten two bolts holding stop bracket to secure mount in desired position. (See Figure 21)

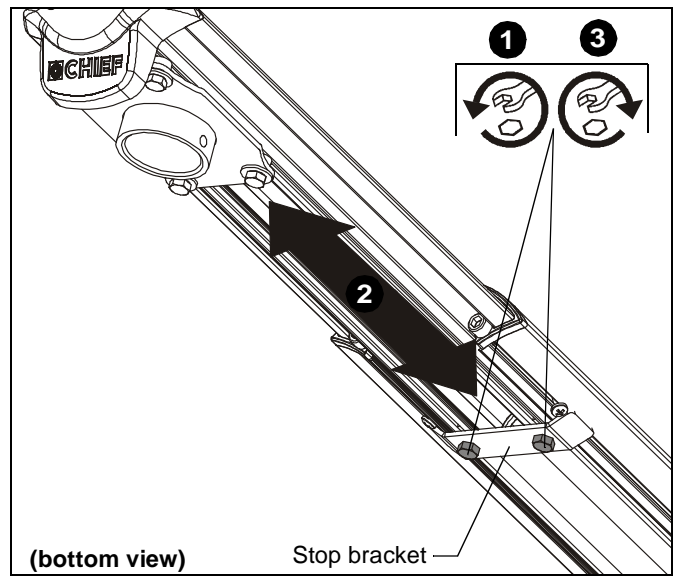


Figure 21

Security Screw Installation (Optional)

1. Remove two #8 x 1/2" Phillips screws (U) and two #10 x 1" Phillips screws (V) from top and lower covers. (See Figure 22)
2. Install two 8-32 x 1/2" buttonhead security screws (H) and two 10-24 x 1" buttonhead security screws (L) into top and lower covers. (See Figure 22)

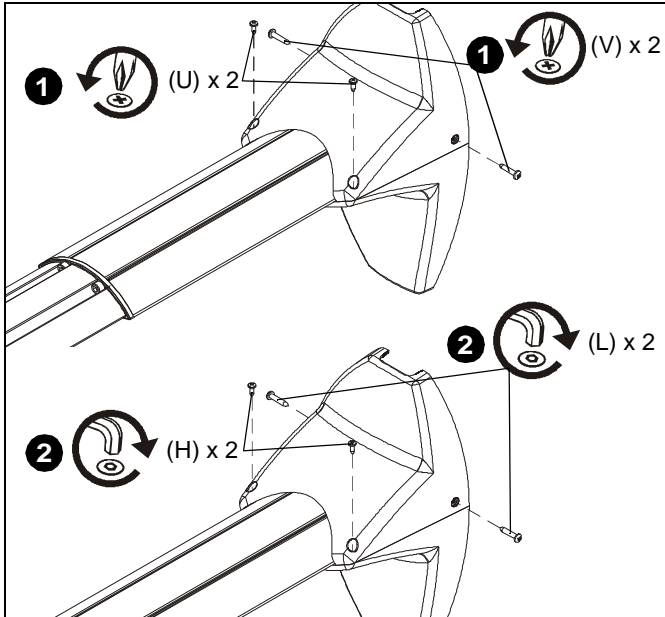


Figure 22

3. Remove two bolts holding stop bracket in place on underside of WMA1S. (See Figure 23)

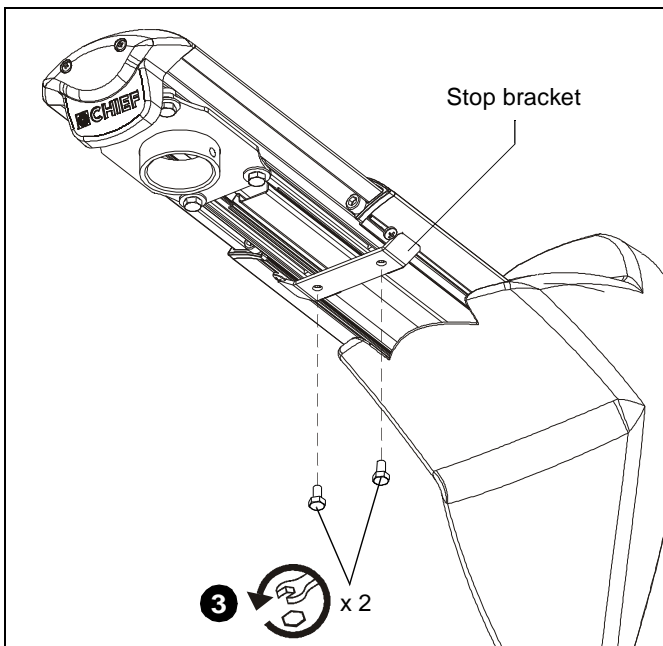


Figure 23

4. Install two 1/4-20 x 1/2" button head security screws (J) through holes in stop bracket and into holes in sliding nuts. (See Figure 24)

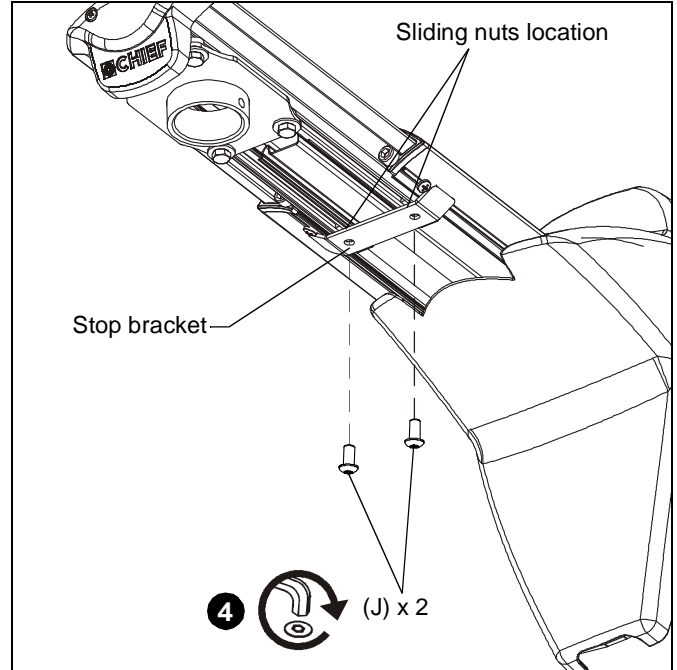


Figure 24

5. (Optional) Remove column from WMA1S according to column installation instructions.

NOTE: For ease of installation, it is recommended to remove column prior to performing the following steps. For most mounts, it will be necessary to remove column prior to install of four security screws to WMA1S.

6. Remove one of four bolts from adapter plate. (See Figure 25)

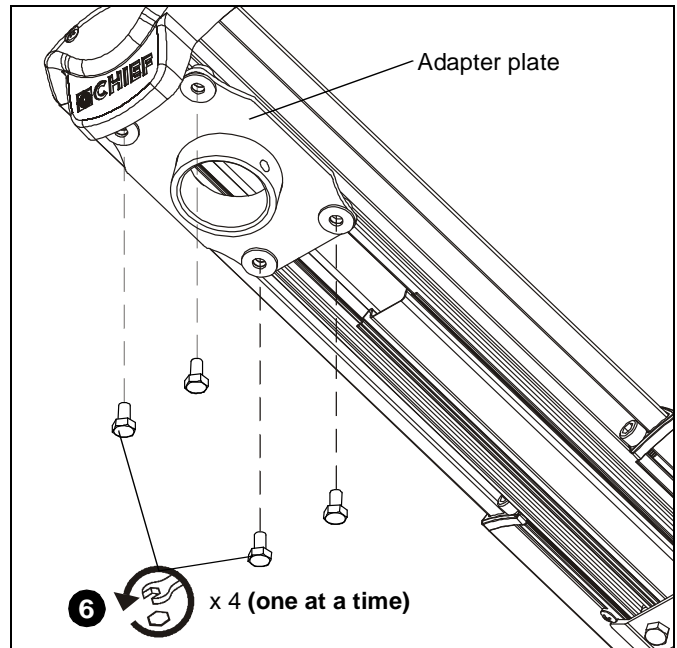


Figure 25

7. Install one 1/4-20 x 3/4" button head security screw (K) into hole vacated by removing bolt in Step 6 and into plastic spacer. (See Figure 26)
8. Repeat Steps 6-7 for remaining three bolts one bolt at a time.



WARNING: It is important to replace adapter plate bolts **ONE AT A TIME** or adapter plate could fall from mount during installation!

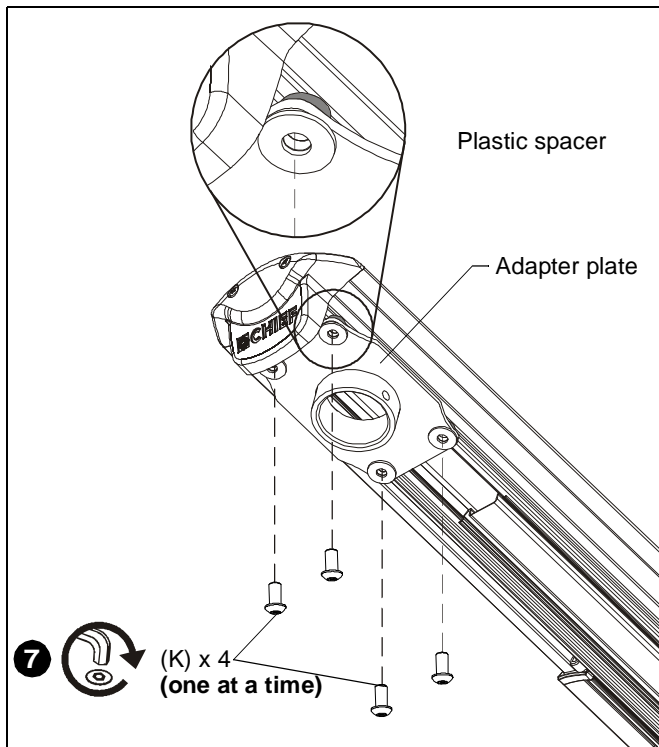


Figure 26

9. Reinstall column according to column installation instructions.



Our Mounts. **Your Vision.**

Chief Manufacturing, a products division
of Milestone AV Technologies

8802-002083 Rev01
©2011 Milestone AV Technologies, a
Duchossois Group Company
www.chiefmfg.com
06/11

USA/International	A 8401 Eagle Creek Parkway, Savage, MN 55378 P 800.582.6480 / 952.894.6280 F 877.894.6918 / 952.894.6918
Europe	A Fellenoord 130 5611 ZB EINDHOVEN, The Netherlands P +31 (0)40 2668620 F +31 (0)40 2668615
Asia Pacific	A Office No. 1 on 12/F, Shatin Galleria 18-24 Shan Mei Street Fotan, Shatin, Hong Kong P 852 2145 4099 F 852 2145 4477

