



---

INSTRUCTIONS FOR  
Model 203 And 425  
Project-O-Stands

---

**DA-LITE**®

# Set-Up Instructions

---

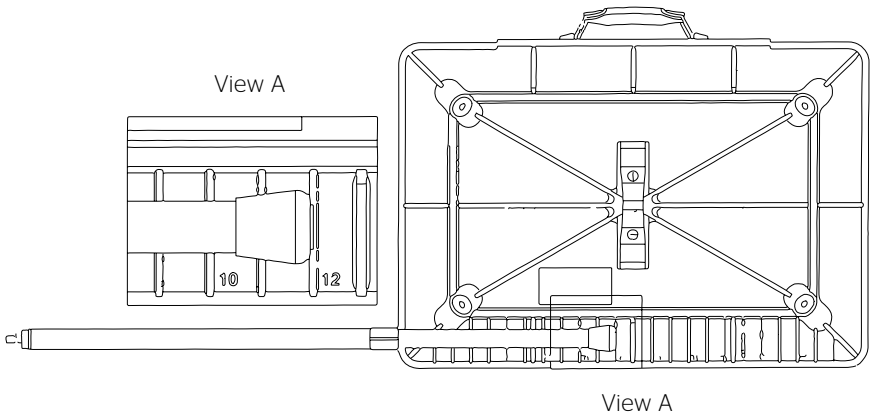
Remove all four legs from the rubber leg holder and screw into threaded inserts. To adjust leg length, loosen the Sure-Grip Camlock Collars, adjust to desired table height and tighten collar.

**NOTE:** The non-skid platform supports up to 125 lbs. with legs completely extended.

To take down and store your Project-O-Stand, adjust legs to shortest length, remove from table top and slip into rubber leg holder.

**NOTE:** Place legs into center slots of leg holder first, then place legs into outside slots.

Model 425 Only



Adjust all 4 legs to desired length before assembling to the table.

## Care Instructions

---

Your new Project-O-Stand requires very little care. Dust as needed with a soft cloth; if required, use mild soap and water to clean off stubborn spots. Abrasive cleaners should be avoided as they may scratch the legs on both models.

## Accessories

---

### **Model 208**

#### **Accessory Shelf**

Convenient 14½" x 22" x ½" shelf may be used on all Project-O-Stands to create a convenient storage place for dissolve units, trays, cassettes, and presentation materials. Shelf is made of wood composition board with plastic laminate top and vinyl edges.



# Disclaimer

---

Milestone and its affiliated corporations and subsidiaries (collectively "Milestone"), intend to make this manual accurate and complete. However, Milestone makes no claim that the information contained herein covers all details, conditions or variations, nor does it provide for every possible contingency in connection with the installation or use of this subject to change without notice or obligation of any kind. Milestone makes no representation of warranty, expressed or implied, regarding the information contained herein. Milestone assumes no responsibility for accuracy, completeness or sufficiency of the information contained in this document.

Da-Lite® is a registered trademark of Milestone AV Technologies. All rights reserved.



**A BRAND OF MILESTONE AV TECHNOLOGIES** | [www.milestone.com](http://www.milestone.com)

**P** 800.622.3737 / 574.267.8101 **F** 877.325.4832 / 574.267.7804

**E** [info@da-lite.com](mailto:info@da-lite.com)

In British Columbia, Milestone AV Technologies ULC carries on business as MAVT Milestone AV Technologies ULC.

©2017 Milestone AV Technologies. DL-0331 (Rev. 2) 0317.

Da-Lite is a registered trademarks of Milestone AV Technologies. All other brand names or marks are used for identification purposes and are trademarks of their respective owners. All patents are protected under existing designations. Other patents pending.