



INSTRUCTION BOOK FOR
Da-Lite Projector Lift
10M, 15M, 15, 19, 19L

DA-LITE[®]

Original Instructions

Disclaimer

Milestone and its affiliated corporations and subsidiaries (collectively "Milestone"), intend to make this manual accurate and complete. However, Milestone makes no claim that the information contained herein covers all details, conditions or variations, nor does it provide for every possible contingency in connection with the installation or use of this subject to change without notice or obligation of any kind. Milestone makes no representation of warranty, expressed or implied, regarding the information contained herein. Milestone assumes no responsibility for accuracy, completeness or sufficiency of the information contained in this document.

Da-Lite® is a registered trademark of Milestone AV Technologies. All rights reserved.

Pre-Installation

1. Carefully unpack Da-Lift projector lift.
2. Make sure to recheck measurements of projector lift location before installation.

Important Safety Instructions

When using your video equipment, basic safety precautions should always be followed, including the following:

1. Read and understand all instructions before using.
2. Position the cord so that it will not be tripped over, pulled, or contact hot surfaces.
3. If an extension cord is necessary, a cord with a current rating at least equal to that of the appliance should be used. Cords rated for less amperage than the appliance may overheat.
4. To reduce the risk of electric shock, do not disassemble this appliance. Contact an authorized service dealer when repair work is required. Incorrect reassembly can cause electric shock when the appliance is used subsequently.
5. The use of an accessory attachment not recommended by the manufacturer may cause a risk of fire, electric shock, or injury to persons.

Save These Instructions

This unit must be installed in accordance with the requirements of the Local Building Codes, the Canadian Electrical Code (CEC), CAN/CSA C22.1 and the National Electric Code (NEC) NFPA 70.

Suggested Methods Of Installation

1. Mounting Da-Lift Projector Lift between joists.

Install the joists at the proper height and width to fit the Da-Lift you are installing. See Figure 1.

NOTE: The Da-Lift must be installed on top of the joists. Be sure to leave access from above for installation.

When the joists are properly installed, and secured in place, slide the Da-Lift in position. Bolt the two brackets (1-1/2" x 19") to the frame. Lower the unit onto the joists and secure in place. Additional bracing may be required, based on construction.

NOTE: Da-Lift projector lift must be installed level!

Model	Lifting Capacity	Width A	Height B	Depth C	Height D	Dim. E	Dim. F
Da-Lift 10M	40 lbs.	22-5/8"	15"	22"	4-1/2"	24-1/8"	14"
Da-Lift 15M	40 lbs.	22-5/8"	20"	22"	9-1/2"	24-1/8"	14"
Da-Lift 15	300 lbs.	30-3/4"	20"	34"	9-1/2"	32-1/4"	16-1/4"
Da-Lift 19	300 lbs.	32-3/4"	24"	38"	13-1/2"	34-1/4"	16-1/4"
Da-Lift 19L	300 lbs.	42-3/4"	24"	48"	13-1/2"	44-1/4"	16-1/4"

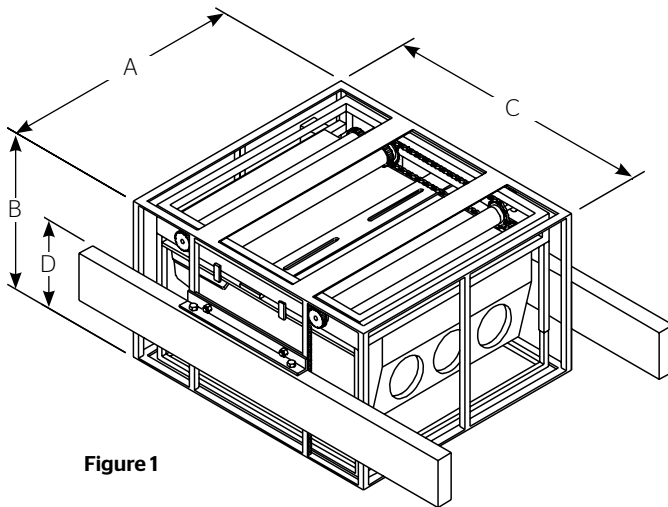


Figure 1

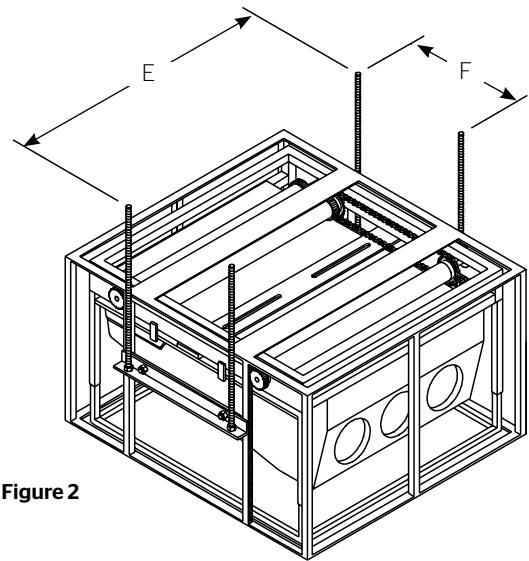


Figure 2

2. Mounting Da-Lift Projector Lift using 1/2" diameter threaded rods. Secure four 1/2" diameter threaded rods to the ceiling at the dimensions shown. See Figure 2, "E" and "F". Install the mounting bracket (1-1/2" x 19") to each side of Da-Lift with 1/2" diameter bolts, flat washers and nuts. Attach one nut on each rod and run the nut up to the desired height.

Slide Da-Lift projector lift up with all (4) four threaded rods into the mounting brackets. Install 1/2" nuts under the mounting brackets. Adjust the frame to the proper height and level with bottom nuts on the rod. Lock the mounting brackets in place with the nuts on the top of each rod. Frame must be level and solid. Additional bracing may be required, based on construction.

Electrical Wiring - Models 10M, 15M

1. Install electrical hook up that applies to your unit. Make sure to review your Electrical Installation Checklist and wiring diagram (see Figure 3) for 120-volt switch, 220/240-volt switch, or DRC low voltage control.
2. Test installation by carefully running Da-Lift “up” and “down” several times. Be prepared to stop the Da-Lift. Duty cycle is three (3) minutes ON and three (3) minutes OFF.
3. Make sure Da-Lift stops in the up direction flush with the ceiling.

NOTE: Da-Lift projector lift has been internally wired at Da-Lite. External wiring is completed by installer conforming to local and national codes. Be sure the wires are long enough for the Da-Lift to go up and down.

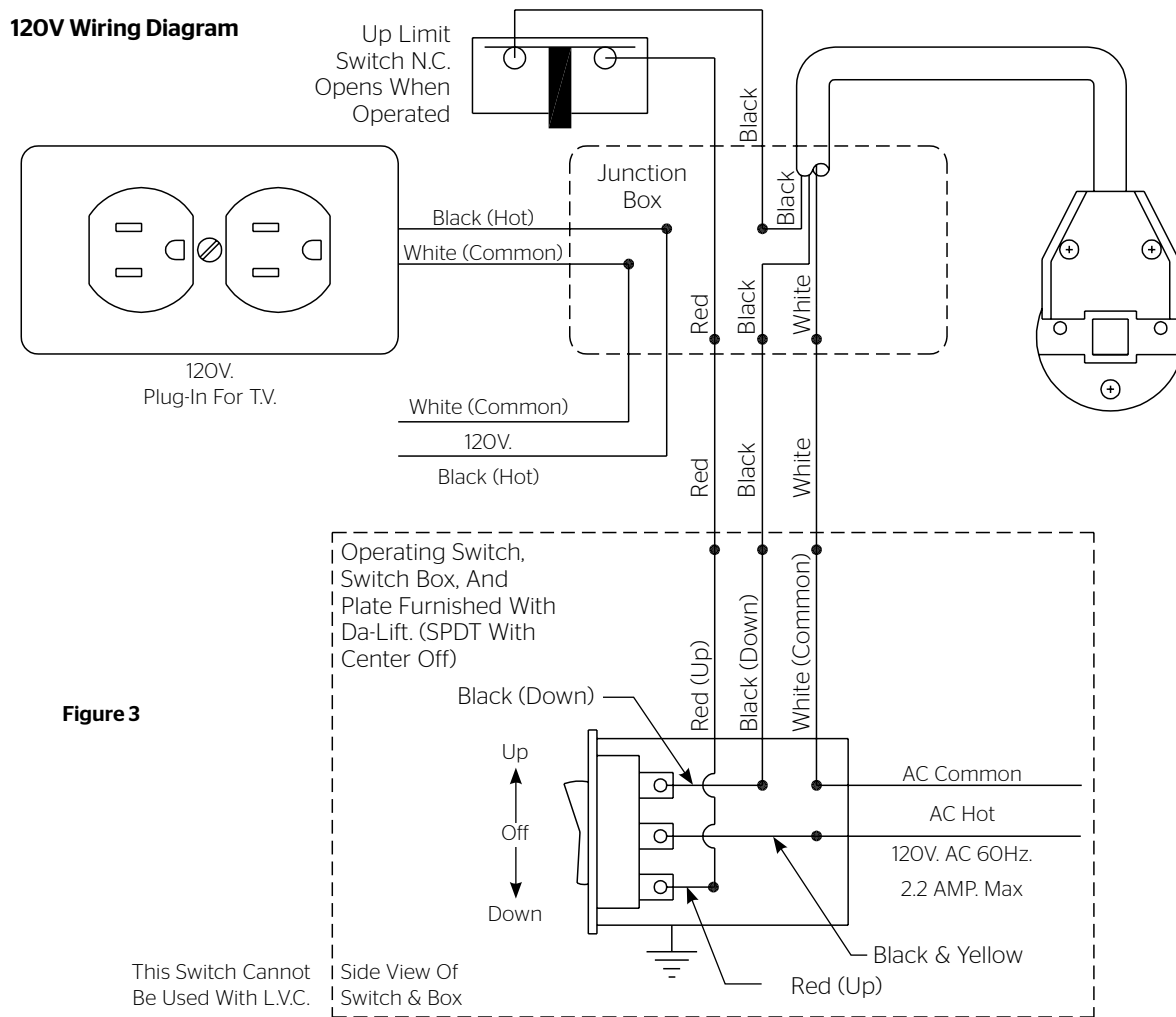


Figure 3

240 Volt Wiring Diagram

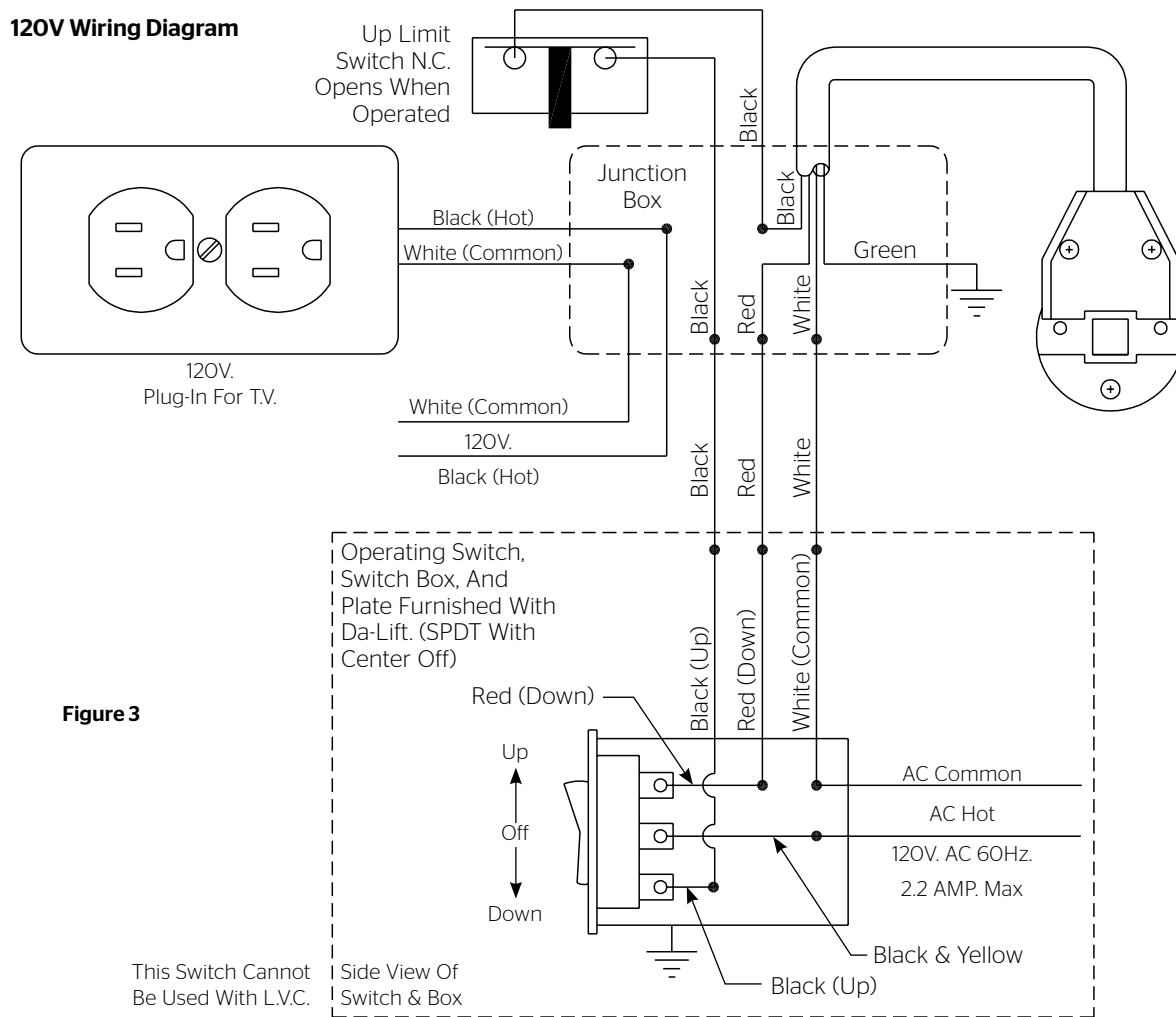
Da-lite offers two styles of 240-volt wall switches for standard operation. Please see wiring diagram included in wall switch box included with screen.

Electrical Wiring - Models 15, 19, 19L

1. Install electrical hook up that applies to your unit. Make sure to review your Electrical Installation Checklist and wiring diagram (see Figure 3) for 120-volt switch, 220/240-volt switch, or DRC low voltage control.

2. Test installation by carefully running Da-Lift “up” and “down” several times. Be prepared to stop the Da-Lift. Duty cycle is three (3) minutes ON and three (3) minutes OFF.
3. Make sure Da-Lift stops in the up direction flush with the ceiling.

NOTE: Da-Lift projector lift has been internally wired at Da-Lite. External wiring is completed by installer conforming to local and national codes. Be sure the wires are long enough for the Da-Lift to go up and down.



240 Volt Wiring Diagram

Da-lite offers two styles of 240-volt wall switches for standard operation. Please see wiring diagram included in wall switch box included with screen.

Da-Lift Projector Lift Adjustment

Models 10M, 15M

Use a small screwdriver or 5/32" hex wrench and insert in number 2 switch. Turn counter clockwise for less drop. Check for proper stopping height. Repeat steps until the proper height is set. See Figure 5.

The bottom frame of the Da-Lift is removable and adjustable to ceiling level. Finish the bottom frame to match the ceiling.

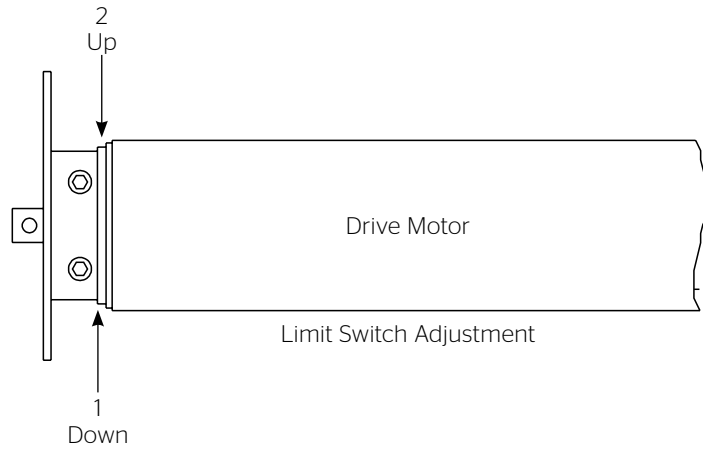


Figure 5

Models 15, 19, 19L

Da-Lift projector lift travel is stopped automatically in the full up and full down positions by limit switches, which have been properly adjusted at the factory. The up limit switch should not be field adjusted. If it is necessary to readjust the down limit switch, proceed in the following manner. See Figure 4. Raise projector lift before adjustment for less drop. Take a small screwdriver or 5/32" hex wrench and insert in yellow switch and

turn towards the (-) or clockwise direction. Raise and then lower the Da-Lift and check for proper stopping height. If additional change is necessary, repeat steps until the proper height is set. Check for satisfactory condition by operating unit a few times.

The bottom frame of the Da-Lift is removable and adjustable to ceiling level. Finish the bottom frame to match the ceiling.

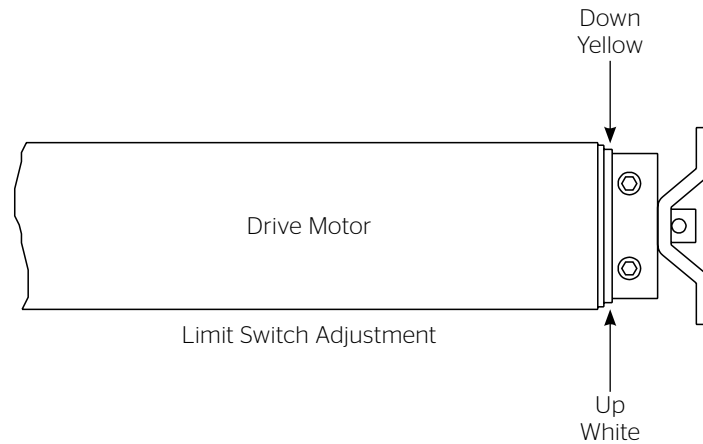
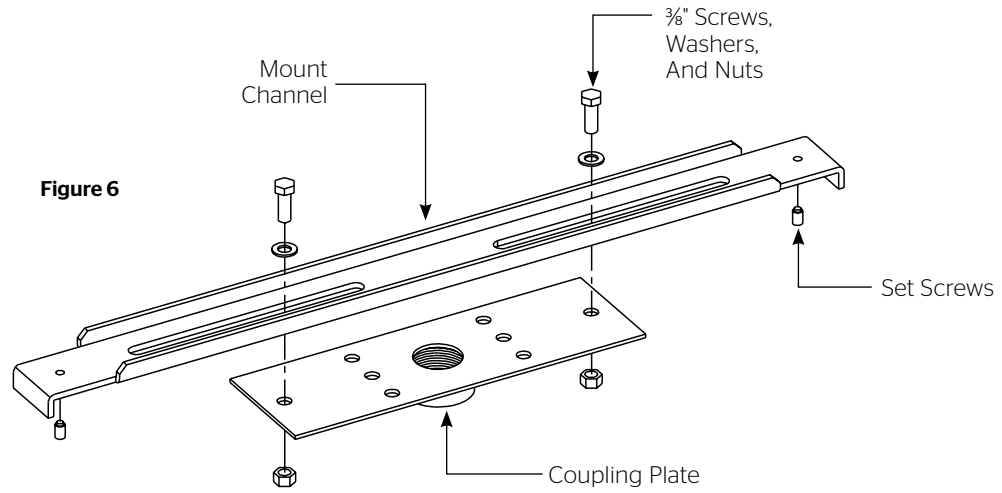


Figure 4

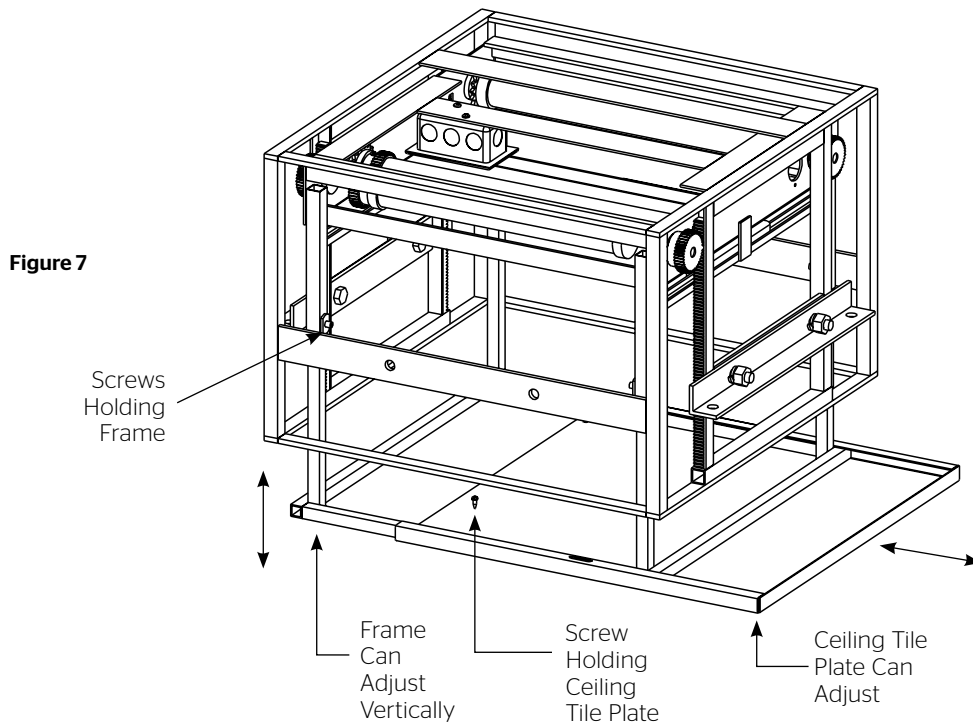
Optional

Install 1-1/2 pipe coupling plate for a projector mount. See Figure 6. Loosen set screws to move Mount Channel. Tighten set screws to hold position.



Optional

Finish the Ceiling Tile Plate by attaching a ceiling tile to it, painting it or other finishing ideas. See Figure 7. Use the adjustable Bottom Frame to position the Ceiling Tile Plate level with the ceiling.



LIMITED FIVE YEAR WARRANTY ON DA-LITE PRESENTATION PRODUCTS

Milestone AV Technologies LLC warrants certain Da-Lite branded products to the original purchaser only, to be free from defects in materials and workmanship for a period of five (5) years from the date of purchase by the original purchaser; provided they are properly operated according to Da-Lite's instructions and are not damaged due to improper handling or treatment after shipment from the factory.

This warranty does not apply to equipment showing evidence of misuse, abuse or accidental damage, or which has been tampered with or repaired by a person other than authorized Da-Lite personnel.

Da-Lite's sole obligation under this warranty shall be to repair or to replace (at Da-Lite's option) the defective part of the merchandise. Returns for service should be made to your Da-Lite dealer. If it is necessary for the dealer to return the screen or part to Da-Lite, transportation expenses to and from Da-Lite are payable by the purchaser and Da-Lite is not responsible for damage in shipment. To protect yourself against damage or loss in transit, insure the product and prepay all transportation expenses.

TO THE MAXIMUM EXTENT PERMITTED BY APPLICABLE LAW, THIS WARRANTY IS IN LIEU OF ALL OTHER WARRANTIES, EXPRESS OR IMPLIED, INCLUDING WARRANTIES AS TO FITNESS FOR USE AND MERCHANTABILITY. Any implied warranties of fitness for use, or merchantability, that may be mandated by statute or rule of law are limited to the five (5) year warranty period. This warranty gives you specific legal rights, and you may also have other rights, which vary from state-to-state. **TO THE MAXIMUM EXTENT PERMITTED BY APPLICABLE LAW, NO LIABILITY IS ASSUMED FOR EXPENSES OR DAMAGES RESULTING FROM INTERRUPTION IN OPERATION OF EQUIPMENT, OR FOR INCIDENTAL, DIRECT, OR CONSEQUENTIAL DAMAGES OF ANY NATURE.**

In the event that there is a defect in materials or workmanship of a Da-Lite product, you may contact our Customer Care Specialists at 3100 North Detroit Street, Warsaw, IN 46582, (574) 267-8101, (800) 622-3737.

IMPORTANT: THIS WARRANTY SHALL NOT BE VALID AND DA-LITE BRANDED PRODUCTS SHALL NOT BE BOUND BY THIS WARRANTY IF THE PRODUCT IS NOT OPERATED IN ACCORDANCE WITH THE DA-LITE WRITTEN INSTRUCTIONS.

Keep your sales receipt to prove the date of purchase and your original ownership.



FOR YOUR IMAGE | legrandav.com

USA P 866.977.3901 E info@da-lite.com
CANADA P 877.345.4329 E canadainfo@milestone.com
EMEA P +31 495 580 840 E emea.sales@milestone.com
APAC P +852 2145 4099 E asia.da-lite@milestone.com

In British Columbia, Milestone AV Technologies ULC carries on business as MAVT Milestone AV Technologies ULC.
©2018 Milestone AV Technologies. DL-0368 (Rev. 1) 7/18 Da-Lite is a registered trademark of Milestone AV Technologies. All other brand names or marks are used for identification purposes and are trademarks of their respective owners. All patents are protected under existing designations. Other patents pending.