
INSTALLATION AND OPERATING INSTRUCTIONS FOR
Dual Motor Low Voltage Control (DMC)



Important Safety Instructions

When using your video equipment, basic safety precautions should always be followed, including the following:

1. Read and understand all instructions before using.
2. Position the cord so that it will not be tripped over, pulled, or contact hot surfaces.
3. If an extension cord is necessary, a cord with a current rating at least equal to that of the appliance should be used. Cords rated for less amperage than the appliance may overheat.
4. To reduce the risk of electric shock, do not disassemble this appliance. Contact an authorized service dealer when repair work is required. Incorrect reassembly can cause electric shock when the appliance is used subsequently.
5. The use of an accessory attachment not recommended by the manufacturer may cause a risk of fire, electric shock, or injury to persons.

Save These Instructions

Installation

⚠ WARNING: To prevent electrical shock or damage to the Dual Motor Low Voltage Control (DMC), do not apply power to the DMC until all connections are complete. Make sure power is turned off on all wires before making connections.

⚠ AVERTISSEMENT: pour éviter tout choc électrique ou d'endommager le tableau de contrôle basse tension, n'alimentez ce dernier qu'une fois tous les branchements effectués. Vérifiez qu'aucun câble n'est alimenté avant d'effectuer les branchements

Opening the Unit

To open the unit, please follow these instructions and Figures 2, 3, and 4.

1. Remove the six screws that hold the cover plate to the box **(DO NOT REMOVE the 4 screws in the middle of the cover plate; these hold the circuit board to the cover plate.)** See Figure 2.
2. Upon removing the screws, push the cover plate to the side of the box. See Figure 3.
3. Rotate up and remove. See Figure 4.

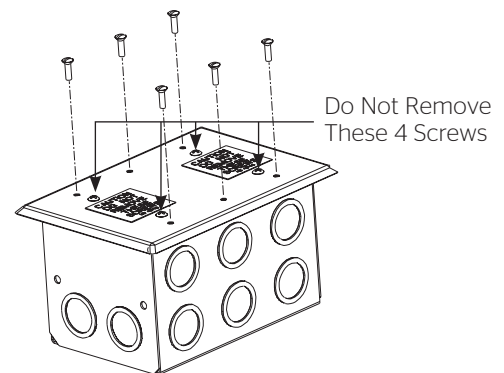


Figure 2

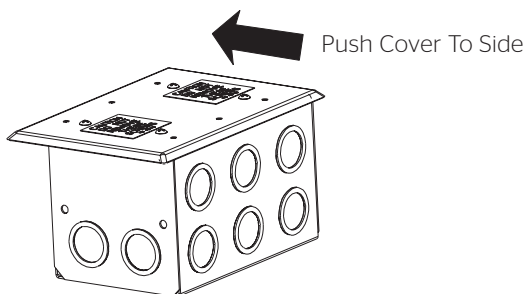


Figure 3

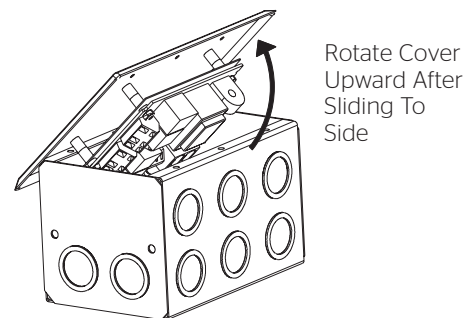


Figure 4

Low Voltage Connections:

Wall Switch

1. Install wall switch where desired.
2. Use 3-conductor 20-24 gauge wire to extend the switch wire to the DMC location.
3. Connect the wire from the switch to the switch terminal as shown in Figure 5.

⚠ CAUTION: Never apply more than 24 volts to the wall switch terminal or the DMC will be damaged.

⚠ ATTENTION: n'alimentez jamais le commutateur mural avec plus de 24 volts ou la commande double du moteur sera endommagée.

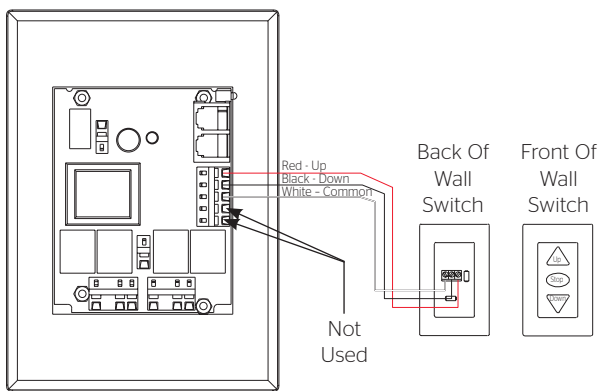


Figure 5

Third Party Control System

A third party control system may be connected to the DMC by using the wall switch terminal. The third party control system must provide a momentary, dry contact closure of at least 1/2 second.

1. Use 3-conductor 20-24 gauge wire to connect the third party control system to the wall switch terminal.
2. A momentary closure across the white and red wires will be an "up" command.
3. A momentary closure across the white and black wires will be a "down" command.
4. A momentary closure across the white, red and black wires will be a "stop" command.

⚠ CAUTION: Never apply more than 24 volts to the wall switch terminal or the DMC will be damaged.

⚠ ATTENTION: n'alimentez jamais le commutateur mural avec plus de 24 volts ou la commande double du moteur sera endommagée.

AC Power Connections

Dual Masking Electrol®

1. Connect the motor wires in the screen junction box to the DMC terminals as shown in Figures 6 or 7.
2. Use 14-18 gauge wire to extend the motor wire to the required length.

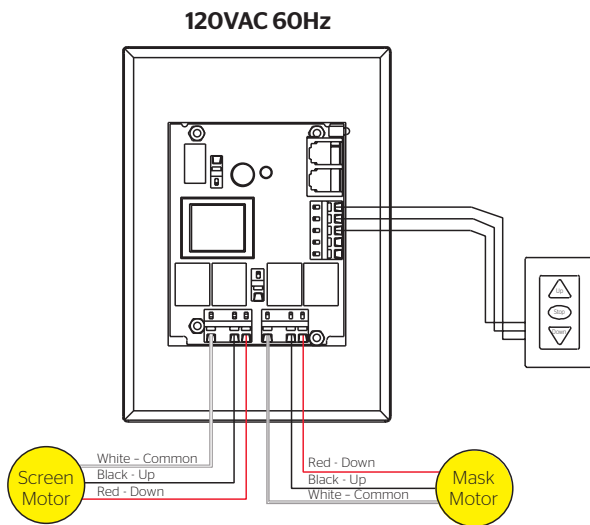


Figure 6

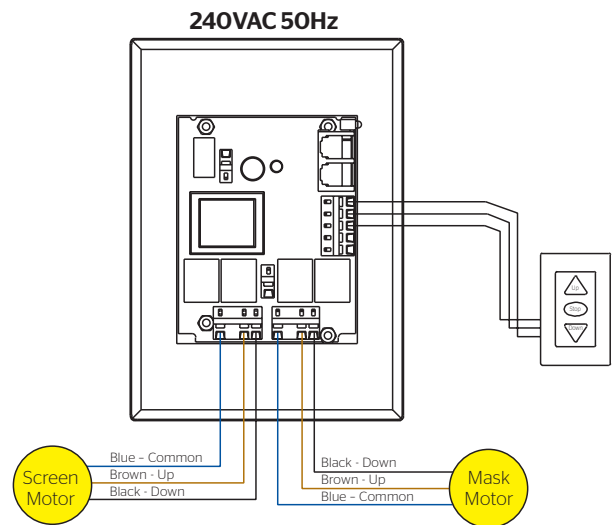


Figure 7

Two Electrol® Screen Application

(Not for use with Ascender®, Horizon, or Motorized Scenic Roller. Cannot be used with other Electrol® models with a built in Low Voltage Control.)

In this application, the second screen cannot be controlled independently.

1. Use 14-18 gauge wire to extend the motor wires to the DMC location.
2. Connect the motor wires in the screen junction boxes to the DMC as shown in Figures 8 or 9.

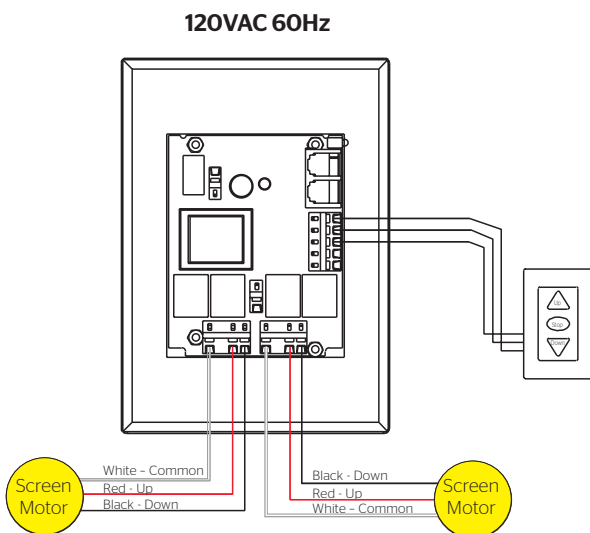


Figure 8

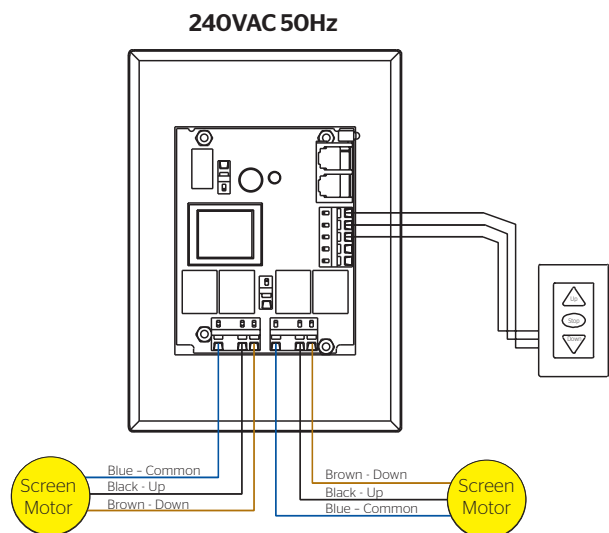


Figure 9

AC Power Connections

Electrol® Screen and Da-Lift Projector Lift

(Not for use with Ascender®, Horizon, or Motorized Scenic Roller. Cannot be used with other Electrol® models with a built in Low Voltage Control.)

1. Use 14-18 gauge wire to extend the motor wires to the DMC location.
2. Connect the motor wires in the screen and Da-Lift junction boxes to the DMC as shown in Figures 10 or 11.

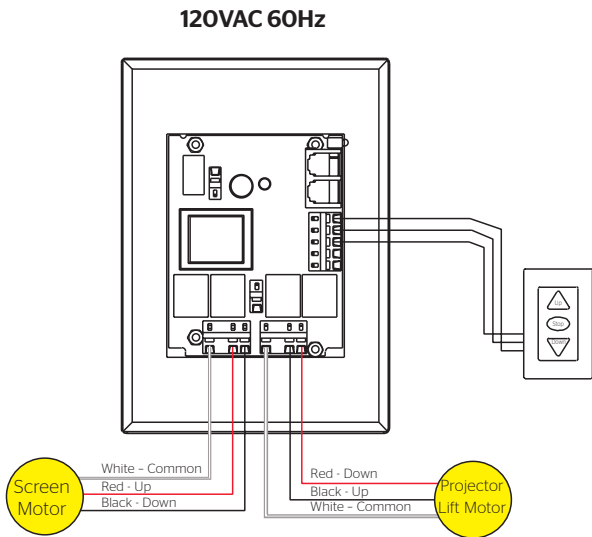


Figure 10

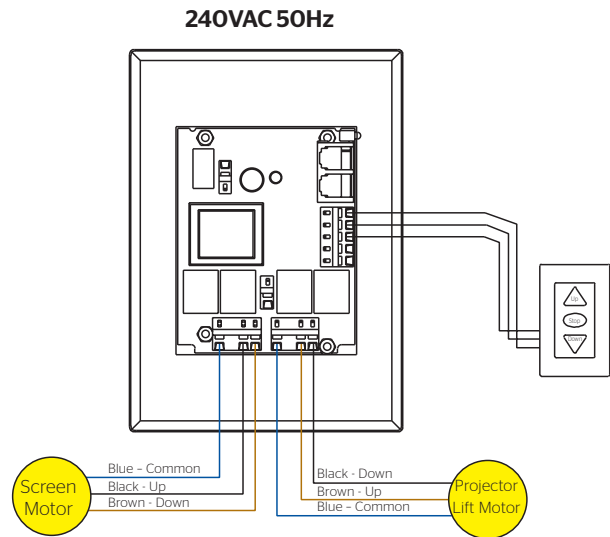


Figure 11

AC Power Source

1. Connect power wires to the DMC terminal as shown in Figures 12 or 13.
2. Grounding continuity: If metallic conduit is not used throughout the screen and control installation, grounding conductors are required to provide ground continuity between the screen and the DMC

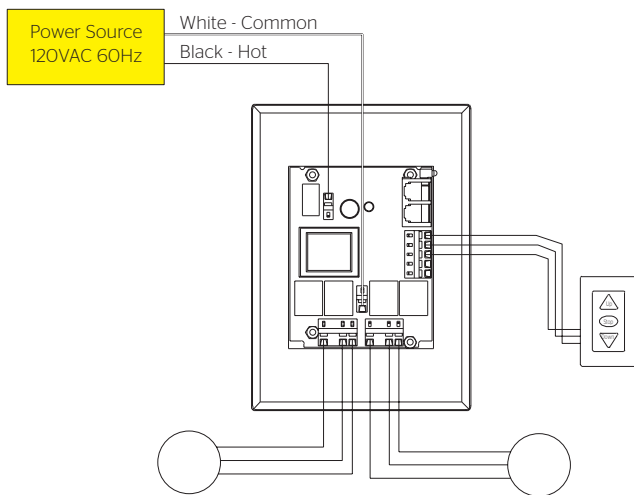


Figure 12

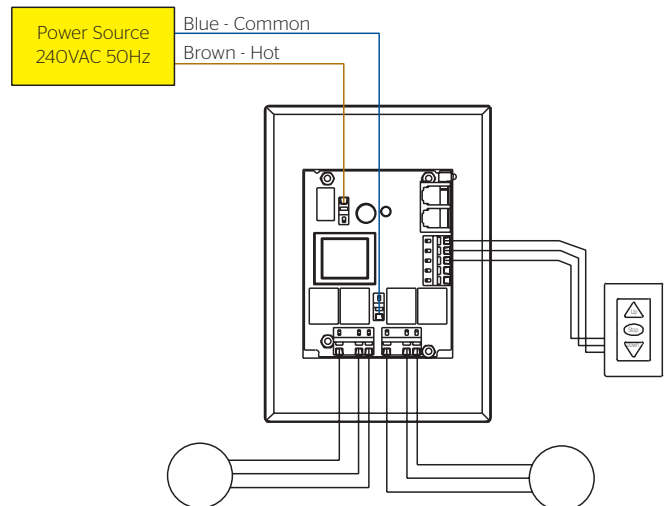


Figure 13

Operating the Dual Motor Controller

Motor A Only

1. Press the DOWN button once and the screen descends.
2. Press the UP button once and the screen ascends.

Motor A and B Combination

1. Press the DOWN button once and the screen descends.
2. Press the DOWN button again and the mask, second screen, or projector lift descends.
3. Press the UP button once and the mask, second screen, or projector lift ascends.
4. Press the UP button again and the screen ascends.

Optional Wireless Remote Connections:

Radio Frequency Remote

1. Attach the receiver adjacent to the DMC. Route the receiver wire into the DMC and plug it into the onboard socket. Refer to Figure 14.

Infrared Remote

1. Attach the receiver in a location visible from where the screen will be operated and away from fluorescent lights. Route the receiver wire into the DMC and plug it into the onboard socket. Refer to Figure 14.

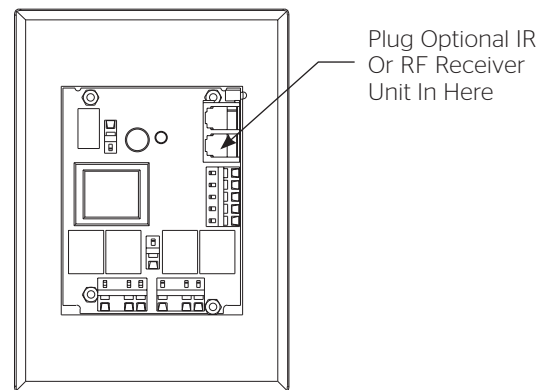


Figure 14



A Milestone AV Technologies Brand

3100 North Detroit Street
Warsaw, Indiana 46582
P: 574.267.8101 or 800.622.3737
F: 574.267.7804 or 877.325.4832
E: info@da-lite.com
www.da-lite.com

DL-0371 (Rev. 1) 09.14

© 2014 Milestone AV Technologies LLC. Printed in U.S.A.

95491