



---

INSTRUCTION BOOK FOR  
Advantage<sup>®</sup> Manual With CSR  
(Controlled Screen Return)

---



## Disclaimer

---

Milestone and its affiliated corporations and subsidiaries (collectively "Milestone"), intend to make this manual accurate and complete. However, Milestone makes no claim that the information contained herein covers all details, conditions or variations, nor does it provide for every possible contingency in connection with the installation or use of this subject to change without notice or obligation of any kind. Milestone makes no representation of warranty, expressed or implied, regarding the information contained herein. Milestone assumes no responsibility for accuracy, completeness or sufficiency of the information contained in this document.

Da-Lite® is a registered trademark of Milestone AV Technologies. All rights reserved.

## Important Safety Instructions

---

When using your video equipment, basic safety precautions should always be followed, including the following:

1. Read and understand all instructions before using.
2. Failure to provide adequate structural strength for this component can result in serious personal injury or damage to equipment! It is the installer's responsibility to make sure the structure to which this component is attached can support the weight of all equipment. Reinforce the structure as required before installing the component.
3. Use this projection screen only for its intended use as described in these instructions. Do not use attachments not recommended by the manufacturer.

**Save These Instructions**

## Pre-Installation

1. Carefully unpack case from shipping carton. DO NOT unpack fabric and roller assembly yet.
2. Make sure to recheck measurement of case for proper installation clearance.
3. Remove any protective foam or tape from case.

## Case Installation

1. Hang case and attach to support structure with bolts. See suggested methods of installation on page 3.

**NOTE:** Carriage bolts can be installed anywhere along the length of the case. The head of the carriage bolt slides into the variable-position mounting channel. It is recommended that the center is supported on cases longer than 7 feet.

2. Tighten bolts until trim flange is flush with ceiling.

**NOTE:** For proper operation, screen assembly must be level after installation.

## Screen And Roller Assembly Installation

If your screen was shipped with the fabric and roller already installed, skip this section.

1. Remove access door. First remove the 2 screws from the ends (Figure 1). Be sure to support the door during this step to avoid injury. Lift the door slightly and pull away from the edge of the case.
2. Carefully unpack screen and roller assembly. Leave packing paper on roller.
3. Loosen (but do not remove) two 1/4-20 nuts securing the pin end bracket (stage left) to the case housing. Slide the bracket towards the end of the case.
4. Insert the spring end of the roller into the spring end bracket. The mounting brackets have a formed tab that the slat bar will rest against. Be sure to install the roller assembly so the slat bar is positioned onto the tab. (Figure 2).

**NOTE: The spring end has a brass paw that catches on a notch. This feature must be disabled on screens with CSR. Make sure the notch is pointing down towards the opening of the case.**

5. Slide the pin end bracket onto the CSR pin. Tighten the 1/4-20 nuts securely.
6. Re-install the access door. Procedure is reverse of removal.

## Operating Screen

1. Pull down on pull bail until desired picture area is obtained. Lock into position as on a window shade. Be sure surface is locked before releasing.  
**NOTE:** this screen will not lock into position in the upper portion of its travel.
2. To re-roll the screen, pull the picture surface down about 6 inches and start the fabric up quickly and release.

Large picture surfaces are heavy and will start up too slowly to prevent the locking pawl from catching unless help is provided. If the locking pawl catches pull the picture surface down and start the surface up rapidly.

The CSR feature of this screen will allow the fabric to retract rapidly until about the last 6-12 inches of travel then it will slow and retract gently into the case.

Figure 1

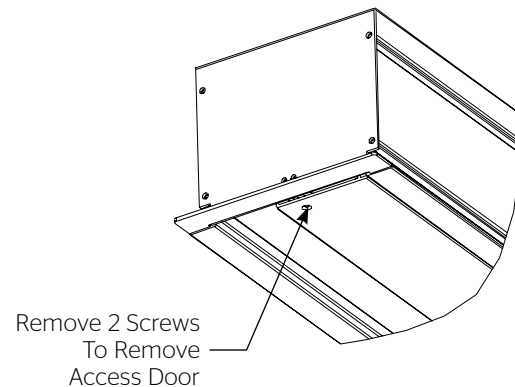
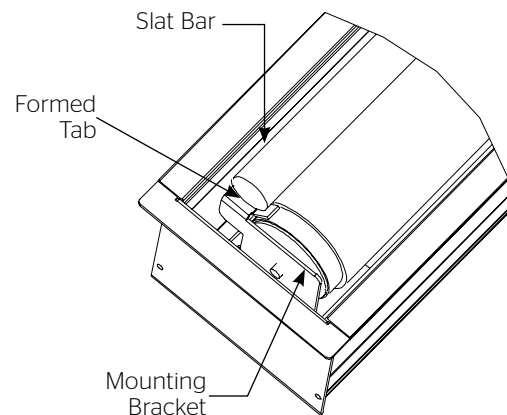
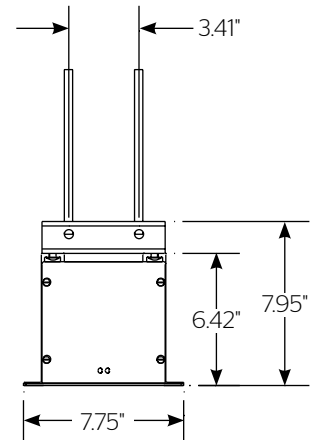
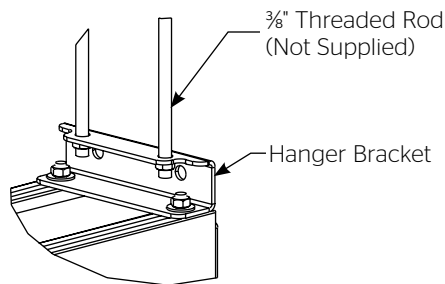
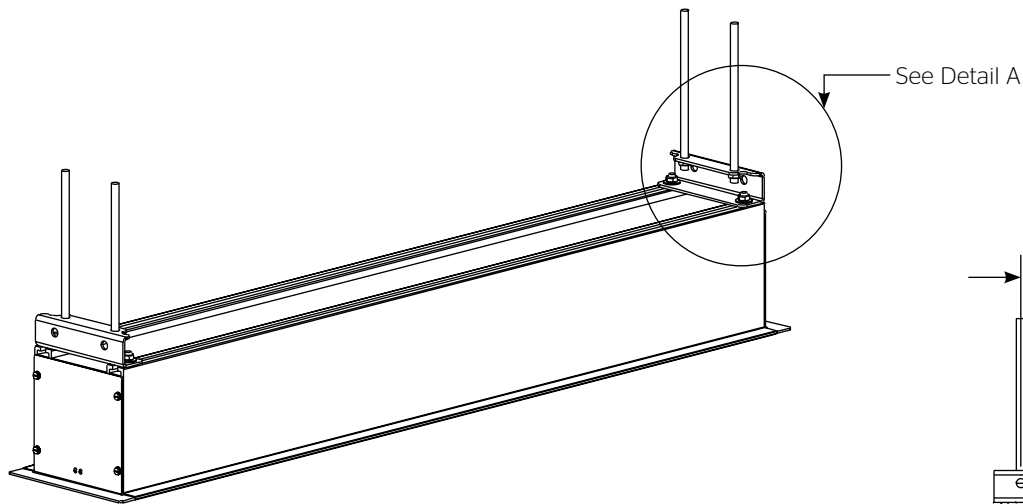
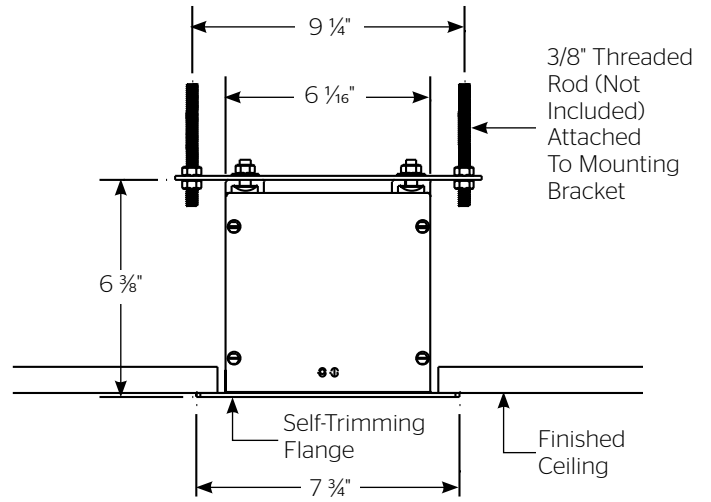
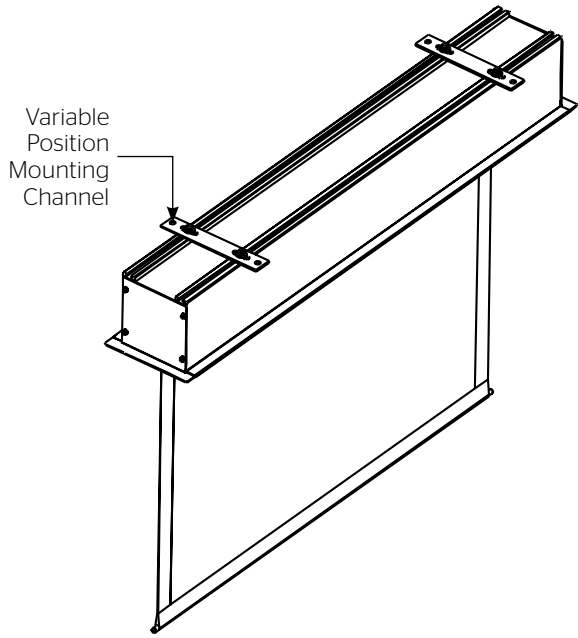


Figure 2



# Advantage® Manual Installation



## Troubleshooting

Symptom	Cause	Solution
<b>Screen is retracting too slowly. Over 8 seconds retracting from the bottom into the case.</b>	The CSR adjustment is not correct.	Retract screen completely, and then rotate CSR shaft 1/2 turn at a time counterclockwise.
<b>Screen is retracting too fast. Under 3 seconds retracting from the bottom into the case.</b>	The CSR adjustment is not correct.	Retract screen completely, and then rotate CSR shaft 1/2 turn at a time clockwise.
<b>Screen is retracting too slowly, and then slams the case when adjusted counterclockwise.</b>	The CSR unit (shock absorber) is too strong.	Reset the CSR unit. Call Da-Lite (800-622-3737) for detailed instructions.
<b>Screen does not retract.</b>	Retraction procedure*.	Pull the screen down, and then retract firmly and quickly.
	The CSR has been over adjusted counterclockwise.	The CSR unit is jammed. Reset or replace the CSR unit. Call Da-Lite (800-622-3737) for detailed instructions.
	The roller tube is bent and binding.	Replace the screen.
<b>Screen does not stay down.</b>	Locking procedure.	Pull the screen down, and then slowly retract until it locks.
	Dog is not locking.	Retract screen completely, and then rotate CSR shaft 1/2 turn counterclockwise.

## LIMITED ONE YEAR WARRANTY ON DA-LITE PRESENTATION PRODUCTS

Milestone AV Technologies LLC warrants certain Da-Lite branded products to the original purchaser only, to be free from defects in materials and workmanship for a period of one (1) year from the date of purchase by the original purchaser; provided they are properly operated according to Da-Lite's instructions and are not damaged due to improper handling or treatment after shipment from the factory.

This warranty does not apply to equipment showing evidence of misuse, abuse or accidental damage, or which has been tampered with or repaired by a person other than authorized Da-Lite personnel.

Da-Lite's sole obligation under this warranty shall be to repair or to replace (at Da-Lite's option) the defective part of the merchandise. Returns for service should be made to your Da-Lite dealer. If it is necessary for the dealer to return the screen or part to Da-Lite, transportation expenses to and from Da-Lite are payable by the purchaser and Da-Lite is not responsible for damage in shipment. To protect yourself against damage or loss in transit, insure the product and prepay all transportation expenses.

**TO THE MAXIMUM EXTENT PERMITTED BY APPLICABLE LAW, THIS WARRANTY IS IN LIEU OF ALL OTHER WARRANTIES, EXPRESS OR IMPLIED, INCLUDING WARRANTIES AS TO FITNESS FOR USE AND MERCHANTABILITY.** Any implied warranties of fitness for use, or merchantability, that may be mandated by statute or rule of law are limited to the one (1) year warranty period. This warranty gives you specific legal rights, and you may also have other rights, which vary from state-to-state. **TO THE MAXIMUM EXTENT PERMITTED BY APPLICABLE LAW, NO LIABILITY IS ASSUMED FOR EXPENSES OR DAMAGES RESULTING FROM INTERRUPTION IN OPERATION OF EQUIPMENT, OR FOR INCIDENTAL, DIRECT, OR CONSEQUENTIAL DAMAGES OF ANY NATURE.**

In the event that there is a defect in materials or workmanship of a Da-Lite product, you may contact our Customer Care Specialists at 3100 North Detroit Street, Warsaw, IN 46582, (574) 267-8101, (800) 622-3737.

**IMPORTANT: THIS WARRANTY SHALL NOT BE VALID AND DA-LITE BRANDED PRODUCTS SHALL NOT BE BOUND BY THIS WARRANTY IF THE PRODUCT IS NOT OPERATED IN ACCORDANCE WITH THE DA-LITE WRITTEN INSTRUCTIONS.**

Keep your sales receipt to prove the date of purchase and your original ownership.



**A BRAND OF MILESTONE AV TECHNOLOGIES** | [www.milestone.com](http://www.milestone.com)

**P** 800.622.3737 / 574.267.8101 **F** 877.325.4832 / 574.267.7804

**E** [info@da-lite.com](mailto:info@da-lite.com)

In British Columbia, Milestone AV Technologies ULC carries on business as MAVT Milestone AV Technologies ULC.

©2016 Milestone AV Technologies. DL-0281 (Rev. 2) 1116.

Da-Lite is a registered trademarks of Milestone AV Technologies. All other brand names or marks are used for identification purposes and are trademarks of their respective owners. All patents are protected under existing designations. Other patents pending.