

Installation/Operating Instructions

Paragon/Series E and V by Draper

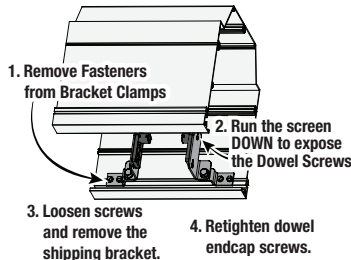
⚠ Caution

- ① Read instructions through completely before proceeding.
 - ② Follow instructions carefully. Installation contrary to instructions invalidates warranty.
 - ③ Pick up screen case from **ends only**. Picking case up at other points **will damage case and may damage fabric**.
 - ④ To insure a safe installation, the **entire weight** of the unit **MUST BE** supported by the end-plates.
 - ⑤ Entire bottom of screen case should be unobstructed to permit access to bottom panel for making electrical connections or servicing.
 - ⑥ Screen should be installed level (using a carpenter's level).
 - ⑦ Operating switch(es) packed separately in screen carton. Do not discard with packing material.
 - ⑧ Screen operates on 110-120V, 60 Hz., 2.5 amp current draw.
- NOTE:** Screen has been thoroughly inspected and tested at factory and found to be operating properly prior to shipment.

Removing Shipping Brackets

DO NOT OPERATE SCREEN BEFORE REMOVING THESE SHIPPING BRACKETS FROM THE SCREEN CASE

- ① Loosen and remove fasteners from both bracket clamps that are attached to the screen case.
- ② Run the screen **DOWN** to expose bracket clamp fasteners attached to the screen dowel.
- ③ Loosen screws holding bracket to dowel endcap enough to remove the bracket.
- ④ Re-tighten dowel endcap screws.



Mounting Screen

Regardless of mounting method used, the following points apply:

- ① Screen should be lifted into position **only by the end mounting brackets**. **Keep case level by lifting end plates simultaneously to prevent surface damage. Draper provides eyebolts to use in hoisting the screen. DO NOT use eyebolts to mount screen. Using both mounting holes in the mounting brackets makes for a much more stable installation. Never attempt to lift screen along its length.**
- ② The **entire weight** of the unit **MUST BE** supported by the end plates to provide a secure installation. Anchoring of the intermediate case support brackets is typically only needed to reduce any visible case deflection when the unit is mounted into a ceiling pocket or ceiling tile opening. For installations that are not recessed, the amount of case deflection is usually not noticeable.
- ③ Screen should be positively and securely supported so that vibration or even abusive pulling will not weaken installation.
- ④ Installer must insure that fasteners used are of adequate strength and suitable for the mounting surface chosen. **Installer must also insure that wall or ceiling structure are of adequate strength.** Supporting hardware (chains, cables, rods, etc.) must be essentially vertical.
- ⑤ Entire bottom of case must be readily accessible after installation is complete.
- ⑥ Front, back and top of case must be straight—not forced to warp or bow. Use threaded rod and support brackets to keep large cases from warping. **DO NOT use support brackets to support the weight of the screen.**
- ⑦ Do not use case to support adjacent sections of ceiling.
- ⑧ If optional ceiling flange trim kits are attached, use hardware provided.
- ⑨ If case is painted, slots on bottom of case should be shielded to protect viewing surface from paint splatters or overspray.
- ⑩ After the case is mounted, and before the screen is operated, you will need to remove the shipping spacers from inside the case. First, remove the closure panel (see instructions on page 2). You will find the hexagonal spacers on the motor end—one in front of the roller and one behind (see Fig. 1). Remove the black hexagonal spacers with a wrench, taking care not to damage the fabric or loosen the wiring (see caution note below). Replace the closure panel.



Figure 1 (roller and fabric removed for clarity)

Caution: Screen is shipped with motor wiring mounted to the case. Be careful not to pull the wiring loose from the case while removing the spacers—if wiring is loose, it could be damaged during screen operation. If wiring does come loose, re-mount as it was.

- ⑩ Do not seal unit in ceiling until electrical connections have been made and screen has been operated successfully.

Electrical Connections

Screen operates on 110-120V, 60 Hz., 2.5 amp current draw.

Junction box is located just above the closure panel, at the motor end of screen (left hand motor location only on Paragon). To properly remove closure panel, two people should follow the steps on page two of these instructions. The junction box access plate is held closed with pan head screws and may be opened with a Phillips screwdriver. Removal of access plate exposes red, black and white pigtail leads and green internal ground wire per attached wiring diagram.

Screen is shipped with internal wiring complete and control switch(es) fully boxed. Wire connecting screen to switch(es) and switch(es) to power supply should be furnished by installer. Connections should be made in accordance with attached wiring diagram, and wiring should comply with national and local electrical codes.

⚠ All operating switches should be "off" before power is connected. Please Note: Do not wire motors in parallel.

Operation

Caution: Rough handling in transit may cancel/reset motor limit settings. To prevent viewing surface damage, be prepared to stop descending screen if surface begins to retract instead of stopping or if motor does not shut off when screen has fully retracted into case. When screen is first operated, **be cautious!**

Cycle unit down and up several times to confirm satisfactory operation.

110-120V SINGLE STATION CONTROL—

3-position UP-OFF-DOWN switch permits operation to be stopped at any point. Factory adjusted limit switches automatically stop screen when fully down or fully up.

110-120V MULTIPLE STATION CONTROL—

Switches are similar in appearance to 110-120V Single Station Control. Screen stops when switch is released and may be restarted in either direction. Factory adjusted limit switches stop screen automatically when fully down or fully up.

24V MULTIPLE STATION CONTROL—

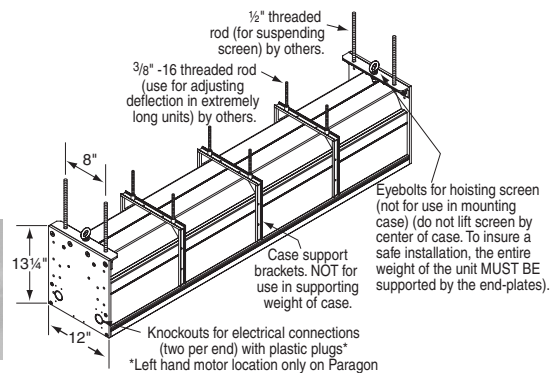
Three-button UP-STOP-DOWN switches stop at any point desired, operate in any sequence. Factory adjusted limit switches automatically stop screen when fully down or fully up.

KEY OPERATED SWITCHING—

- Two kinds of key-operated switches are optionally available with this unit.
- ① The key-operated power supply switch controls power to the screen and switches. When it is "off", the switches will not operate screen. Key may be removed from the switch in either "on" or "off" position.
 - ② A three-position key switch permits the screen to be operated directly by key. In this case, the screen's operator must always have a key.

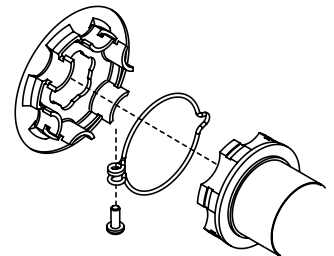
RS232/Ethernet—

Serial communication and network communication optionally available with wall switches, RF or IR remote.



Suitable for use in environmental air space in accordance with Section 300-22(c) of the National Electrical Code, and Sections 2-128, 12-010(3) and 12-100 of the Canadian Electrical Code, Part 1, CSA C22.1.

Caution: Do not remove the roller assembly from the case unless necessary for repairs. If the roller assembly is removed, be sure motor is fully re-seated in the bracket, and re-secure it carefully with the motor retaining spring and screw (see diagram below).



Please note: Maximum torque for tightening screw is 5 lb-inches.



411 S. Pearl St., Spiceland, IN 47385 USA ■ 765-987-7999
www.draperinc.com ■ fax 765-987-7142

Copyright © 2017 Draper Inc.

Form ParagonEV_Inst17

Printed in U.S.A.

If you encounter any difficulties installing or servicing your Paragon screen, call your dealer or Draper, Inc., Spiceland, Indiana, (765) 987-7999 or fax (765) 987-7142.

Limit Adjustments

Please Note: Screen limits are factory set for optimum performance of the screen. A procedure is outlined below for minor tweaks, but any adjustment of these limits may negatively affect the flatness of the screen surface and could also void the warranty. Please check with Draper prior to resetting screen limits.

CAUTION: Always be prepared to shut screen off manually when new adjustment is being tested. Screen may be severely damaged if viewing surface is allowed to run too far up or too far down.

CAUTION: Be sure all switches are in "off" position before adjusting limit switches.

ADJUSTING "FULLY UP" POSITION— Remove yellow limit switch cover. Put a small screw driver in the groove of the yellow button on the motor and press vertically until hearing a "click". Raise the screen by pressing the "up" switch on unit. Press the "stop" switch when the screen is at the desired position. Then press the yellow button on motor until you hear a "click", then release. Replace limit switch cover.

ADJUSTING "FULLY DOWN" POSITION— Remove yellow limit switch cover. Put a small screw driver in the groove of the white button on the motor and press vertically until hearing a "click". Lower the screen by pressing the "down" switch on unit. Press the "stop" switch when the screen is at the desired position. Then press the white button on motor until you hear a "click", then release. Replace limit switch cover.

AT NO TIME SHOULD SCREEN BE UNROLLED ENOUGH TO EXPOSE ANY PART OF SCREEN ROLLER.

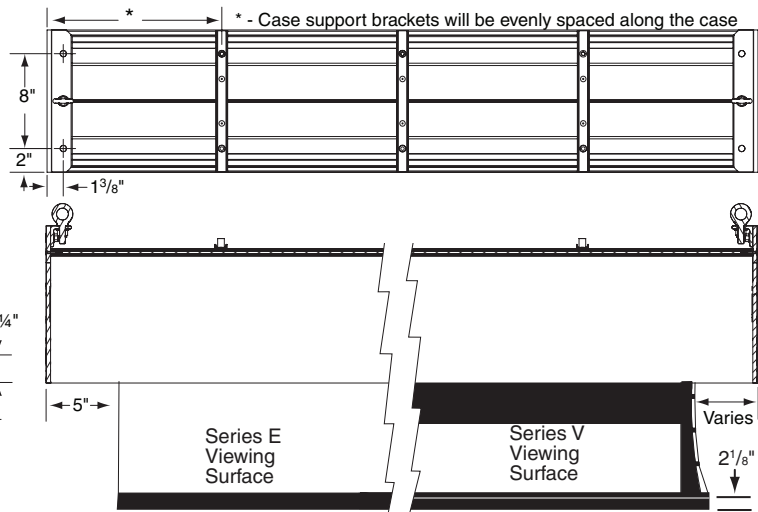
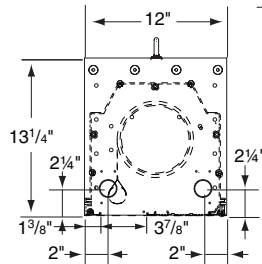
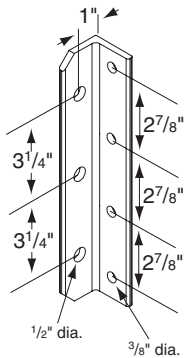
CAUTION: Do NOT allow the dowel to wrap up over the roller when the screen is running up! This could damage the screen.

Case Dimensions*

Case Width	No. of Intermediate Brackets
< 96"	0
> 96" and < 180"	1
> 180" and < 240"	2
> 240" and < 346"	3

Brackets are equally spaced from each other and each end. For example, if the case length is 202", then each of the two brackets will be placed approximately 67.33" from each end (with 67.33" between them).

Optional Wall Mounting Bracket



*Please Note: Optional wall brackets add 1 1/4" per bracket to case length. Wall mounting bracket hole location is 1" from end of case.

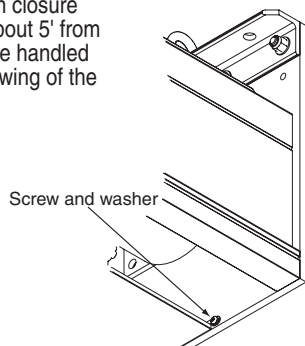
Bottom Closure

Removal/Replacement

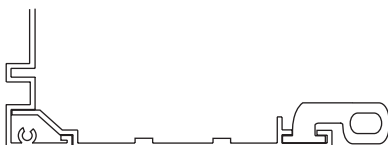
Removal and replacement of the bottom closure panel requires two people positioned about 5' from each end of the panel. Closure should be handled as shown in Step 5 below to prevent bowing of the closure during handling.

Step 1

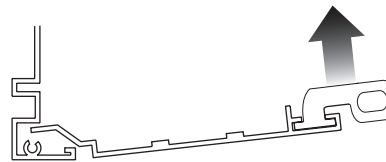
Before removing bottom closure, you must first remove screws at each end of case (see drawing at right).



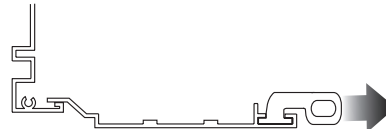
Step 2



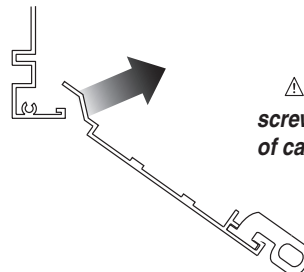
Step 3



Step 4



Step 5



CAUTION: Be sure to replace screws and washers at each end of case when replacing closure!

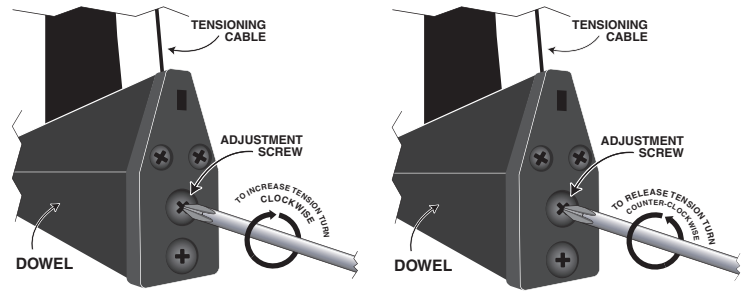
Tab-Tension Adjustment Procedure

Draper's Tab-Tensioning System is factory-set, and under normal circumstances will not require field adjustment.

If, however, you notice wrinkles, waves or other indications that the tensioning cables need to be adjusted, follow the procedure below.

- ① Determine which side requires adjustment.
- ② Secure dowel with one hand.
- ③ Using Phillips-head screwdriver, depress spring-loaded adjustment screw and slowly turn **CLOCKWISE TO INCREASE** tension, or **COUNTER-CLOCKWISE TO RELEASE** tension. The screw adjusts in 60° turn increments. Adjust only **one increment (60° turn) at a time**
- ④ If problem is not corrected, leave screen in position for 24 hours to allow surface material to stretch into position.
- ⑤ If problem still is not corrected, repeat steps 2 and 3.

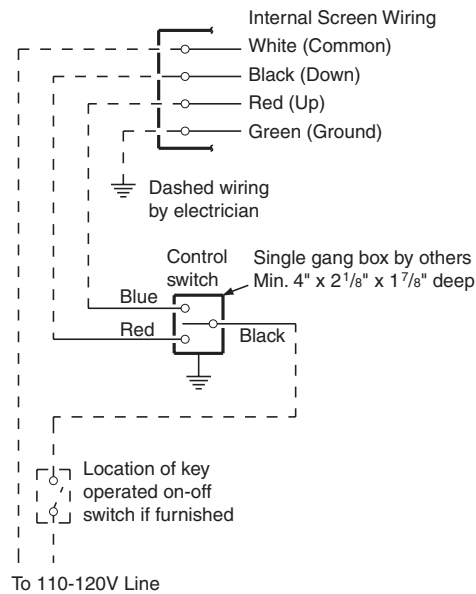
⚠ Caution: Do not touch or bend surface.



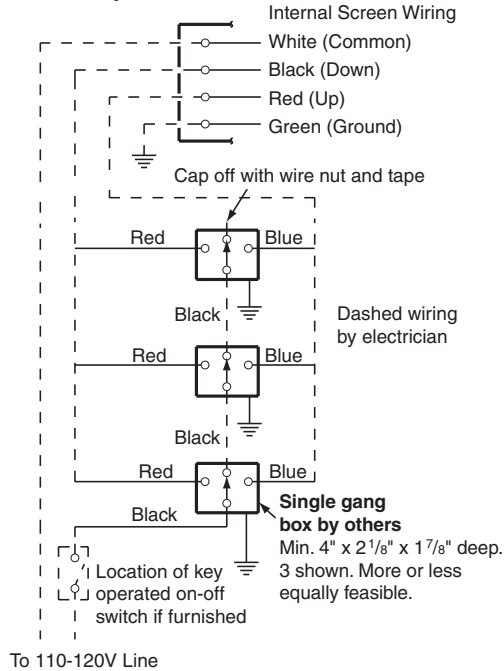
Wiring Diagrams

Please Note: Do not wire motors in parallel.

Single Station Control



Multiple Station Control



External LVC-IV - Single or Multiple Projection Screen Wiring Diagram

INTERNAL SCREEN WIRING

