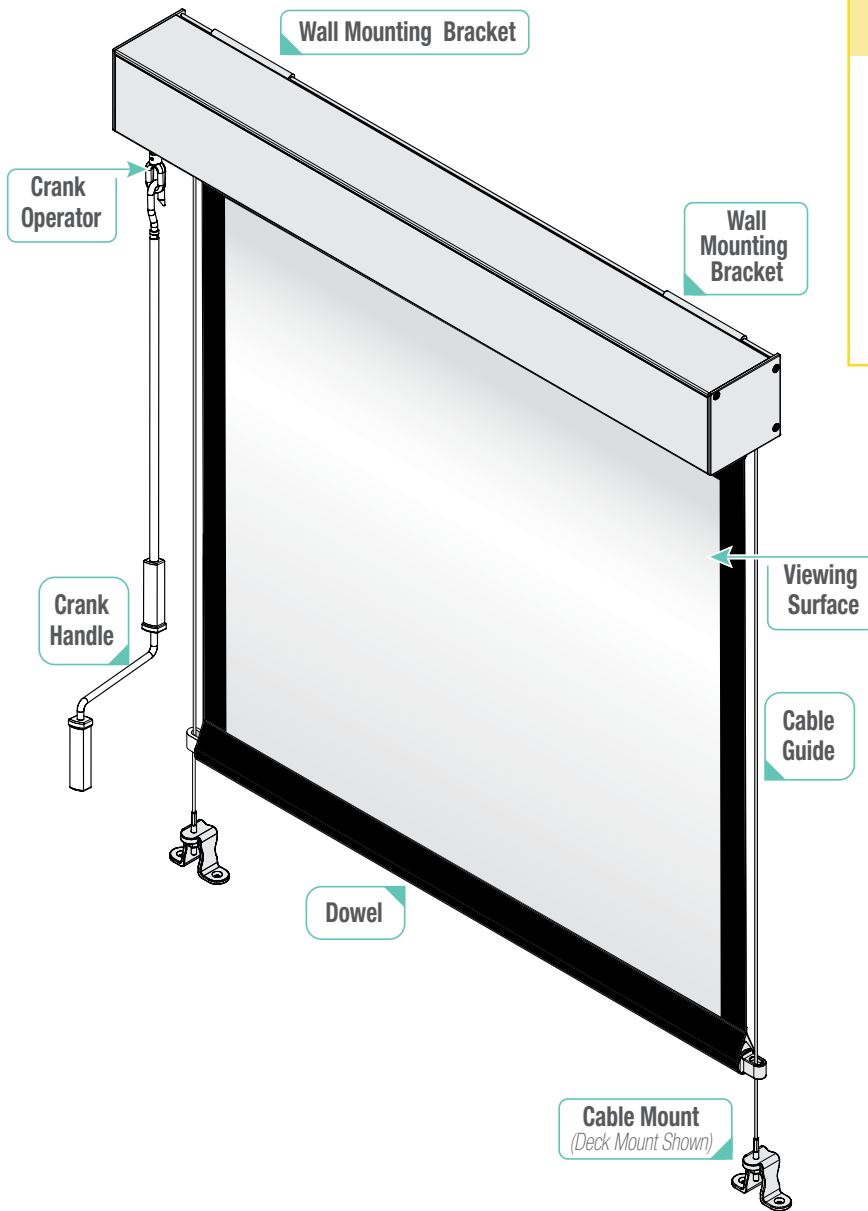


Crank Operated Exterior Projection Screen



CAUTION

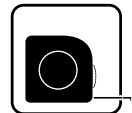
1. Inspect all boxes to make sure you have received the proper screen and parts. Controls may be shipped separately, or in same carton as screen.
2. Open cartons lengthwise.
3. All hardware must be installed level. Screen must be level and square.
4. It is the installer's responsibility to make sure appropriate fasteners are used for mounting surface.
5. Please read the following installation guidelines thoroughly and follow them carefully. Failure to do so invalidates warranty.

Please Note: Custom products/installations may not be reflected by this document. Call Draper, Inc. if you have questions about your installation.

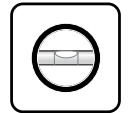
TOOLS REQUIRED



Pencil



Tape Measure



Level



Power Drill



Hardware (by Others)

Section 1 - Preparation of Installation

1. Make sure mounting surface is strong enough to hold the Nocturne+.

Please Note: It is the responsibility of installer to use appropriate fasteners for the mounting surface.

2. Verify unit measurements, and make sure it will fit in the desired location.

Please Note: The Dowel does not retract into the Case. This will need to be accounted for if mounting over a swinging window or door.

3. Mounting brackets **MUST** be installed with a gap of 1 $\frac{3}{4}$ " (45mm) between the End Cap and the Mounting Bracket edge (See Fig. 1). Mark wall, jamb or ceiling.
4. Drill small starter holes (if necessary) in mounting surface.

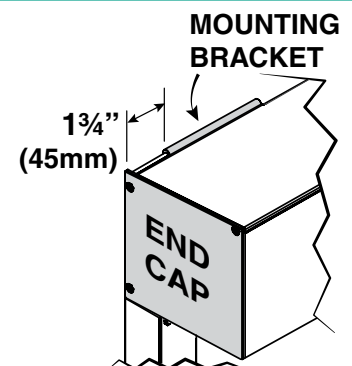


Figure (1)

Section 2 - Mounting Case with Brackets - Wall Installation

Attaching Mounting Brackets

1. Attach mounting brackets to the wall using #10 flat head screws installed flush with bracket. Be sure to use AT LEAST 2 of the top mounting holes (See Fig. 2).

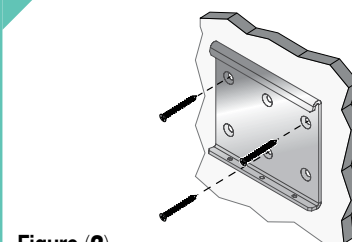


Figure (2)

Attaching Case to Mounting Brackets

1. Attach Case to brackets and tighten Set Screws (See Fig. 3).
2. You are now ready to mount the Side Cables (See Page 3).

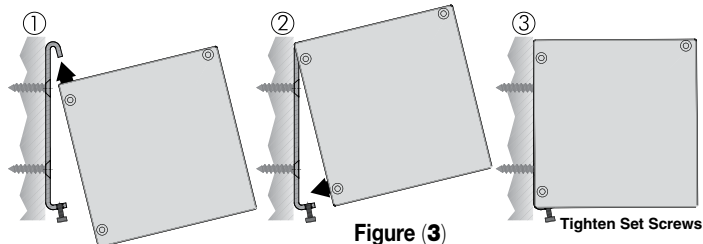


Figure (3)

Section 3 - Mounting Case - Permanently to Ceiling or Wall

Attaching Mounting Brackets to Case

1. Attach Mounting Brackets to the Case as a spacer between the Case and the wall.

Please Note: Leave a 1¼" (45mm) gap between End Cap and Mounting Bracket (See Fig. 4), and tighten set screws.

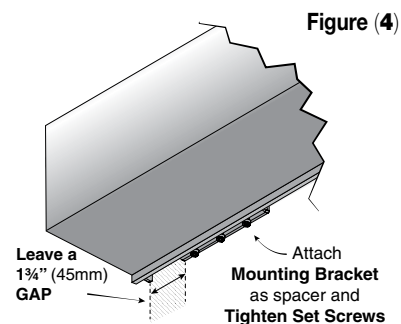


Figure (4)

2. Removing Roller Assembly

- A. Remove screws from bottom of Case, remove Front cover and set aside.
- B. Remove Quick Release Pin from Idler End of Roller Assembly.
- C. Remove Roller Assembly, Idler End first, and set aside.

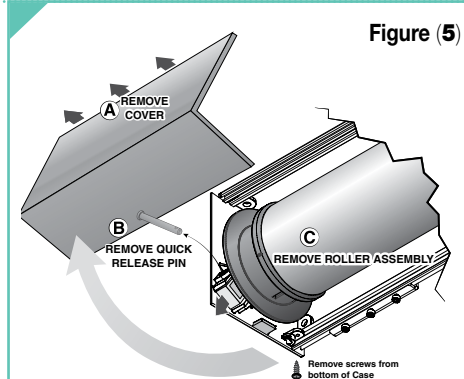


Figure (5)

3. Mounting to Ceiling / Wall

Using the mounting holes in the end caps as a guide (See Fig. 6), drill pilot holes on both ends of the Case. Attach to mounting surface using appropriate fasteners.

Please Note: It is the responsibility of installer to use appropriate fasteners for the mounting surface.

4. Once the Case is secured to the mounting surface, re-install Roller Assembly*, Quick Release Pin and Front cover.
5. You are now ready to mount the Side Cables (See Page 3).

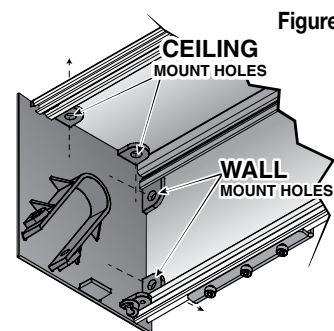


Figure (6)

Section 4 - Installing Cable Guides

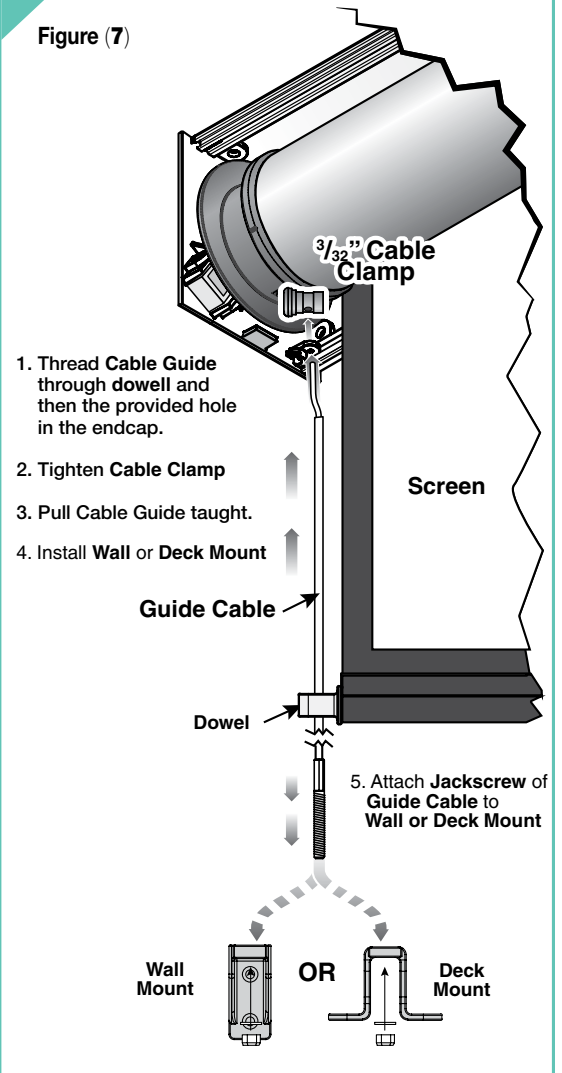
Before Installing the Cable Guides, remove the Roller assembly from the Case. (See **Removing Roller Assembly** section on Page 2).

1. Thread Cable Guide through dowel and then the provided hole in the endcap (see Figure 7).
2. Tighten the Cable Clamp. It should rest on the endcap with no slack or kinks in the cable guide.
3. Pull the Cable Guide taut and parallel with edge of the fabric panel. Determine the location of the Wall or Deck Mount.
4. Attach Wall or Deck Mount to surface using appropriate hardware.
5. Insert the Jackscrew end of the Cable Guide into the Wall/Deck Mount. Tension to 8 in-lbs, so the screen will move up and down easily along the cable.

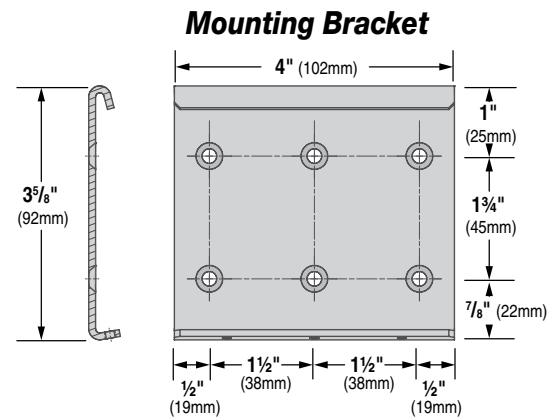
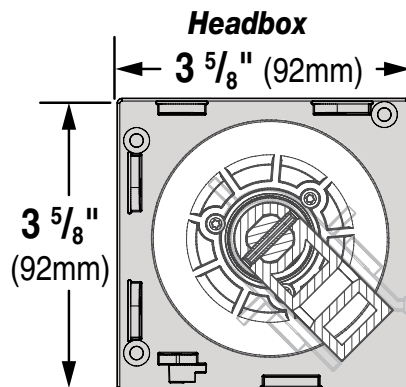
Please Note: Depending on the height of the screen, you may need to adjust where the Cable Clamp is located on the Cable Guide.

6. Cut off the excess cable.
7. Repeat on the opposite side of the screen.

Figure (7)

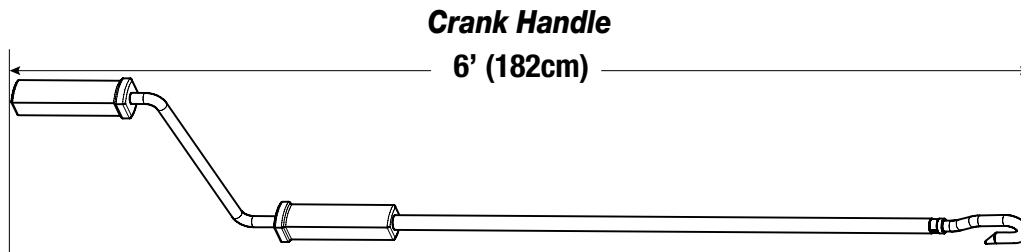


Section 9 - Component Dimensions



NOTE: Mounting brackets attach to surface with #10 Flat Head Screw

Section 9 continued - Component Dimensions



Section 10 - Assembled Dimensions

