

Instructions d'utilisation

Traveller Portable Projection Screen by Draper

⚠ Caution

- ① Read instructions through completely before proceeding, and save for future reference.
- ② Nothing should be fastened to screen case or viewing surface.
- ③ Do not write on viewing surface.
- ④ Do not let go of the screen handle when collapsing the screen; damage to the screen could result. Slowly allow the screen to roll into the case.
- ⑤ Do not use solvents or abrasives for cleaning.
- ⑥ Beware of pinching hands and fingers when adjusting upright.

NOTE: Screen has been thoroughly inspected and tested at factory and found to be operating properly prior to shipment.

Setting Up the Screen

- ① Rotate legs (attached to bottom) until they are perpendicular to screen case (see Fig. 1).

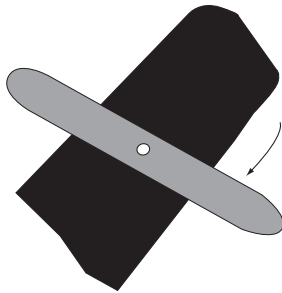


Figure 1

- ② Rotate carrying strap so it does not interfere with opening case. You can also remove the carrying strap by sliding down then off (see Fig. 2).

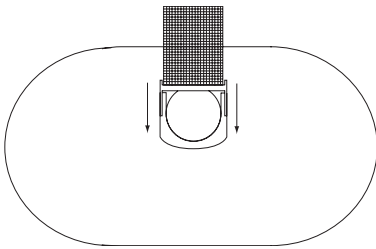


Figure 2 (side view)

- ③ Unlatch and open screen case.
- ④ Remove upright from clips in case behind screen.
- ⑤ Place upright in upright stand, located inside case and centered on back of screen. Adjust upright according to necessary screen height (see Fig. 3).

Loosen screws and use slots to adjust angle of upright. Retighten after adjustment.

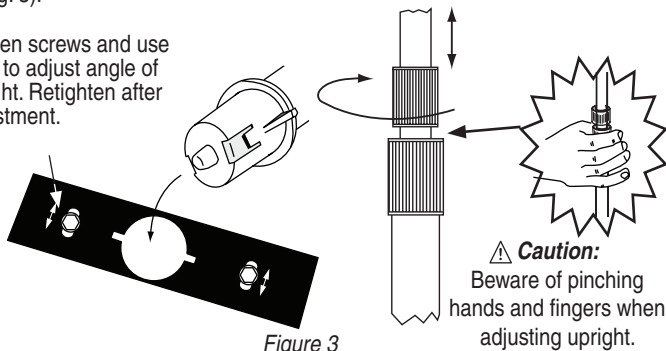


Figure 3

- ⑥ Grasp screen bail and pull up in steady motion to raise screen. Hook bail onto upright gooseneck (see Fig. 4). Adjust upright again if necessary.

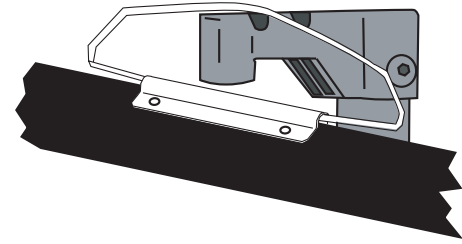
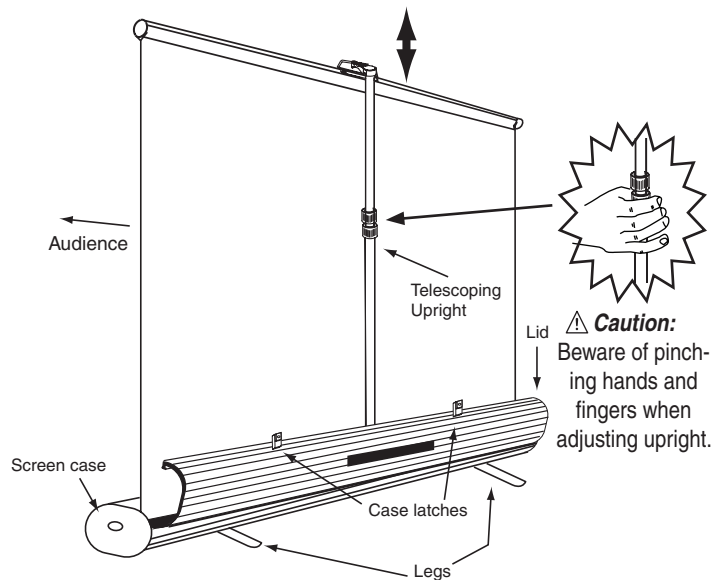


Figure 4

Collapsing the Screen

- ① Generally reverse procedures used for screen setup.
- ⚠ Caution:** Do not let go of the screen bail when collapsing the screen; damage to screen could result. Slowly allow screen to roll into the case.



Troubleshooting

Screen will not fully extend:

Make sure the screen surface is not "catching" on anything. Make sure case lid is fully open. Make sure roller is properly seated.

Screen will not close:

Check roller to make sure nothing is interfering with operation.

Screen tips forward or backward:

Make sure legs are perpendicular to screen case. If they are, screen may be located on too severe an incline.

Case Latches will not open:

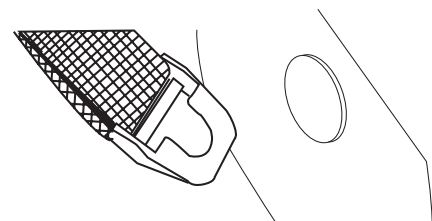
Press gently down on screen case just above each latch while opening.

Case Latches will not close:

Press gently down on screen case just above each latch while closing.

Carrying strap will not rotate out of the way so case will open:

Loosen or remove carrying strap altogether (see below).



DRAPER®

411 S. Pearl St., Spiceland, IN 47385 USA ■ 765-987-7999
www.draperinc.com ■ fax 765-987-7142