



# BrightEye™ 15

## SDI to Analog Converter with Frame Sync/Genlock User Guide

**ENSEMBLE**

D E S I G N S

Revision 3.0 SW v1.0.1

This user guide provides detailed information for using the **BrightEye™ 15** SDI to Analog Converter with Frame Sync/Genlock module.

The information is organized into the following sections:

- Product Overview
- Functional Description
- Applications
- Rear Connectors
- Operation
  - Front Panel Controls and Indicators
  - Using The BrightEye Control Application
- Warranty and Factory Service
- Specifications
- Glossary

## PRODUCT OVERVIEW

BrightEye™ 15 provides digital to analog conversion with a timeable output. It is perfect for feeding composite analog switchers and routers where timing to a reference is required. In addition, the conversion process provides 12 bit output reconstruction with 8X oversampling for a clean output.

The BrightEye 15 has an SDI video input and a reference input. The input signal is converted to analog composite and synchronized (genlocked) to the reference signal. The analog composite output is fully timed with respect to the reference including ScH phase.

Basic controls are accessed on the front panel. The BrightEye Control application provides access to video proc and input/output controls not available from the front panel.

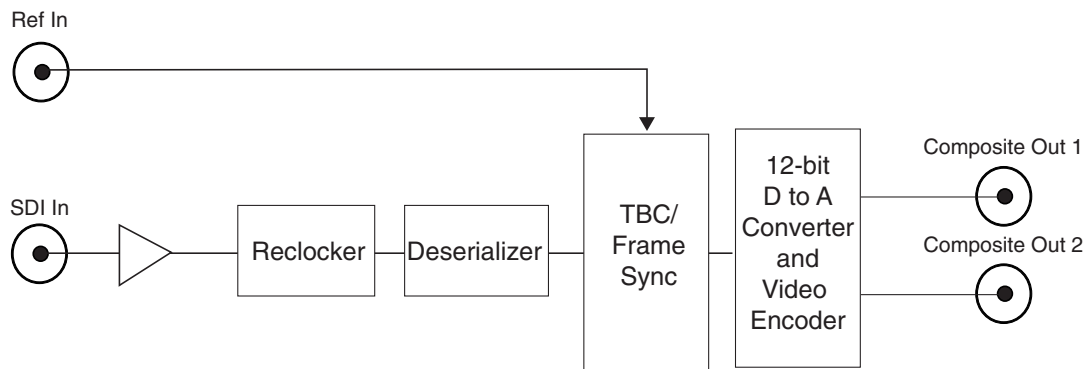
A glossary of commonly used video terms is provided at the end of this user guide.

## FUNCTIONAL DESCRIPTION

As shown in the functional block diagram below, serial digital video input is fed to the converter unit on a single BNC connector. The SDI input is routed to the reclocking and deserializing circuitry before entering the TBC/Frame Synchronizer where the external Ref In signal provides a timing reference.

The video is then sent to a 12 bit D-to-A converter. The converted analog signal is then encoded to PAL or NTSC analog video depending on the line rate of the input. During this stage, proc amp adjustments can be made for the correct output levels. Two composite out BNCs are provided at the output.

BrightEye 15 is powered by a 12 volt DC universal power supply. This power supply can accept an input voltage between 90 and 230 volts, at 50 or 60 Hertz. It uses a standard IEC line cord and can be used anywhere in the world. It is normal for the converter to be quite warm to the touch when operating.



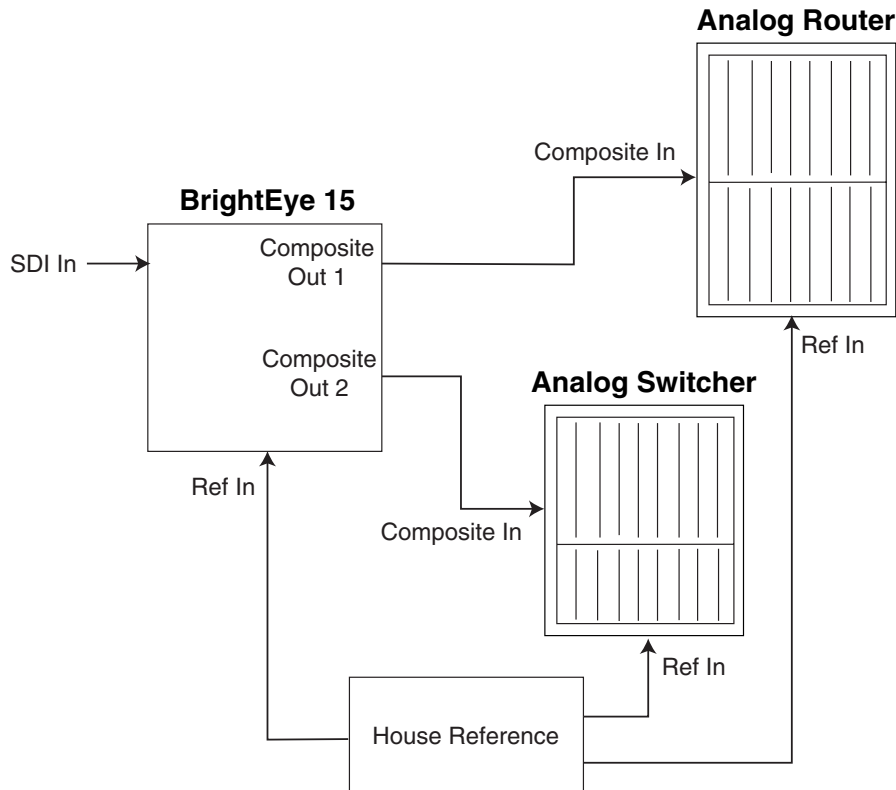
**BrightEye 15 Functional Block Diagram**

## APPLICATIONS

The versatility of BrightEye 15 can be utilized in a number of different applications where conversion of SDI to analog video with timing is required. An example of using BrightEye 15 is given below.

### D-to-A Conversion with Genlocked Outputs

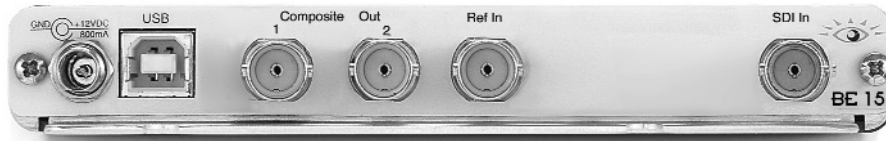
This application, shown in the illustration below, utilizes the full functionality of BrightEye 15 by using the converted SDI input to feed two analog destinations such as a video router and switcher all in time with a house reference fed to the BrightEye unit and the other devices.



**D-to-A Converter with Genlocked Outputs**

## REAR CONNECTORS

All connections to the BrightEye 15 converter are made on the rear of the unit. Refer to the illustration below.



**BrightEye 15 Rear Connectors**

### Power Connection

Connect a modular power supply to the 12 volt DC power input connection on the far left of the unit. Use the locking ring to secure it.

### USB Connector

The USB connector is used to provide more comprehensive control, diagnostics, and upgrades to the unit from a PC or Mac. Use the BrightEye Control application included on CD-ROM to make adjustments as described in the **OPERATION** section of this user guide.

### Input/Output BNCS

There are four rear BNC connectors which are used as inputs and outputs as follows:

#### **SDI In**

This BNC input accepts a SMPTE 259M serial digital component signal, 525 or 625 line standard.

#### **Ref In**

For synchronizing (genlocking) the input signal to an external reference, connect a composite video (PAL or NTSC with the same line rate as the input video) to the Ref In BNC.

#### **Composite Out 1 and 2**

Two timed composite outputs are provided for feeding analog destinations. The PAL or NTSC standard output follows the input standard and must be the same standard as the reference, if one is used.

## OPERATION

Control and operation of the BrightEye 15 converter is performed from the front panel or remotely from a personal computer with the BrightEye Control application.

**NOTE:** Some control settings are only available with BrightEye PC or Mac. These parameters cannot be monitored or controlled from the front panel.

### Front Panel Controls and Indicators

The front panel of the converter, shown in the figure below, provides status and control indicators for the module.



**BrightEye 15 Front Panel**

### Status Indicators

The following status indicators are provided on the front panel:

#### **In**

Illuminates green when an input for is detected on the **SDI In** BNC connector.

#### **Ref (Reference)**

Illuminates green when a valid reference is detected on the **Ref In** BNC connector.

#### **Pwr (Power)**

Illuminates green when power is applied to the converter and the internal voltage regulator is functioning correctly

## ADJUSTING PARAMETERS FROM THE FRONT PANEL

Use the **Mode**, **Right Arrow**, and **Left Arrow** buttons to select and adjust parameters from the front panel.

Pressing the **Mode** button activates the front panel for editing and tabs between each section of editable parameters.

Pressing the **Right Arrow** or **Left Arrow** advances the selection within a given section of parameters, or increases (Right Arrow) or decreases (Left Arrow) the value of a selected parameter.

**NOTE:** *The LED of an edited parameter will blink for 15 seconds, after which time its value is stored in memory. If power is interrupted before this 15 second timeout period has elapsed, the edited state will not be saved.*

The controls and their indicators are described below:

1. When the Frame Sync control is turned **On** and a proper reference signal is connected to the Ref In BNC, the video output of the unit will be synchronous and locked to the external reference. The output may be timed with respect to the Ref In using the timing controls. In this case, the unit will accept asynchronous video and time base errors will be corrected.
2. When the Frame Sync control is turned **On** and no reference signal is connected, the unit will act as a time base corrector only. The output will not be synchronous to any reference, including the input. This mode allows a noisy input signal to be time base corrected for a clean stable output.
3. When the Frame Sync control is turned **Off**, any reference signal to the Ref In BNC is ignored. The video input is synchronous to the video output when a nearly perfect, clean video input signal is present (no time base correction required).

The output timing of the module can be adjusted with the following controls when Frame Sync is enabled:

**Vert** – adjust the vertical timing in lines in reference to the Ref In.

**Hor** – adjust the horizontal timing in clocks in reference to the Ref In.

**Fine** – adjust the fine phase in subpixels in reference to the Ref In.

### **TBC/Frame Sync**

This control enables the Frame Sync genlock function when an external reference is present on the **Ref In** BNC.

### **Vid Gain**

This control adjusts the gain of the analog video signals in the Digital-to-Analog converter and encoder circuitry of the converter. The right arrow will increase the gain, the left arrow will decrease it. The **Vid Gain** indicator will illuminate green when the gain is set to its nominal or unity setting.

This is the setting which will produce correct analog output levels from a digital input source which itself is at proper level. The **Vid Gain** indicator will illuminate red whenever the control is adjusted either higher or lower than the nominal setting. The gain can be reset to nominal (green) by pressing both arrows simultaneously.

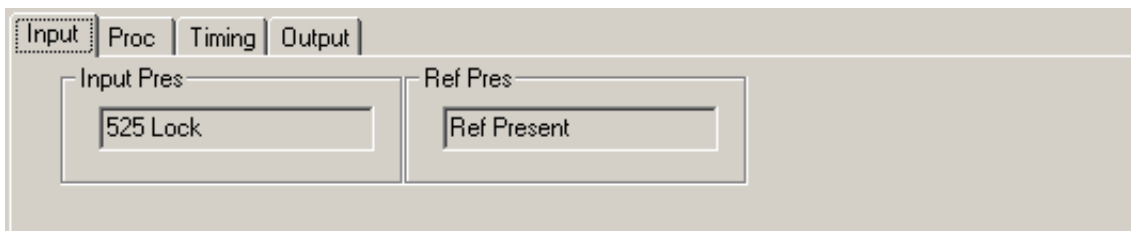
## USING THE BRIGHT EYE CONTROL APPLICATION

The BrightEye PC and BrightEye Mac applications included on CD-ROM are designed to allow you to configure and control the BrightEye 15 from a personal computer. Installation and instructions for using this software application are given in the PDF manual on disk.

If the BrightEye 15 is connected to a computer running this software, the following menus are available for controlling and monitoring the unit.

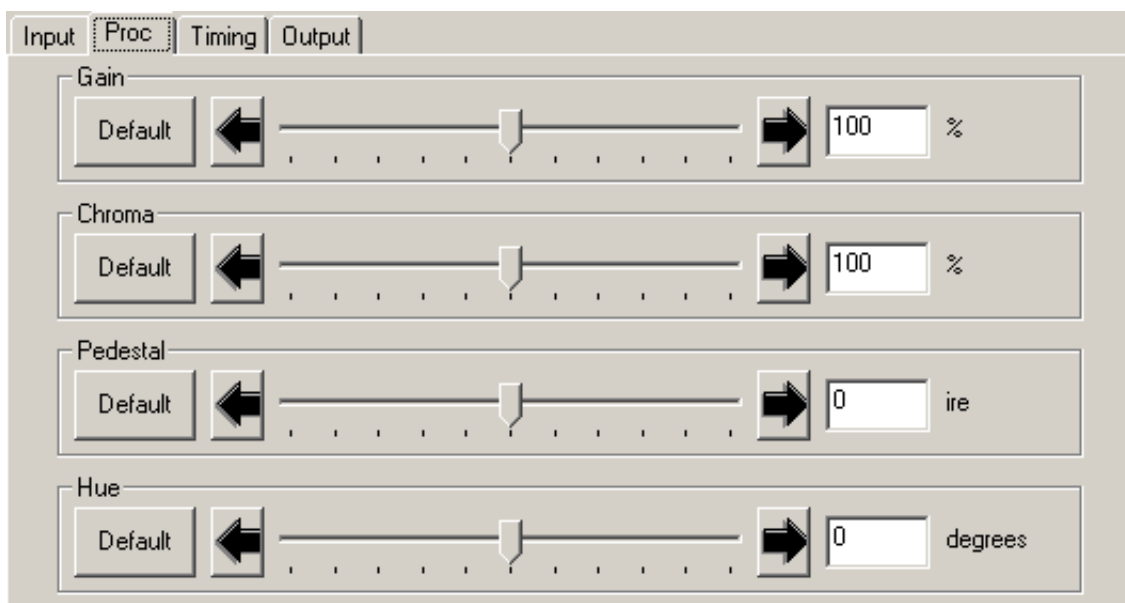
### Input Menu

- **Input Pres** – gives read-only status indication of input video presence (**None**, **525 Lock**, or **625 Lock**).
- **Ref Pres** – gives read-only status indication of reference video presence (**No Ref** or **Ref Present**).



### Proc Menu

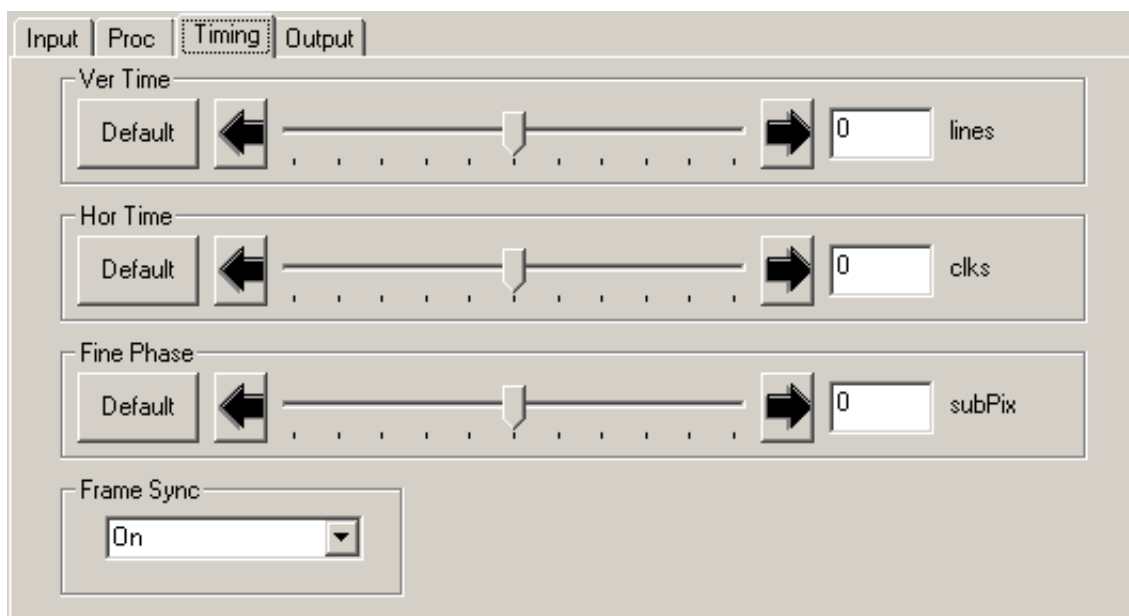
- **Gain** – adjust the overall gain of the signal from 50 to 150%.
- **Chroma** – adjust the chroma gain of the signal from 50 to 150%.
- **Pedestal** – adjust the pedestal level of the signal +/- 5 IRE.
- **Hue** – adjust the hue of the signal +/- 180 degrees.



### Timing Menu

Use the timing controls below when the Frame Sync function is **On**:

- **Ver Time** – adjust the vertical timing of the signal in lines in reference to the Ref In signal.
- **Hor Time** – adjust the horizontal timing of the signal in clocks in reference to the Ref In signal.
- **Fine Phase** – adjust the fine phase of the signal in subpixels in reference to the Ref In signal.
- **Frame Sync** – set the Frame Sync function **On** to genlock to the external reference input to the module and enable the timing controls or **Off** for no Frame Sync.

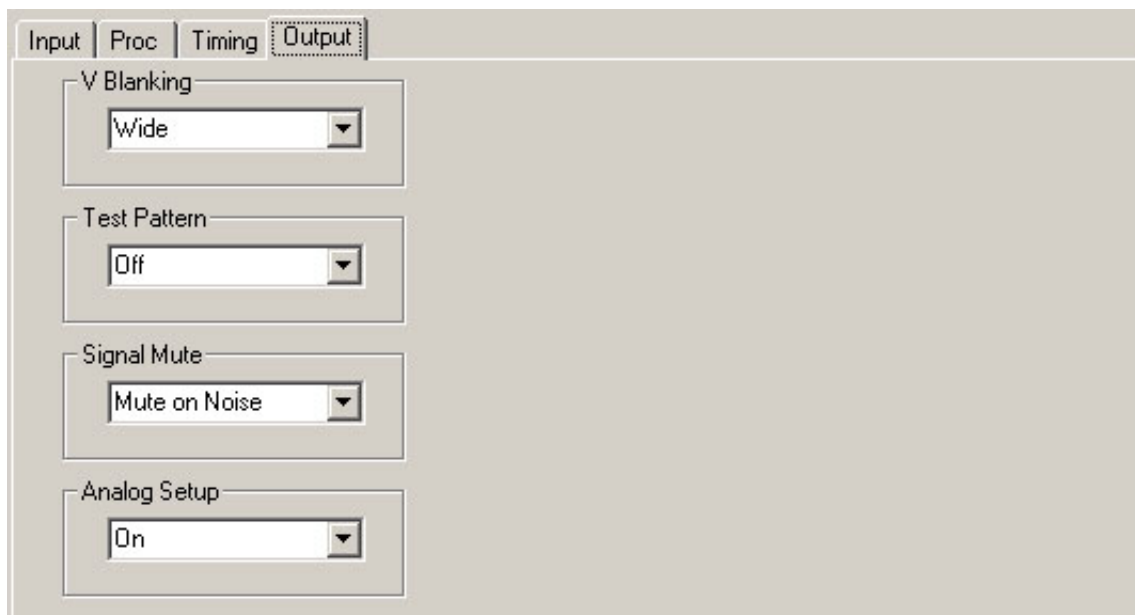




## Output Menu

Use the Output menu to set the following output conditions for the module:

- **V Blanking** – set the vertical blanking to **Narrow** (NTSC: lines 1-9, PAL: lines 1-6) or **Wide** (NTSC: lines 1-20, PAL: lines 1-22).
- **Signal Mute** – select the condition on which to mute the output signal from **No Muting**, **Mute On Noise**, or **Freeze on Noise**.
- **Test Pattern** – select a test pattern at the module output from **Black** or **Color Bars** or turn to **Off** for normal operation.
- **Analog Setup** – for NTSC output signals apply setup level to the output by selecting **On**. Set to **Off** if no setup is required.



## WARRANTY AND FACTORY SERVICE

### Warranty

Ensemble Designs, Inc. warrants this product to be free from defect in material and workmanship for a period of five years from the date of delivery. During this two year warranty period, Ensemble Designs, Inc. will repair any defective units at Ensemble's expense if the unit should be determined to be defective after consultation with a factory technician.

This warranty is not transferable. Any implied warranties expire at the expiration date of this warranty.

This warranty does not cover a defect that has resulted from improper or unreasonable use or maintenance as determined by us. This warranty is void if there is any attempt to disassemble or adjust factory set presets without factory authorization.

### Factory Service

If you require service (under warranty or not), please contact Ensemble Designs and ask for Customer Service before you return the unit. This will allow the service technician to provide any other suggestions for identifying the problem and recommend possible solutions.

You may also refer to the technical support section of the Ensemble web site for the latest information on your equipment at the URL below:

<http://www.ensembledesigns.com/support>

If you return equipment for repair, please get a Return Material Authorization Number (RMA) from the factory first.

Ship the product and a written description of the problem to:

Ensemble Designs, Inc.

Attention: Customer Service RMA #####

870 Gold Flat Rd.

Nevada City, CA 95959 USA

(530) 478-1830

Fax: (530) 478-1832

service@ensembledesigns.com

<http://www.ensembledesigns.com>

Be sure to put your RMA number on the outside of the box.

## SPECIFICATIONS

### Serial Input:

Number	One
Signal Type:	270 Mb/s Serial Digital (SMPTE 259M)
Impedance:	75 $\Omega$ , BNC
Return Loss:	> 15 dB
Max Cable Length	300 meters

### Reference Input:

Number	One
Signal Type:	1 V p-p Composite Video, PAL or NTSC
Impedance:	75 $\Omega$ , BNC
Return Loss:	> 40 dB

### Analog Video Output:

Number	Two
Type:	Composite PAL or NTSC (follows input)
Return Loss:	> 40 dB
Output DC:	< 100 mV

### SDI to Analog Performance:

Bit Resolution:	12 bit output reconstruction 8 X oversampling
Signal to Noise:	> 65 dB
Timing Window:	Infinite (with respect to reference)
Output Timing Resolution:	ScH Phase matches reference Adjustable to within 1 degree of subcarrier
Frequency Response:	$\pm 0.1$ dB, 0 to 5.5 MHz
K Factors:	< 1%
ScH Phase Error:	< $\pm 2$ degrees
Differential Phase:	< 1 degree
Differential Gain:	< 1%

### General Specifications:

Size:	5.625" W x 0.8 " H x 5.5" D (143 mm x 20 mm x 140 mm) including connectors
Power:	12 volts, 7 watts
Temperature Range:	0 to 40 degrees C ambient
Relative Humidity:	0 to 95% noncondensing

Due to ongoing product development, all specifications subject to change.

## **BRIGHTEYE POWER SUPPLY INFORMATION**

Below is a list of power supplies and optional items that may have come with your BrightEye:

### **BEPS**

BrightEye Individual Power Supply.

### **BEPS6**

Spider Power Supply. This powers 6 single high BrightEyes or 3 double high BrightEyes (BrightEye 90 family).

### **BEPS6-RP**

Redundant Power Supply for Spider.

### **BERKMT**

BrightEye Rack Mount. This holds 6 single high BrightEyes or 3 double high BrightEyes (BrightEye 90 family) or a combination.

### **BEBP**

BrightEye Blank Panel. Single high, for empty slots in Rack Mount.

### **BEAC**

Analog Audio Breakout Cable.

## GLOSSARY

This is a brief glossary of commonly used terms associated with this product.

### **AES/EBU**

The digital audio standard defined as a joint effort of the Audio Engineering Society and the European Broadcast Union. AES/EBU or AES3 describes a serial bitstream that carries two audio channels, thus an AES stream is a stereo pair. The AES/EBU standard covers a wide range of sample rates and quantizations (bit depths.) In television systems, these will generally be 48 KHz and either 20 or 24 bits.

### **Bandwidth**

Strictly speaking, this refers to the range of frequencies (i.e. the width of the band of frequency) used by a signal, or carried by a transmission channel. Generally, wider bandwidth will carry and reproduce a signal with greater fidelity and accuracy.

### **Beta**

Sony Beta SP video tape machines use an analog component format that is similar to SMPTE, but differs in the amplitude of the color difference signals. It may also carry setup on the luminance channel.

### **Blanking**

The Horizontal and Vertical blanking intervals of a television signal refer to the time periods between lines and between fields. No picture information is transmitted during these times, which are required in CRT displays to allow the electron beam to be repositioned for the start of the next line or field. They are also used to carry synchronizing pulses which are used in transmission and recovery of the image. Although some of these needs are disappearing, the intervals themselves are retained for compatibility purposes. They have turned out to be very useful for the transmission of additional content, such as teletext and embedded audio.

### **CAV**

Component Analog Video. This is a convenient shorthand form, but it is subject to confusion. It is sometimes used to mean ONLY color difference component formats (SMPTE or Beta), and other times to include RGB format. In any case, a CAV signal will always require 3 connectors – either Y/R-Y/B-Y, or R/G/B.

### **Checkfield**

A Checkfield signal is a special test signal that stresses particular aspects of serial digital transmission. The performance of the Phase Locked-Loops (PLLs) in an SDI receiver must be able to tolerate long runs of 0's and 1's. Under normal conditions, only very short runs of these are produced due to a scrambling algorithm that is used. The Checkfield, also referred to as the Pathological test signal, will “undo” the scrambling and cause extremely long runs to occur. This test signal is very useful for testing transmission paths.

### **Chroma**

The color or chroma content of a signal, consisting of the hue and saturation of the image. See also Color Difference.

### **Component**

In a component video system, the totality of the image is carried by three separate but related components. This method provides the best image fidelity with the fewest artifacts, but it requires three independent transmission paths (cables). The commonly used component formats are Luminance and Color Difference (Y/Pr/Pb), and RGB. It was far too unwieldy in the early days of color television to even consider component transmission.

### **Composite**

Composite television dates back to the early days of color transmission. This scheme encodes the color difference information onto a color subcarrier. The instantaneous phase of the subcarrier is the color's hue, and the amplitude is the color's saturation or intensity. This subcarrier is then added onto the existing luminance video signal. This trick works because the subcarrier is set at a high enough frequency to leave spectrum for the luminance information. But it is not a seamless matter to pull the signal apart again at the destination in order to display it or process it. The resultant artifacts of dot crawl (also referred to as chroma crawl) are only the most obvious result. Composite television is the most commonly used format throughout the world, either as PAL or NTSC. It is also referred to as Encoded video.

### **Color Difference**

Color Difference systems take advantage of the details of human vision. We have more acuity in our black and white vision than we do in color. This means that we need only the luminance information to be carried at full bandwidth, we can scrimp on the color channels. In order to do this, RGB information is converted to carry all of the luminance (Y is the black and white of the scene) in a single channel. The other two channels are used to carry the "color difference". Noted as B-Y and R-Y, these two signals describe how a particular pixel "differs" from being purely black and white. These channels typically have only half the bandwidth of the luminance.

### **Decibel (dB)**

The decibel is a unit of measure used to express the ratio in the amplitude or power of two signals. A difference of 20 dB corresponds to a 10:1 ratio between two signals, 6 dB is approximately a 2:1 ration. Decibels add while the ratios multiply, so 26 dB is a 20:1 ratio, and 14 dB is a 5:1 ratio. There are several special cases of the dB scale, where the reference is implied. Thus, dBm refers to power relative to 1 milliwatt, and dBu refers to voltage relative to .775V RMS. The original unit of measure was the Bel (10 times bigger), named after Alexander Graham Bell.

## **dBFS**

In Digital Audio systems, the largest numerical value that can be represented is referred to as Full Scale. No values or audio levels greater than FS can be reproduced because they would be clipped. The nominal operating point (roughly corresponding to 0 VU) must be set below FS in order to have headroom for audio peaks. This operating point is described relative to FS, so a digital reference level of -20 dBFS has 20 dB of headroom before hitting the FS clipping point.

## **EDH**

Error Detection and Handling is a method to verify proper reception of an SDI or HD-SDI signal at the destination. The originating device inserts a data packet in the vertical interval of the SDI signal and every line of the HD signal which contains a checksum of the entire video frame. This checksum is formed by adding up the numerical values of all of the samples in the frame, using a complex formula. At the destination this same formula is applied to the incoming video and the resulting value is compared to the one included in the transmission. If they match, then the content has all arrived with no errors. If they don't, then an error has occurred.

## **Embedded Audio**

Digital Audio can be carried along in the same bitstream as an SDI or HD-SDI signal by taking advantage of the gaps in the transmission which correspond to the horizontal and vertical intervals of the television waveform. This technique can be very cost effective in transmission and routing, but can also add complexity to signal handling issues because the audio content can no longer be treated independently of the video.

## **Frame Sync**

A Frame Synchronizer is used to synchronize the timing of a video signal to coincide with a timing reference (usually a color black signal that is distributed throughout a facility). The synchronizer accomplishes this by writing the incoming video into a frame buffer memory under the timing direction of the sync information contained in that video. Simultaneously the memory is being read back by a timing system that is genlocked to a house reference. As a result, the timing or alignment of the video frame can be adjusted so that the scan of the upper left corner of the image is happening simultaneously on all sources. This is a requirement for both analog and digital systems in order to perform video effects or switch glitch-free in a router. Frame synchronization can only be performed within a single television line standard. A synchronizer will not convert an NTSC signal to a PAL signal, it takes a standards converter to do that.

## **Frequency Response**

A measurement of the accuracy of a system to carry or reproduce a range of signal frequencies. Similar to Bandwidth.

## **IEC**

The International Electrotechnical Commission provides a wide range of worldwide standards. They have provided standardization of the AC power connection to products by means of an IEC line cord. The connection point uses three flat contact blades in a triangular arrangement, set in a rectangular connector. The IEC specification does not dictate line voltage or frequency. Therefore, the user must take care to verify that a device either has a universal input (capable of 90 to 230 volts, either 50 or 60 Hz), or that a line voltage switch, if present, is set correctly.

## **Interlace**

Human vision can be fooled to see motion by presenting a series of images, each with a small change relative to the previous image. In order to eliminate the flicker, our eyes need to see more than 30 images per second. This is accomplished in television systems by dividing the lines that make up each video frame (which run at 25 or 30 frames per second) into two fields. All of the odd-numbered lines are transmitted in the first field, the even-numbered lines are in the second field. In this way, the repetition rate is 50 or 60 Hz, without using more bandwidth. This trick has worked well for years, but it introduces other temporal artifacts. Motion pictures use a slightly different technique to raise the repetition rate from the original 24 frames that make up each second of film—they just project each one twice.

## **IRE**

Video level is measured on the IRE scale, where 0 IRE is black, and 100 IRE is full white. The actual voltages that these levels correspond to can vary between formats.

## **ITU-R 601**

This is the principal standard for standard definition component digital video. It defines the luminance and color difference coding system that is also referred to as 4:2:2. The standard applies to both PAL and NTSC derived signals. They both will result in an image that contains 720 pixels horizontally, with 486 vertical pixels in NTSC, and 576 vertically in PAL. Both systems use a sample clock rate of 27 Mhz, and are serialized at 270 Mb/s.

## **Jitter**

Serial digital signals (either video or audio) are subject to the effects of jitter. This refers to the instantaneous error that can occur from one bit to the next in the exact position each digital transition. Although the signal may be at the correct frequency on average, in the interim it varies. Some bits come slightly early, other come slightly late. The measurement of this jitter is given either as the amount of time uncertainty or as the fraction of a bit width. For 270 Mb/s video, the allowable jitter is 740 picoseconds, or 0.2 UI (Unit Interval – one bit width).

## **Luminance**

The “black & white” content of the image. Human vision had more acuity in luminance, so television systems generally devote more bandwidth to the luminance content. In component systems, the luminance is referred to as Y.



## **Multimode**

Multimode fibers have a larger diameter core (either 50 or 62.5 microns), and a correspondingly larger aperture. It is much easier to couple light energy into a multimode fiber, but internal reflections will cause multiple “modes” of the signal to propagate down the fiber. This will degrade the ability of the fiber to be used over long distances.

See also Singlemode.

## **NTSC**

The color television encoding system used in North America was originally defined by the National Television Standards Committee. This American standard has also been adopted by Canada, Mexico, Japan, Korea, and Taiwan. (This standard is referred to disparagingly as Never Twice Same Color.)

## **Optical**

An optical interface between two devices carries data by modulating a light source. This light source is typically a laser or laser diode (similar to an LED) which is turned on and off at the bitrate of the datastream. The light is carried from one device to another through a glass fiber. The fiber’s core acts as a waveguide or lightpipe to carry the light energy from one end to another. Optical transmission has two very significant advantages over metallic copper cables. Firstly, it does not require that the two endpoint devices have any electrical connection to each other. This can be very advantageous in large facilities where problems with ground loops appear. And secondly, and most importantly, an optical interface can carry a signal for many kilometers or miles without any degradation or loss in the recovered signal. Copper is barely useful at distances of just 1000 feet.

## **Oversampling**

A technique to perform digital sampling at a multiple of the required sample rate. This has the advantage of raising the Nyquist Rate (the maximum frequency which can be reproduced by a given sample rate) much higher than the desired passband. this allows more easily realized anti-aliasing filters.

## **PAL**

During the early days of color television in North America, European broadcasters developed a competing system called Phase Alternation by Line. This slightly more complex system is better able to withstand the differential gain and phase errors that appear in amplifiers and transmission systems. Engineers at the BBC claim that it stands for Perfection At Last.

## **Progressive**

An image scanning technique which progresses through all of the lines in a frame in a single pass. Computer monitors all use progressive displays. This contrasts to the interlace technique common to television systems.

### **Return Loss**

An idealized input or output circuit will exactly match its desired impedance (generally 75 ohms) as a purely resistive element, with no reactive (capacitive or inductive elements). In the real world we can only approach the ideal. So our real inputs and outputs will have some capacitance and inductance. This will create impedance matching errors, especially at higher frequencies. The Return Loss of an input or output measures how much energy is returned (reflected back due to the impedance mismatch). For digital circuits, a return loss of 15 dB is typical. This means that the energy returned is 15 dB less than the original signal. In analog circuits, a 40 dB figure is expected.

### **RGB**

RGB systems carry the totality of the picture information as independent Red, Green, and Blue signals. Television is an additive color system, where all three components add to produce white. Because the luminance (or detail) information is carried partially in each of the RGB channels, all three must be carried at full bandwidth in order to faithfully reproduce an image.

### **ScH Phase**

Used in composite systems, ScH Phase measures the relative phase between the leading edge of sync on line 1 of field 1 and a continuous subcarrier sinewave. Due to the arithmetic details of both PAL and NTSC, this relationship is not the same at the beginning of each frame. In PAL, the pattern repeats every 4 frames (8 fields) which is also known as the Bruch Blanking sequence. In NTSC, the repeat is every 2 frames (4 fields). This creates enormous headaches in editing systems and the system timing of analog composite facilities.

### **SDI**

Serial Digital Interface. This term refers to inputs and outputs of devices that support serial digital component video. This generally means standard definition at 270 Mb/s. The use of "HD-SDI" is beginning to appear to indicate High Definition Serial Digital video at 1.485 Gb/s.

### **SMPTE**

The Society of Motion Picture and Television Engineers is a professional organization which has done tremendous work in setting standards for both the film and television industries. The term "SMPTE" is also shorthand for one particular component video format - luminance and color difference.

### **Singlemode**

A Singlemode (or monomode) optical fiber carries an optical signal on a very small diameter (9 micron) core surrounded with cladding. The small diameter means that no internally reflected lightwaves will be propagated. Thus only the original "mode" of the signal passes down the fiber. A singlemode fiber used in an optical SDI system can carry a signal for up to 20 kilometers. Singlemode fibers require particular care in their installation due to the extremely small optical aperture that they present at splice and connection points.

See also Multimode.

## **TBC**

A Time Base Corrector is a system to reduce the Time Base Error in a signal to acceptable levels. It accomplishes this by using a FIFO (First In, First Out) memory. The incoming video is written into the memory using its own jittery timing. This operation is closely associated with the actual digitization of the analog signal because the varying position of the sync timing must be mimicked by the sampling function of the analog to digital converter. A second timing system, genlocked to a stable reference, is used to read the video back out of the memory. The memory acts as a dynamically adjusting delay to smooth out the imperfections in the original signal's timing. Very often a TBC will also function as a Frame Synchronizer.

See also: Frame Sync.

## **Time Base Error**

Time base error is present when there is excessive jitter or uncertainty in the line to line output timing of a video signal. This is commonly associated with playback from video tape recorders, and is particularly severe with consumer type heterodyne systems like VHS. Time base error will render a signal unusable for broadcast or editing purposes.

## **Tri Level Sync**

An analog sync reference signal that is used in High Definition systems. Tri Level Sync is constructed with three signal levels, the sync pulses extend above and below a mid-level average voltage (the blanking level). Unlike conventional analog sync which is bi-level, the proper 50% pickoff point is already identified in Tri Level Sync. This contributes to lower jitter in digital systems.

## **YUV**

Strictly speaking, YUV does not apply to component video. The letters refer to the Luminance (Y), and the U and V encoding axes using in the PAL composite system. Since the U axis is very close to the B-Y axis, and the V axis is very close to the R-Y axis, YUV is often used as a sort of shorthand for the more long-winded "Y/R-Y/B-Y".

## **Y/Cr/Cb**

In digital component video, the luminance component is Y, and the two color difference signals are Cr (R-Y) and Cb (B-Y).

## **Y/Pr/Pb**

In analog component video, the image is carried in three components. The luminance is Y, the R-Y color difference signal is Pr, and the B-Y color difference signal is Pb.