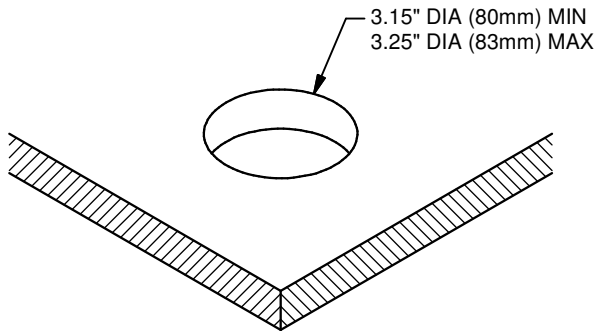
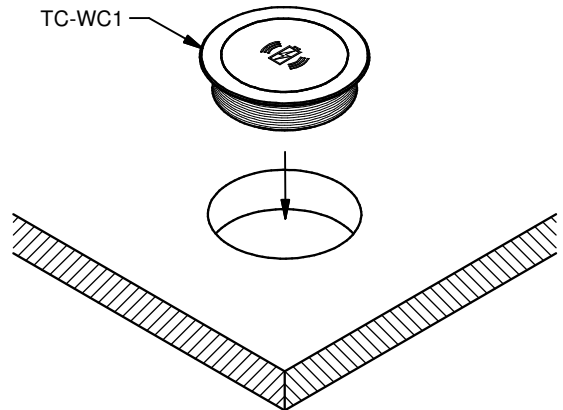


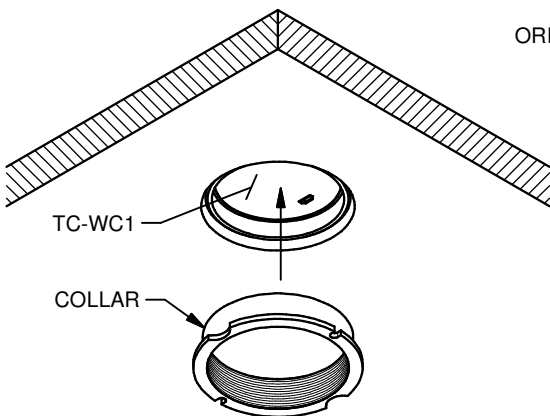
1. DETERMINE TC-WC1 LOCATION AND DRILL HOLE.



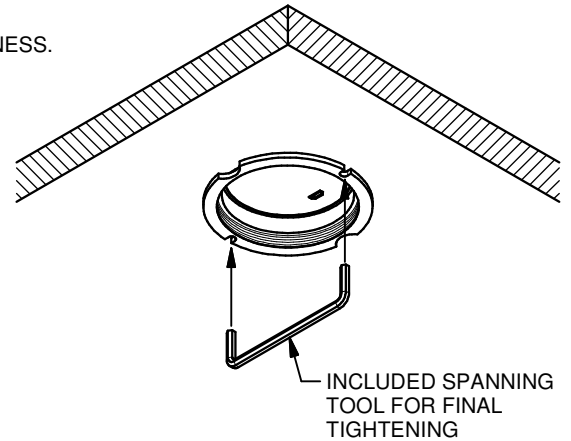
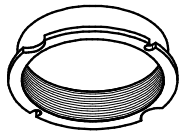
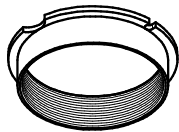
2. INSERT TC-WC1 INTO HOLE.



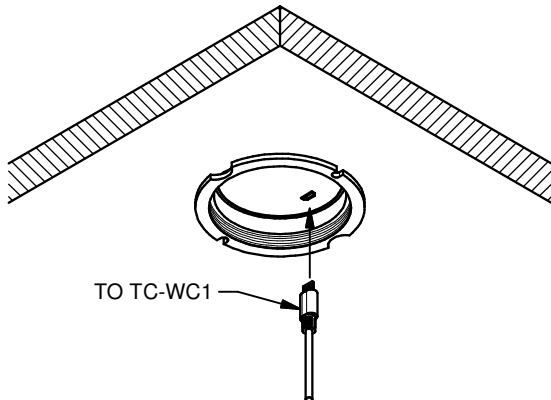
3. SECURE TC-WC1 WITH COLLAR. USE INCLUDED SPANNING TOOL TO SECURE TIGHTLY.



ORIENT COLLAR FOR APPLICABLE THICKNESS.

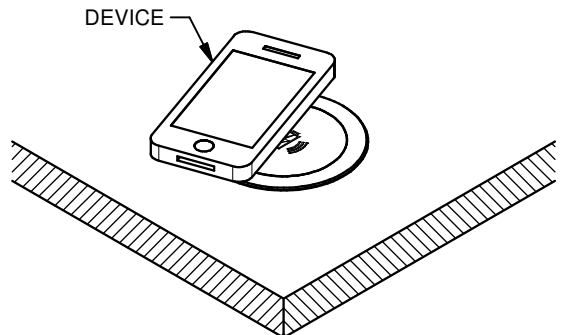


4. MAKE CONNECTIONS AS REQUIRED.



TO CHARGE ALL Qi STANDARD COMPATIBLE DEVICES, CONNECT TO ANY STANDARD USB CHARGER. TO FAST CHARGE SAMSUNG DEVICES WITH ADAPTIVE FAST WIRELESS CHARGING, CONNECT TO AN ADAPTIVE FAST CHARGE WALL CHARGER (PROVIDED WITH SOME MODELS).

5. LAY DEVICE ON TOP OF CHARGER TO CHARGE DEVICE.



OUTPUT: 5V-1A; 9V-1.2A
Qi STANDARD: Version WPC1.2
CHARGING DISTANCE: 0-8mm
CHARGING EFFICIENCY: 75% MAX