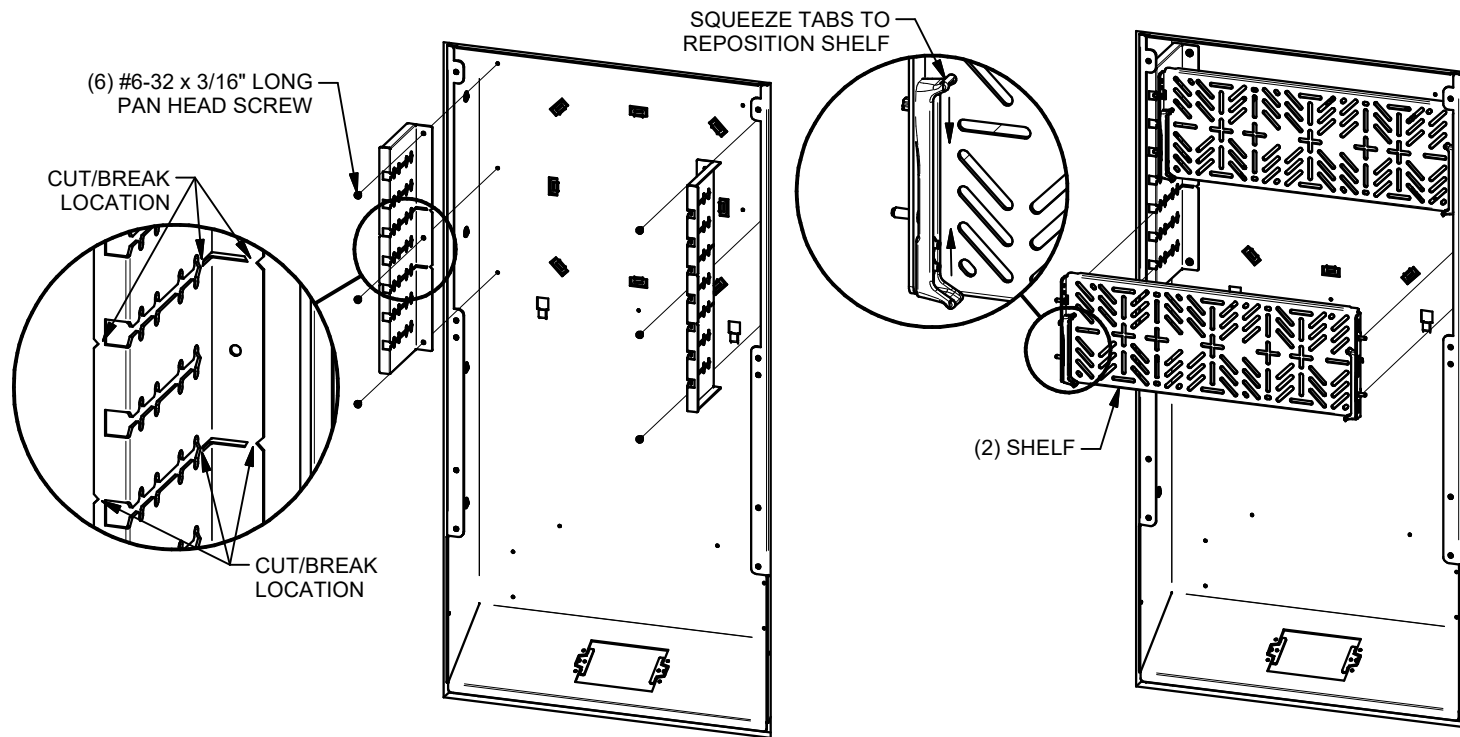


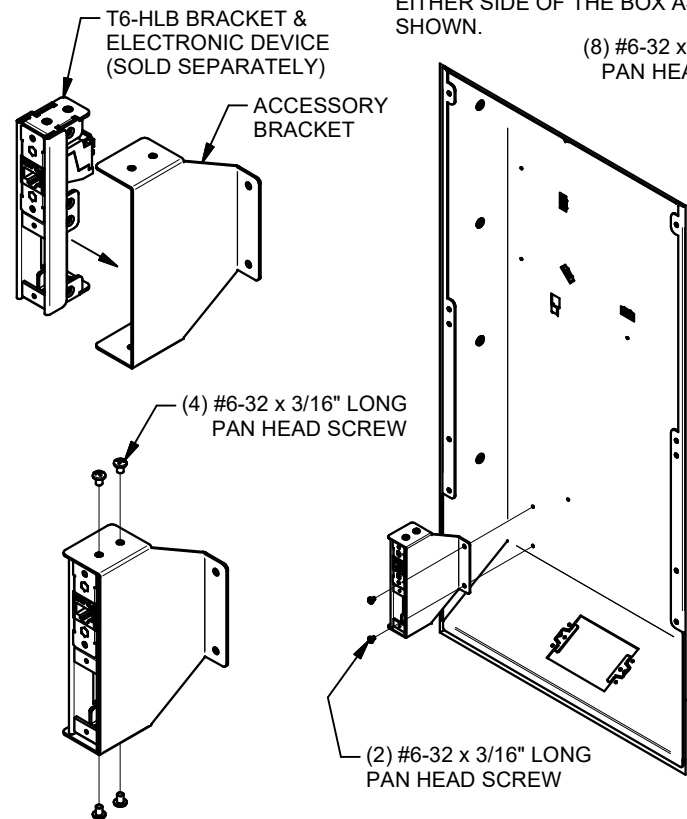
**OPTIONAL SHELF SYSTEM INSTALLATION**

- a. INSTALL SHELF MOUNTING BRACKETS INTO BOX AS SHOWN. BRACKETS CAN BE SHORTENED IF REQUIRED.
- b. INSTALL SHELF ONTO SHELF MOUNTING BRACKET. SQUEEZE PLASTIC TABS TO REPOSITION SHELF. INSTALL ELECTRONIC COMPONENTS (SOLD SEPARATELY) AND MAKE WIRING CONNECTIONS AS REQUIRED.



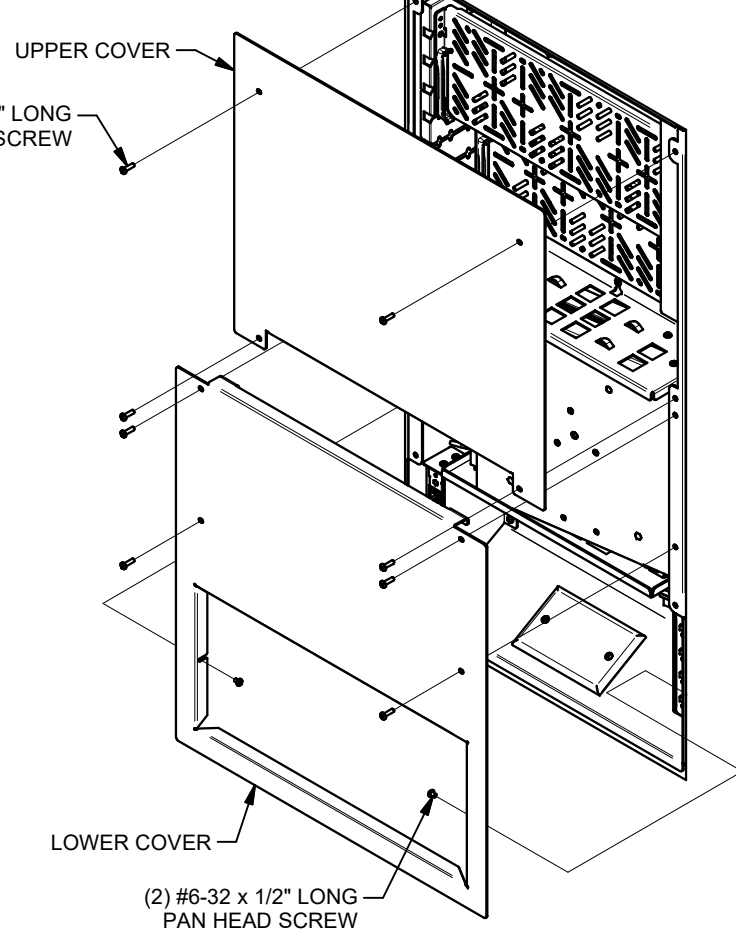
**ACCESSORY BRACKET INSTALLATION**

- a. INSTALL ELECTRONIC DEVICE (SOLD SEPARATELY) ONTO ACCESSORY BRACKET.
- b. MAKE WIRING CONNECTIONS AS REQUIRED AND INSTALL ACCESSORY BRACKET INTO EITHER SIDE OF THE BOX AS SHOWN.



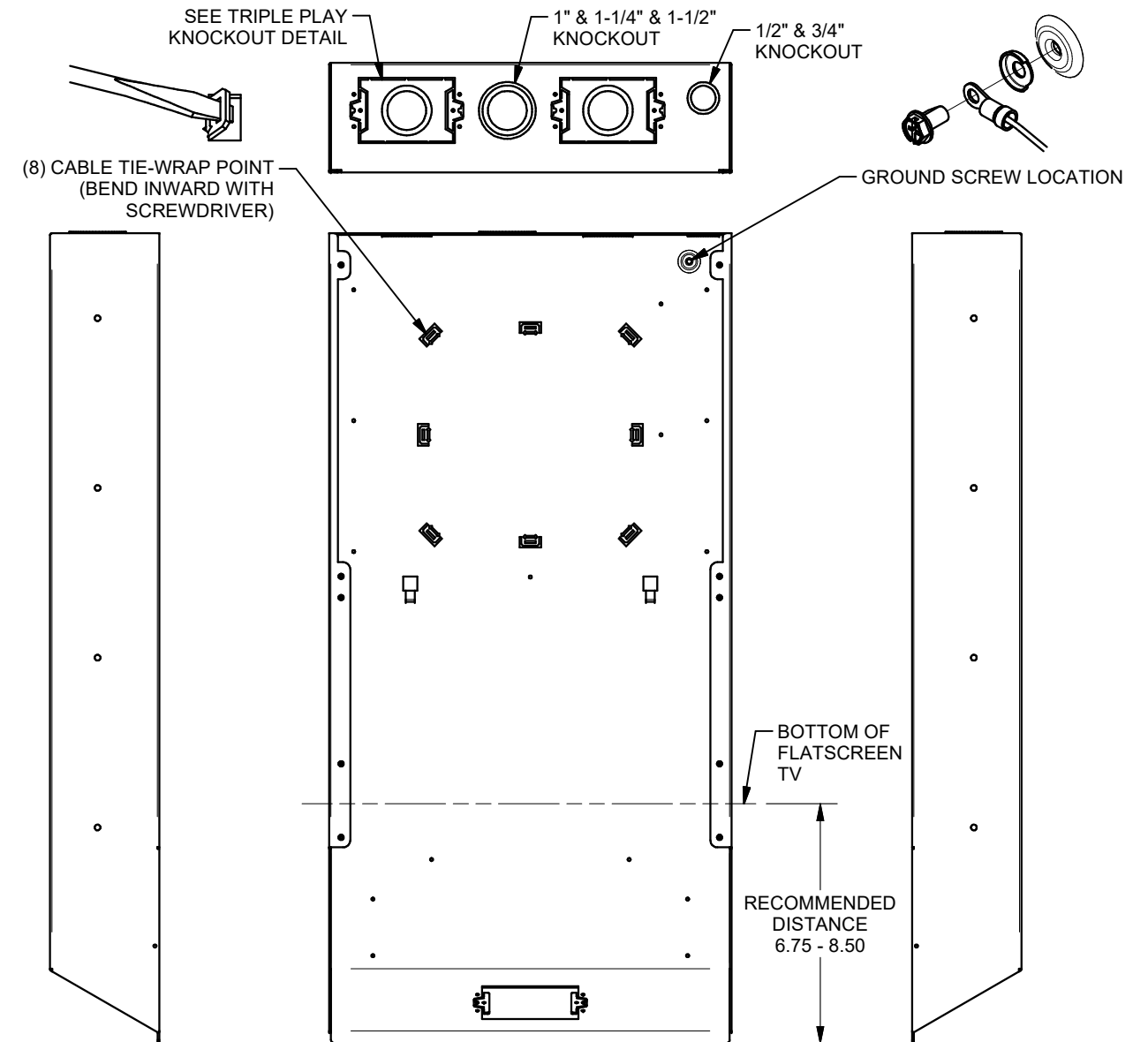
**COVER INSTALLATION**

INSTALL COVERS AS SHOWN.



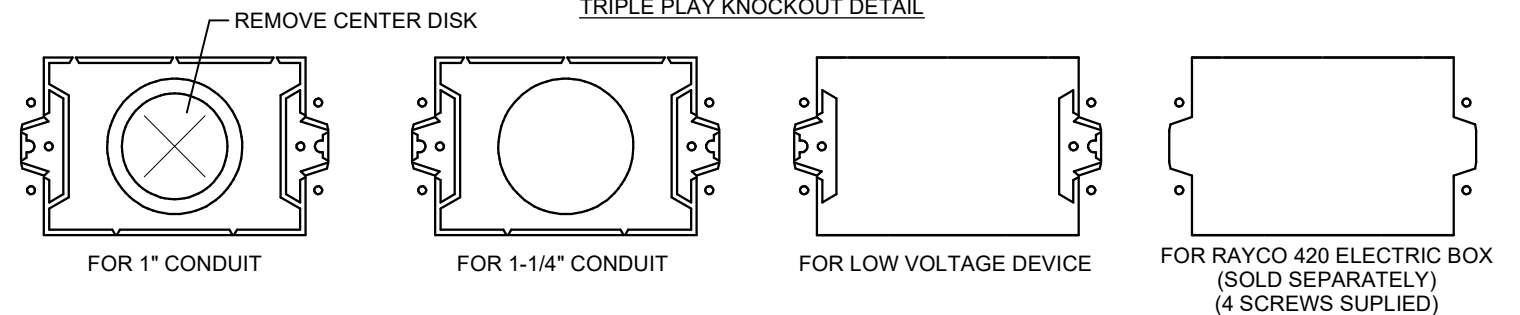
**FSR PWB-HVBX Installation Instructions**

244 Bergen Boulevard, Woodland Park, NJ 07424, Phone: 973.785.4347 - Fax: 973.785.4207



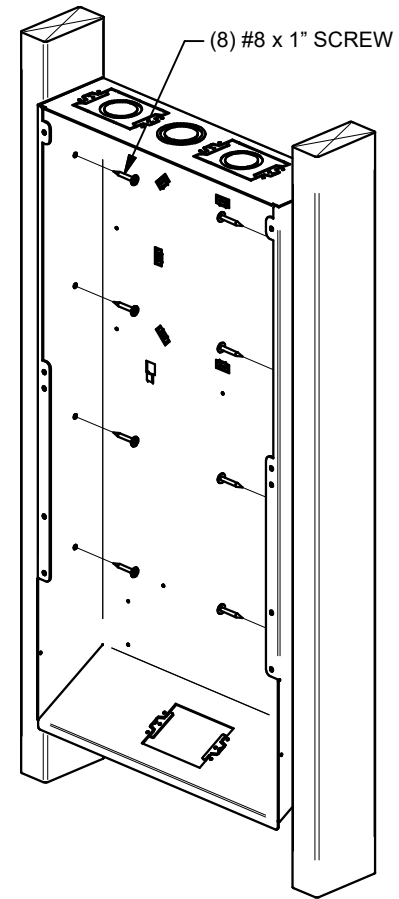
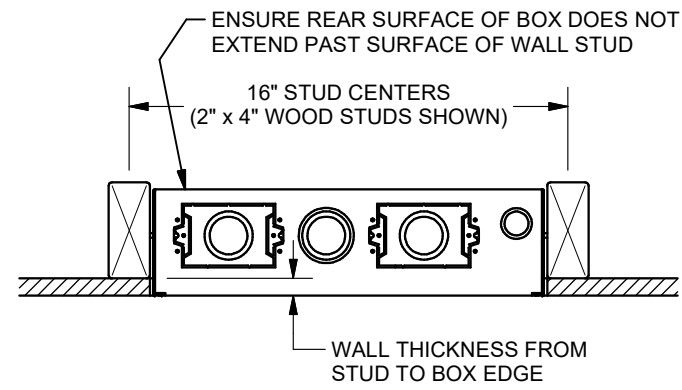
USE SUPPLIED BLANK PLATE TO CLOSE OPENING IF REQUIRED

**TRIPLE PLAY KNOCKOUT DETAIL**



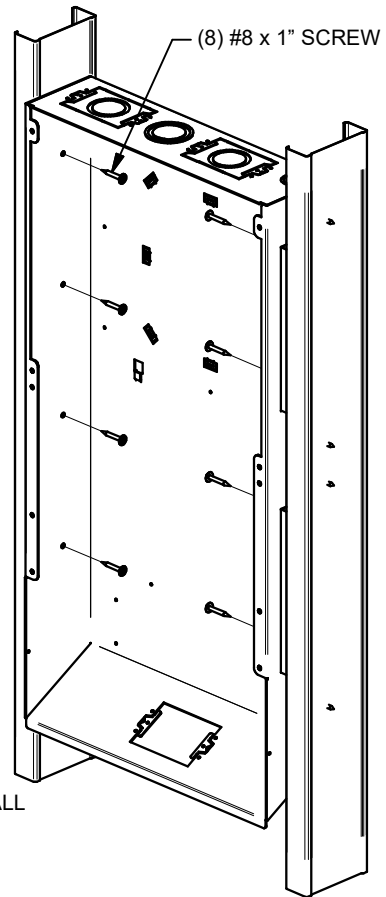
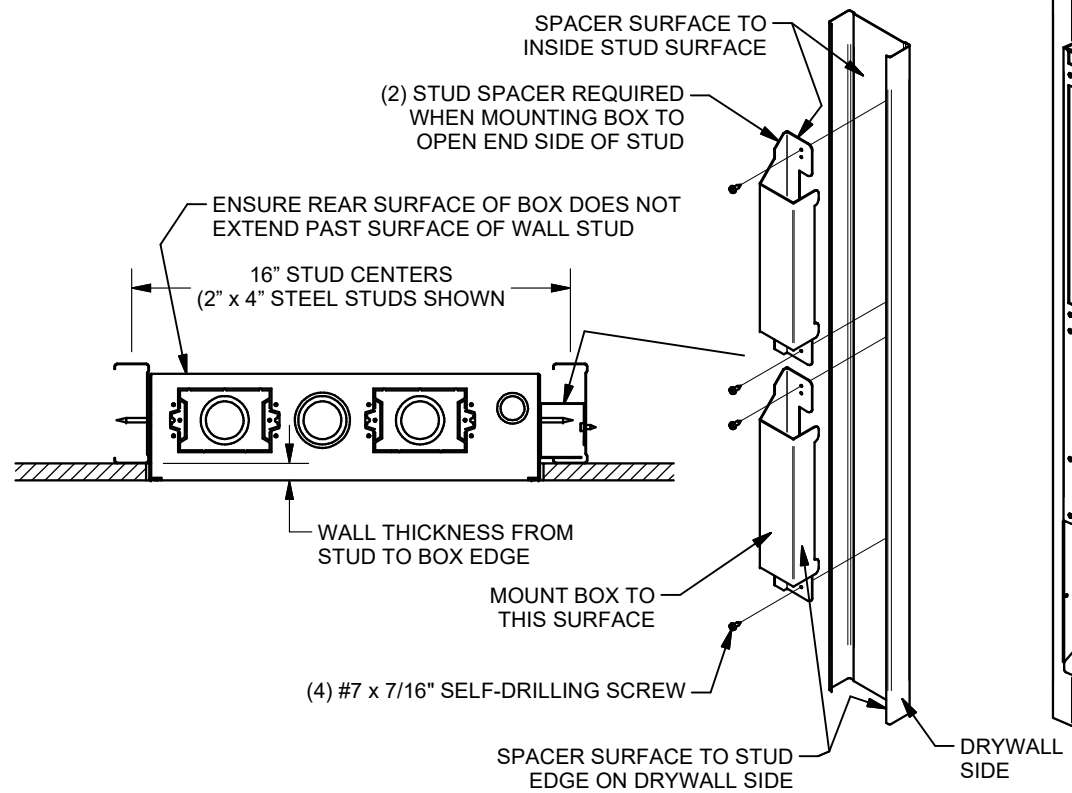
### WOOD STUD INSTALLATION

WALL OPENING: 14-1/2" x 29"



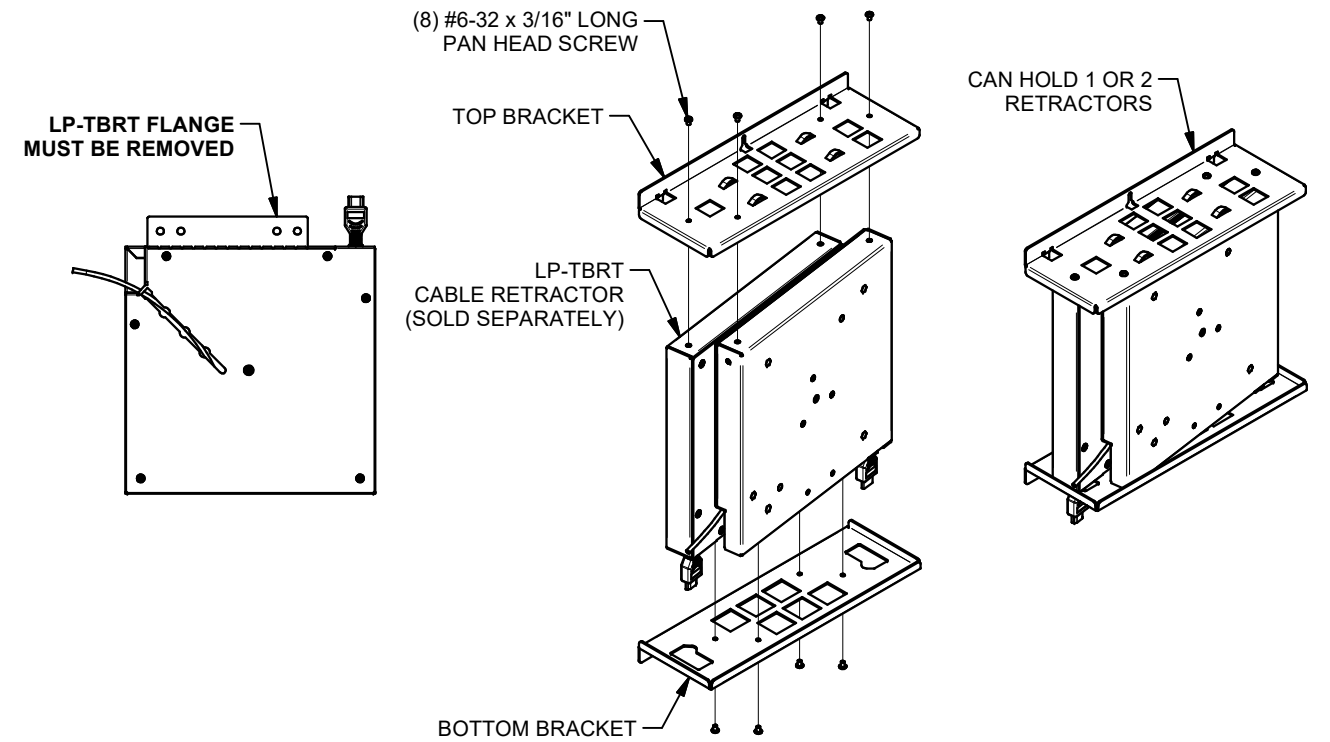
### STEEL STUD INSTALLATION

WALL OPENING: 14-1/2" x 29"



### LP-TBRT CABLE RETRACTOR INSTALLATION

- a. INSTALL LP-TBRT CABLE RETRACTORS (SOLD SEPARATELY) ONTO CABLE RETRACTOR MOUNTING BRACKETS.



- b. HANG RETRACTOR INSIDE BOX AND SECURE WITH #6-32 SCREWS AND MAKE WIRING CONNECTIONS AS REQUIRED.

