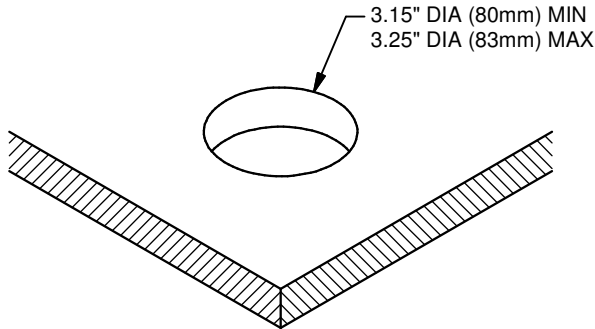
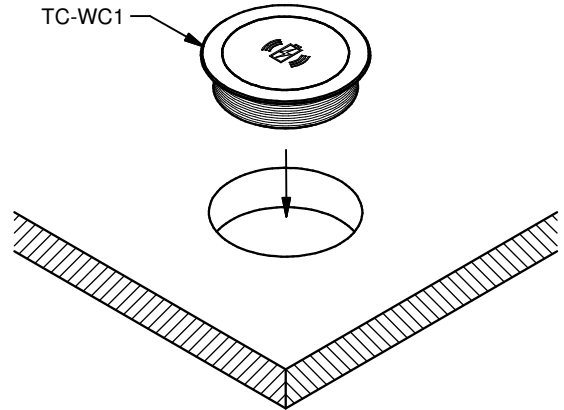


1. DETERMINE TC-WC1 LOCATION AND DRILL HOLE.

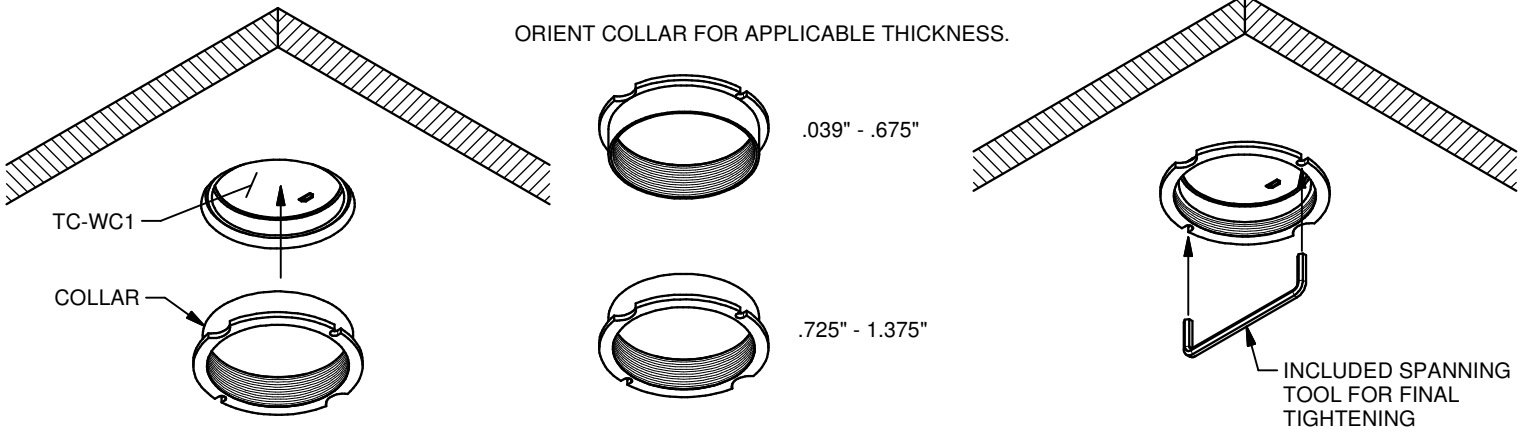


2. INSERT TC-WC1 INTO HOLE.

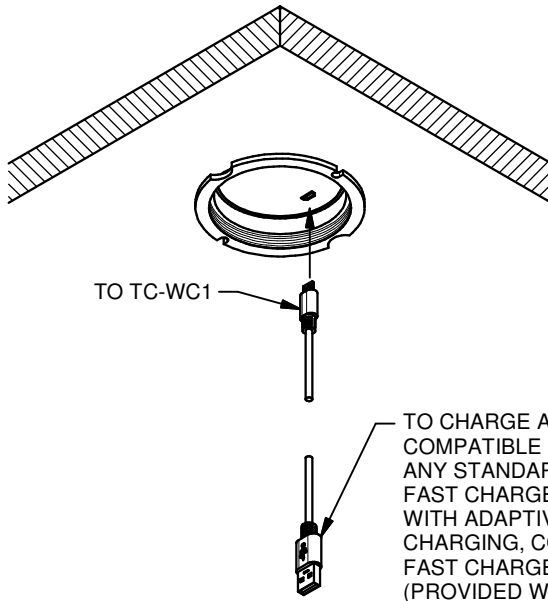


3. SECURE TC-WC1 WITH COLLAR. USE INCLUDED SPANNING TOOL TO SECURE TIGHTLY.

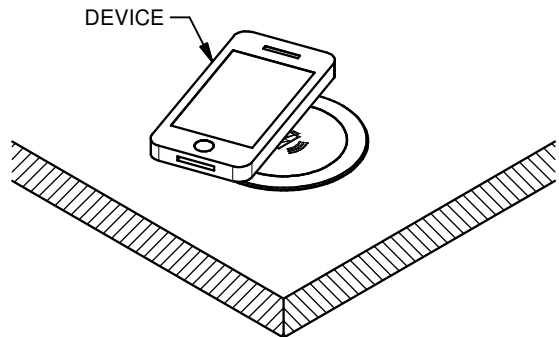
ORIENT COLLAR FOR APPLICABLE THICKNESS.



4. MAKE CONNECTIONS AS REQUIRED.



5. LAY DEVICE ON TOP OF CHARGER TO CHARGE DEVICE.



OUTPUT: 5V-1A; 9V-1.2A  
Qi STANDARD: Version WPC1.2  
CHARGING DISTANCE: 0-8mm  
CHARGING EFFICIENCY: 75% MAX