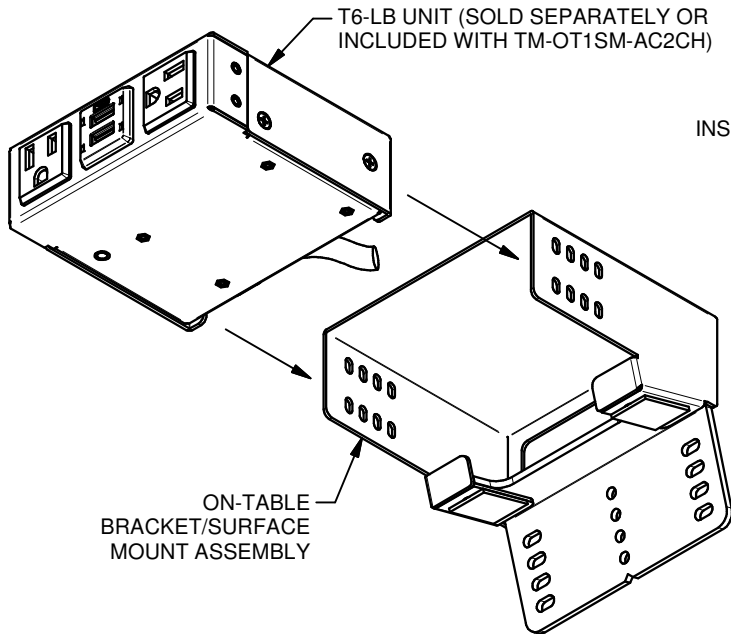
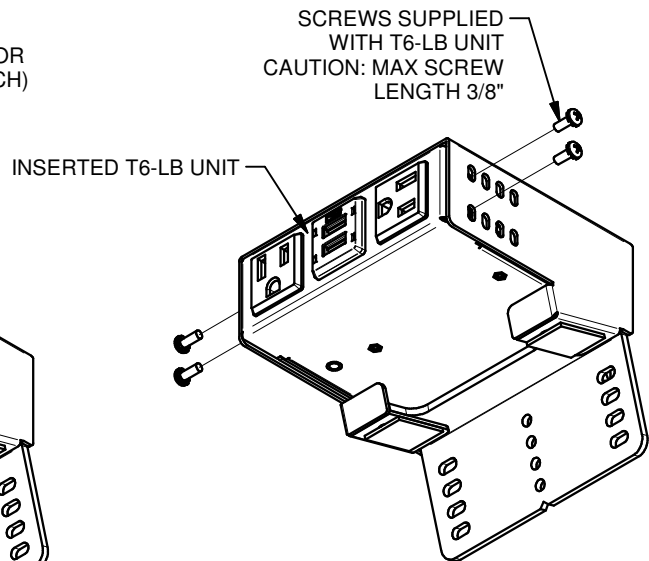


1. INSERT FSR SERIES T6-LB UNIT (SOLD SEPARATELY OR INCLUDED WITH TM-OT1SM-AC2CH) INTO BRACKET.



2. SECURE FSR SERIES T6-LB UNIT TO BRACKET WITH SUPPLIED SCREWS.



3. LOCATE AND SECURE TO TABLE/CABINET WITH SUPPLIED MOUNTING SCREWS. MAKE ELECTRICAL CONNECTIONS AS REQUIRED.

