

## AC Relay Accessory

MODEL PS-REL (FOR USE WITH PS-8R, PS-PRO, POWERPORT AND MINIPOINTS)

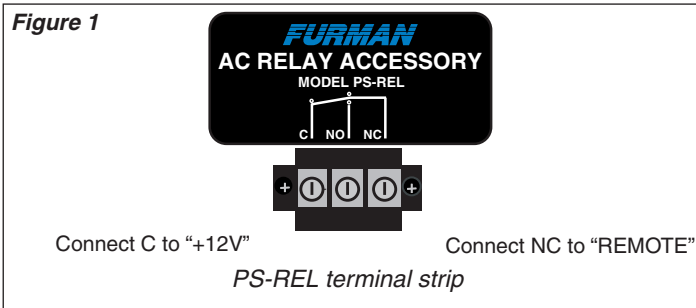
## Instruction Sheet

### About the PS-REL

The PS-REL AC Relay Accessory is designed primarily for use with the PS-8R 15 amp Power Sequencer, the PS-PRO 20 amp Power Sequencer, the PowerPort 20 amp Remote AC Controller, the MiniPort-30 Power Relay (30 amps), MiniPort-20 Power Relay (rated 20 amps), and the MiniPort-15 Power Relay (rated 15 amps).

The PS-REL is simply a small box containing a relay. It functions as a sensor which can close a switch in response to the presence of AC power.

The PS-REL is needed whenever a PS-8R, PS-PRO, PowerPort or MiniPort (or linked chain of PowerPorts or MiniPorts) must be turned on in response to energizing a switched outlet. This occurs frequently in "home theater" installations when a switched outlet on a preamp or receiver, often activated by a wireless remote device, is to be used to power up a large amount of equipment. It allows multiple 15-amp and 20-amp circuits to be controlled from one device.



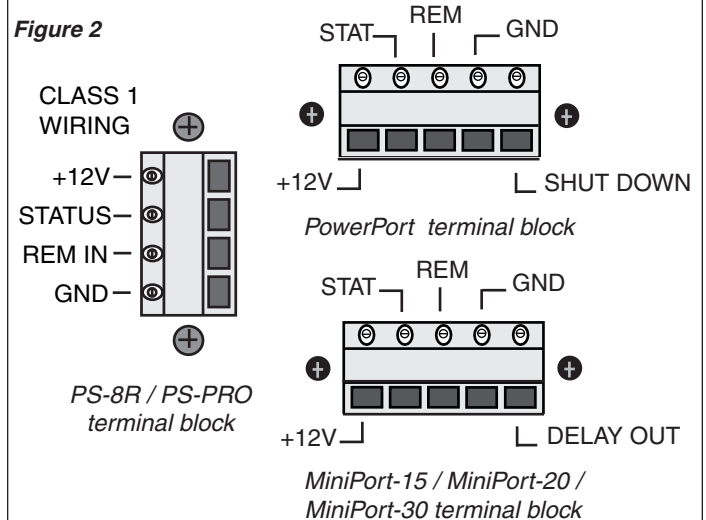
The PS-REL has a two-prong AC plug on a 6-foot cord to activate the relay, and three terminals that connect to the relay contacts (Fig. 1). There is a common contact labeled (C), a normally open contact (NO), and a normally closed contact (NC). It should be noted that when connecting the PS-REL to any Furman sequenced power product that (C) should be connected to the (+12V) terminal, and that (NC) should be connected to the (REM) terminal.

When the relay opens, the device will turn on. Two wires should be connected to the +12V and REM IN screw terminals of the PS-8R, PS-PRO, PowerPort, or MiniPorts. The PS-REL's AC cord should be plugged into the outlet to be sensed.

The PS-REL AC Relay Accessory may also be used: (1) To allow a PS-8R or PS-PRO to be hooked up to another PS-8R or PS-PRO to provide six separate delayed turn on/turn off groups, by having the relay sense the presence of power at the Delay 3 outlet, (2) To turn on a single PowerPort or a chain of PowerPorts linked together; (3) To turn on a MiniPort or a chain of MiniPorts linked together.

When AC power appears at the sensed outlet, the PS-8R, PS-PRO, PowerPort (or linked chain of PowerPorts), or MiniPort (or linked chain of MiniPorts) will begin its turn-on sequence.

**Figure 2**



### Limited Warranty

The Furman PS-REL is warranted against failures due to defective parts or faulty workmanship for a period of three years after delivery to the original owner. During this period, Furman will make any necessary repairs without charge for parts or labor. Shipping charges to the factory or repair station must be prepaid by the owner; return shipping charges (via UPS Ground) will be paid by Furman.

This warranty applies only to the original owner and is not transferable. Also, it does not apply to repairs done other than by the Furman factory or Authorized Repair Stations.

This warranty may be cancelled by Furman at its sole discretion if the PS-REL unit has been subjected to physical abuse or has been modified in any way without written authorization from Furman. Furman's liability under this warranty is limited to repair or replacement of the defective unit.

Furman will not be responsible for incidental or consequential damage resulting from the use or misuse of its products. Some states do not allow the exclusion of incidental or consequential damages, so the above limitations may not apply to you. This warranty gives you specific legal rights, and you may also have other rights which vary from state to state.

Warranty claims should be accompanied by a copy of the original purchase invoice showing the purchase date (if a Warranty Registration Card was mailed in at the time of purchase, this is not necessary). Before returning any equipment for repair, please read the important information on service, which follows.

### Service

Before returning any equipment for repair, please be sure that it is adequately packed and cushioned against damage in shipment, and that it is insured. We suggest that you save the original packaging and use it to ship the product for servicing. Also, please enclose a note giving your name, address, phone number and a description of the problem.

NOTE: All equipment being returned for repair must have a Return Authorization (R/A) Number. To get an R/A Number, please call the Furman Service Department, (707) 763-1010, ext. 121, between 8 am and 5 pm U.S. Pacific Time. Please display your R/A Number prominently on the front of all packages.

Contact us for More Information

We'll send you our full-line color catalog and a detailed data sheet on any Furman product. And be sure to visit our website at <http://www.furmansound.com>