



# MARS 300 PRO

User Manual

V1.1.0

**HOLLYVIEW**

Powered by Hollyland

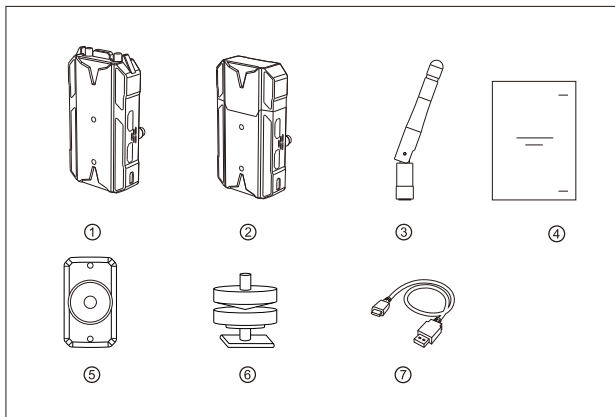
## FOREWORD

Thank you for purchasing Hollyland MARS 300 PRO wireless HD video transmission system. Please kindly read the user manual before using the product. Hope you have a pleasant experience.

### KEY FEATURES

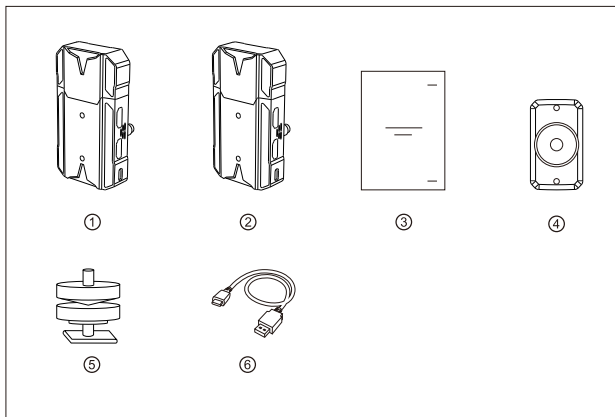
- Wheel Button on the Side, One-button Rolling Adjustment
- OLED Screen Display on the Side
- 400ft Transmission Range between RX and TX (LOS)
- 300ft Transmission Range between TX and App (LOS)
- The lowest latency is about 0.1s
- HDMI Input & HDMI Loopout at TX, Dual HDMI Output at RX
- Supports USB Type-C Power Supply
- 1 Transmitter Supports up to 1 Receiver and 2 APPs Monitoring (Or 1 Transmitter Supports up to 3 Apps Monitoring Without RX)
- Supports Smart Channel Selection
- Supports App Firmware Upgrade

## ENHANCED PACKING LIST



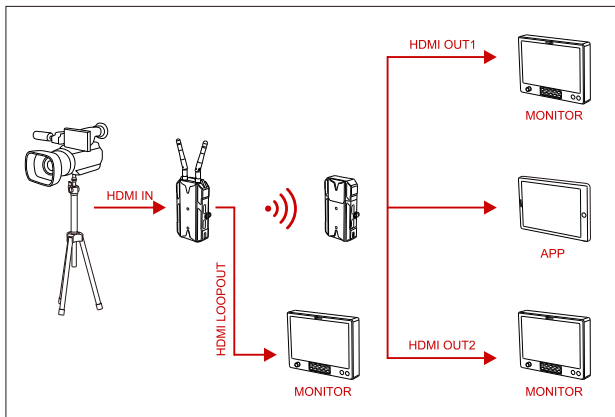
①	Transmitter	x1
②	Receiver	x1
③	Antennas	x3
④	User Guide	x1
⑤	Expansion Accessory	x1
⑥	Cold Shoe	x1
⑦	USB Type-A to Type-C data cable	x1

## STANDARD PACKING LIST

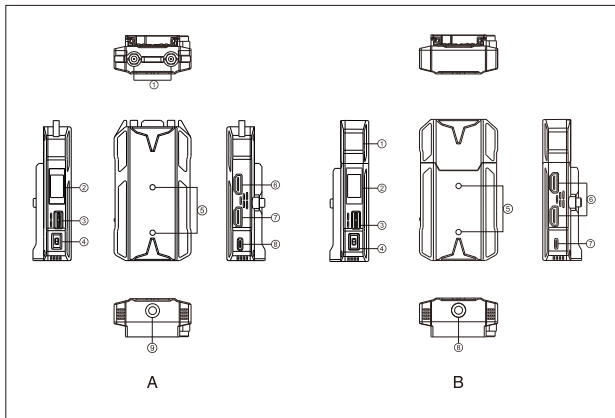


①	Transmitter	x1
②	Receiver	x1
③	User Guide	x1
④	Expansion Accessory	x1
⑤	Cold Shoe	x1
⑥	USB Type-A to Type-C data cable	x1

## TYPICAL SETUP



## PRODUCT INTERFACES



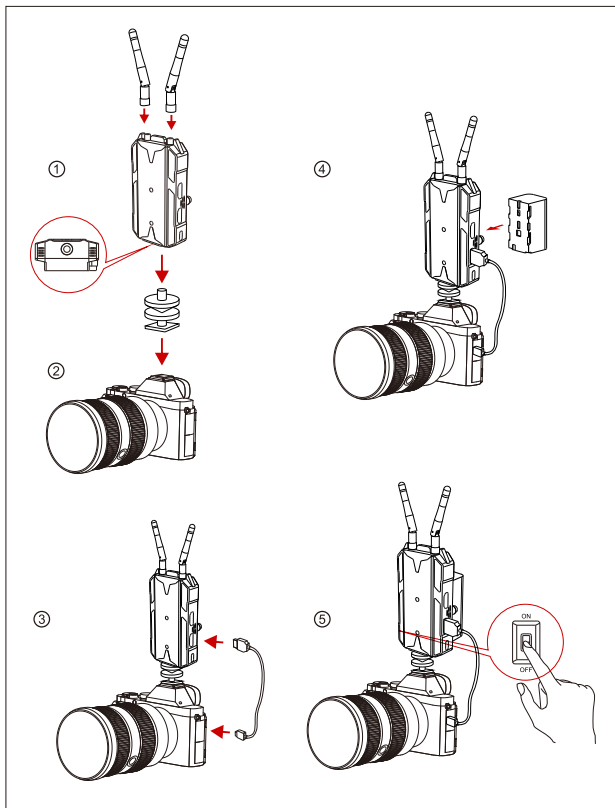
### A TRANSMITTER

- ① Antenna Interface
- ② OLED Screen
- ③ Wheel Button
- ④ Power Switch
- ⑤ Mounting Hole of the Expansion Accessory
- ⑥ HDMI Loopout
- ⑦ HDMI Input
- ⑧ USB Type-C Interface
- ⑨ 1/4 Screw Hole

### B RECEIVER

- ① Built-in Antenna
- ② OLED Screen
- ③ Wheel Button
- ④ Power Switch
- ⑤ Mounting Hole of the Expansion Accessory
- ⑥ HDMI Out
- ⑦ USB Type-C Interface
- ⑧ 1/4 Screw Hole

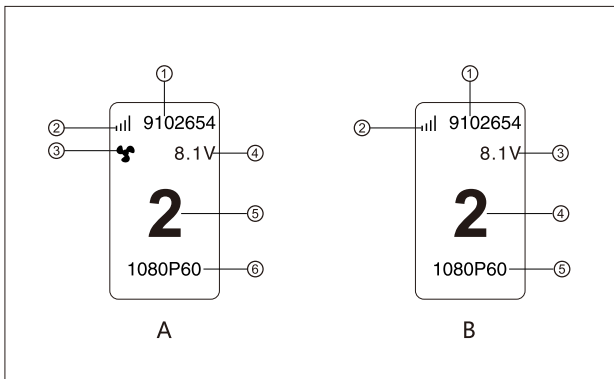
## INSTALLATION





## INSTALLATION

- ① Install the antennas as demonstrated
- ② Vertical Installation:  
Secure the cold shoe with 1/4 screw hole at the bottom of the transmitter and mount it to the camera.  
Horizontal Installation:  
Connect the expansion accessory to the transmitter's mounting hole and secure the cold shoe with hole at the expansion accessory. Then install them on the camera.
- ③ Connect the HDMI input of the transmitter with camera's by HDMI cable.
- ④ Connect to a power supply (Compatible with NP-F970 or the same series of batteries)
- ⑤ Turn on the devices.



## **A** TRANSMITTER

- ① Device ID
- ② WiFi Signal Strength
- ③ Fan Status Display
- ④ Battery Voltage Display
- ⑤ Channel Display
- ⑥ Video Format

## **B** RECEIVER

- ① Device ID
- ② WiFi Signal Strength
- ③ Battery Voltage Display
- ④ Channel Display
- ⑤ Video Format

### ENTER MENU

Long press the wheel button for about 3 seconds to enter the root menu interface.

Push up or down the wheel button to switch the menu page, press down the wheel button to confirm.

### CHANNEL CHANGE

Push up or down the wheel button to change the channel at receiver or transmitter. Press down the wheel button to confirm the channel, the channel of the transmitter and receiver will be changed automatically and synchronously.

### IOS System and Android System Installation and Connection

#### 1. "HollyView" APP Download



2. Enter the WiFi connection interface of the phone. Find the device's WiFi (WiFi names as "HLD+Device ID" ). Input WiFi password to connect (Factory default password: 12345678). After the WiFi connection is successful, enter the APP to monitor the screen.

## PARAMETERS

	Transmitter	Receiver
Interface	HDMI Input (Type A Female) HDMI Loopout (Type A Female) 2 Antenna Interfaces (RP-SMA Male) <sup>①</sup> USB Type-C	HDMI Output (Type A Female) USB Type-C
Supply Interface	USB Type-C Supply: 5V/2A Battery Supply: 5-12V DC	USB Type-C Supply: 5V/2A Battery Supply: 5-12V DC
Power Consumption	<11W	<4W
Weight	172.5g <sup>②</sup>	128.5g
Demimension	(L*W*H) : 106*61*21.8mm <sup>③</sup> The battery plate excluded	(L*W*H) : 110*62*21mm The battery plate excluded
Input / Output Video Format	HDMI: 480p60 576p50 720p50/59.94/60 1080i50/59.94/60 1080p23.98/24/25/29.9/30 1080p50/59.94/60	HDMI: 480p60 576p50 720p50/60 1080i50/60 1080p24/25/30 1080p 50/60
Frequency	5GHz	5GHz
Modulation Mode	OFDM	OFDM
Transmission Power	Maximum 21dBm	/
Receiver Sensitivity	/	-80dBm
Lowest Transmission Latency	About 0.1s	About 0.1s
Bandwidth	20MHz	20MHz

### ■ NOTES:

1. Mars 300 PRO's standard transmitter has the built-in antennas.
2. Mars 300 PRO's standard transmitter weighs 136g.
3. Mars 300 PRO's standard dimension is L\*W\*H: 110\*61\*21mm (the battery plate excluded)

## SUPPORT

If encounter any problems in using the product or need any help, please follow these ways to get more technical support:

 Hollyland Products User Group


 HollylandTech

 HollylandTech

 support@hollyland-tech.com

 www.hollyland-tech.com



 Hollyland Products User Group

 HollylandTech

 HollylandTech

 support@hollyland-tech.com

 www.hollyland-tech.com

**SHENZHEN HOLLYLAND TECHNOLOGY CO., LTD**

---

8F, 5D Building, Skyworth Innovation Valley, Tangtou, Shiyan, Baoan District Shenzhen, China.