

A-MWR

Wireless Receiver Mounting Bracket



Instruction Manual

Thank you for purchasing the A-MWR. This bracket is an optional adaptor designed to fit a wireless receiver, recorder and other accessories onto a camcorder together with V-Mount batteries. Prior to using the A-MWR, IDX recommends reading this Instruction Manual on how to best use this bracket and recommends keeping this manual for your reference.

Features

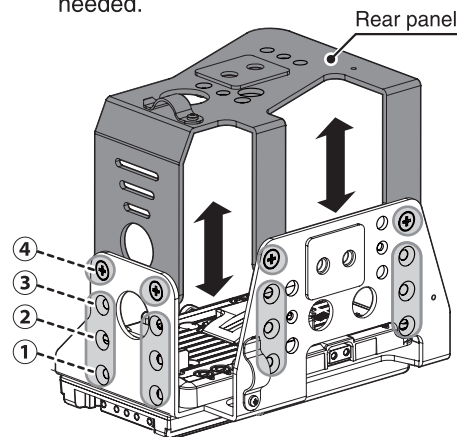
- This bracket can be attached directly to the V-Mount type camcorder without using screws.
- This bracket can be attached to the V-Mount with CW-5HD and AC-100.
- Plate depth can be adjusted to four different positions; therefore, the A-MWR is now compatible with all ENDURA batteries and can be used in PowerLink configuration.
- Wireless receiver and recorder can be attached to either side of the bracket simultaneously.
- D-Tap connector supplies DC power directly from the battery, allowing power for on-board camera lights such as X5-Lite, etc. to be utilized.
- Rear panel can be removed if it is not used.

Specifications

- Maximum output for the D-Tap: 50W
- Dimensions:
115(W) × 153(H) × 102-153(D)mm
4.53(W) × 6.02(H) × 4.02 - 6.02(D) inches.
- Weight: Approx. 520g / 1.15lbs.

Adjustment of depth

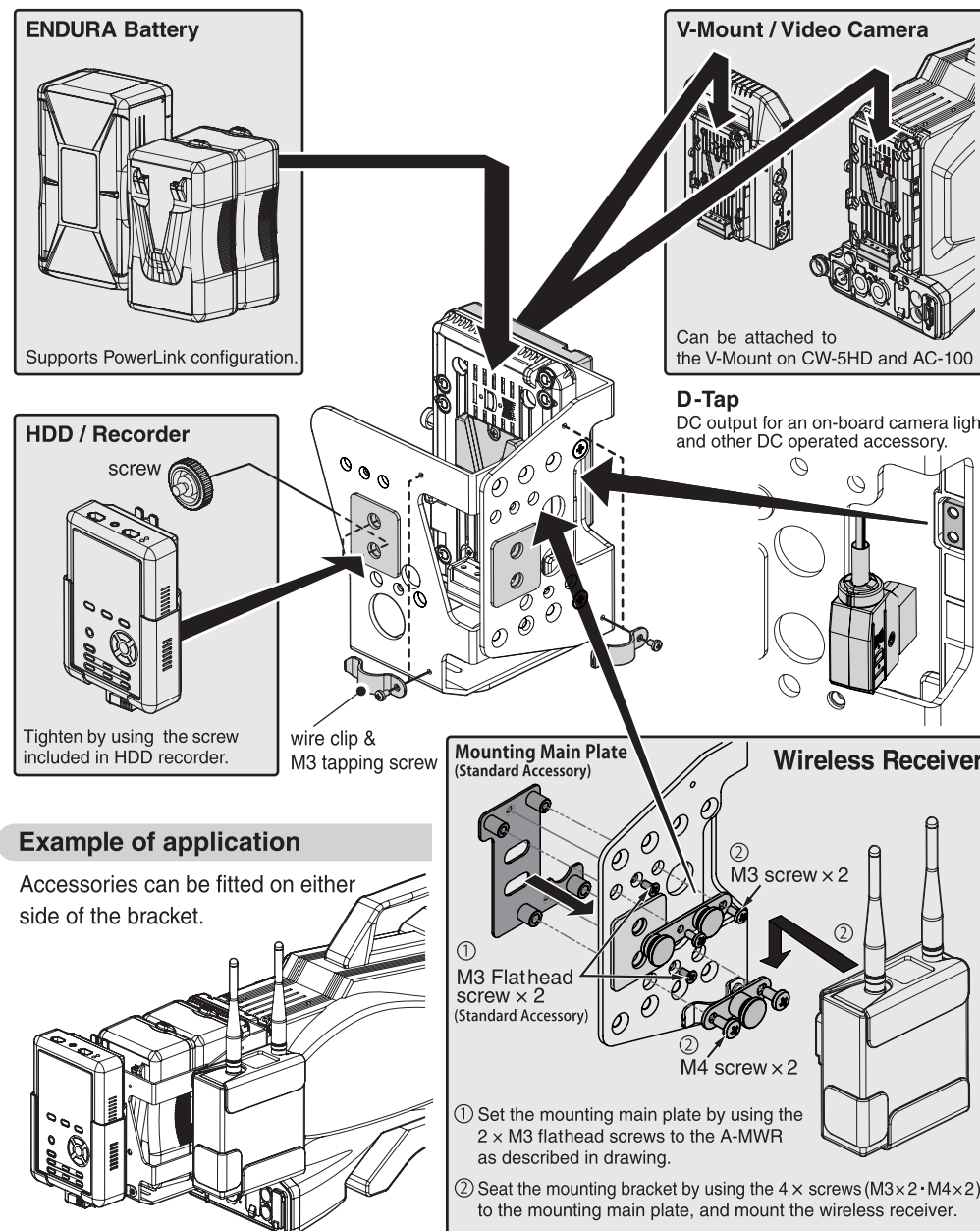
- The depth of A-MWR can be set in four different positions to suit your battery set up. To adjust the depth, loosen the screws on either side and adjust to the best position; then tighten the screws again.
- Rear panel can be removed if it is not needed.



General Notes and Safety

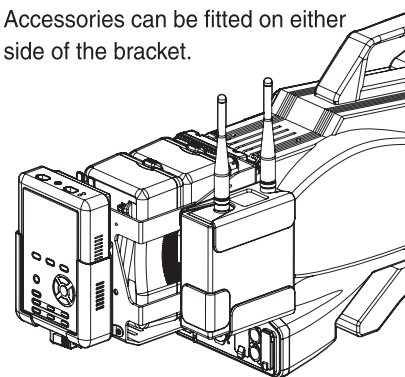
- Do not attempt to modify this unit. All work should be carried out by IDX authorized service personnel only.
- When connecting a battery or adaptor to the A-MWR, be sure to connect firmly. If it is not attached properly, it may result in loss or damage to the unit or even injury to the user.
- If you need any inspection or repairs, please contact your IDX dealer or appropriate IDX office.

Set up To set up the A-MWR, please follow the drawing below.



Example of application

Accessories can be fitted on either side of the bracket.



- ① Set the mounting main plate by using the 2 × M3 flathead screws to the A-MWR as described in drawing.
- ② Seat the mounting bracket by using the 4 × screws (M3×2·M4×2) to the mounting main plate, and mount the wireless receiver.

Design and specification are subject to change without notice.



<http://www.idx.tv>

IDX Company, Ltd. : 6-28-11 Shukugawara, Tama-ku, Kawasaki-shi, Kanagawa-ken 214-0021 Japan
Tel: +81-44-850-8801 Fax: +81-44-850-8838 E-mail: idx.japan@idx.tv

IDX System Technology, Inc. : 19001 Harbortgate Way, Suite 105, Torrance, CA 90501 USA
Tel: +1-310-328-2850 Fax: +1-310-328-8202 E-mail: idx.usa@idx.tv

IDX Technology Europe, Ltd. : Unit 9, Langley Park, Waterside Drive, Langley, Berkshire SL3 6EZ England
Tel: +44-1753-547692 Fax: +44-1753-546660 E-mail: idx.europe@idx.tv



20110421Y