



The magic life in the image world

E-IMAGE

User's Manual

NINGBO EIMAGE STUDIO EQUIPMENT CO.,LTD

Add : No.373 South Hangyong Road,Luotuo Industry Zone,Zhenhai,
Ningbo,China 315202

Tel :0574-86590031 86590061

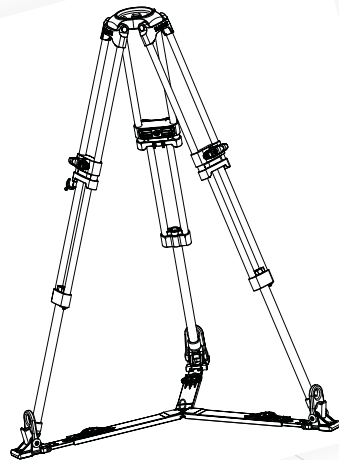
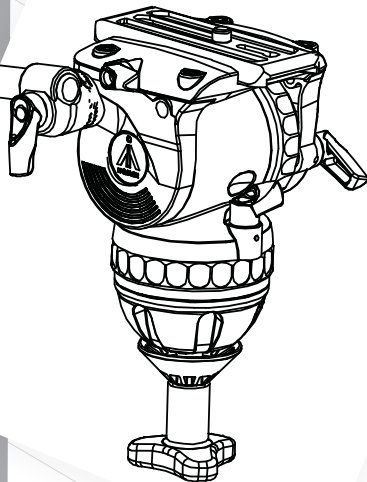
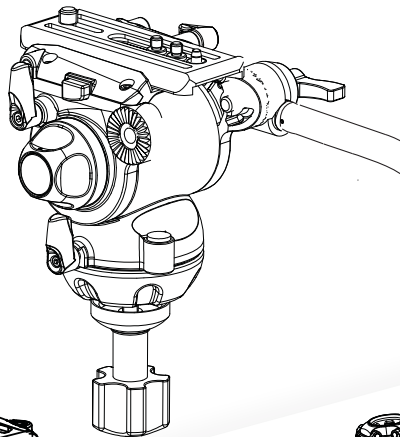
Fax :0574-86590078

E-mail:sales@eimagevideo.com

<http://www.eimagevideo.com>



E-IMAGE



All for you



Thank you for purchasing E-IMAGE professional heads and tripods. This manual is an important tool for personnel who operate and maintain this equipment. Inside, you will find detailed information about E-IMAGE tripods and heads, and their proper use. We highly recommend you read the manual carefully and familiarize yourself with each section. There is also a section about safety and maintenance to help you keep your equipment in perfect condition and extend its life.

Please keep this manual for reference while operating and maintaining your equipment.



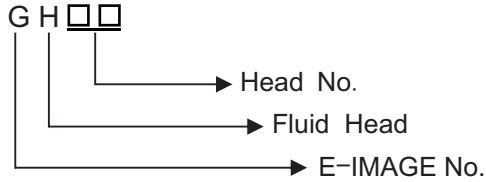
The E-IMAGE GENTING Series is an upgraded generation of E-Image fluid heads with international influences, innovative designs, and more advanced functions. We refined the counterbalance and drag systems, making balancing faster and simpler. This new series can handle a wider payload range, from 8.8 to 55 pounds, and works with many different styles of camera. Pan handles with rubber grips are included for precise camera movements and are extendable in some models. Each head also has an installed bubble level, and advanced heads have an LED light installed for making adjustments in the dark.



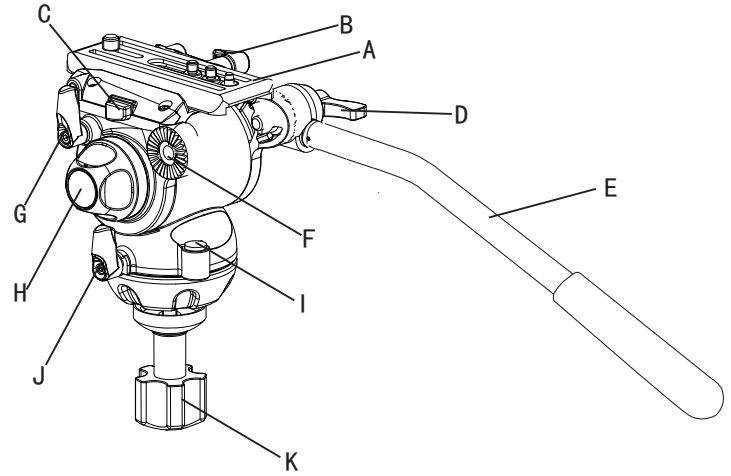
Fluid Head Specifications	1
Parts(GH03)	2
Set up & Use	3-5
1.Installing the Pan Handle.....	3
2.Removing the Quick Release Plate.....	3
3.Adjusting Tilt Position.....	4
4.Adjusting Pan Position.....	4
5.Drag Adjustment for Pan and Tilt.....	4
6.Mounting the Camera.....	5
7.Extra functions of the GP1 Quick Release Plate.....	6
Parts(GH06-GH25)	7
Set Up & Use(GH06-GH25)	8-12
1.Installing the Pan Handle.....	8
2.Mounting to a Tripod.....	8
3.Removing the Quick Release Plate.....	8
4.Mounting a Camcorder.....	9
5.Mounting a Camera.....	9-10
6.Adjusting the Counterbalance Settings.....	11
7.Adjusting the Tilt Drag.....	11
8.Adjusting the Pan Drag.....	12
9.Changing the Batteries (GH08/08L/10/10L).....	13
10.Changing the Batteries (GH15,GH25).....	14



Tripod Specifications	15-16
Parts(AT7402A)	17
Use AT7402A	18-19
1. Releasing and Locking the Legs.....	18
2.Adjusting Tripod Height.....	18
3.Anti-Slip Rubber Feet.....	18
4. Folding the Tripod for Storage.....	19
Parts(GA/GC101)	20
Parts(GA/GC102)	21
Parts(GA/GC751 GA/GC752)	22
Use(GA/GC751 GA/GC752 GA/GC101 GA/GC102)	23-24
1. Releasing and Locking the Legs.....	23
2.Adjusting the Mid-Level Spreader.....	23
3. Adjusting the Ground Spreader.....	23
4. Removing the Mid-Level Spreader.....	24
5.Installing and Removing a Ground Spreader.....	24
6.Folding the Tripod for Storage.....	24
Maintenance	25
Notices & Warnings	26



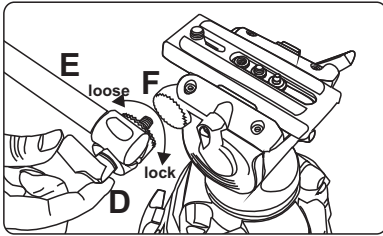
Model No.	Bowl size	Net weight	Load capacity	Grades of drag	Counterbalance	Tilt range	Temperature range
GH01	65mm	1.3kg	5kg	Fixed	Fixed	+80° ~ -65°	-30°C ~ 60°C
GH03	75mm	1kg	4kg	Variable (Tilt)	Fixed	+90° ~ -60°	-40°C ~ 80°C
GH05	75mm	1.7kg	3-8kg	Fixed	0-2	+90° ~ -45°	-30°C ~ 60°C
GH06	75mm	1.6kg	6kg	0-3	0-5	+90° ~ -60°	-40°C ~ 80°C
GH08	75mm	1.7kg	8kg	Fixed	0-6	+90° ~ -60°	-40°C ~ 80°C
GH10	75mm	1.9kg	10kg	0-3	1-7	+90° ~ -60°	-40°C ~ 80°C
GH10L	100mm	2kg	10kg	0-3	1-7	+90° ~ -60°	-40°C ~ 80°C
GH15	100mm	3.7kg	15kg	0-5	0-9	+80° ~ -75°	-40°C ~ 80°C
GH20	100mm	3.8kg	20kg	Fixed	0-8	+90° ~ -60°	-30°C ~ 60°C
GH25	100mm	4kg	25kg	0-7	1-15	+90° ~ -80°	-40°C ~ 80°C



- A Quick Release Plate
- B 快速释放板
- C Quick Release Plate Release Button
- D Pan Handle Locking Thumb Screw
- E Pan Handle
- F Pan Handle Mounting Rosette
- G Tilt Locking Knob
- H Tilt Drag Adjustment Knob
- I Bubble level
- J Pan locking knob
- K Bowl Locking Knob

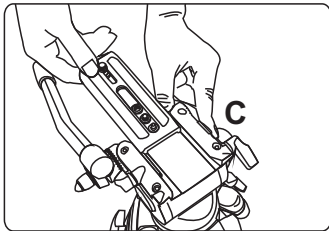
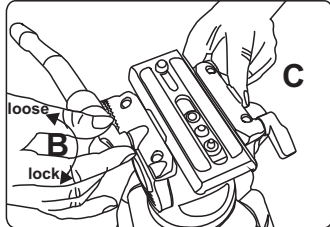
1. Install Pan Handle

Place the pan handle E in the desired position on the pan handle mounting rosette F, then secure it by tightening pan handle locking thumb screw D.



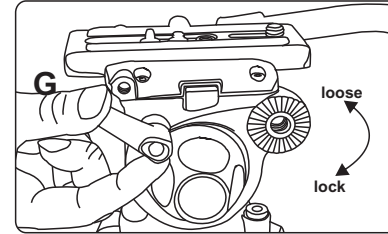
2. Removing the Quick Release Plate

Loosen the quick release plate locking knob B, then press the quick release plate release button C while sliding the plate A towards the back of the head.



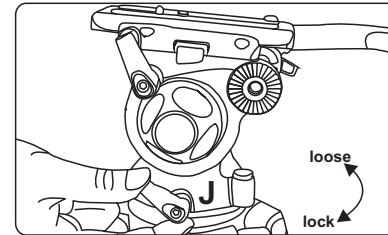
3. Adjusting Tilt Position

Loosen the tilt locking knob G to change tilt position. Tighten the knob to lock the tilt position.



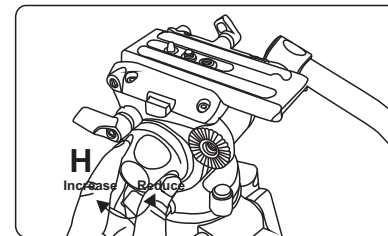
4. Adjusting Pan Position

Loosen the pan locking knob J to change the pan position. Tighten the knob to lock the pan position.

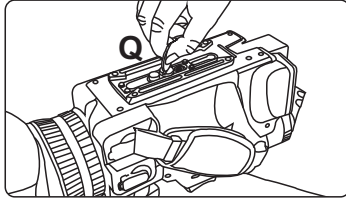


5. Tilt Drag Adjustment

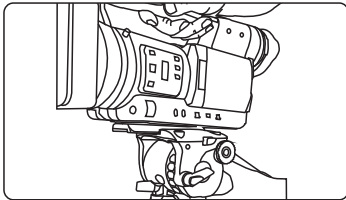
Increase tilt drag by turning the tilt drag adjustment knob H clockwise (as if tightening a screw). Reduce the tilt drag by turning the knob H counter-clockwise (as if loosening a screw).



6. To mount a camera or camcorder, remove the quick release plate from the tripod head. Attach the plate to the camera using the included 1/4"-20 or 3/6"-16 screw. Take care not to over-tighten the screw.

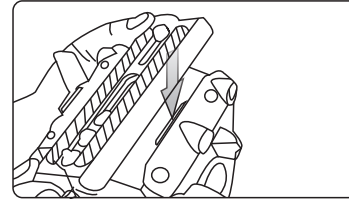


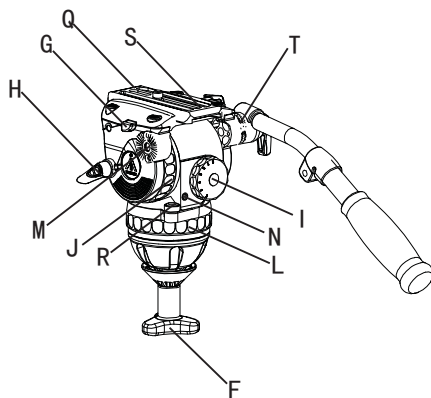
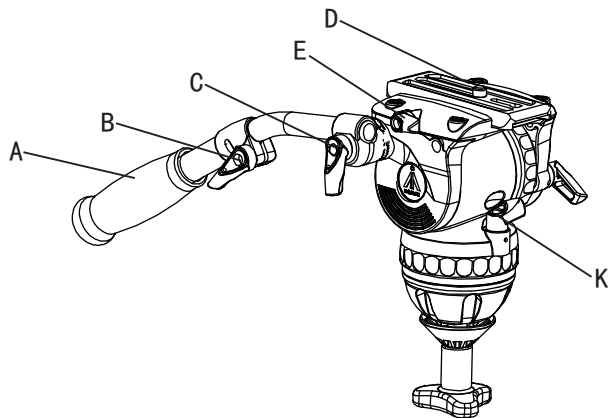
7. With the pan and tilt locked on the head, slide the camera plate onto the head, moving from the back to the front of the head, until the locking button C clicks. Balance the camera by placing the camera's center of gravity as close to the center of the head as possible, then tighten quick release plate lock B.



8. Extra Functions of GH03, GH06 plate

The GH03 and GH06 fluid heads have a special clip that allows the GP1 quick release plate to be pressed down into place. Press one side of the plate against the normal side of the quick release plate track, then press the other side down against the spring clip until the clip clicks, and the plate is secured in place.

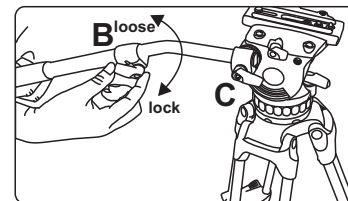
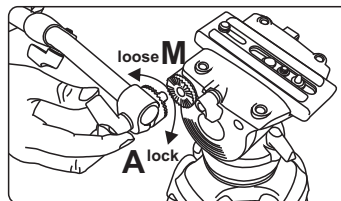




APan Handle
BPan Handle Length Adjustment Knob
CPan Handle Locking Thumb Screw
DQuick Release Plate Camera Locking Screw
EQuick Release Plate Locking Knob
FBowl Locking Knob
GQuick Release Plate Release Button
HTilt Locking Knob
ICounterbalance Adjustment Dial
JTilt Drag Adjustment Dial
KPan Locking Knob
LPan Drag Adjustment Dial
MPan Handle Mounting Rosette
NBubble Level LED Power Button
QQuick Release Plate
RBubble Level
SRubber Washer
TPan Handle Locking Washer

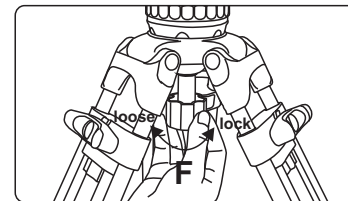
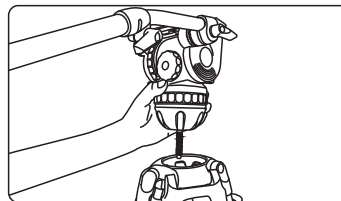
1. Installing Pan Handle

Place the pan handle A in the desired position on the rosette M and tighten the locking thumb screw C, making sure the locking washer T is in place between the handle and rosette. Loosen the length adjustment knob B on the pan handle to adjust the length of the handle. Length adjustment is only available on GB2 and GB3 pan handles.



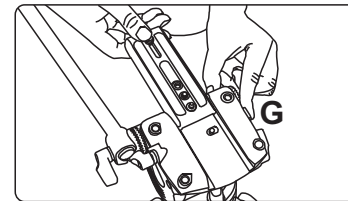
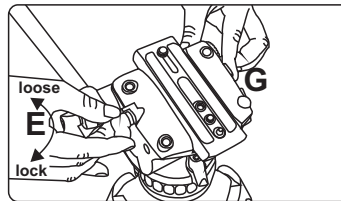
2. Installing the Fluid Head on a Tripod

Adjust the tripod to the desired height, and place the ball of the head into the bowl of the tripod. Level the head using the bubble level R, and secure the bowl locking knob F onto the bottom of the head on the underside of the tripod bowl.



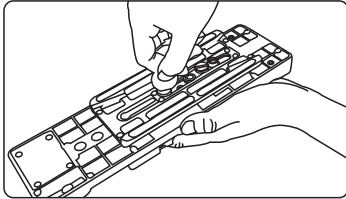
3. Removing the Quick Release Plate

Loosen locking knob E and hold the release button G while sliding the plate toward the rear of the head.

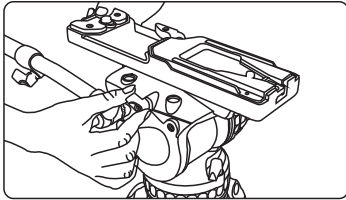


4. Mounting a Large Camera with the PS-C VCT-14 Adapter

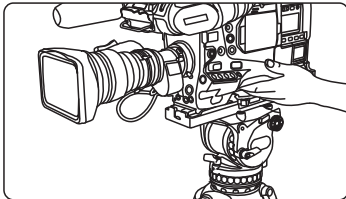
4.1 Attach the quick release plate to the bottom of the VCT-14 mounting adapter (part no. PS-C) using the 1/4"-20 or 3/8"-16 screws included with the head. Take care not to over-tighten the screws when mounting the plate.



4.2 Slide the quick release plate onto the tripod head. The plate release button will click when it is in place.

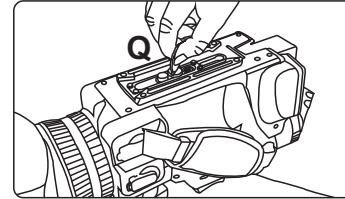


4.3 Make sure the head's pan and tilt axis are locked, and attach the camera's VCT-14 wedge to the PS-C adapter. It will click when it is locked in place. Loosen the quick release plate lock and adjust the position of the camera to find the desired center of balance.

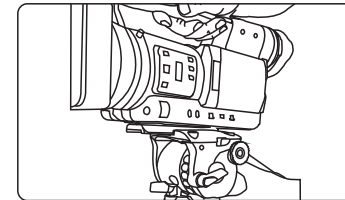


5. Mounting the Camera to the Quick Release Plate

5.1 Attach the quick release plate to the bottom of the camera using the included 1/4"-20 or 3/8"-16 screws. Take care not to over-tighten the screw when mounting the camera.

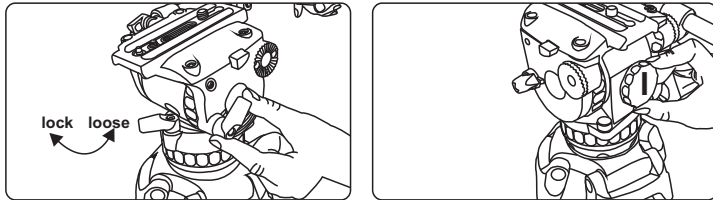


5.2 Make sure the head's pan and tilt axis are locked, then slide the quick release plate onto the head, moving from the rear to the front. The plate release button C will click when the plate is in place. Slide the plate along the track until you find the center of balance, then lock the plate in place with the locking knob E.



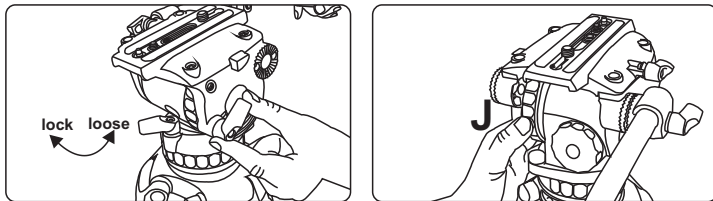
6. Adjusting Counterbalance Settings

Loosen the tilt locking knob H and hold the head steady with the pan handle. Turn the counterbalance dial I to a setting that allows the camera to remain in position without operator assistance. Lower numbers mean less tension; higher numbers use more tension to balance loads.



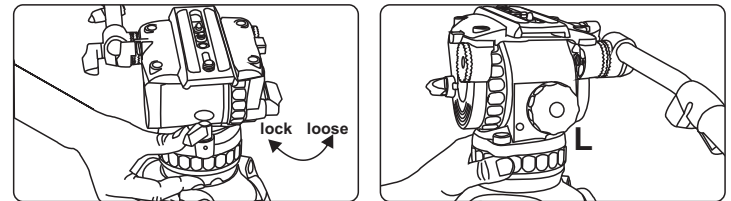
7. Adjusting Tilt Drag

Loosen the tilt locking knob H. Turn the tilt drag adjustment dial J to the desired setting. Lower numbers give less resistance; higher numbers offer more resistance.



8. Adjusting Pan Drag

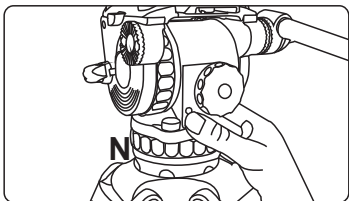
Loosen the pan locking knob K. Use the pan drag adjustment dial L to set the desired amount of pan drag. Lower numbers give less drag; higher numbers offer more resistance.



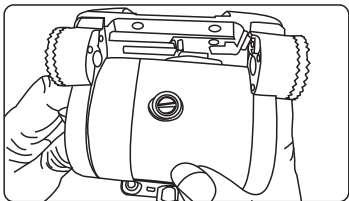
9. Changing the Battery on the Bubble Level LED Light

(GH08, GH08L, GH10, GH10L)

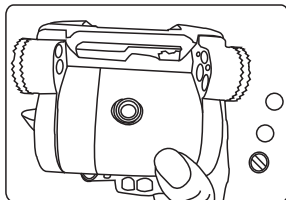
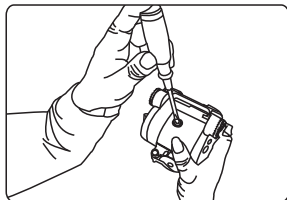
9.1 Test the light by pressing button N to turn it on. If the light turns on, the batteries are still good. The light will turn itself off automatically after 25 seconds.



9.2 To change the batteries, begin by reducing tilt drag and counterbalance to their lowest settings and make sure the tilt axis is unlocked. Tilt the head all the way back to expose the battery compartment, and lock the head in place with the compartment exposed.

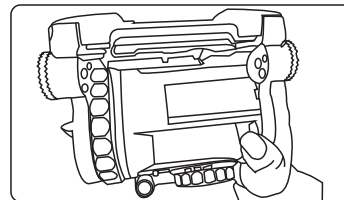


9.3 Remove the battery compartment cover with a flat head screwdriver to access the battery chamber. The GH08, GH08L, GH10, and GH10L heads use 2x LR41 button batteries. Once the batteries are replaced screw on the battery cover and carefully release the tilt lock to return the head to its normal position.

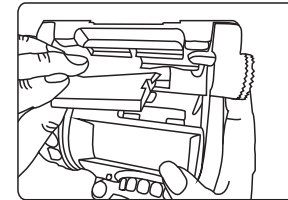
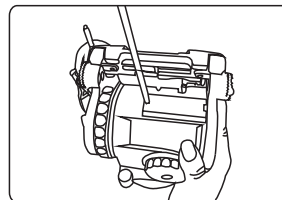


10. Changing Batteries (GH15, GH25)

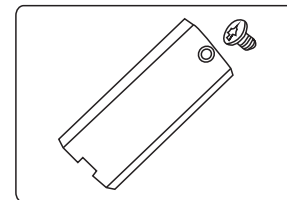
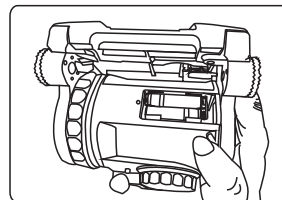
10.1 Check the battery using the LED activation button N



10.2 If the battery must be changed, reduce tilt drag and counterbalance to their lowest settings and unlock the tilt axis. Tilt the head all the way back to expose the battery chamber, and lock the tilt axis.

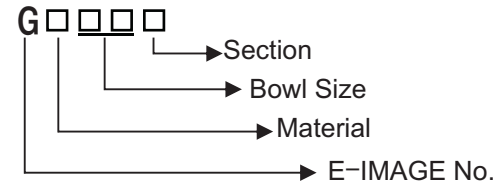


10.3 Use a Phillips head screwdriver to remove the battery cover. The GH15 and GH25 heads use AAA style batteries. Replace the old batteries with two new ones, and re-install the battery cover. Carefully unlock the tilt axis to restore the head to its normal position.



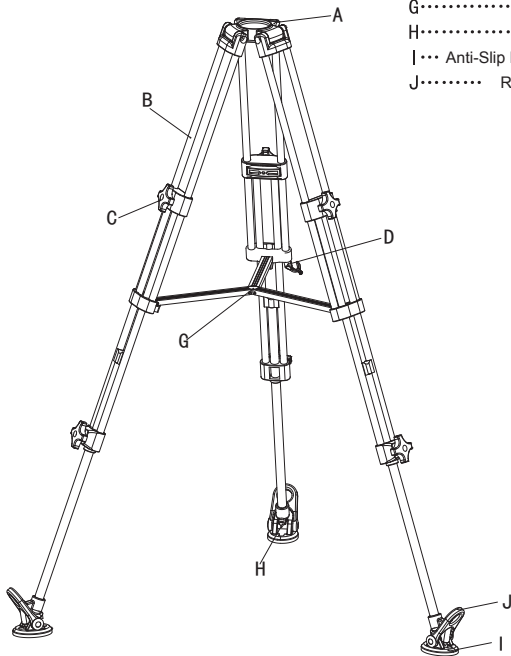


The E-IMAGE GENTING series is a new generation of E-IMAGE tripods. These tripod legs are all made of high-grade aluminum or carbon fiber materials. The newly designed lock system and patented locking mechanisms provide smooth, quick, and secure locking and unlocking. Equipped with standard 65mm, 75mm, and 100mm bowl systems, E-IMAGE legs will work with any standard video heads. Each tripod can be fitted with mid-level and/or ground spreaders for added stability, or paired with an assortment of dollies for mobility. These tripods are compact when closed, and easy to transport with an assortment of available carrying cases.



Model No.	Bowl Size	Description	Height Range	Transport length	Weight	Payload
AT7402B	65mm	Two stage Aluminum	650-1510mm	695mm	3.3kg	40kg
GA751	75mm	Single stage Aluminum	780-1380mm	820mm	2.9kg	40kg
GC751	75mm	Single stage carbon fiber	780-1380mm	820mm	2.6kg	40kg
GA752	75mm	Two stage Aluminum	630-1570mm	720mm	3.5kg	40kg
GC752	75mm	Two stage carbon fiber	630-1570mm	720mm	3.2kg	40kg
GA101	100mm	Single stage Aluminum	790-1400mm	845mm	4.4kg	60kg
GC101	100mm	Single stage carbon fiber	790-1400mm	845mm	3.7kg	60kg
GA102	100mm	Two stage Aluminum	470-1600mm	730mm	4.9kg	60kg
GC102	100mm	Two stage carbon fiber	470-1600mm	730mm	4.4kg	60kg

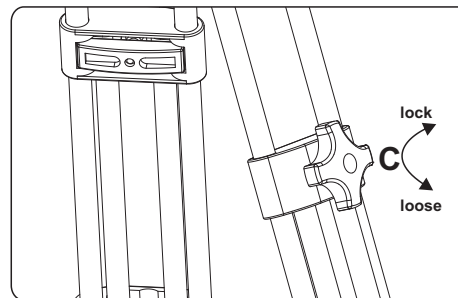
- A..... Bowl Base
 B..... Leg Tube
 C..... Locking Knob
 D..... Retractable Easy Hook
 G..... Mid-Level spreader
 H..... Spiked Tripod Foot
 I..... Anti-Slip Rubber Pad (Part no. F3)
 J..... Rubber Foot Securing Tab



1.Lock and Unlock Leg Stages

To Loosen: Turn lock C counter-clockwise

To Lock: Turn lock clockwise



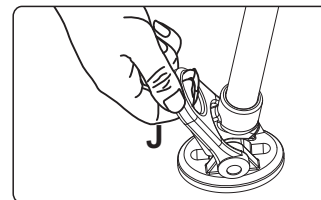
- ❗ Special Note: It is a best practice to unlock, adjust, and re-lock the tripod legs before the legs are unfolded.

2.Adjusting Tripod Height

Loosen the locking knobs on the leg or legs needing adjustment, set them to the desired height, then re-lock the leg stages.

3. Anti-Slip Rubber Feet

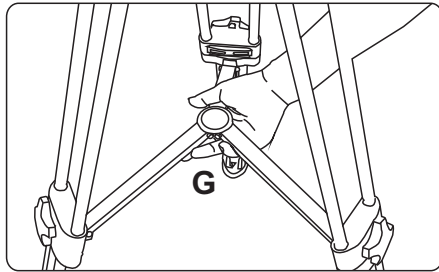
To remove the rubber feet, pull the foot-securing tab J up and over the lip of the foot, then lift the foot off of the tab.



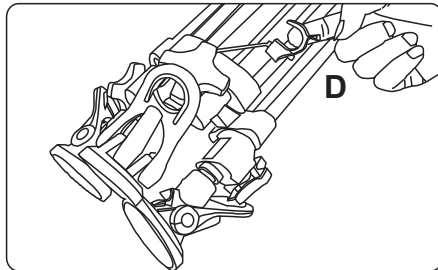
- ❗ Special Note: The spiked foot is used for shooting outdoors.

4. Folding Tripod

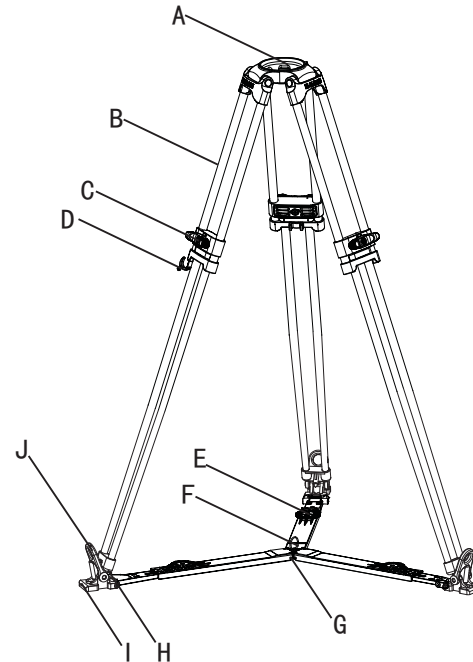
a: Loosen the locking knobs for all extended leg stages and reduce them to their minimum length, then re-lock all of the knobs



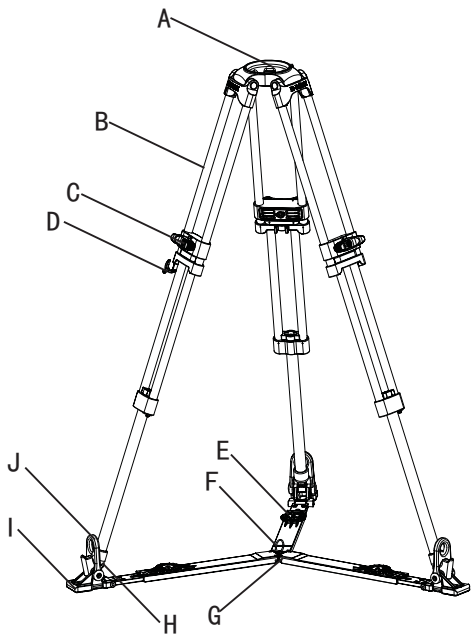
b: Holding the tripod by the bowl, lift up on the center of the mid-level spreader G and fold the legs together. Pull out the retractable easy hook D, wrap it around the legs, and secure the hook to a leg tube to secure the legs.



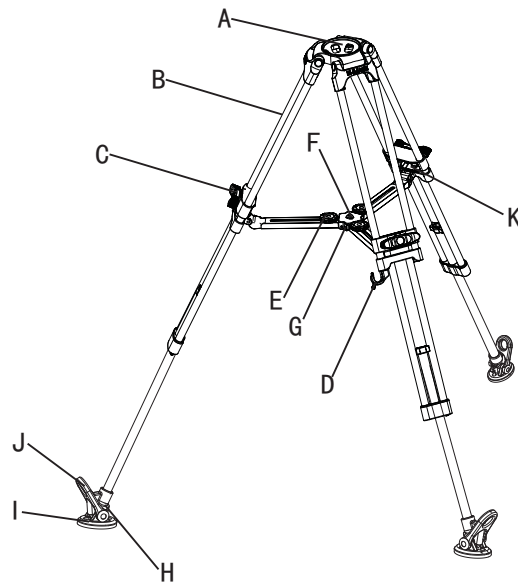
- A Bowl Base
- B Leg Tube
- C Patented Leg Lock (Mono-Lock) for Leg Stages
- D Retractable Easy Hook
- E Ground Spreader Locking Knob
- F Ground Spreader Pull Ring
- G Ground Spreader
- H Spiked Tripod Foot
- I Anti-Slip Rubber Foot
- J Rubber Foot Securing Tab



- ABowl Base
 BLeg Tube
 C ...Patented Leg Lock (Mono-Lock) for Leg Stages
 DRetractable Easy Hook
 EGround Spreader Locking Knob
 FGround Spreader Pull Ring
 GGround Spreader
 HSpiked Tripod Foot
 IAnti-Slip Rubber Foot
 JRubber Foot Securing Tab

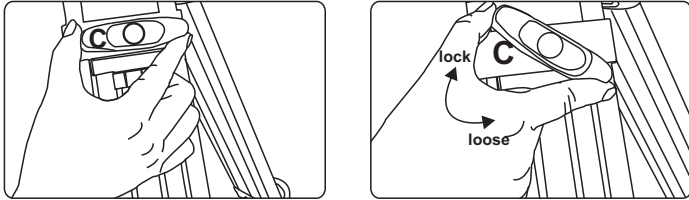


- ABowl Base
 BLeg Tube
 C ...Patented Leg Lock (Mono-Lock) for Leg Stages
 DRetractable Easy Hook
 EMid-Level Spreader Locking Knob
 FMid-Level Spreader Pull Ring
 GMid-Level Spreader
 HSpiked Tripod Foot
 IAnti-Slip Rubber Feet
 JRubber Foot Securing Tab
 KMid-Level Spreader Removal Pin



1. Loosening and Locking Tripod Legs

To Loosen: Turn locking knob C counter-clockwise
To Tighten: Turn locking knob C clockwise



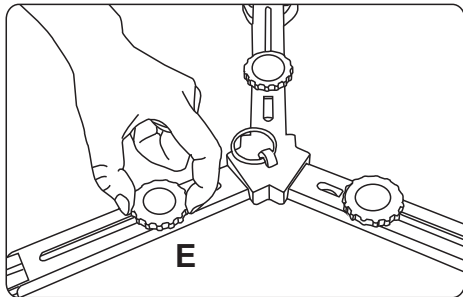
❗ **Special Note:** It is a best practice to unlock, adjust, and re-lock the tripod legs before the legs are unfolded.

2. Adjusting the Mid-Level Spreader

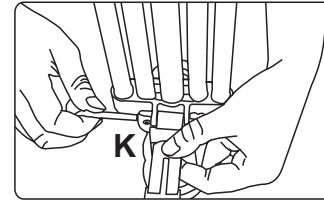
To make adjustments to the mid-level spreader, loosen the locking knob E and reposition the leg attached to that section of the spreader. When the adjustment is made, tighten the knob to re-secure the spreader.

3. Adjusting the Ground Spreader

To make adjustments to the ground spreader, loosen the locking knob E and reposition the leg attached to that section of the spreader. When the adjustment is made, tighten the knob to re-secure the spreader.

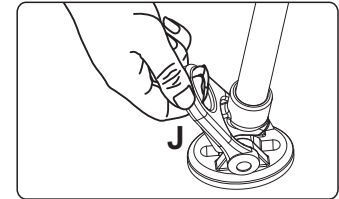
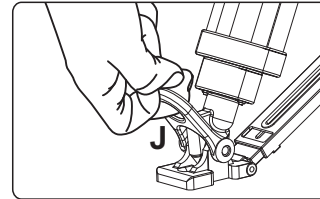


4. To remove the mid-level spreader, remove the retaining pin K located where the spreader attaches to the leg.



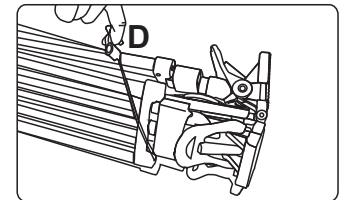
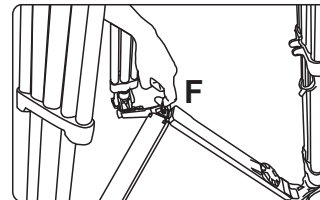
5. Installing a Ground Spreader

To install the ground spreader, remove the rubber tripod feet using the pull-tab J, placed the spiked tripod feet on the ground spreader, and secure them with the rubber tab J on the spreader.



6. Folding the Tripod

- Loosen the leg locks and collapse each leg to its minimum length, then lock the knobs.
- Unlock and reduce the all attached spreaders to their minimum size.
- Securing the tripod by the bowl, pull up on the spreader pull ring F and fold the legs, then pull out the easy hook D and wrap it around the legs, securing the hook to a leg tube.





Daily maintenance:

Storage and Transport:

- When head is not in use, loosen all locks and reduce drag and counterbalance to minimum settings.
- When tripod is not in use, do not store it vertically to avoid it falling and being broken.
- When tripod is not in use or is being transported, keep it safe in the carrying bag.

Inspection of Functions:

- Check the recommended payload and verify locks are functional before mounting anything on a tripod or head to avoid accidental damage.
- To prolong the life of a tripod and head, check and adjust locks, dials, and hardware on a regular basis.

Cleaning & Storage:

- Use a lint-free cloth to clean tripods, heads, and their individual components.
- Keep the tripod and head in a carrying case when they are not in use.
- Use a semi-stiff brush to remove debris and grime that cannot be easily wiped away.

Always engage safety devices like locks and easy hooks when applicable.

Do not use E-IMAGE tripods and fluid heads at temperatures less than -30°C or more than 60°C.

Clean with a mild detergent and soft cloth, a semi-stiff brush, or a vacuum. Check for dust, sand, and other debris in all moving parts. Dry after use in wet conditions.

Important: Products in this manual are not recommended for use in seawater.

If you have any questions during use, consult this manual or contact your local distributor for the fastest service.

In the event that an E-IMAGE product proves defective, contact the nearest authorized E-IMAGE service agent or distributor

