

HF40

Helia 40 Watt Bi-Color LED Fresnel Light

QUICKSTART GUIDE



What's Included

- 1 x Helia LED Fresnel Light
- 1 x Barn Doors
- 1 x Yoke
- 1 x AC Power Cord

ikan

www.ikancorp.com

support@ikancorp.com

CHECKED BY

713.272.8822

© 2015 ikan Corporation. All rights Reserved

Getting Started

Thank you for buying the HF-40 Spotlight from ikan. Please carefully read the instructions and guide before operating the products. The guide includes product usage and maintenance. When you operate the product, please make sure that you have read the instructions carefully.

All the content of the manual is based on up-to-date information; technical data subject to change without notice.

Safety Instructions

1. Connect the power cable to the AC120 Connector on the HF-40 Light before plugging into the power source. You risk electrocution by not following this instruction.
2. Don't drag cables with excessive force. Any repairs on the products should be performed by ikan technicians. Users should not remove the power supply, or else the damage will not be covered under warranty.
3. Be sure that the power is off before connecting and changing the fixture head or disconnecting your cable from the power source. We recommend using ikan customized connecting cables and connectors to avoid electrical shock.
4. The voltage shouldn't exceed the value in the technical specifications. If the voltage is greater than, or less than the regulated values, it could damage the product.

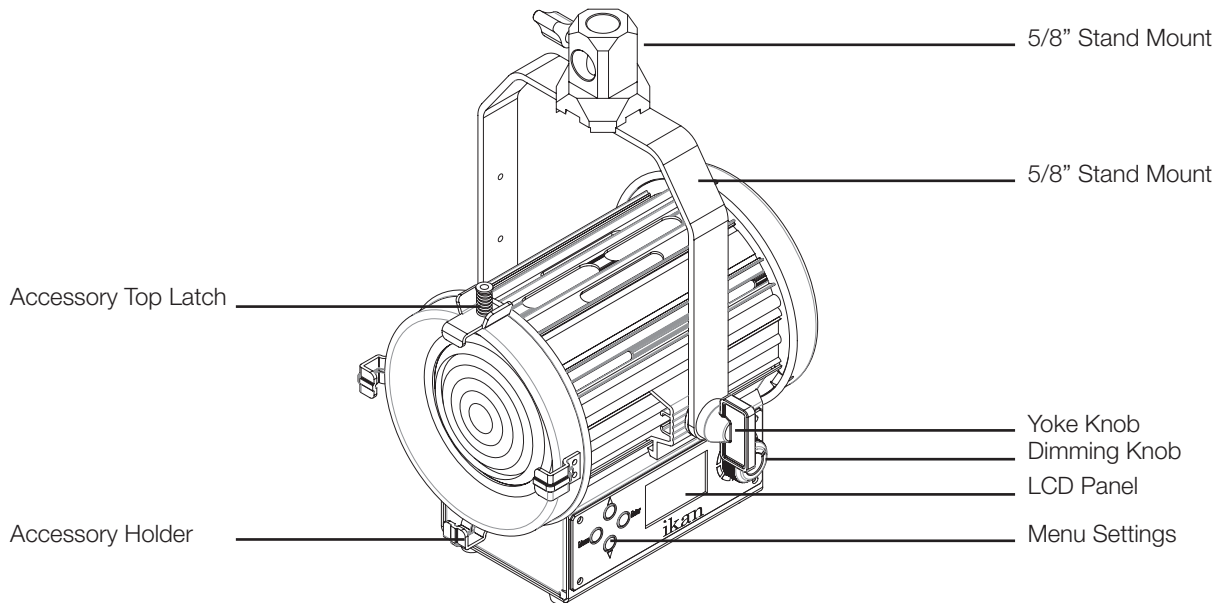
Overview

Benchmark color temperatures for today's film and TV production are 5600K (daylight) and 3200K (tungsten). Ikan developed the HF-40 Spotlight to handle both these temperatures. With patented technologies, the HF-40 offers a professional and customizable LED light source. In addition, the light features separately-cooling ducts for optimizing heat dissipation. Specifically, the HF-40 Spotlight offers the following features:

1. The 0-100% brightness incremental adjustment of the 2700K-5600K temperature enable fine-tuning your color range.
2. A four-inch diameter Fresnel lens provides even, well-distributed light
3. Ultra-low noise and active cooling technology contribute to excellent thermal stability.
4. The power supply will automatically cut off when the fixture overheats.
5. The bright LCD readout is easy to view, enabling smooth adjustment of functions.
6. Digitally adjustable knob allows you to adjust menu settings quickly and accurately.
7. AC/DC power supply, AC110VAC-270VAC, DC 12V.

Instructions

1. LED spotlight's housing is made aluminum alloy, which is heavy-duty, lightweight, flexible and easy to transport. The HF-40 structure is illustrated as follows:



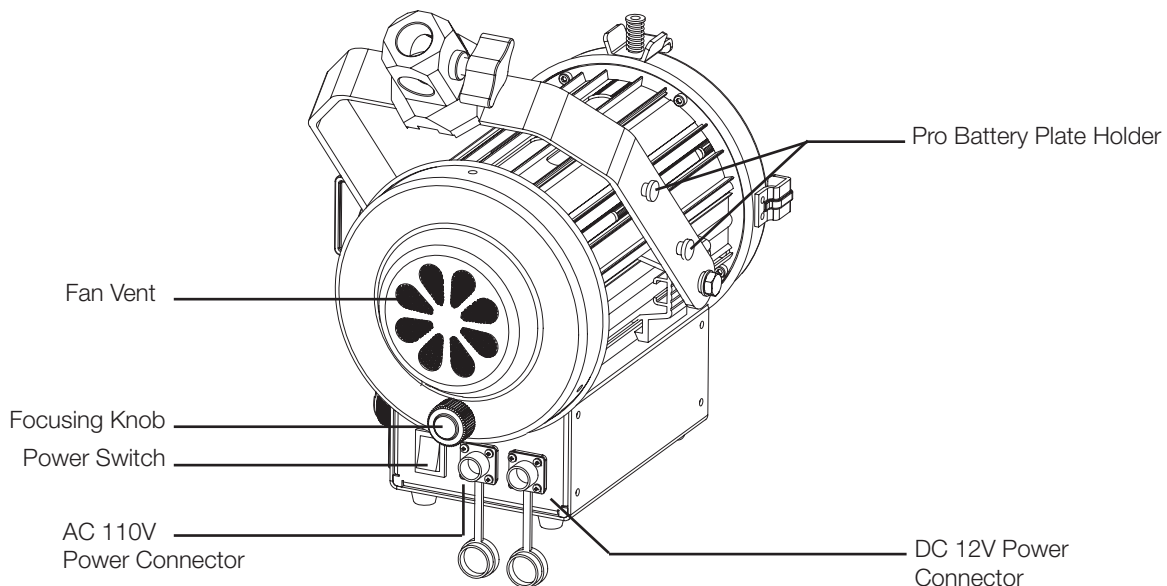
Appearance & Structure - Front

5/8 Receiver: Connecting the lamp with stands

Yoke: Adjustable lighting direction

The pushing claw of barn doors; the holding claw of barn doors:

LCD setting screen: displays brightness and color temperature.



Appearance & Structure - Back

Power switch: Turn on/turn off power

DC 12V Power Connector: Connecting with 12V DC

AC 220V Power Connector: Connecting with 220V AC

Fan Vent: Cooling and Ventilation

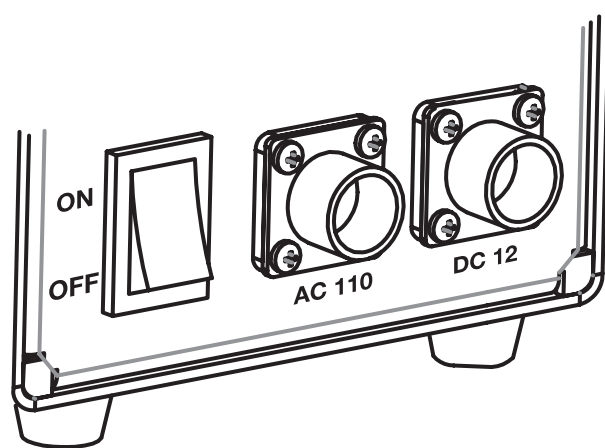
Focusing Knob: Changing the intensity and color of light

What's in the box?

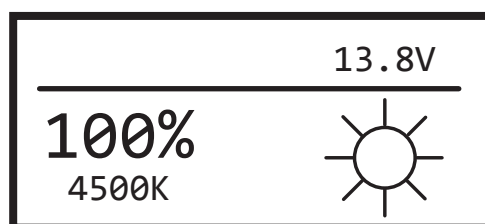
Please carry and place the packing box carefully. Check the lighting equipment and accessories upon opening the box. Please contact us if anything is damaged or missing. Please save the packing materials for replacing and repairing the products in the future.

Installation & Power Supply

1. Ensure power is off before installation
2. Place the light on the Ikan customized stands, release the tension knob on the 5/8" receiver, adjust the light in the desired direction, then tighten the tension knob on the 5/8" receiver.
3. When connecting the power cords, plug the AC power cords into the AC120 socket on the rear panel (as shown in the drawing). If batteries are used a power, plug the battery-powered wires into the DC12v socket. The battery voltage is 12v battery, and the battery capacity should be determined by the battery run time, 12V 7Ah battery may work for two hours approximately. It should be noted the light fixture cannot be powered by both AC Power supply and DC Power Supply simultaneously, otherwise the fixture may be damaged.



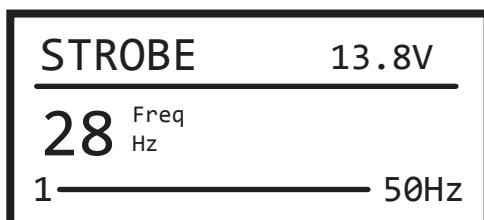
4. Illuminate light by pressing power switch. On the default screen (as shown below), the number 13.8V at the upper right corner indicates the current internal DC Voltage. When powered by the battery, it means the current battery voltage; however, this number will display in flashing status if the voltage is lower than 11V which indicates low battery voltage.



Shortcut Function

In the picture above, there are buttons A,B,M & E on the left. In the middle of the picture is the LCD Screen. On the right of the picture is the adjustment knob. During standard operation, the four buttons are featured by shortcut functions with the following details:

1. Button B Turn Light ON/OFF
2. Button E: Turn Strobe Mode, and Light dual color ON/OFF. To change the parameter of the strobe mode, go to the menu setting. Strobe mode is shown as follows:



The Strobe Mode Screen

Change the strobe frequency through the adjustable knob, as below:

Default screen - Dual Color - Strobe - Dual Color - Button 3 - Default Screen

1. Button A: Turn ON/OFF Color temperature. Change current parameters through the adjusting knob. Pressing the button for more than 3 seconds will lock the adjusting knob to prevent unintentional operation. Pressing it again will unlock.
2. Button M: Press to go to Menu setting mode.

Adjustable Knob

The knob is used to adjust the dual-color LED Light's illumination & color temperature in normal operation. Adjustment range of illumination is 0-100%, and adjustment range of color temperature is 2700K-5600K. In the strobe mode, it is used to adjust the flash rate, which is in the adjustment range of 1-50Hz. In the menu setting status, the knob is used for parameter settings. For specific adjustment parameters, see the following menu setting operation.

Menu Setting

Press button M to go to the menu setting status, as below:

ENGLISH/ MODE DMX SETUP ADVANCED

The functions of buttons in the setting menu are shown below:

1. Button B: Scroll down the screen or decrease the setup value.
2. Button E: Confirm the current modification or settings.
3. Button A: Scroll up the screen or increase the setup value.
4. Button M: Back to the previous menu.

Language

The first item in the menu is language selection (English/Chinese). Press button E to engage language selection. Choose the language using button A or B. Pressing button M can go back to the menu setting.

Mode

Use buttons A or B to scroll down the selection mode. Press the button E to go to mode-setting screen, where you can choose strobe mode or dual color mode. The parameter setup in dual color mode is shown as follows:

Bi-Colour	
Brightness	100%
Colour	5600K

Modified the brightness and color temperature through scrolling up and down the screen. Change the parameter using the adjustable knob in the dual color setting screen. After setting with the E Button, press the M button to get back to the previous menu.

Strobe Set	
Brightness	100%
Colour	5600K
Frequency	28Hz

In strobe mode there are three setting items: brightness, color temperature and flicker time. You can modify it in real time with adjusting knob in the shortcut of strobe mode. The detailed setup and modification are same as above.

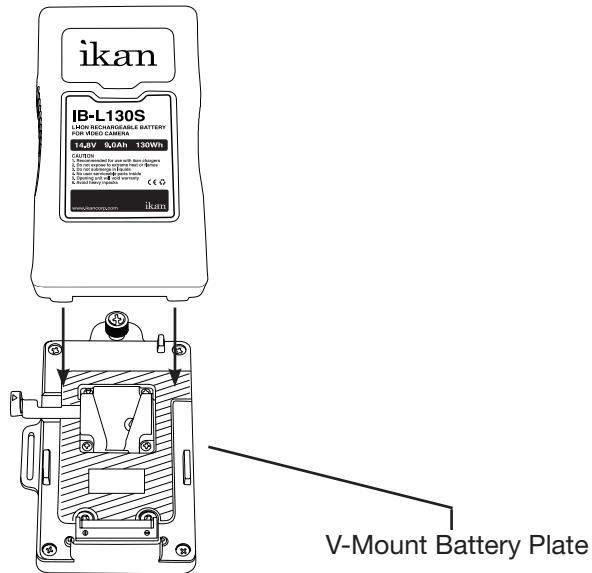
Description of Battery Usage

This product can use V-Mount Batteries. Battery plates can be customized according to customers' requirements.

Battery Plates

Load Batteries into plate as follows:

Slide batteries in the opposite direction as shown.



Hang battery plate on the installation position of the lamp's yoke, and lock screws tightly.



Examples of different ways to utilize the yoke to best suit your need (and how to position the battery plate accordingly).

Notice & Maintenance

1. The HF40 Spotlight working temperature range must be regulated. Overheating and under-cooling will reduce the LED working life.
2. Products must be placed on a stable, dry, flat surface. Avoid exposure to sunlight and operating in an environment with high humidity or explosive gas.
3. Don't cover the fan vent. It will shorten the working life of the fixture.
4. Don't beat, knock or shake the lighting equipment during the operation.
5. If the HF40 isn't working normally, please contact the Ikan repair department. Please don't disassemble/re-assemble by yourself.
6. Please place the HF40 in a cool and dry place when you don't use it for an extended period of time.

Troubleshooting

Failure	Failure Cause	Troubleshooting
Unit Won't Turn On	The power is connected incorrectly or the power switch is not turned on.	The power is connected incorrectly, press the power switch on.
	Turn off Light with shortcut button.	Turn on the light with the button B.
During the operation lamp is out.	Overheat protection was initiated by long time or environment temperature.	Turn off the power and restart lamp again when temperature is lower.
	Diodes or circuit damage.	Contact Ikan for repairing or replacing the new diodes.
	Overheat protection was initiated by fan failure.	Contact Ikan for repairing or replacing the fan.

Advanced Features

Bi-Color Light adjustable from 2700K-5600K
4" Fresnel with flood to spot
High CRI and TLCI
Can be powered by Pro V-Mount Battery
Flicker feature allows slow to fast strobe
Large digital readout for easy adjustment

Specifications

Brightness (lux)	Spotlight: 1368 / 2.5m, 420 / 4.5m Floodlight: 610 / 2.5m, 196 / 4.5m
Color Temperature	2700K-5600K adjustable
LED Source	40w 100-270 VAC
Beam Divergence	Spotlight 11 / Floodlight 55
Dimensions	7.7 x 9.25 x 13.8 In.
Weight	5.3 lbs
Protection Level	IP 23

Learn More

More dynamic information at official website: www.ikancorp.com

Support

Contact email: support@ikancorp.com

CONDITIONS OF WARRANTY SERVICE

- Free service for one year from the day of purchase if the problem is caused by manufacturing errors.
- The components and maintenance service fee will be charged if the warranty period is expired.

Free Service will not be Provided in the Following Situations:(*Even if the product is still within the warranty period.)

- Damage caused by abuse or misuse, dismantling, or changes to the product not made by the company.
- Damage caused by natural disaster, abnormal voltage, and environmental factors, etc.