

OYB240-2PT-KIT



Onyx 30W Bi-Color 2-Point LED Light Kit with x 2 OYB240



What's Included

- 1 x Carrying Bag
- 2 x Car Charger (Used To Charge Battery Only)
- 2 x Dual Battery AC Adapter (Used To Charge Battery Only)
- 2 x Dual Battery Charger
- 2 x Handle
- 2 x Light Stand
- 2 x OYB240 Light
- 2 x Power Adapter
- 2 x Shoe Mount
- 2 x Stand Adapter Bracket
- 4 x Battery

CHECKED BY

Getting Started

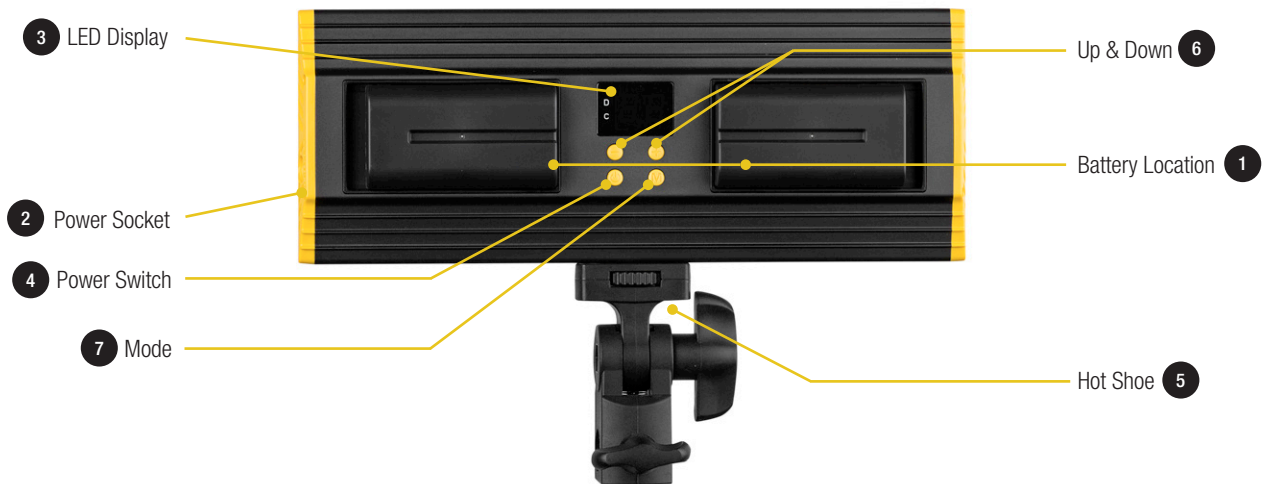
Thank you for buying the Onyx 120 Bi-Color On-Camera Light from Ikan. Please carefully read the instructions and guide before operating the product. When you operate the product, please make sure that you have read the instructions carefully.

Product Information

The OYB240 On-Camera Bi Color LED Video Light provides optimal brightness, performance, and color-changing capability in a lightweight, durable frame. Fitted with 30W high-quality LED bead, the OYB240 provides high brightness and sharp clarity of pictures. Taking advantage of excellent ventilation system, this light fixture gives off little to no heat.

The LED camera light OYB240 can be implemented as a primary or supplementary light for many lighting configurations. Powered by 1 pcs of 7.4V lithium battery or external DC power supply, this fixture is the ultimate on the go indoor and outdoor photo and video light. The OYB240 also includes a shoemount for installation on most DV and DSLR cameras. Elegant design with alum alloy housing, pocket size, the ultra thin LED camera light is the best companion for photographers.

Overview



1 Battery Location

2 Power Socket

External DC 13-17V Power Input

3 LED Display

When indicator is blue, the LED shows the brightness of the light ranging from 10-99%. When the indicator is orange, the LED display shows the color temperature of the light ranging from 3200K-5600K.

4 Power Switch

Long press for 1 second to power ON/OFF. Short press showing the battery remaining capacity.

5 Hot Shoe

6 Up & Down Buttons

These buttons are used to adjust the brightness of light and color temperature.

7 Mode Button

When indicator is blue, the + and - buttons adjust the brightness.

When indicator is orange, the + and - buttons adjust the color temperature.

Specifications

Fixture Specifications	
Output Power	30W
Luminous Flux	3000LM
Color Temperature	3200K-5600K
Dimmer	10-99%
Light Source	high-bright high-power SMD LED
Life Time	50,000
Lithium Battery Type	NP-F550, NP-F750, NP-960
DC Power Input	DC13-17V (Not Included)
Color Reading Inex	90+
Size	250 x 95 x 22 mm

Safety Instructions

- When using the light, check that the environment is dry and well-ventilated.
- Do not expose the device to rain or moisture.
- The voltage shouldn't exceed the values, it could damage the product.
- During transportation and installation process, please do not hit against other items, or it may damage the light.
- Do not look directly at the light bulbs with naked eyes with the light on.
- Do not place the light near flammable or volatile solvents such as alcohol or gasoline.
- If the OYB240 is not working normally, please contact the Ikan department.

Please do not disassemble/re-assemble.

Optional Accessories

Some other products that work well with the Onyx Light Kits available from Ikan include:

CP-STND-V3	Compact Light Stand Version 3
IBS-550	Sony L Series NP-F550 Compatible Battery
IBS-750	Sony L-Series NP-F750 Compatible Battery
IBS-970	Sony L-Series NP-F970 Compatible Battery

Learn More

More dynamic information at official website: www.ikancorp.com

Support

Contact email: support@ikancorp.com

CONDITIONS OF WARRANTY SERVICE

- Free service for one year from the day of purchase if the problem is caused by manufacturing errors.
- The components and maintenance service fee will be charged if the warranty period is expired.

Free Service will not be Provided in the Following Situations:(*Even if the product is still within the warranty period.)

- Damage caused by abuse or misuse, dismantling, or changes to the product not made by the company.
- Damage caused by natural disaster, abnormal voltage, and environmental factors, etc.

©2018 ikan Corporation. All rights reserved

