

PT-Elite-U

Universal Tablet Teleprompter QUICKSTART GUIDE



*Fits tablets between 5" x 7.5"
and 8" x 10.5"*

CONDITIONS OF WARRANTY SERVICE

- Free service for one year from the day of purchase if the problem is caused by manufacturing errors.
- The components and maintenance service fee will be charged if the warranty period has expired.

Free Service will not be Provided in the Following Situations: (*Even if the product is still within the warranty period.)

- Damage caused by abuse or misuse, dismantling, or changes to the product not made by the company.
- Damage caused by natural disaster, abnormal voltage, and environmental factors etc.

ikan

www.ikancorp.com

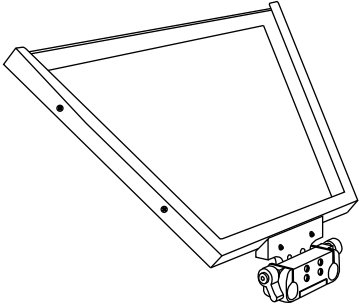
11500 S. Sam Houston Pkwy West, Houston, TX 77031
1.713.272.8822

support@ikancorp.com

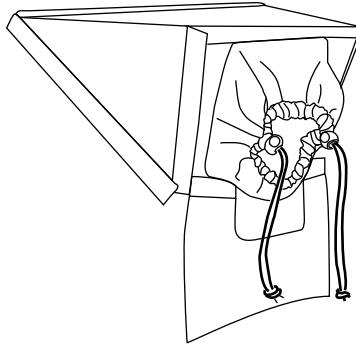
© 2013 ikan Corporation. All right reserved

Universal Tablet Teleprompter QUICKSTART GUIDE

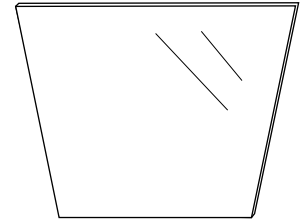
What's included



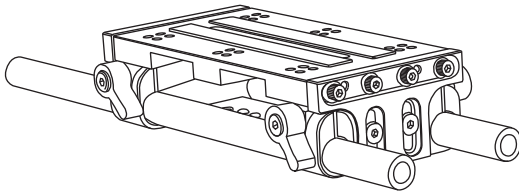
Glass Frame



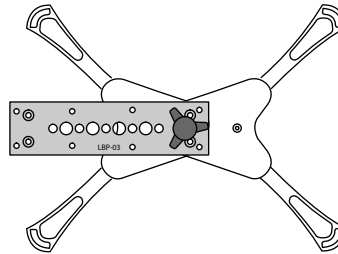
Hood



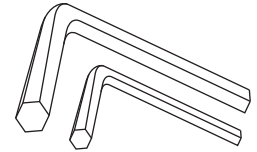
30/70 Prompter Glass



EV2 Adjustable Camcorder Baseplate (Large)



iPad Teleprompter Mount



1 x Hex Key 3mm
1 x Hex Key 2.5mm



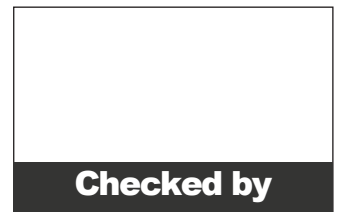
4 x Bumper



1 x D-Ring

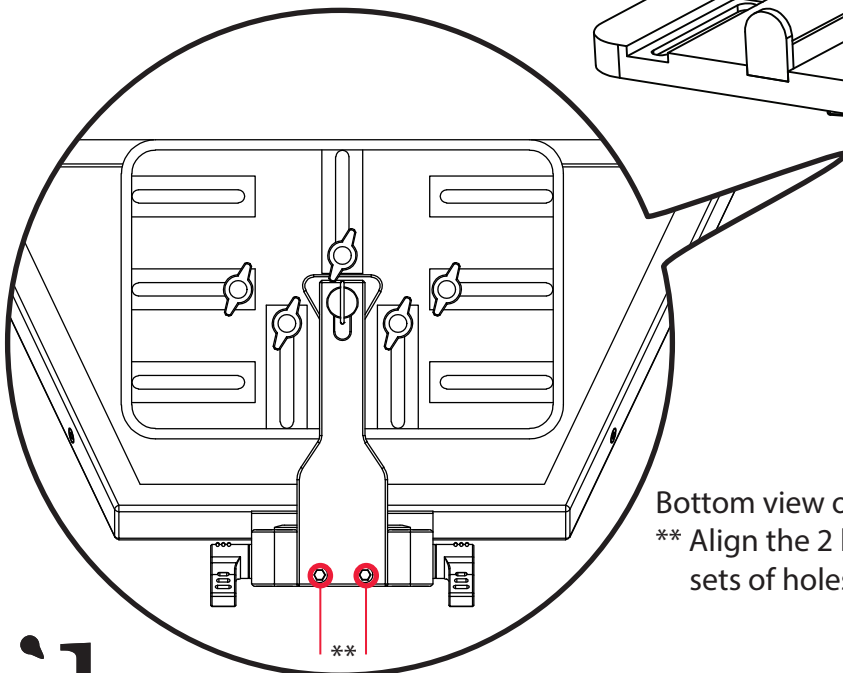
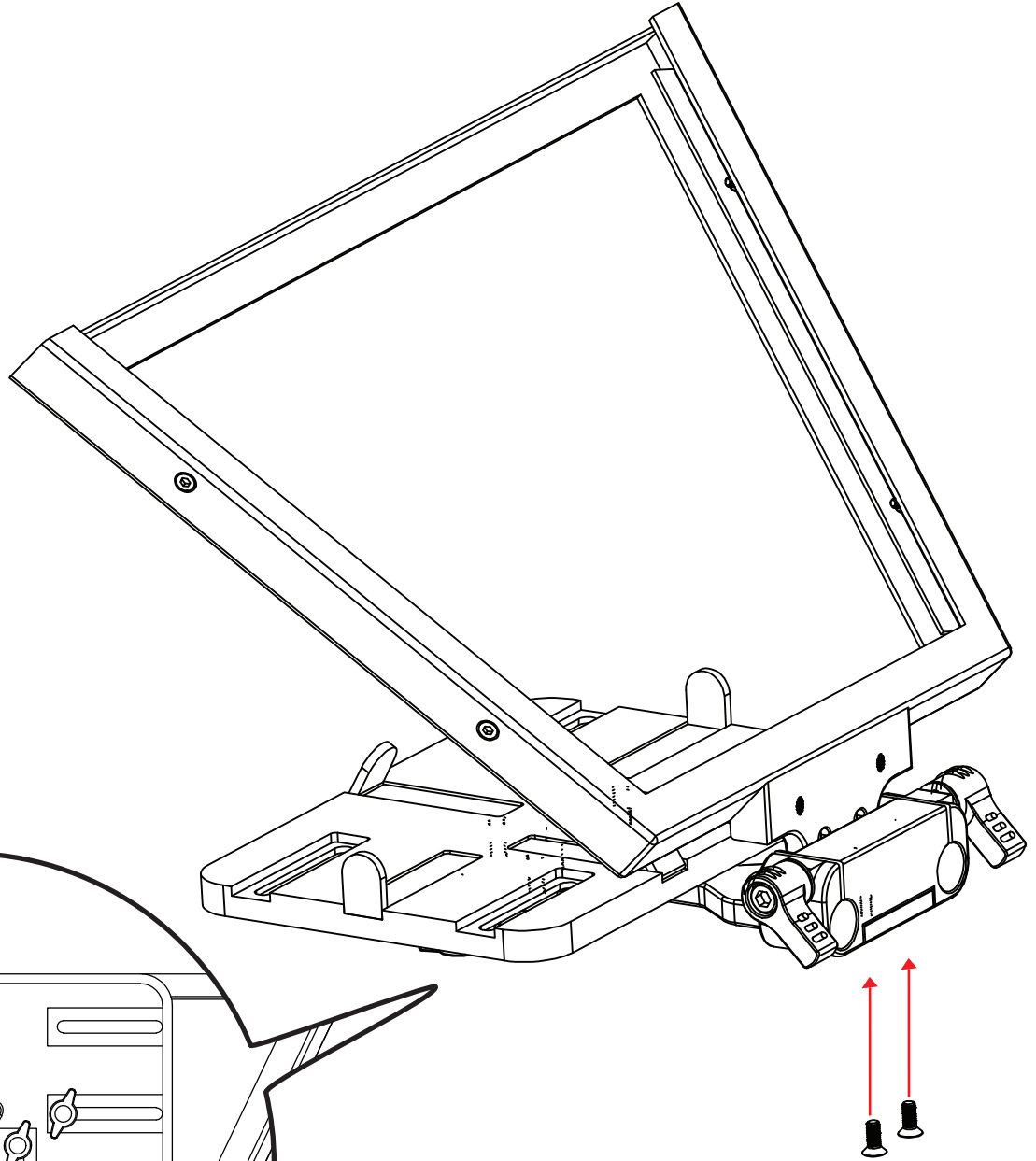


2 x 4mm X 12mm Socket Head Countersink Screw



Universal Tablet Teleprompter QUICKSTART GUIDE

1. Fit Frame to iPad Mount. Secure with 2 x Socket Head Countersink Screw.



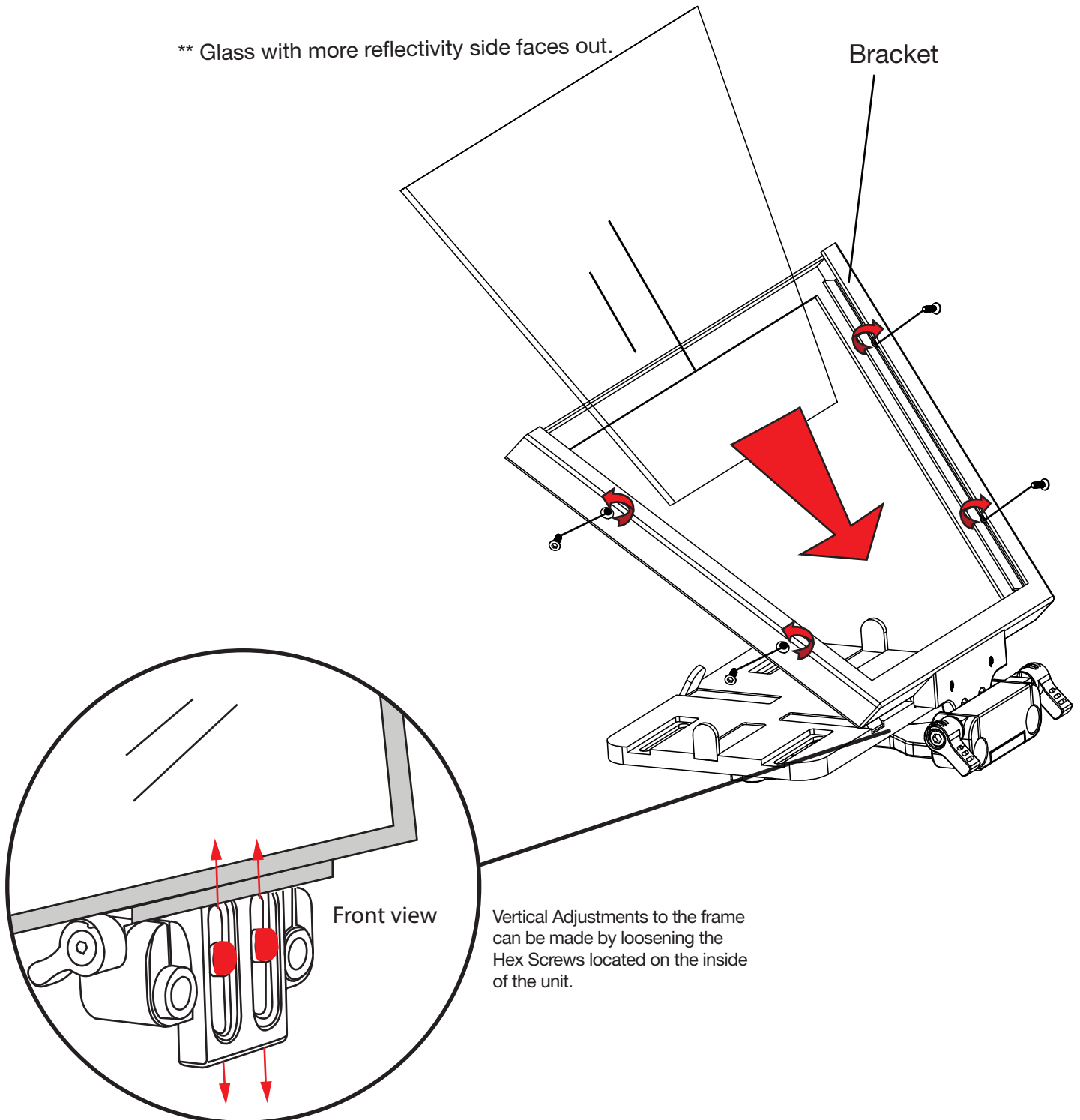
Bottom view of tablet Mount and Frame.

** Align the 2 holes under the tablet Mount to the highlighted sets of holes on PT-AKM-2.

Universal Tablet Teleprompter QUICKSTART GUIDE

2. Remove 4 x small frame screws and 2 x brackets. Insert prompter glass into frame. Secure prompter glass by replacing brackets and screws.

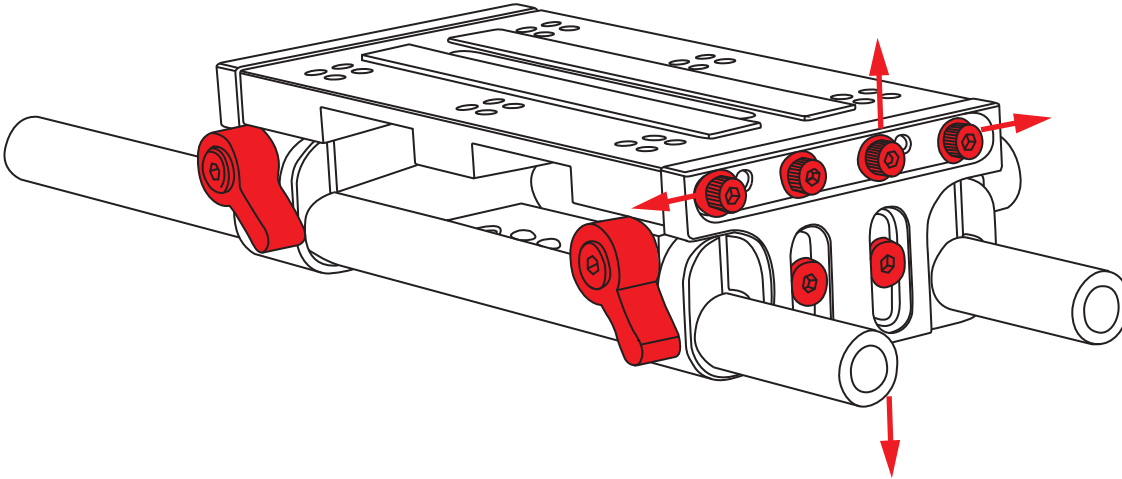
** Glass with more reflectivity side faces out.



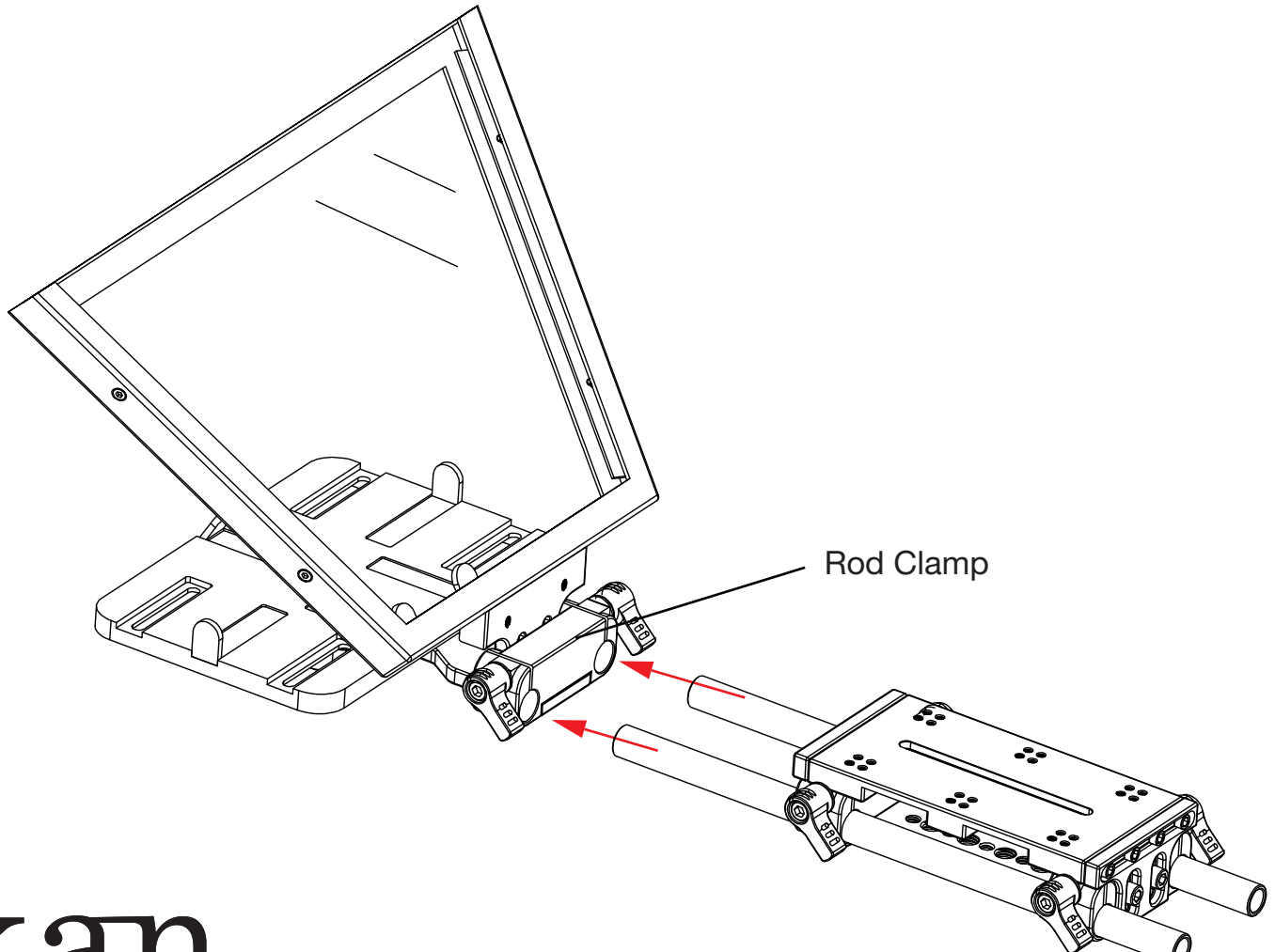
Universal Tablet Teleprompter QUICKSTART GUIDE

ADJUSTMENT POINTS *(adjust to fit your camera size)*

Numerous Adjustment Points allow for precise positioning modifications. Loosen Thumb Screws to move forward/backwards along 12" Rods. Loosen Hex Screws to make vertical and horizontal adjustments.

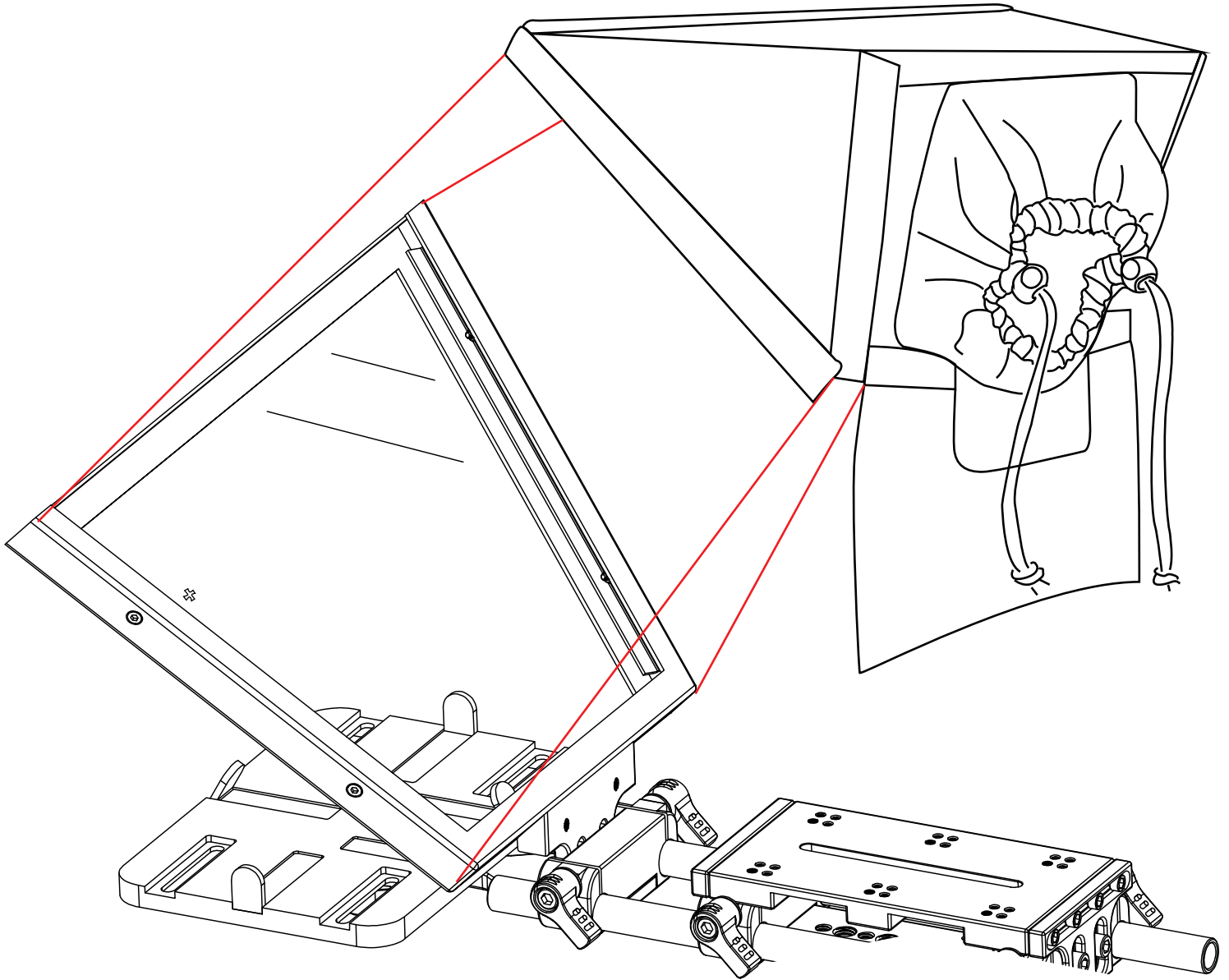


3. Secure Large Baseplate rods to Rod Clamp.



Universal Tablet Teleprompter QUICKSTART GUIDE

4. Attach the magnetic hood to glass frame.



Universal Tablet Teleprompter QUICKSTART GUIDE

QUICK RELEASE MOUNTING OPTIONS

The ikan Large Baseplate is compatible with both the Canon TA100 and ikan-WDGL Tripod Adapter Systems. Simply mount your Quick Release Plate to the bottom of the Large Baseplate component on the appropriate end, using four (4) Socket Head Countersink Screws.

