

# PT-Elite-UL

## Universal Large Tablet Teleprompter QUICKSTART GUIDE

---



*Fits tablets between 6" x 9"  
and 9" x 2"*

---

### CONDITIONS OF WARRANTY SERVICE

- Free service for one year from the day of purchase if the problem is caused by manufacturing errors.
- The components and maintenance service fee will be charged if the warranty period has expired.

Free Service will not be Provided in the Following Situations: (\*Even if the product is still within the warranty period.)

- Damage caused by abuse or misuse, dismantling, or changes to the product not made by the company.
- Damage caused by natural disaster, abnormal voltage, and environmental factors etc.

ikan

[www.ikancorp.com](http://www.ikancorp.com)

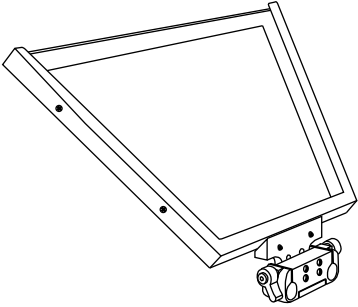
11500 S. Sam Houston Pkwy West, Houston, TX 77031  
1.713.272.8822

[support@ikancorp.com](mailto:support@ikancorp.com)

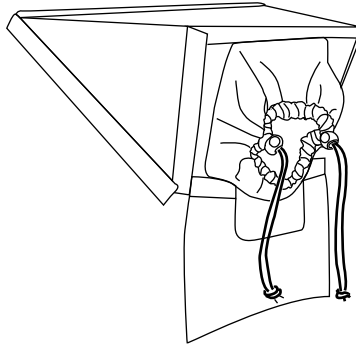
© 2013 ikan Corporation. All right reserved

## Universal Large Tablet Teleprompter QUICKSTART GUIDE

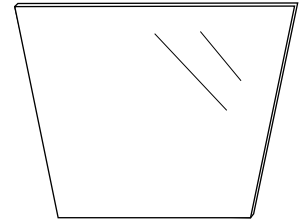
### What's included



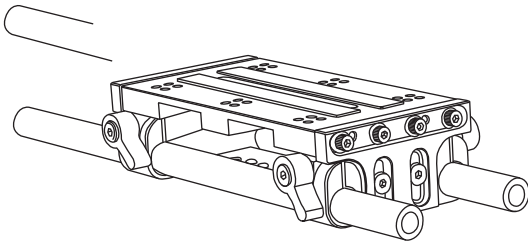
Glass Frame



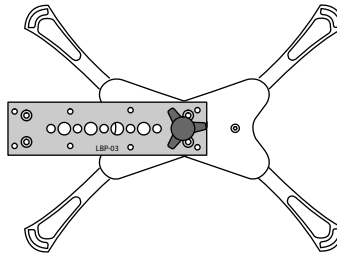
Hood



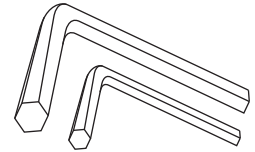
30/70 Prompter Glass



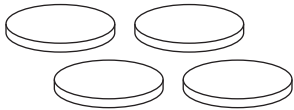
EV2 Adjustable Camcorder Baseplate (Large)



iPad Teleprompter Mount



1 x Hex Key 3mm  
1 x Hex Key 2.5mm



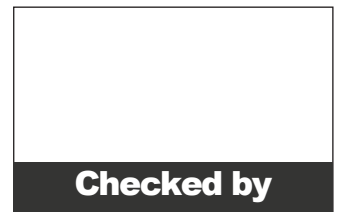
4 x Bumper



1 x D-Ring

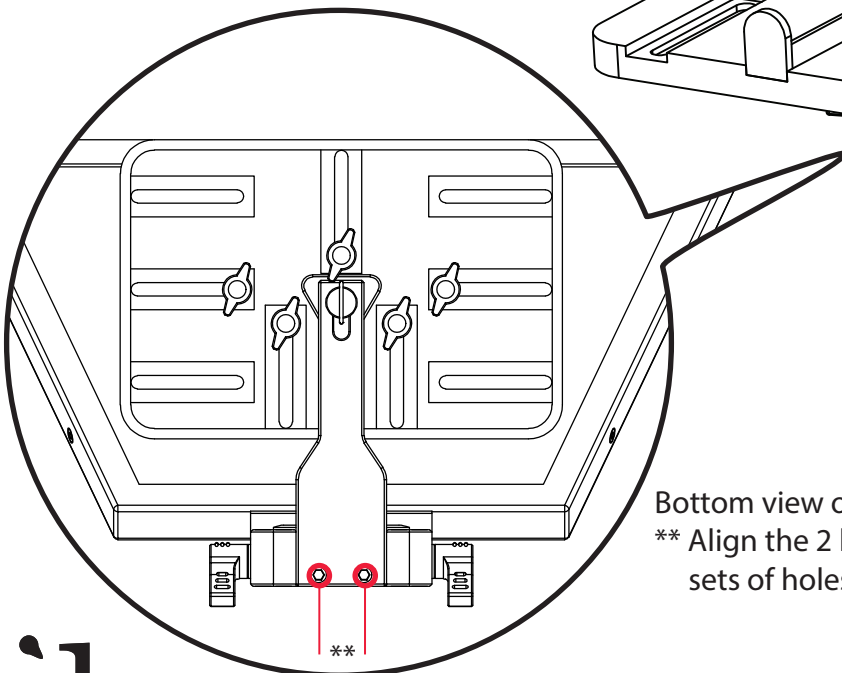
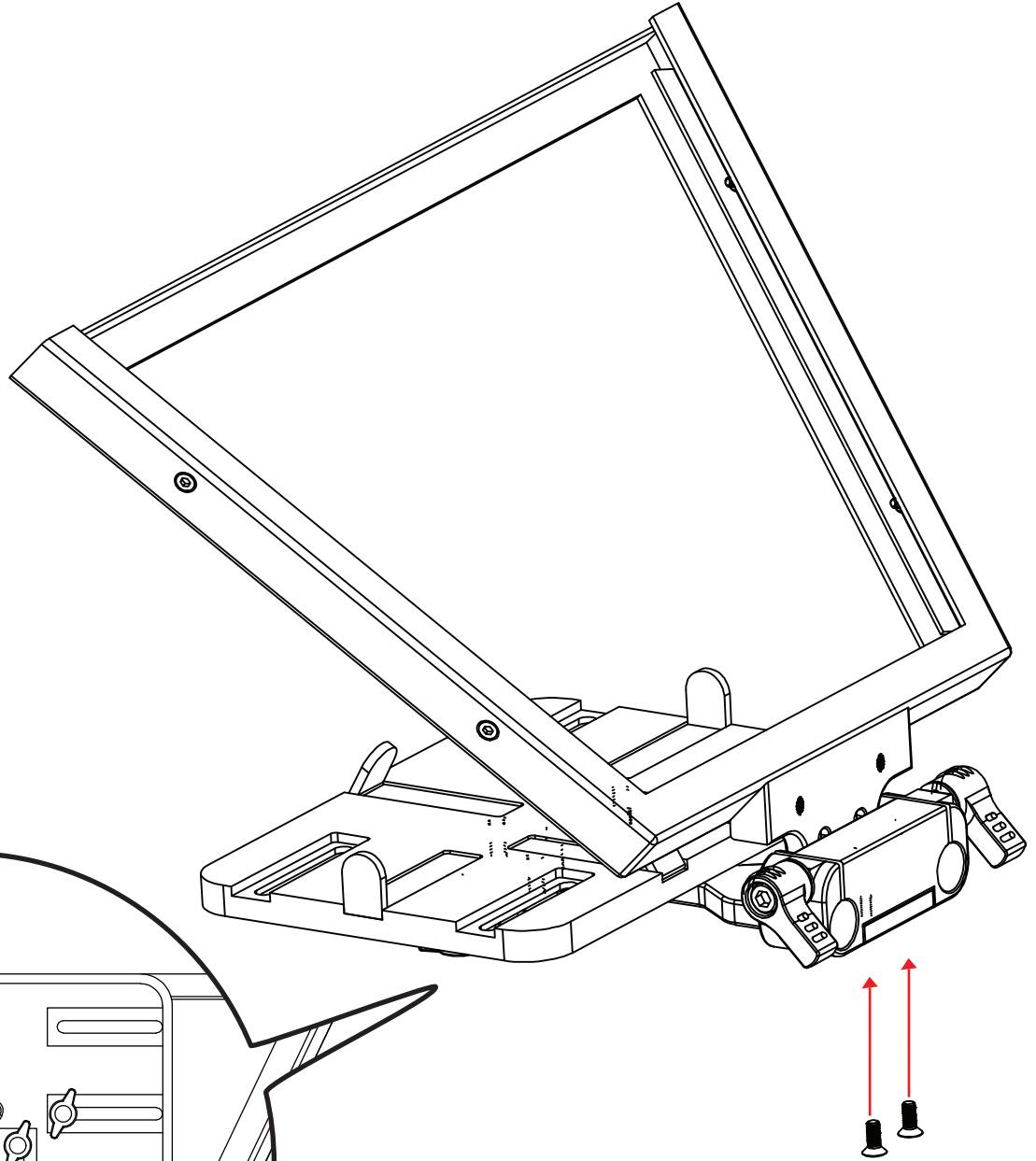


2 x 4mm X 12mm Socket Head Countersink Screw



## Universal Large Tablet Teleprompter QUICKSTART GUIDE

1. Fit Frame to iPad Mount. Secure with 2 x Socket Head Countersink Screw.



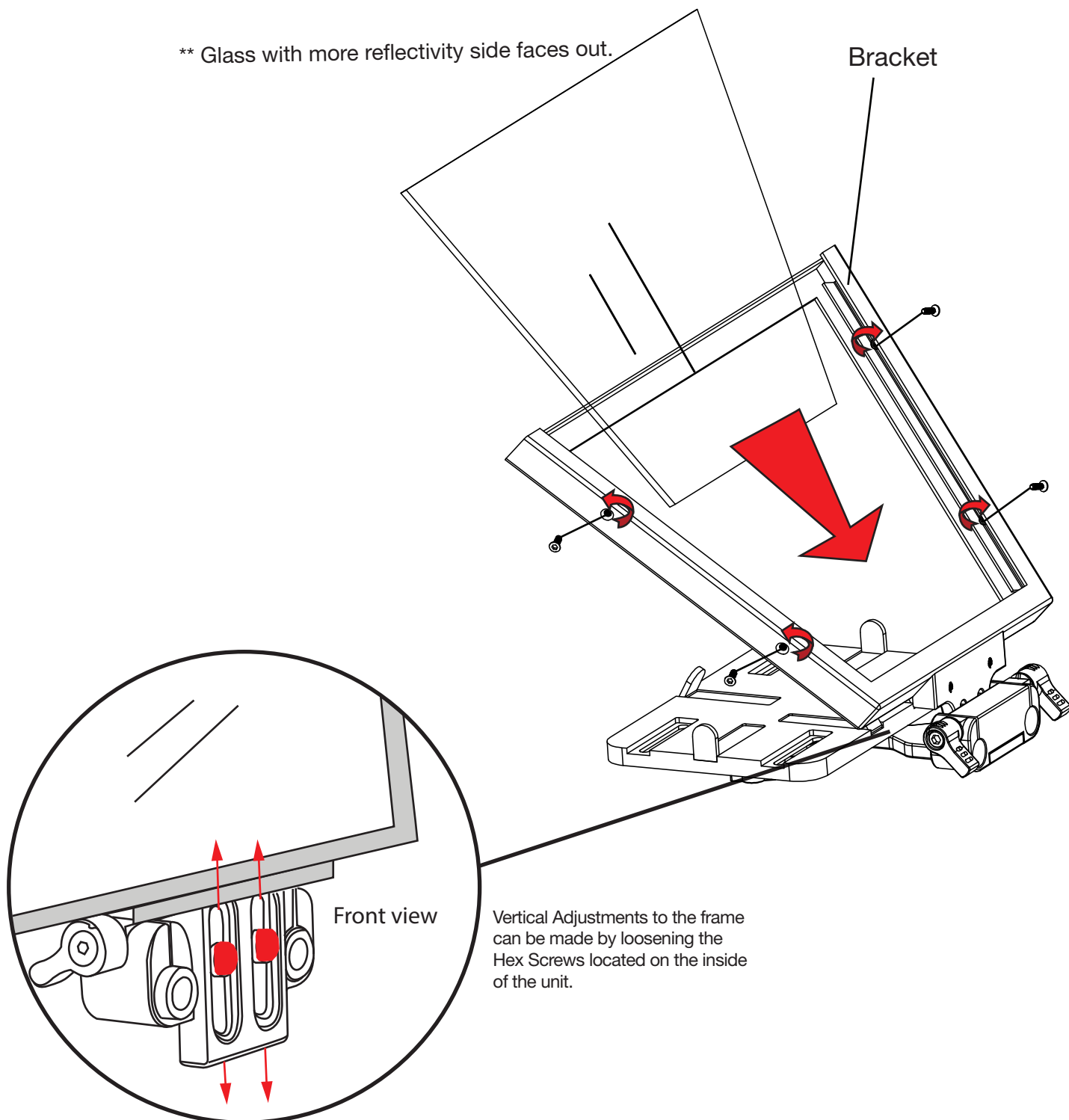
Bottom view of tablet Mount and Frame.

\*\* Align the 2 holes under the tablet Mount to the highlighted sets of holes on PT-AKM-2.

## Universal Large Tablet Teleprompter QUICKSTART GUIDE

2. Remove 4 x small frame screws and 2 x brackets. Insert prompter glass into frame. Secure prompter glass by replacing brackets and screws.

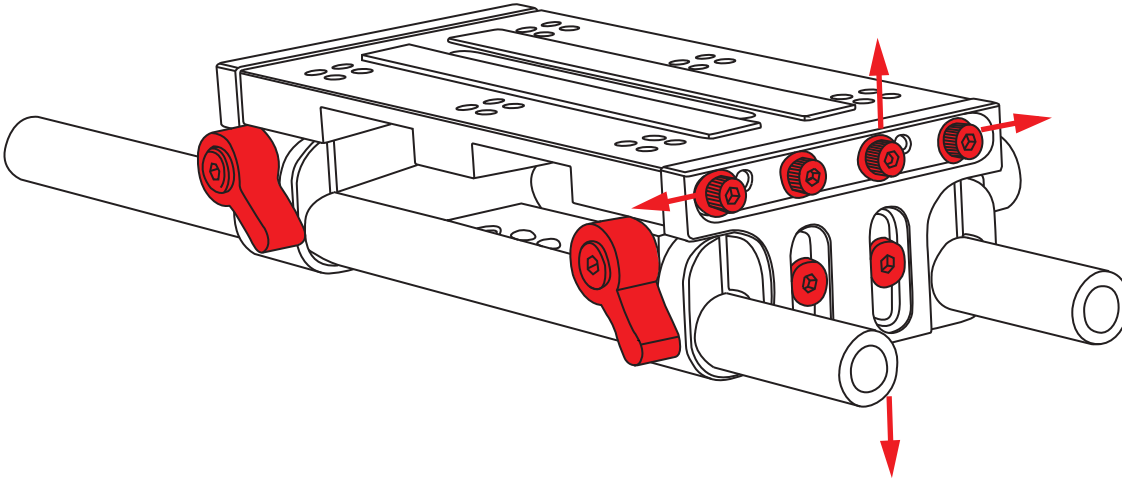
\*\* Glass with more reflectivity side faces out.



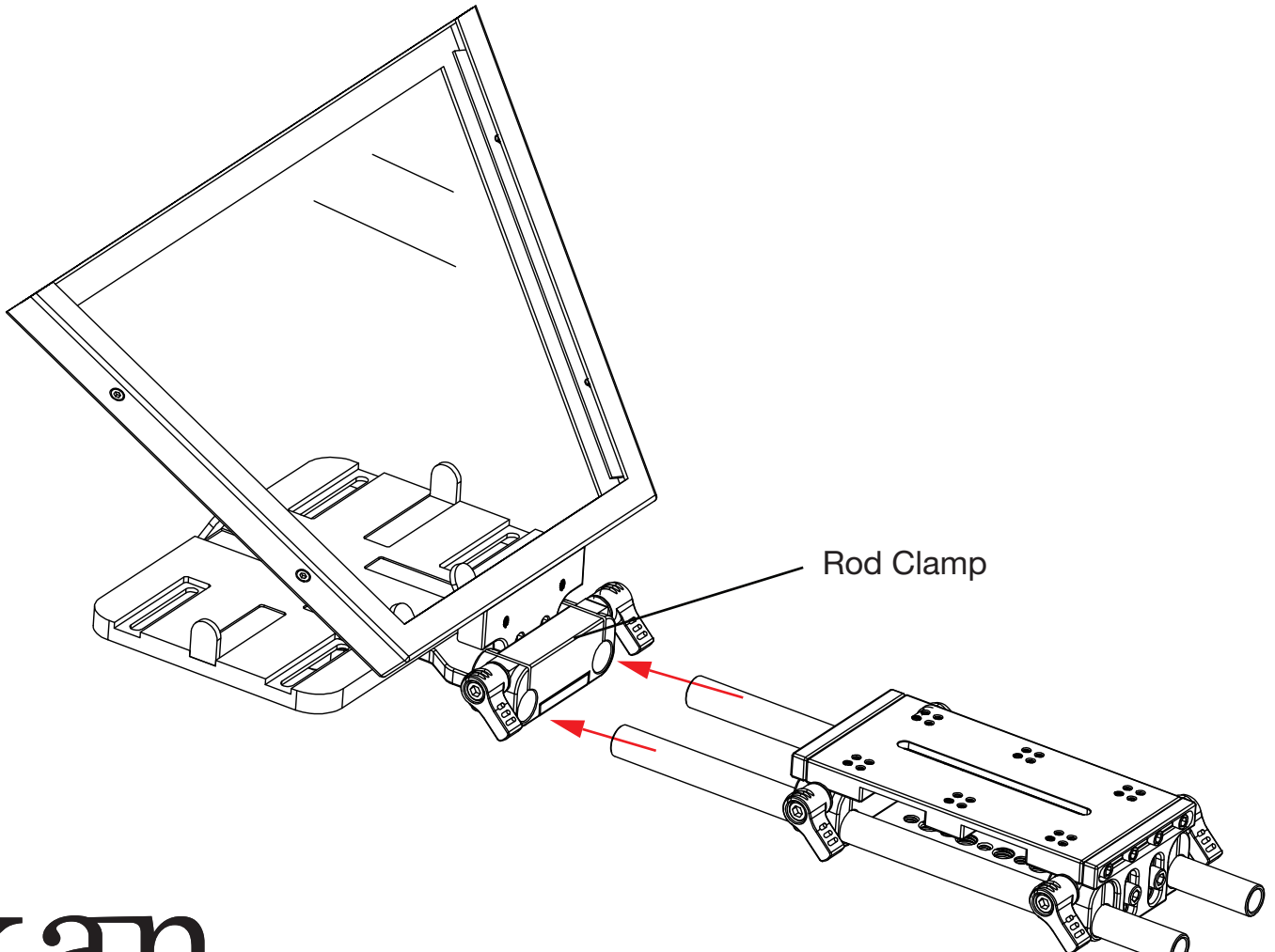
## Universal Large Tablet Teleprompter QUICKSTART GUIDE

### ADJUSTMENT POINTS *(adjust to fit your camera size)*

Numerous Adjustment Points allow for precise positioning modifications. Loosen Thumb Screws to move forward/backwards along 12" Rods. Loosen Hex Screws to make vertical and horizontal adjustments.

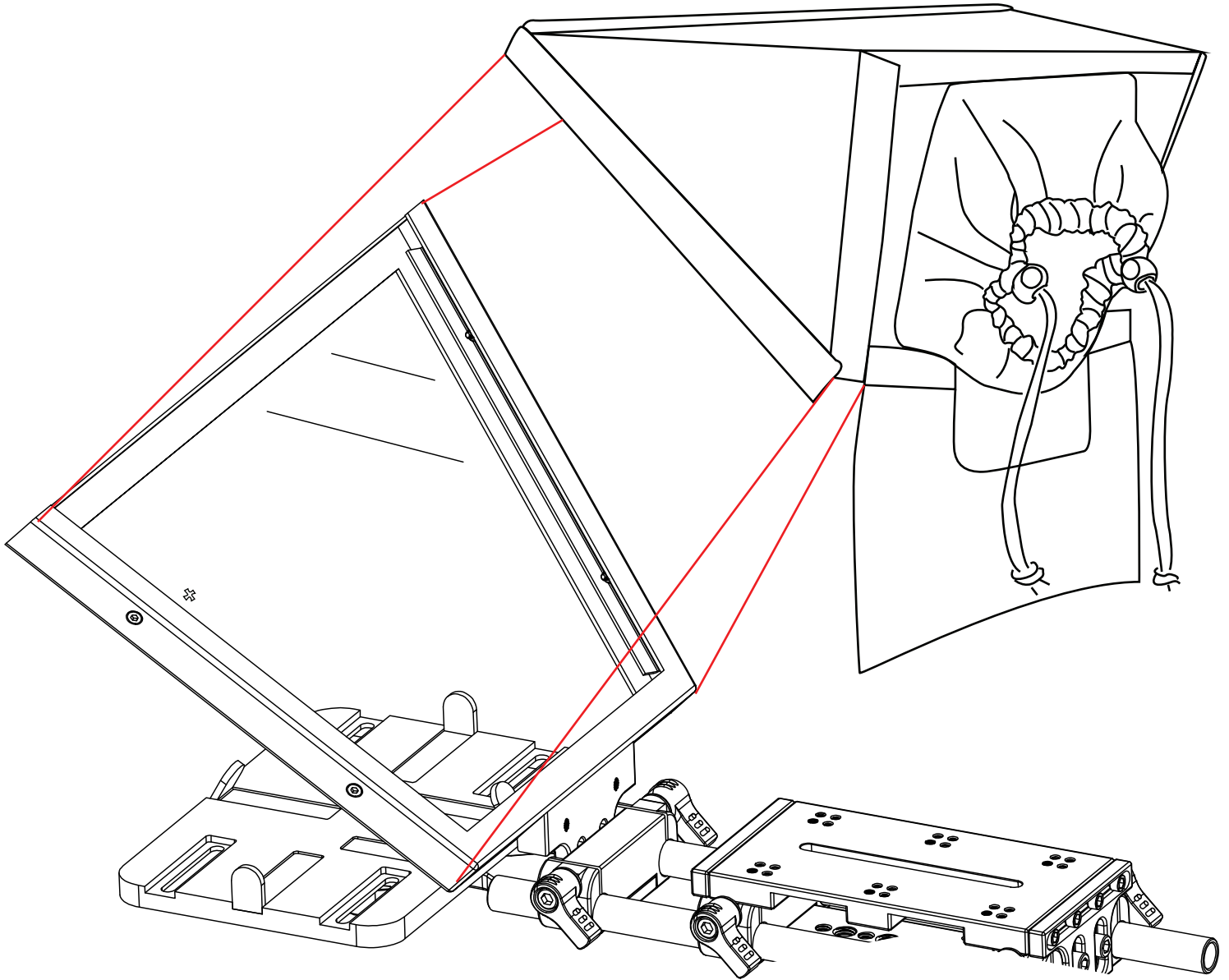


3. Secure Large Baseplate rods to Rod Clamp.



## Universal Large Tablet Teleprompter QUICKSTART GUIDE

4. Attach the magnetic hood to glass frame.



## Universal Large Tablet Teleprompter QUICKSTART GUIDE

### QUICK RELEASE MOUNTING OPTIONS

The ikan Large Baseplate is compatible with both the Canon TA100 and ikan-WDGL Tripod Adapter Systems. Simply mount your Quick Release Plate to the bottom of the Large Baseplate component on the appropriate end, using four (4) Socket Head Countersink Screws.

