

# Technical Manual

# JBL CONTROL 29AV/WH



## SPECIFICATIONS

### ACOUSTIC & ELECTRICAL SPECIFICATIONS:

- Nominal Impedance: 8 ohms
- Power Capacity: 300W Continuous Program  
150W Continuous Pink Noise
- Frequency Range: 40 Hz – 19 kHz (-10dB)
- Sensitivity: 91 dB, 1 Watt @ 1 Meter
- Crossover Frequency: 3rd Order High Pass,  
2nd Order Low Pass With  
Impedance Compensation  
2.5 kHz Crossover

### SYSTEM COMPONENTS:

- Cabinet: C29AV
- Grille: 337703-001, 337841-001 (Wh)
- System DC Resistance: 5.9 ohms
- Low Frequency Transducer: 200mm (8 in.) Kevlar Cone (337646-001)
- DC Resistance: 5.0 ohms
- Transformer Taps: 70V: 110W, 55W, 28W, and 14W  
100V: 110W, 55W, and 28W  
Thru Position 8 ohms Nominal

### SYSTEM COMPONENTS: (Cont'd)

- High Frequency Transducer: 2413H, 25mm (1 in.) Compression Driver, Pure Titanium Diaphragm
- DC Resistance: 3.7 ohms
- Crossover Network/ Terminal Cup: 337686-001  
337692-001

### AURAL SWEEP TEST SPECIFICATIONS:

- A. System Aural Sweep Test: 7.0V Input, 20 Hz to 20 kHz
- B. L.F. Aural Sweep Test: 7.0V Input, 20 Hz to 1 kHz
- C. H.F. Aural Sweep Test: .75V Input, 1.2 kHz to 10 kHz

### PHYSICAL SPECIFICATIONS:

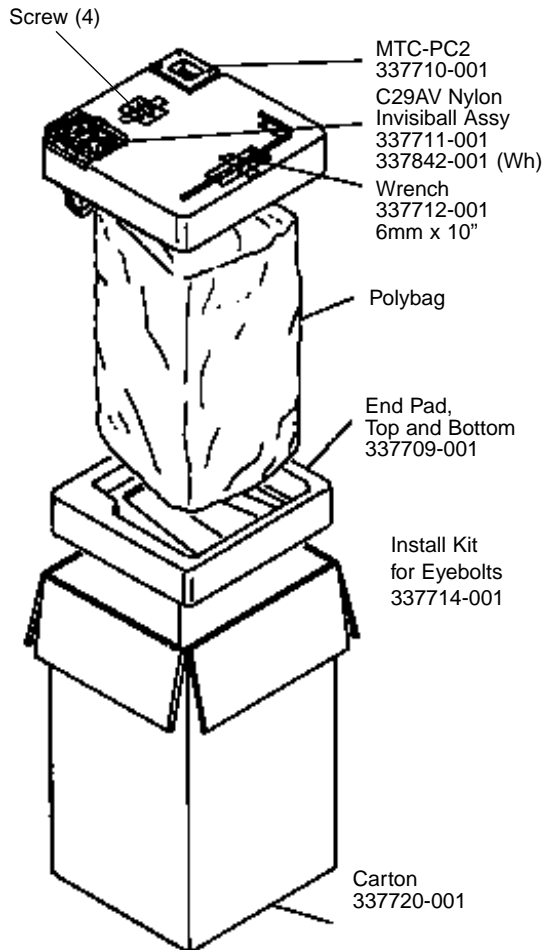
- Enclosure Dimensions: 520mm x 306mm x 277mm D  
(20.5 x 12.0 x 10.9 in. D)
- Shipping Weight: 38.8 lbs. (14.0 kg.)

### WARRANTY INFORMATION:

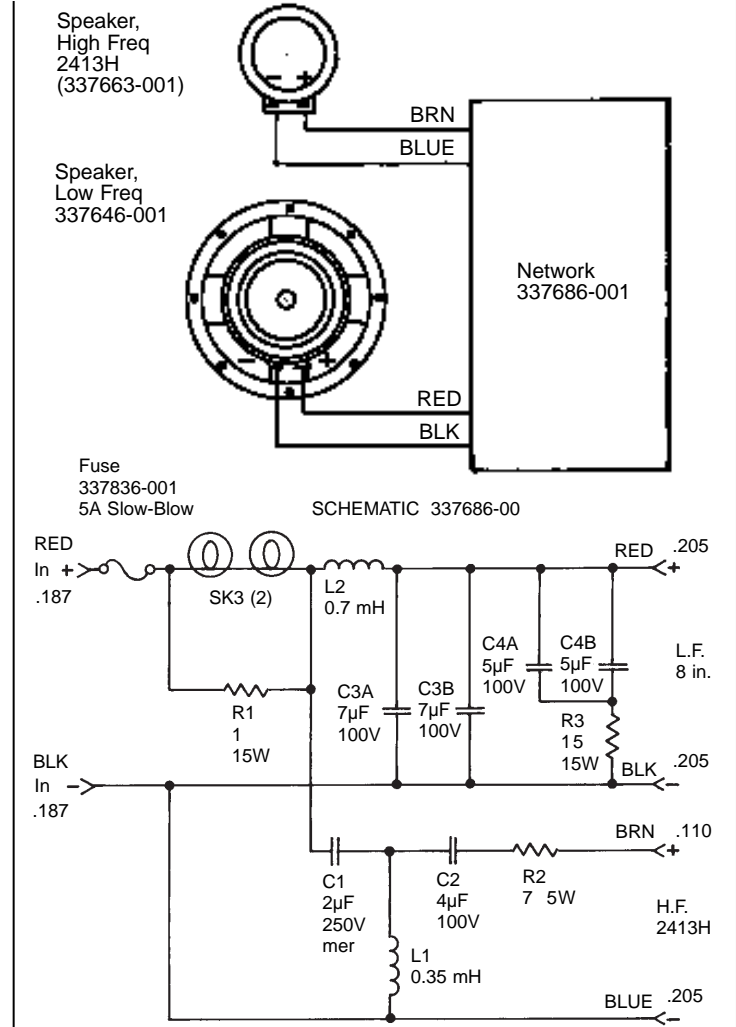
- Refer to Warranty Statement packed with each product.

## PACKAGE

Specification Sheet 337716-001  
Warranty 59660  
Owners Manual 337715-001



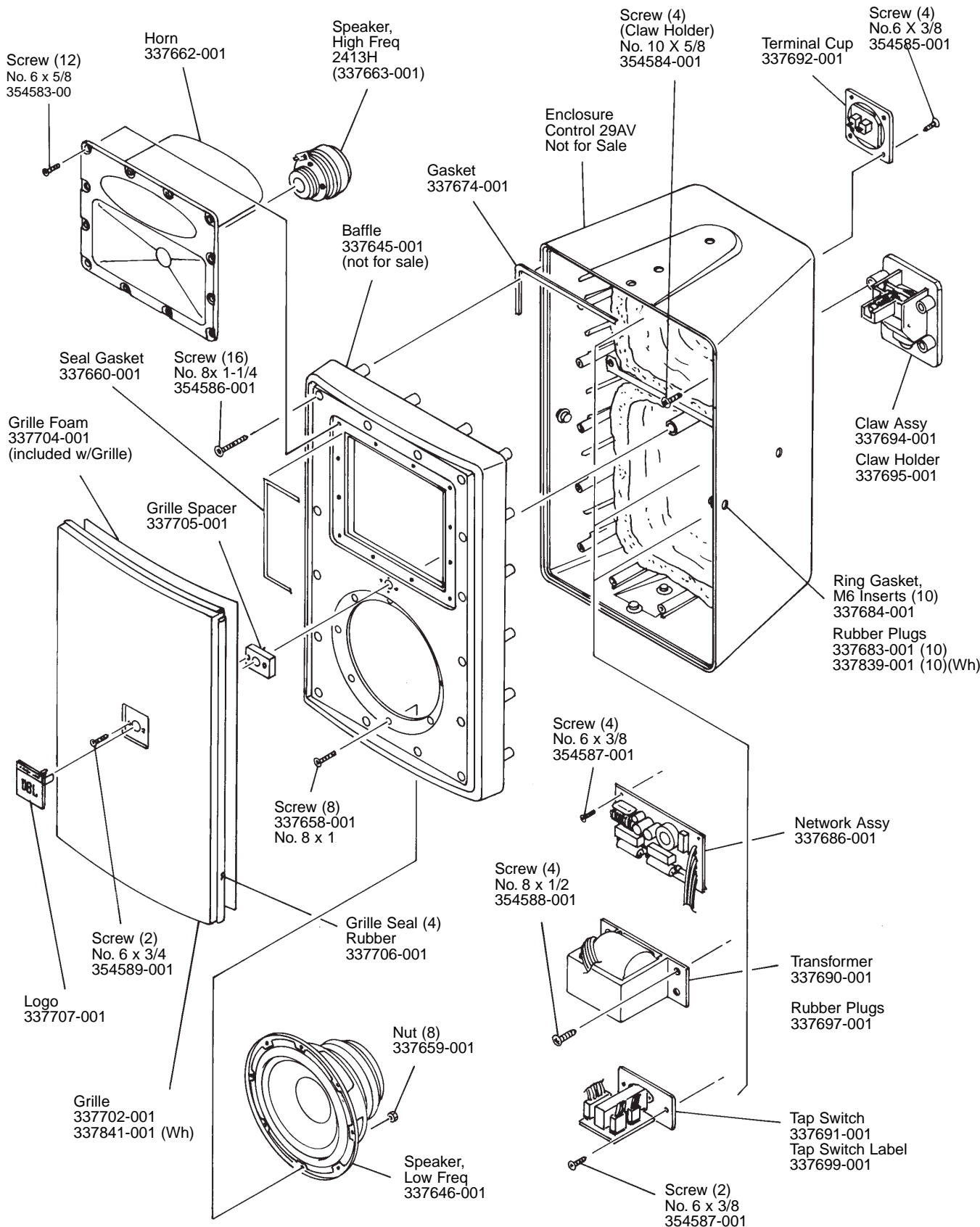
## WIRING DIAGRAM



JBL CONTROL 29AV/WH REV K

# JBL CONTROL 29AV/WH

## COMPONENT EXPLODED VIEW



JBL CONTROL 29AV/WH