

Technical Manual



JBL JRX225

SPECIFICATIONS

ACOUSTIC & ELECTRICAL SPECIFICATIONS:

- Nominal Impedance: 4 Ohms
- Power Capacity: 500W, 2000W Peak Power Capacity
- Frequency Response (± 3 dB): 62 Hz – 13 kHz
- Frequency Range (-10 dB): 42 Hz – 18 kHz
- Maximum SPL: 133 dB
- Crossover Frequency: 2.2 kHz

SYSTEM COMPONENTS:

- Cabinet: Enclosure (Not For Sale)
- Grille: 5033401
- Low Frequency Driver: Two M115-8A, 380 mm (15 in.) Cone Transducer
- D.C. Resistance: 5.3 ohms

SYSTEM COMPONENTS: (CONT'D)

- High Frequency Driver: 2414H-C, 25 mm (1 in) exit compression driver mounted on Progressive Transition™ Waveguide
- D.C. Resistance: 4.80 ohm +/- 0.2 ohm

AURAL SWEEP TEST SPECIFICATIONS:

- A. System Aural Sweep Test: 7.0V Input, 40 Hz to 20 kHz
- B. L.F. Aural Sweep Test: 6.0V Input, 20 Hz to 200 Hz
- C. H.F. Aural Sweep Test: 0.75V Input, 500 Hz to 1.5 kHz

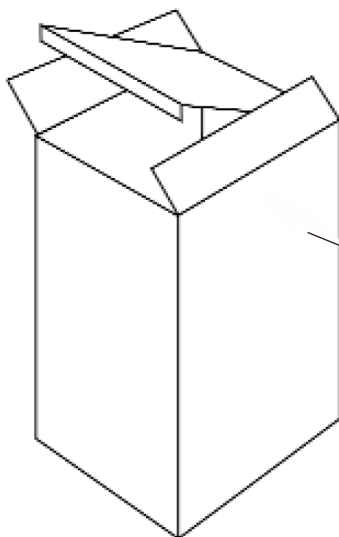
PHYSICAL SPECIFICATIONS:

- Enclosure Dimensions: 1092 mm x 464 mm x 432 mm (43 in x 18.3 in x 17 in)
- Net Weight: 42.6 kg (94 lb)

WARRANTY INFORMATION:

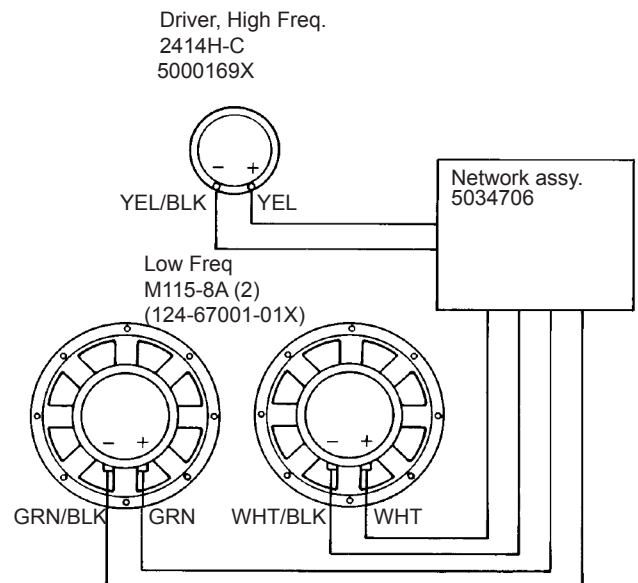
- Refer to Warranty Statement posted on line

PACKAGE



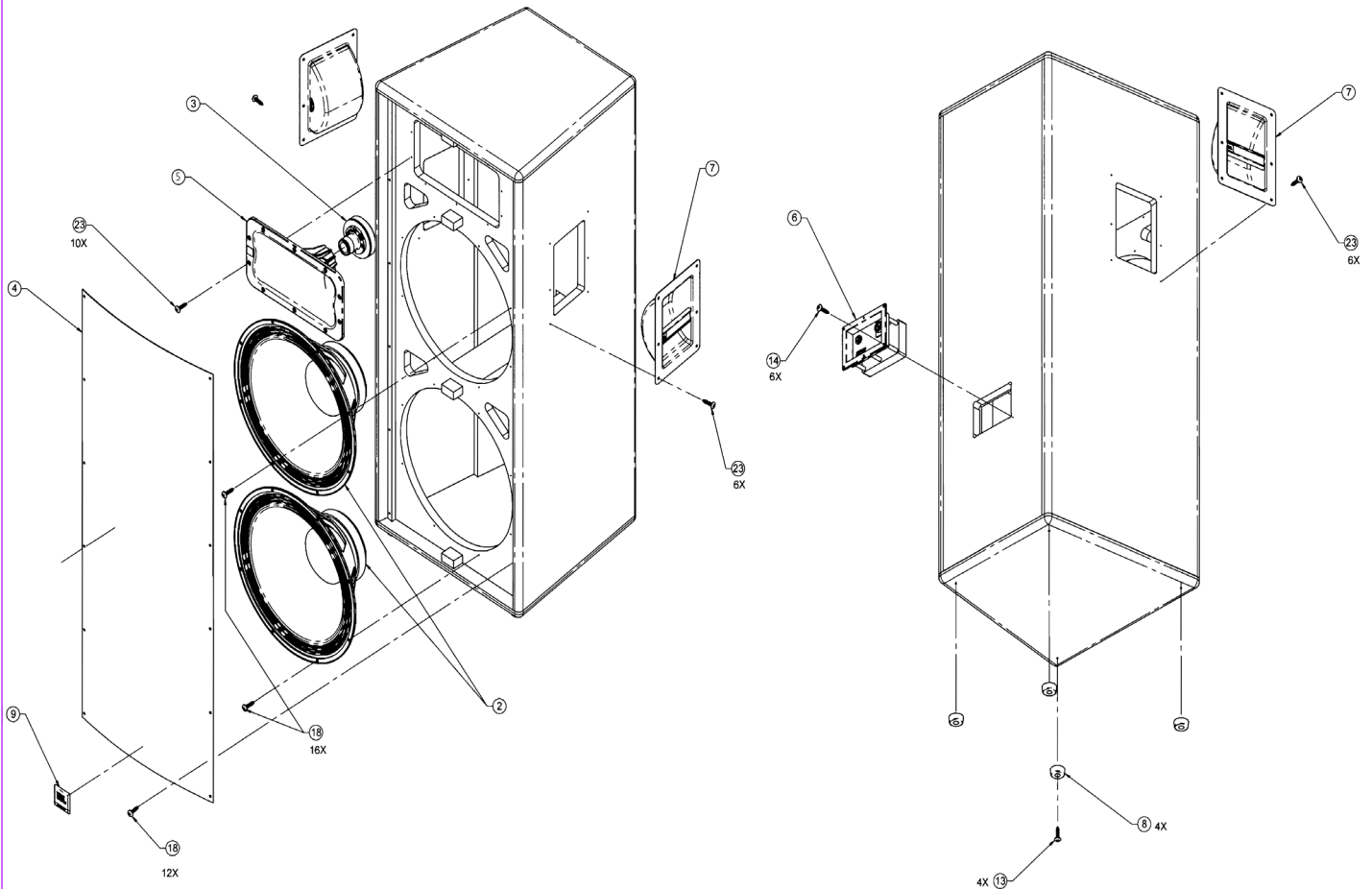
- Quick set-up guide 5034662
- Carton 5034660
- Filler (2) 339021-001
- Microfoam (4) 49790P
- Insert (1) 445549-001

WIRING DIAGRAM



JBL JRX225

COMPONENT EXPLODED VIEW



COMPONENT PARTS LIST:

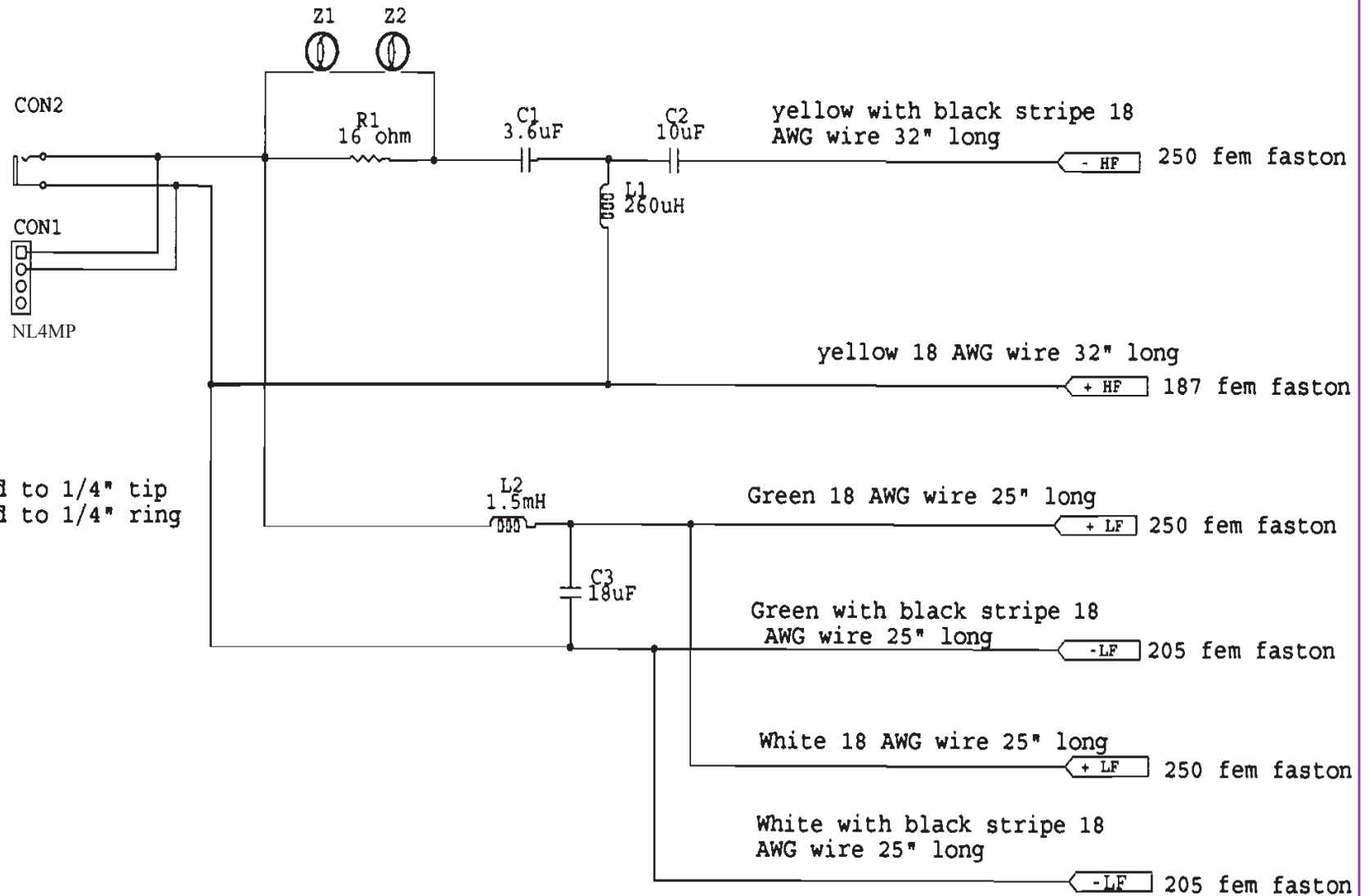
Item	Part No.	Qty	Description
2	124-67001-01X	2	M115-8A WOOFER
3	5000169X	1	M/I, 2414H-C
4	5033401	1	GRILLE
5	338800-001	1	HORN
6	5034706	1	NETWORK ASSY
7	339018-003	2	HANDLE ASSY, WITHOUT LABEL
8	924-00002-01	4	FOOT
9	5007401	1	LOGO BADGE

Item	Part No.	Qty	Description
13	729-90001-16	4	SCR, #12X1, THR FORMING, FLT HD, PH, TY
14	882-51110-12	6	SCR, 6 X 3/4,OV,PH,PTCL,BLK ZC,LCS
18	883-41110-16	28	SCR,8 X 1,PAN,PH,PB,BLK ZINC,LCS
23	883-41110-12	22	SCR,8 X 3/4,PAN,PH,PB,BLK ZINC,LCS

JBL JRX225

JBL JRX225

NETWORK SCHEMATIC 5034706



NL4
Pin +1 connected to 1/4" tip
Pin -1 connected to 1/4" ring
Pin +2, -2 NC