



CellTap 4C™
Wireless Phone Audio Tap
User Guide

JK Audio

Welcome

Thank You

Thank you for purchasing the JK Audio CellTap 4C™. Please read this guide for instructions on using it.

Getting Assistance

If you have technical or application questions:

In the US & Canada, call us toll free at: **800-552-8346**

All other countries dial: **815-786-2929**
(M-F 8:30-5:00pm Central Time Zone)

Email us at: support@jkaudio.com

Or, check out our FAQ section for answers to common questions.

Limited Warranty

CellTap 4C is covered by a 2 year warranty to be free from defective workmanship and materials. To obtain service, contact JK Audio by phone or email for return authorization. Once authorized, you will carefully pack and ship the faulty product and all accessories to us. You will pay for shipping to us and we will pay for return back to you.

This warranty does not cover damages due to accident, weather, fire, flood, earthquake, misuse, unauthorized repairs or modifications, or damages occurred in shipping, only defective workmanship or materials.

There are no expressed or implied warranties which extend beyond the warranty here made.

Safety Precautions

RF Noise

Wireless phones generate substantial radio frequency (RF) noise during a call which can easily leak into audio cables or equipment. Be sure to keep the wireless phone 1-2 feet away from any audio cables or equipment. It is also important to keep the wireless adapter cord away from any other audio cords.

Road Safety

Never use headphones while driving or cycling, etc. It can be dangerous to turn up the volume even while walking. Doing so may hinder your hearing and can be hazardous on the roadways or at pedestrian crossings.



WARNING!

There are many laws that prohibit the recording of telephone conversations without prior consent from both parties. Be sure to check the laws in your area.

Note: While CellTap 4C was designed to be very rugged and durable, it is not waterproof and care should be taken to keep the unit dry.

Contents

Setup	vi
Overview	1
Configuration	2
FAQs	4
Technical Information	5

Features

HD Voice*

3.5 mm TRRS Headset Jack

3.5 mm TRRS Cable to Device

3.5 mm TRS Stereo Mic Level Output
to Recorder

Screwdriver Caller Level adjustment

Switch Selects Between Popular
TRRS Configurations

Passive, no AC or Battery
Power Needed

* HD Voice.

While standard phone calls have a narrow bandwidth of 300 Hz to 3.4 kHz, HD Voice calls offer 50 Hz to 7 kHz bandwidth. The additional 1.5 octaves on the low end gives voice a more natural sound, while the additional upper octave dramatically improves speech clarity and intelligibility.

To take advantage of this extended bandwidth, both phones on the call must support HD Voice, and both phones must be on the same carrier, in coverage areas that support HD Voice.

Setup



Connect to your smart phone using the supplied CN150.

Connect your earbud headset.

Connect to a laptop, recorder, mixer or PA system with a 3.5mm stereo cable.

Introducing CellTap 4C

CellTap 4C™ is an interview-recording adapter that connects between your existing earbuds/headset and cell phone, providing stereo output to a recorder or mixer.

CellTap 4C™ is compatible with most smart phones, tablets, and notebooks that use the 3.5 mm 4-conductor TRRS headset jack. Simply connect CellTap 4C between your existing ear-bud headset and phone, and then connect the stereo output to a mic level input on your recorder or mixer. The transformer coupled stereo output provides the local mic on the left channel and the caller on the right channel. Local audio is a full bandwidth connection, meaning your voice will sound considerably better than the caller. Of course, audio quality is limited by the quality and placement of the microphone on the ear-bud style headset.

CellTap 4C™ will not interfere with headset button controls on most devices. A headset is required for operation, as the phone will not recognize CellTap 4C without a headset connected.

Configuration

TRRS Configurations

If the headset is not working properly, try changing the TRRS configuration. To switch the standard, disconnect all cables, open up your CellTap 4C by removing the cover, flip the switch and close it back up. The internal switch supports the following wiring standards:

	Standard	T	R1	R2	S
A:	OMTP	Left Output	Right Output	Mic	Ground
B:	AHJ (Default)	Left Output	Right Output	Ground	Mic
C:	AHJ (Alternate)	Left Output	Right Output	Ground	Mic

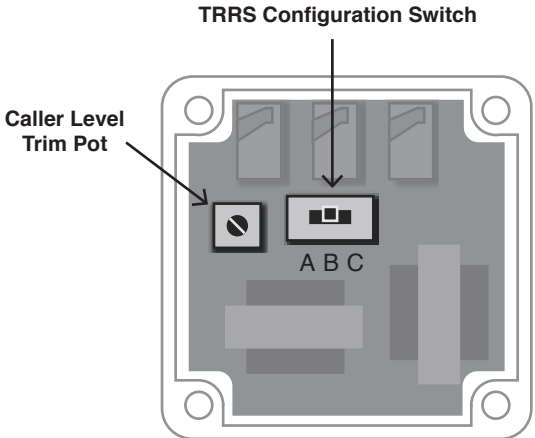
OMTP: Open Mobile Terminal Platform, **AHJ:** American Headset Jack.

The A setting is wired for the Original Nokia standard. The B and C settings are wired the same and are used on most phones. The C setting reduces noise on many Smartphones. However, this position may potentially disable music/phone controls on the iPhone and other phones. Use (default) Position B for the iPhone or any phone or device that experiences trouble with music/phone controls under position C.

Phones are continuously changing so trial and error may be the best method to determine which position is best for your particular phone.

Caller Level Trim Pot

Caller Level Trim Pot adjusts the level of Caller audio on your recordings. This adjustment lets you more closely match the level of your voice to the caller's voice. This ratio will likely remain the same after the initial adjustment.



FAQs

Will CellTap 4C work with any cell phone?

CellTap 4C has been tested with many popular brands and model phones that use the 3.5 mm 4-conductor TRRS style headset. However, there are no industry standards, so we cannot promise compatibility with any brand or model phone.

I am getting noise on my recordings. How can I stop this?

Some phones simply generate too much Radio Frequency (RF) energy to allow a clean recording. In some cases, even a phone that normally produces little or no noise on a recording may produce higher levels of noise due to the environment. A wireless phone must increase its transmit power when signal strength weakens. This may occur in vehicles and large buildings, as well as rural areas.

- 1) Check the User Guide for instructions on adjusting the internal headset type switch.
- 2) Try positioning cables and your recorder away from the phone.

Specifications

Output

1/8" (3.5mm) Stereo:	600 ohms, 2.4 mV RMS (-50 dBu nom.)
----------------------	-------------------------------------

MISC

Size:	2" x 2" x 1.3" (5.1 x 5.1 x 3.3 cm)
-------	-------------------------------------

Weight:	3.5 oz
---------	--------

CellTap 4C™

Wireless Phone Audio Tap



User Guide Version 5/12/15

JK Audio, Inc.

1311 E 6th St.

Sandwich, IL 60548

United States

Telephone: 815.786.2929

Toll Free: 1.800.jkaudio

Fax: 815.786.8502

www.jkaudio.com

© 2015 JK Audio, Inc. All rights reserved.

JK Audio