

## The Kramer T-2INSERT Optional Insert Kit

Congratulations on purchasing your Kramer **T-2INSERT** Optional Insert Kit. The **T-2INSERT** Optional Insert Kit lets you add 2 more inserts to the TBUS configuration instead of a power socket, thus providing you with additional design flexibility.

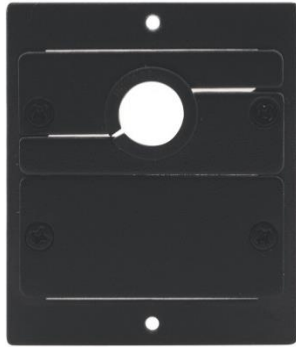


Figure 1: T-2INSERT Optional Insert Kit (P/N: 80-00006699).

### Installing the T-2INSERT Optional Insert Kit

**Step 1:** fit the **T-2INSERT** into the TBUS frame opening.

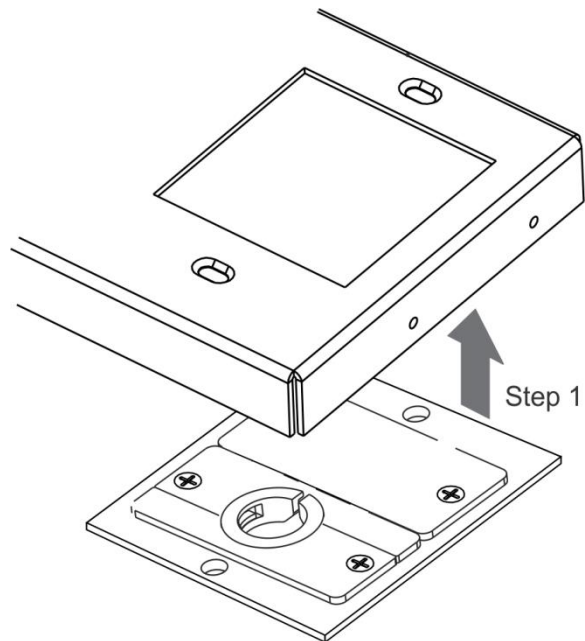


Figure 2: Fit the **T-2INSERT** – Step 1.

**Step 2:** fasten the **T-2INSERT** to the TBUS frame with the two screws.

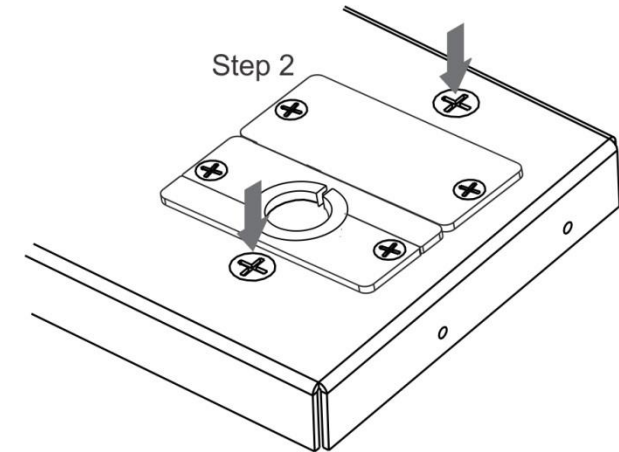


Figure 3: Fasten the **T-2INSERT** to the TBUS frame – Step 2.

**Step 3:** optionally, change a panel of the **T-2INSERT**, by removing the two screws from the panel.

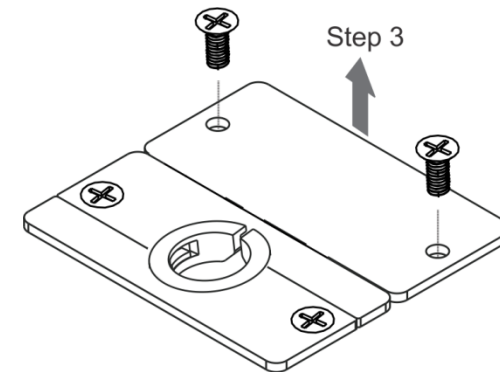


Figure 4: Optionally, change a panel – Step 3.

MODEL:

## **T-2INSERT** Optional Insert Kit


For the latest information on our products and a list of Kramer distributors, visit our Web site where updates to this user manual may be found.

**We welcome your questions, comments, and feedback.**

Web site: [www.kramerav.com](http://www.kramerav.com)

E-mail: [info@kramerel.com](mailto:info@kramerel.com)



 **SAFETY WARNING**  
Disconnect the unit from the power supply before opening and servicing



P/N: 2900-300169



Rev: 2

P/N: 2900-300169 Rev 2



KRAMER ELECTRONICS LTD.

# Installation Instructions